



US00D881245S

(12) **United States Design Patent**
Zheng et al.

(10) **Patent No.:** **US D881,245 S**
(45) **Date of Patent:** **** Apr. 14, 2020**

- (54) **VACUUM SEALER**
- (71) Applicant: **ZHEJIANG QUNHAI ELECTRONIC TECHNOLOGY CO., LTD.**, Wenzhou (CN)
- (72) Inventors: **Jinguan Zheng**, Wenzhou (CN); **Jisuo Jiang**, Wenzhou (CN)
- (73) Assignee: **ZHEJIANG QUNHAI ELECTRONIC TECHNOLOGY CO., LTD.**, Wenzhou (CN)

- D706,846 S * 6/2014 Rim D15/145
- D731,967 S * 6/2015 Tuhkanen D13/108
- D733,888 S * 7/2015 Tuhkanen D24/167
- D763,334 S * 8/2016 Yoshitomi D15/146
- D777,248 S * 1/2017 Oguchi D18/50
- D788,199 S * 5/2017 Owens D15/146
- D789,431 S * 6/2017 Owens D15/146

(Continued)

FOREIGN PATENT DOCUMENTS

CA 2899425 A1 * 7/2014 B65B 31/048

OTHER PUBLICATIONS

Vacuum Sealer Machine, posted on amazon.com, first available Jan. 15, 2019, no production date given, [online], [site visited May 14, 2019], Available from Internet, URL: <https://www.amazon.com/Vacuum-Sealer-Machine-Automatic-Preservation/dp/B07MTWKM9Z/> (Year: 2019).*

Primary Examiner — Michael C Stout
Assistant Examiner — Fritzgerald L Butac
(74) *Attorney, Agent, or Firm* — Platinum Intellectual Property LLP

- (**) Term: **15 Years**
- (21) Appl. No.: **29/639,769**
- (22) Filed: **Mar. 8, 2018**
- (51) **LOC (12) Cl.** **15-99**
- (52) **U.S. Cl.**
USPC **D15/146**
- (58) **Field of Classification Search**
USPC D10/46, 104.1; D14/172, 420–425, 462, D14/496, 509; D15/145, 146
CPC B65B 31/06; B29C 66/00145; B29C 66/1122; B29C 66/43121; B29C 66/8324
See application file for complete search history.

(57) **CLAIM**

The ornamental design for a vacuum sealer, as shown and described.

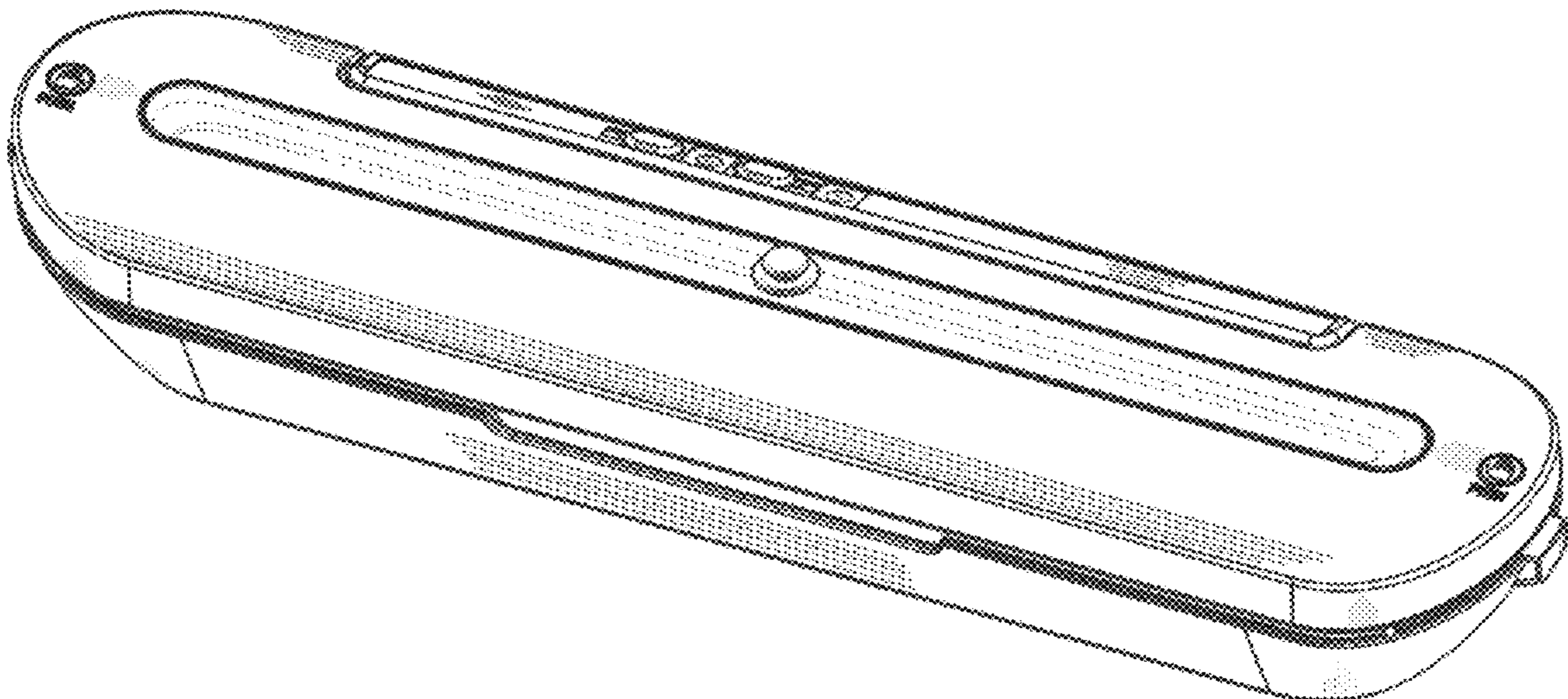
(56) **References Cited**
U.S. PATENT DOCUMENTS

- D342,532 S * 12/1993 Deni D15/146
- D389,847 S * 1/1998 Huang D15/146
- D515,601 S * 2/2006 Sholzberg D15/146
- D544,907 S * 6/2007 Tjin Wong Joe D18/55
- D579,938 S * 11/2008 Romanoff D14/422
- D597,572 S * 8/2009 Tsai D15/146
- D608,803 S * 1/2010 Hageman D15/146
- D633,118 S * 2/2011 Beatty D15/146
- D658,694 S * 5/2012 Day D15/146
- D686,212 S * 7/2013 Yamano D14/422
- D690,304 S * 9/2013 Lim D14/422
- D694,793 S * 12/2013 Cumming D15/146
- D694,794 S * 12/2013 Cumming D15/146

DESCRIPTION

FIG. 1 is a top perspective view of a vacuum sealer, showing the design.
FIG. 2 is a front side view thereof;
FIG. 3 is a rear side view thereof;
FIG. 4 is a top plan view thereof;
FIG. 5 is a bottom plan view thereof;
FIG. 6 is a first side view thereof; and,
FIG. 7 is a second side view thereof.
The broken lines show portions of a vacuum sealer that form no part of the claimed design.

1 Claim, 3 Drawing Sheets



(56)

References Cited

U.S. PATENT DOCUMENTS

D793,362 S *	8/2017	Fischer	D14/214
D797,703 S *	9/2017	Boyd	D14/216
D812,591 S *	3/2018	Hu	D14/214
D820,905 S *	6/2018	Wan	D18/50
D823,831 S *	7/2018	Kim	D14/215
D823,832 S *	7/2018	Kim	D14/215
D823,913 S *	7/2018	Chou	D15/146
D825,527 S *	8/2018	Won	D14/215
D826,877 S *	8/2018	Kim	D14/125
D826,891 S *	8/2018	Kim	D14/204
D836,607 S *	12/2018	Kim	D14/216
D845,952 S *	4/2019	Egami	D14/422
D847,226 S *	4/2019	Owens	D15/134
2007/0199283 A1 *	8/2007	Sung	B65B 31/046 53/512
2019/0055042 A1 *	2/2019	Leppert	B65B 51/146

* cited by examiner

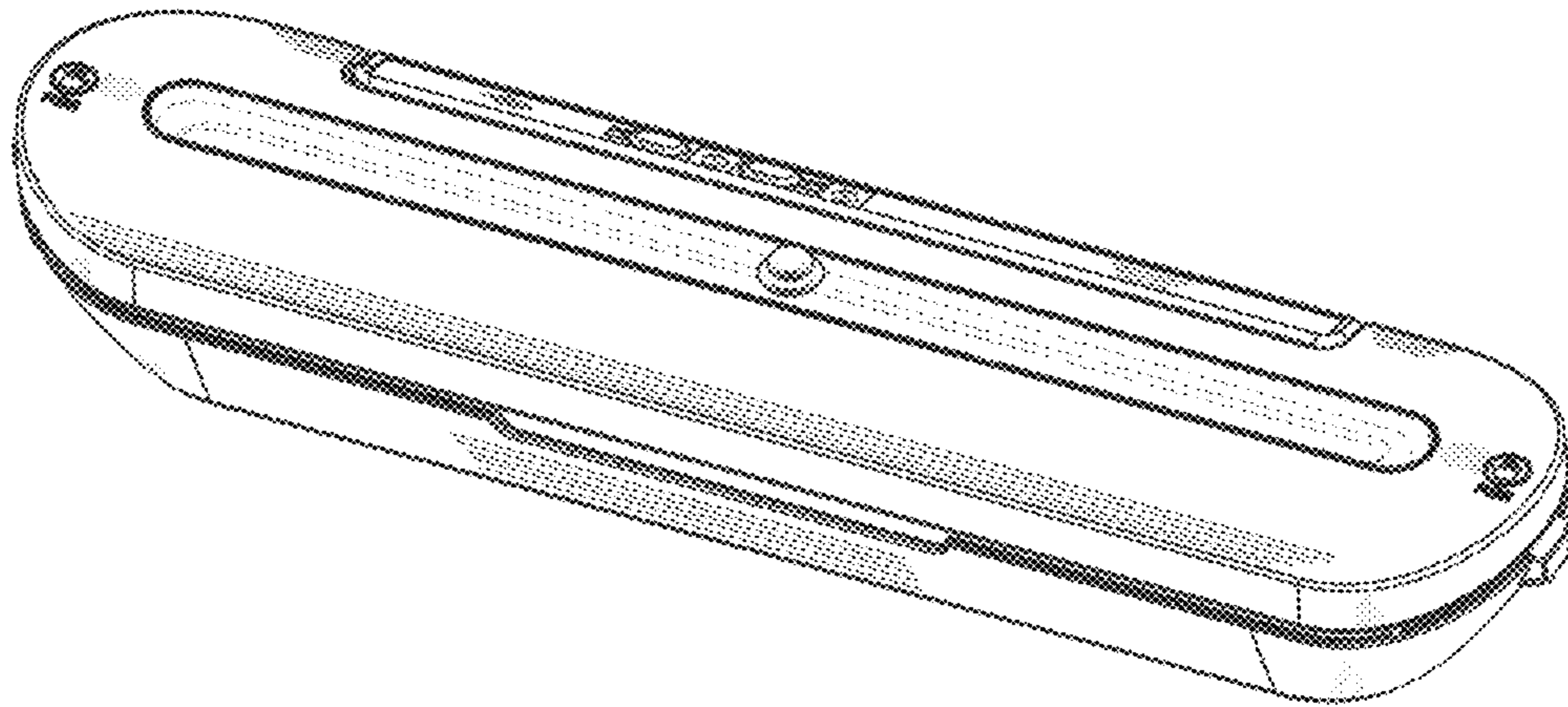


Fig.1

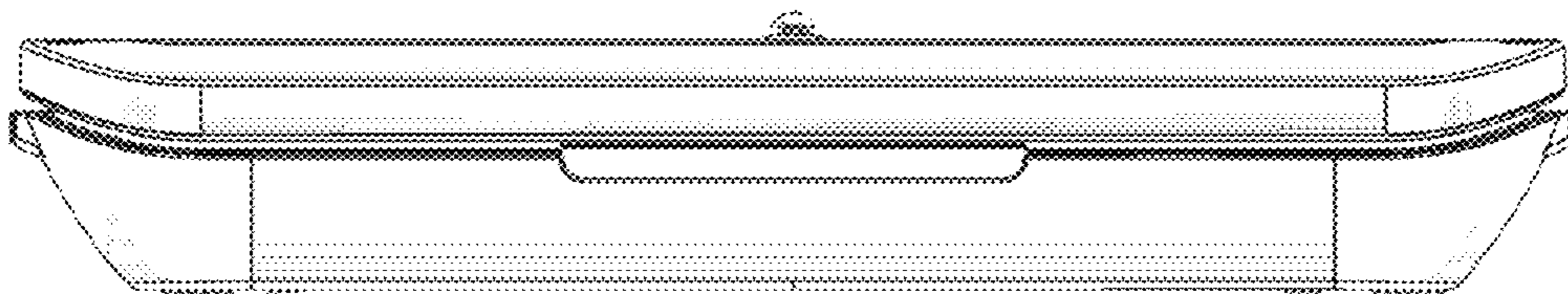


Fig.2

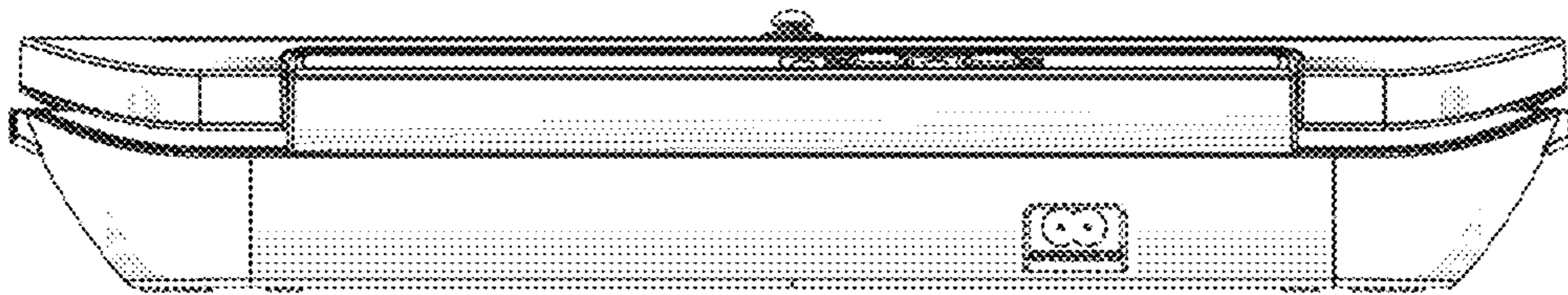


Fig.3

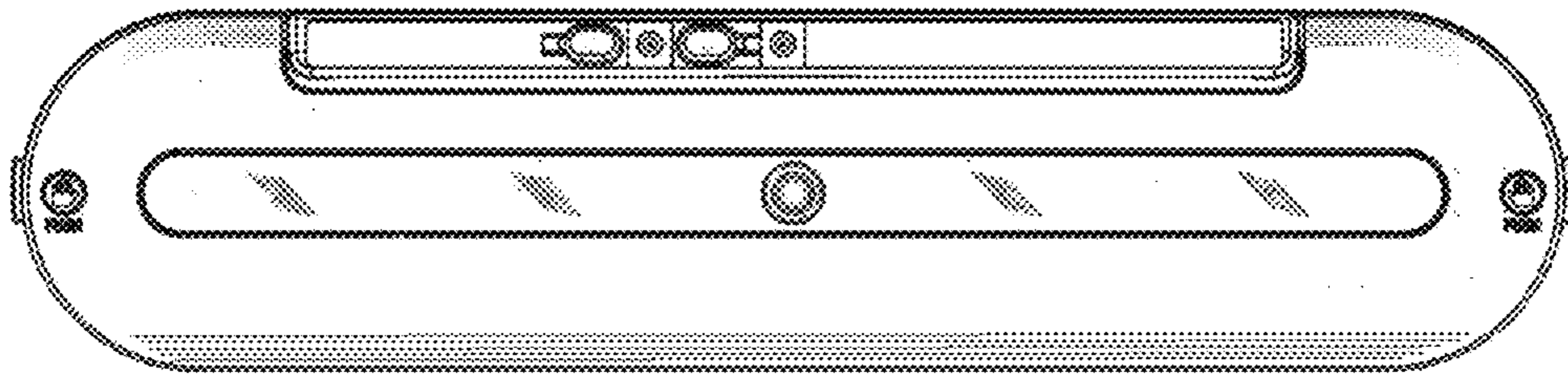


Fig.4

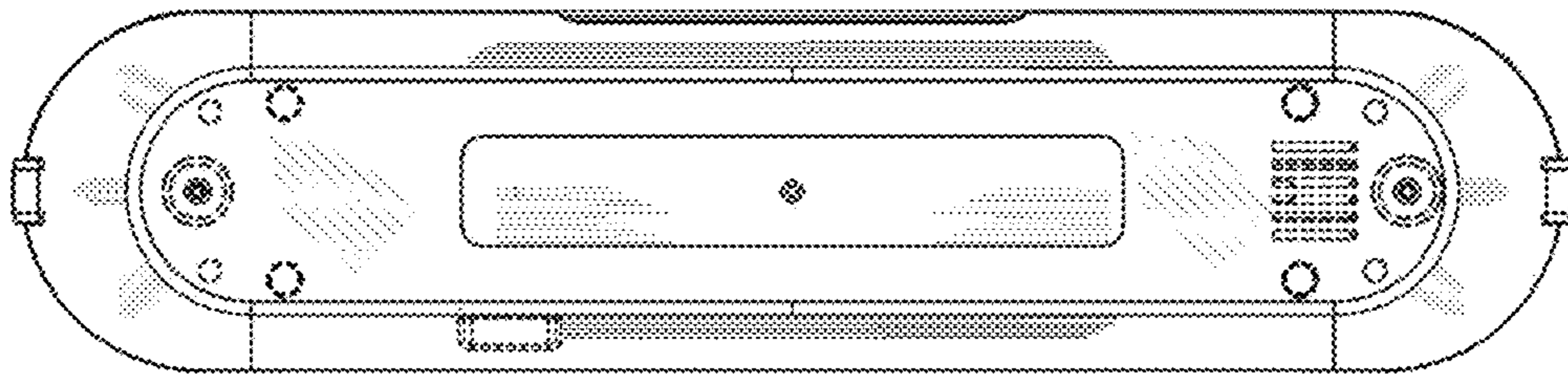


Fig.5

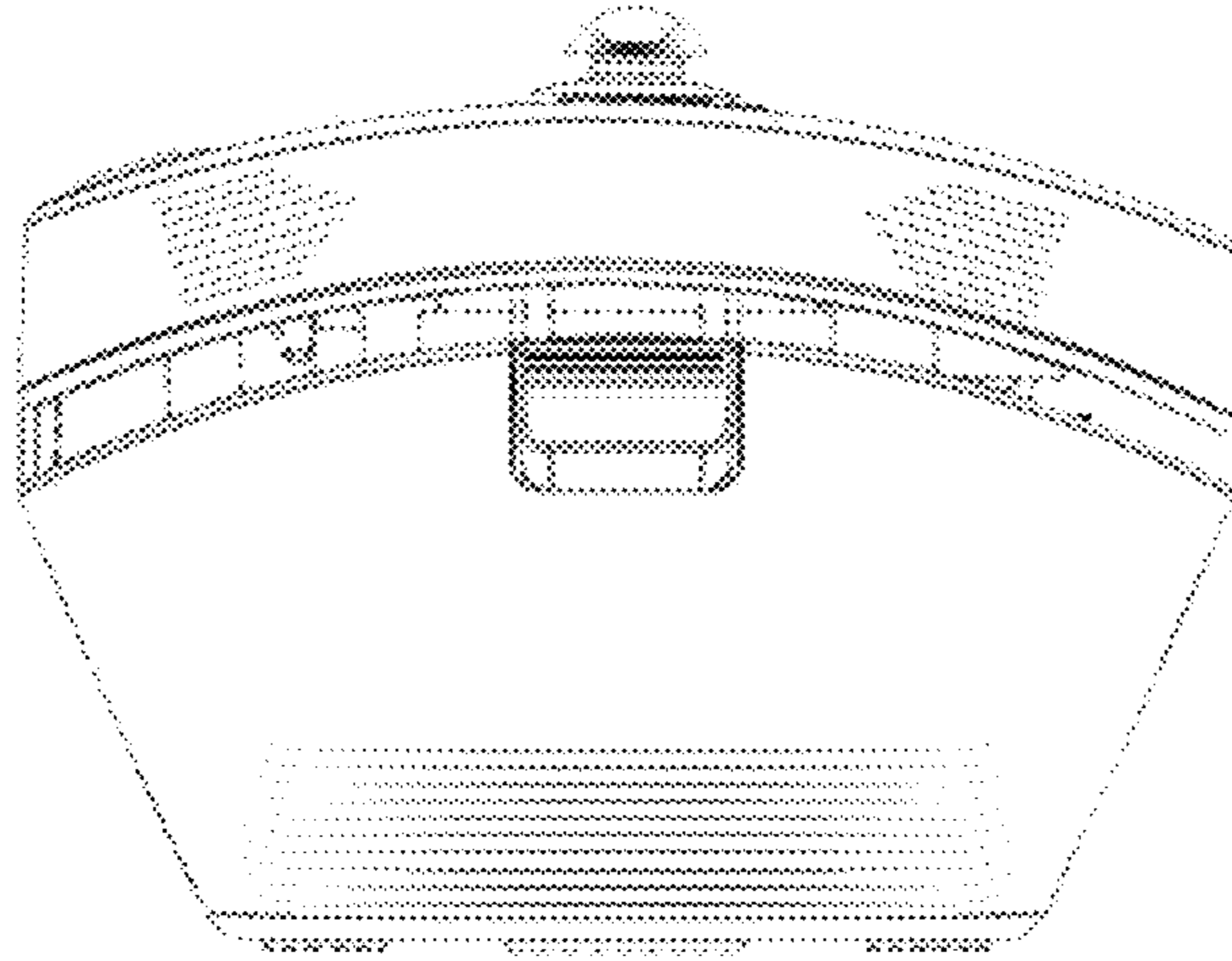


Fig.6

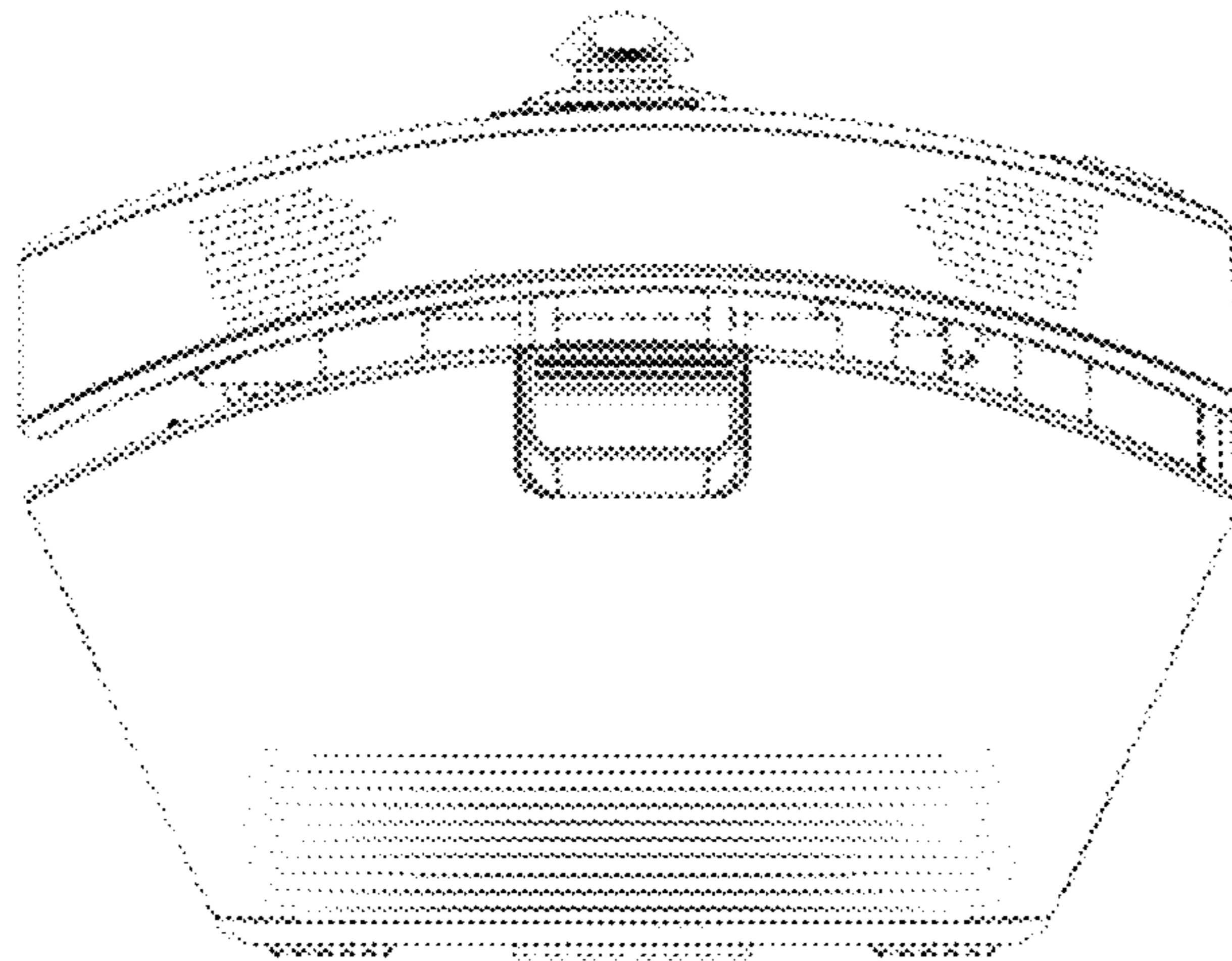


Fig.7