



US00D881244S

(12) **United States Design Patent**
Yu Chen

(10) **Patent No.:** **US D881,244 S**
(45) **Date of Patent:** **** Apr. 14, 2020**

(54) **PAPER DISPENSER**

(71) Applicant: **Hsiu-Man Yu Chen**, Taichung (TW)

(72) Inventor: **Hsiu-Man Yu Chen**, Taichung (TW)

(**) Term: **15 Years**

(21) Appl. No.: **29/672,928**

(22) Filed: **Dec. 10, 2018**

(51) **LOC (12) Cl.** **15-03**

(52) **U.S. Cl.**
USPC **D15/145**

(58) **Field of Classification Search**
USPC D15/145, 146
CPC B31B 2241/001; B31B 50/26; B31B
2100/0026; B31B 2155/002; B31B
2160/10; B31B 50/14; B31B 50/86; B31B
70/142; B31B 70/642; B31B 70/984;
B31B 70/988; B65B 67/1227; B65B
67/1266; B65B 13/185; B65B 21/24;
B65B 3/04; B65B 43/10; B65B 61/186;
B65B 61/20; B65B 67/1205

See application file for complete search history.

(56) **References Cited**

U.S. PATENT DOCUMENTS

D202,577 S	*	10/1965	Roach et al.	D15/145
D400,219 S	*	10/1998	Mercier	D15/145
D677,293 S	*	3/2013	Andersson	D15/148
D698,836 S	*	2/2014	Rim	D15/145
D699,274 S	*	2/2014	Nelson	D15/145

D717,848 S	*	11/2014	Henry	D15/145
D780,242 S	*	2/2017	Hamayde	D15/145
D798,352 S	*	9/2017	Si	D15/145
D833,493 S	*	11/2018	Nelson	D15/145
D837,850 S	*	1/2019	Longo	D15/145
D858,589 S	*	9/2019	Chinalapalli Patta	D15/122
D864,263 S	*	10/2019	Hou	D15/122
2012/0329629 A1	*	12/2012	Wetsch	B31D 5/006 493/464

* cited by examiner

Primary Examiner — Khawaja Anwar

(74) *Attorney, Agent, or Firm* — Bruce Stone LLP;
Joseph A. Bruce

(57) **CLAIM**

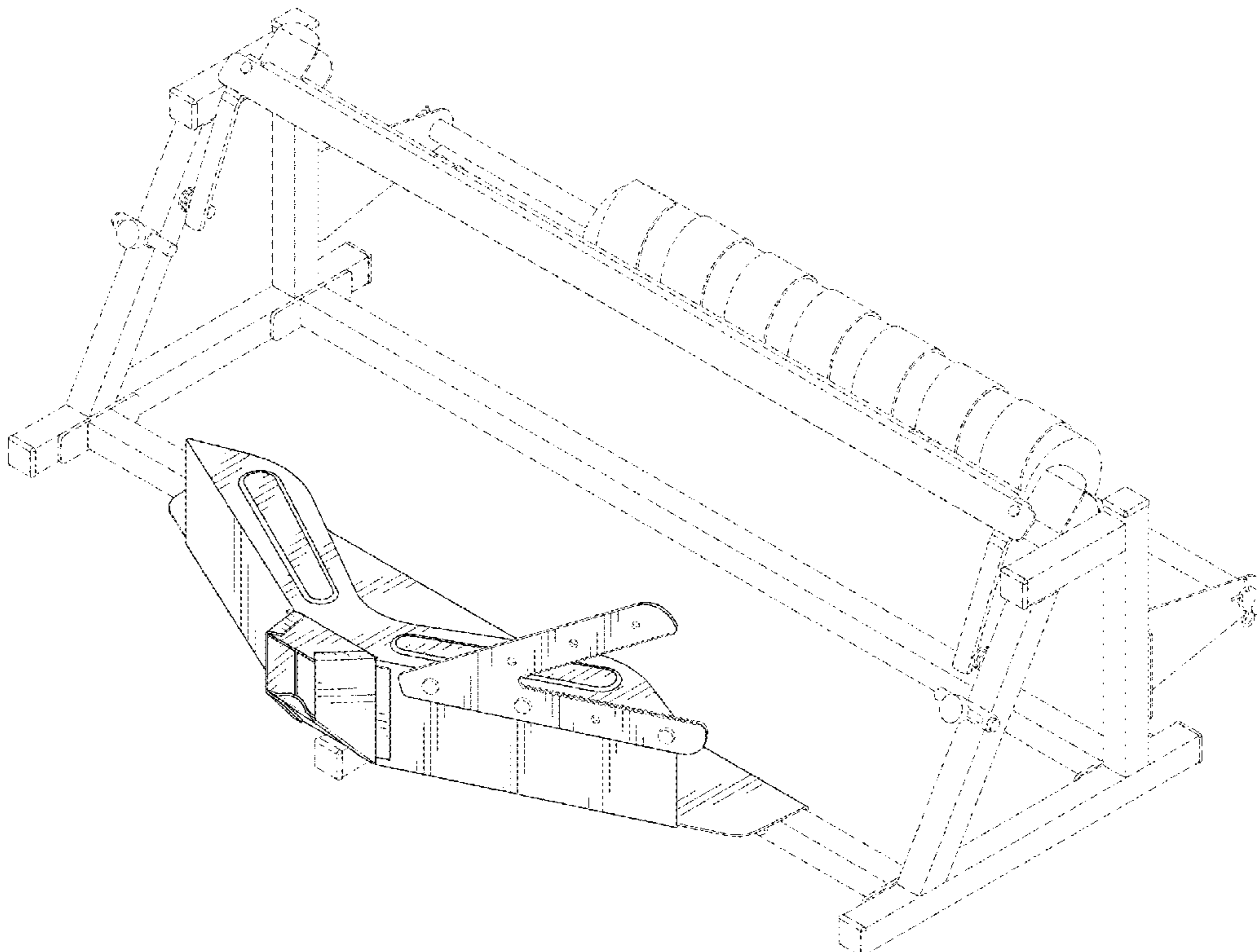
The ornamental design for a paper dispenser, as shown and described.

DESCRIPTION

FIG. 1 is a front top perspective view of a paper dispenser showing my new design;
FIG. 2 is a front elevational view thereof;
FIG. 3 is a rear elevational view thereof;
FIG. 4 is a left side elevational view thereof;
FIG. 5 is a right side elevational view thereof;
FIG. 6 is a top plan view thereof;
FIG. 7 is a bottom plan view thereof; and,
FIG. 8 is a rear perspective view of the paper dispenser of FIG. 3 removing portions of the paper roll supporting structure for clarity of disclosure.

The broken lines in the drawings depict unclaimed environmental subject matter.

1 Claim, 7 Drawing Sheets



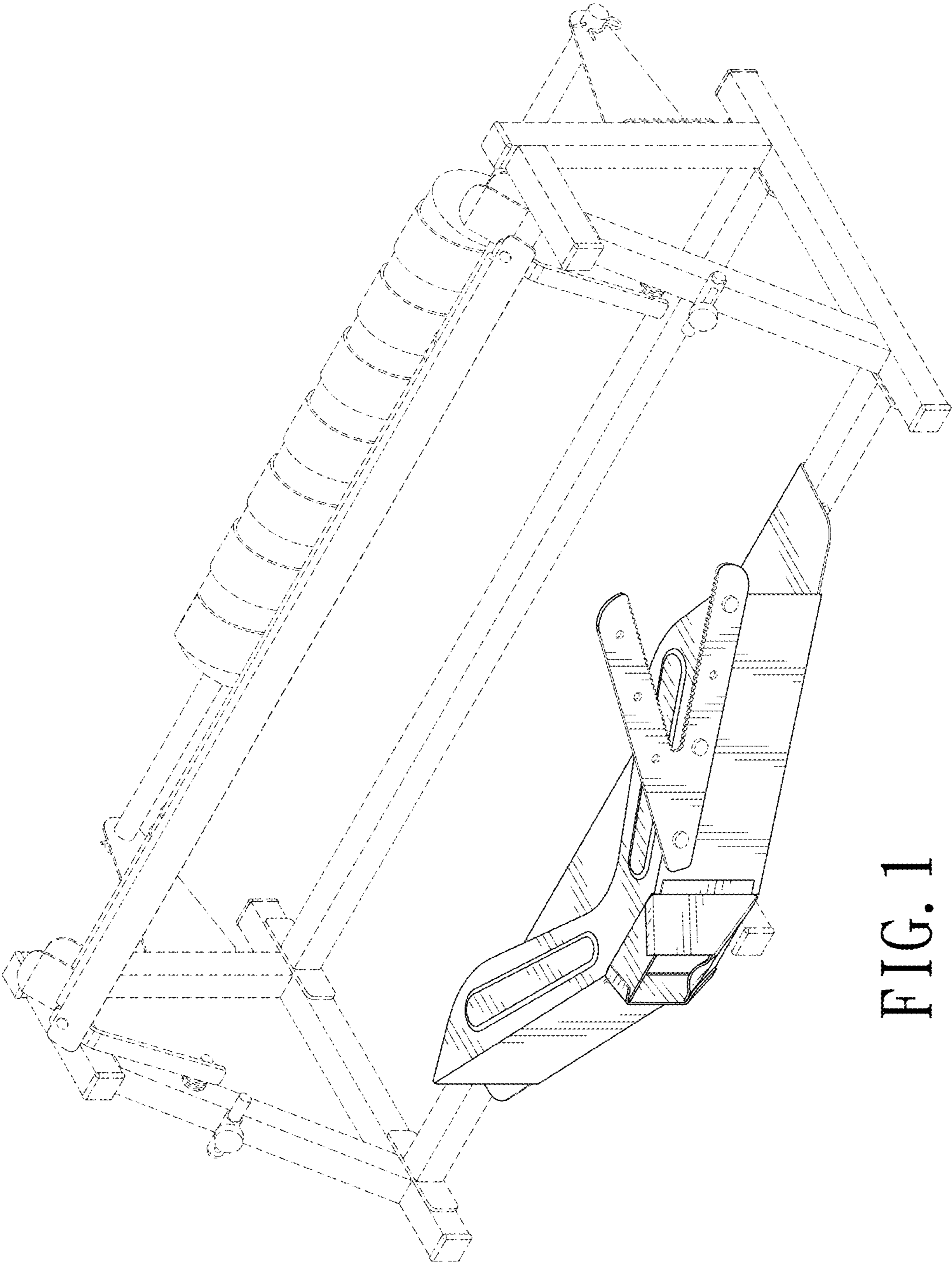


FIG. 1

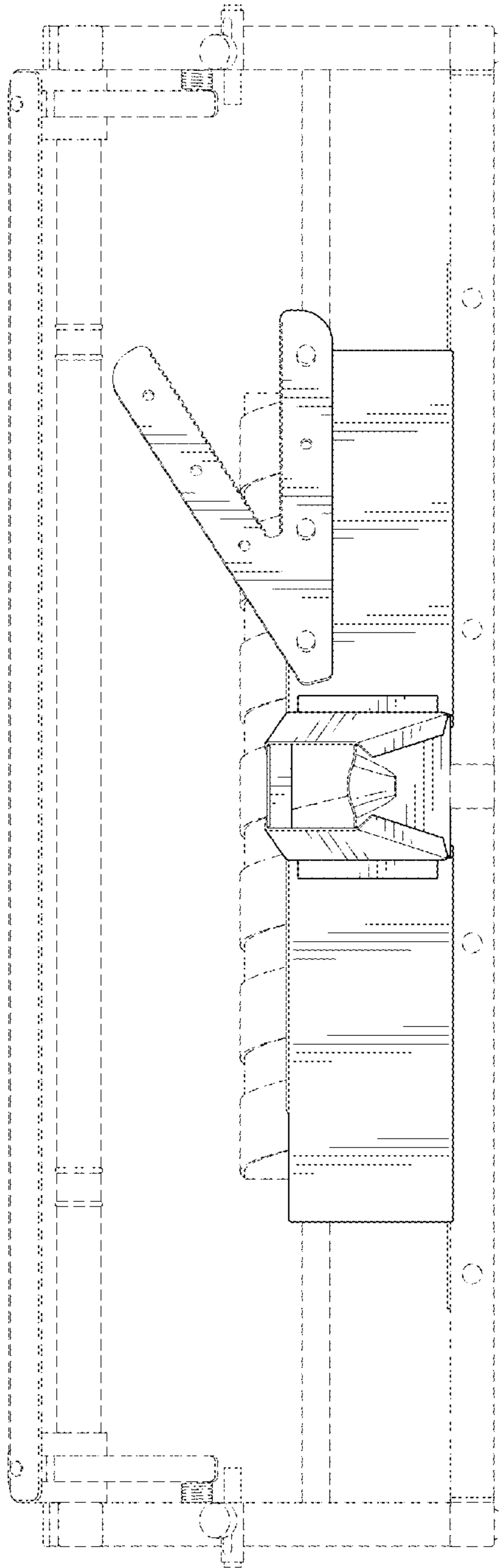


FIG. 2

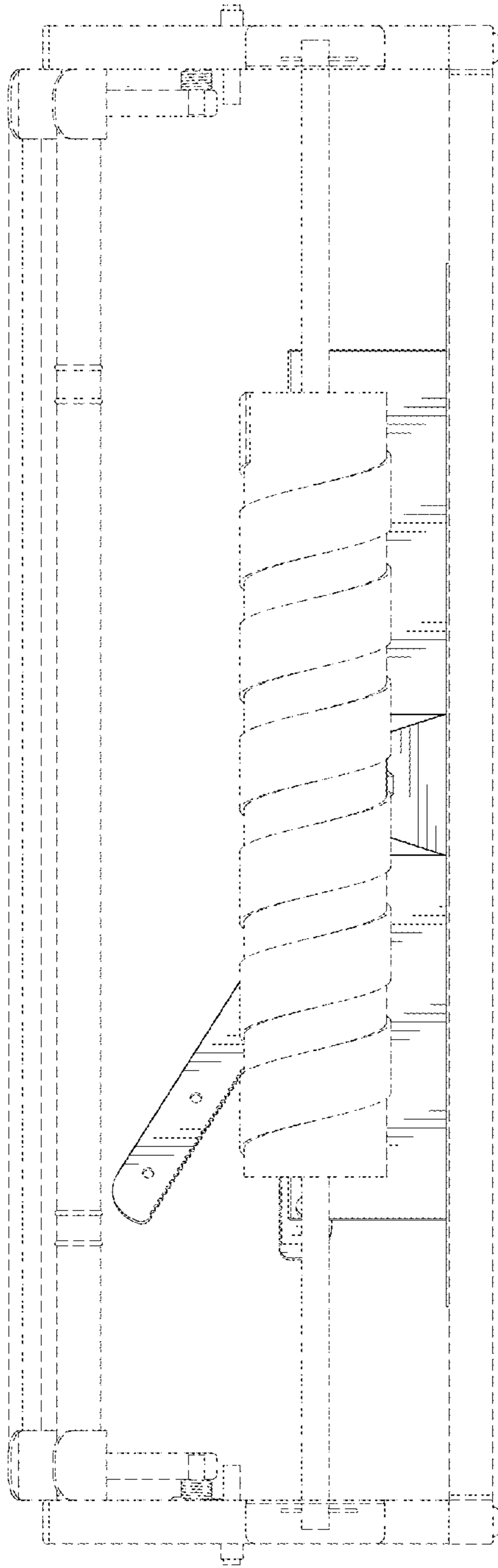


FIG. 3

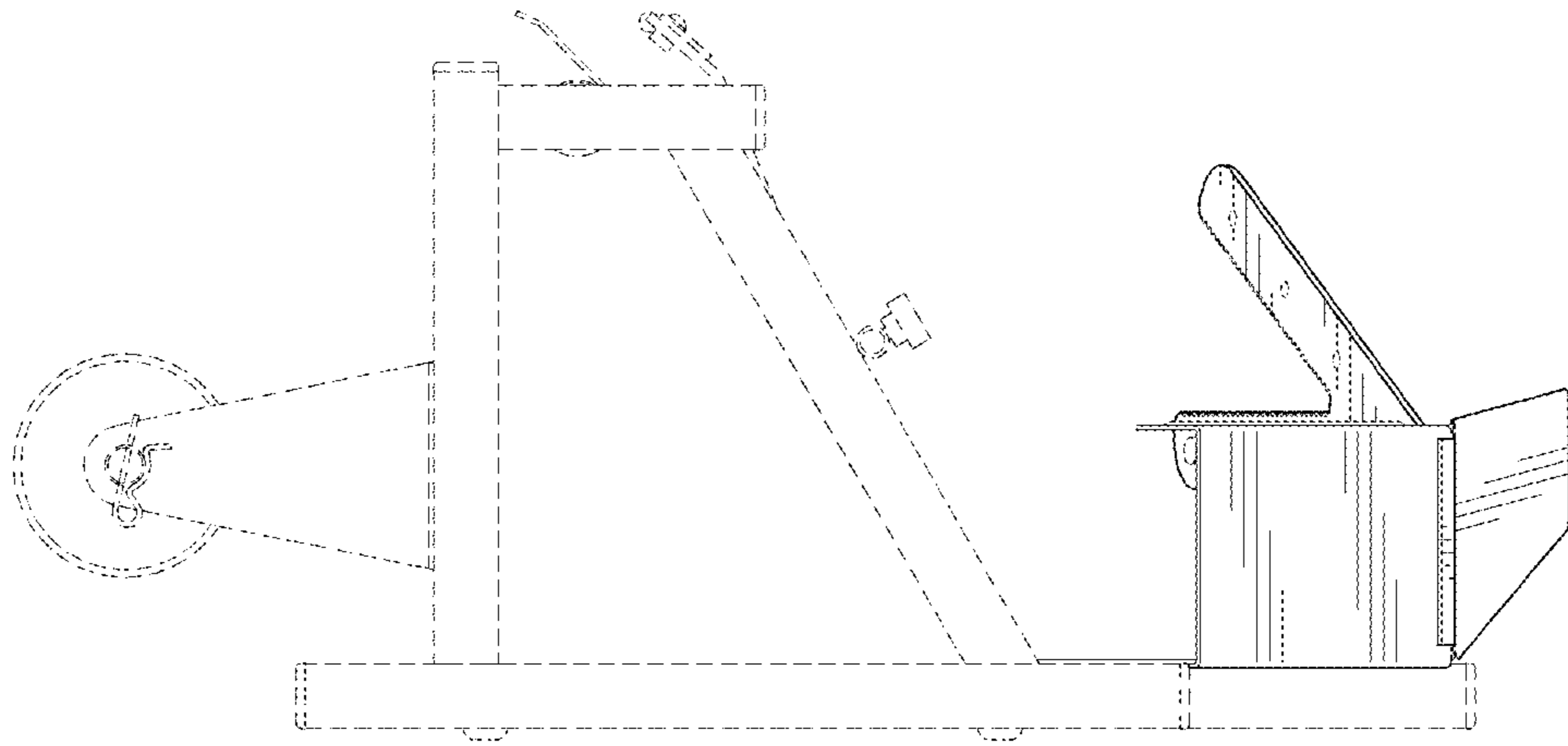


FIG. 4

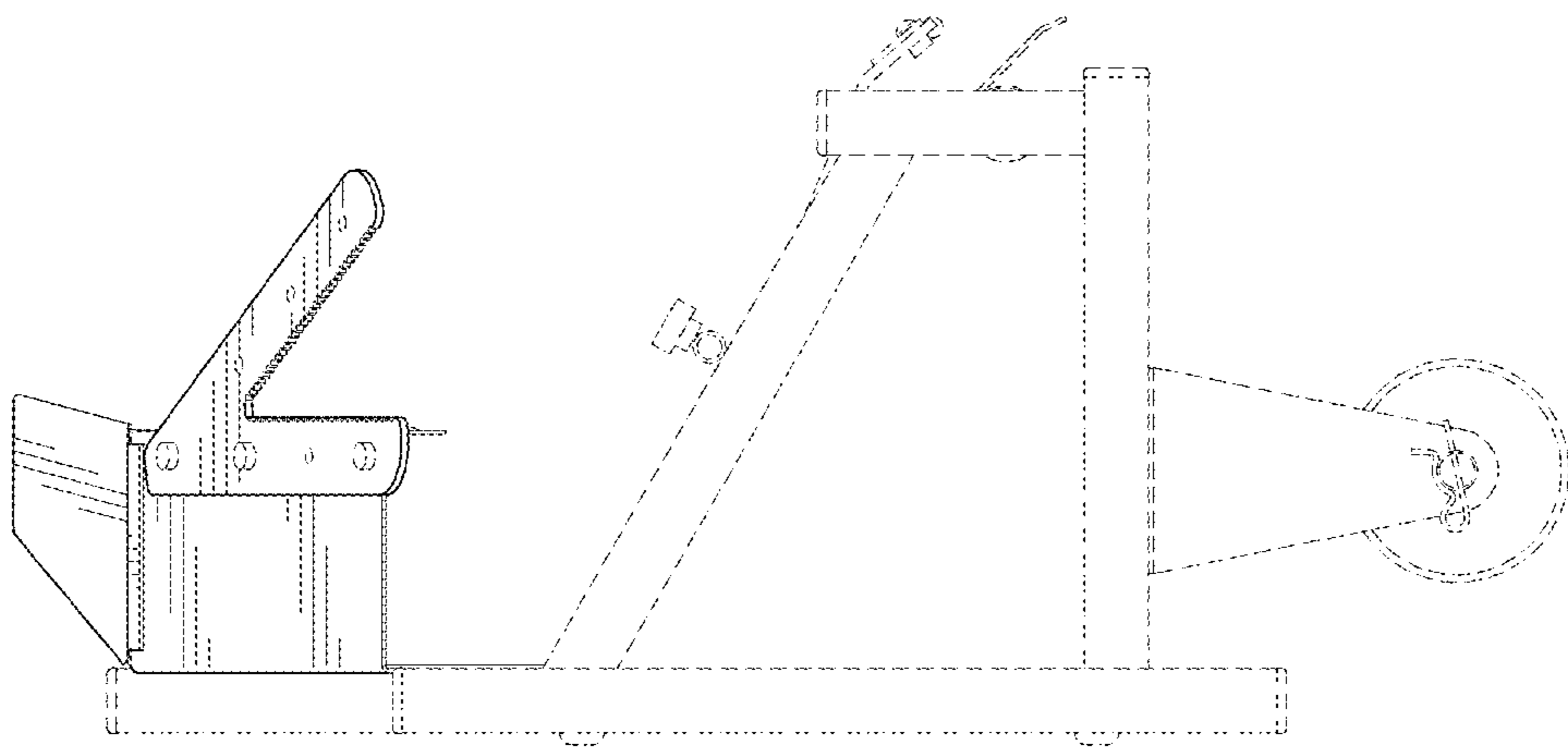


FIG. 5

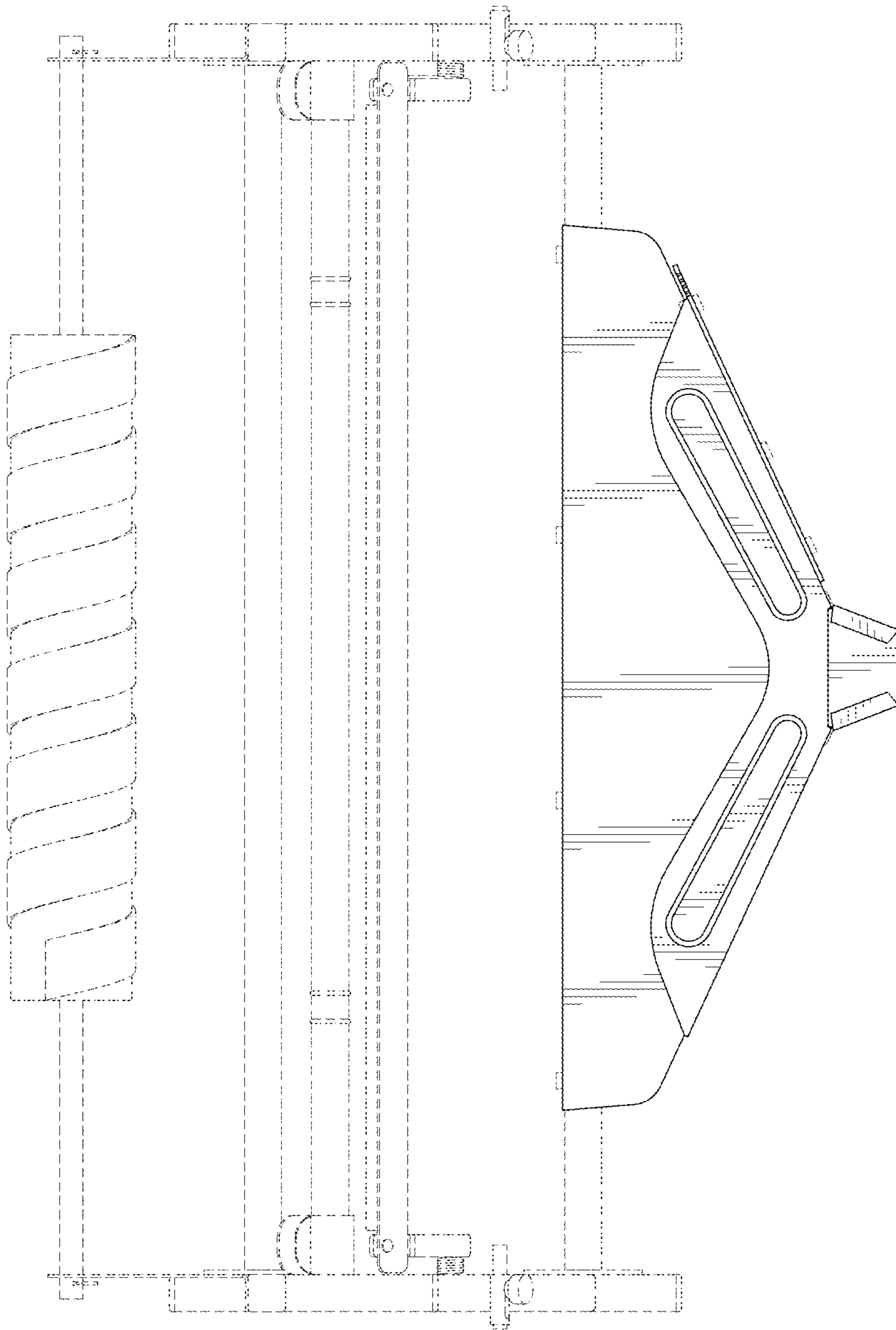


FIG. 6

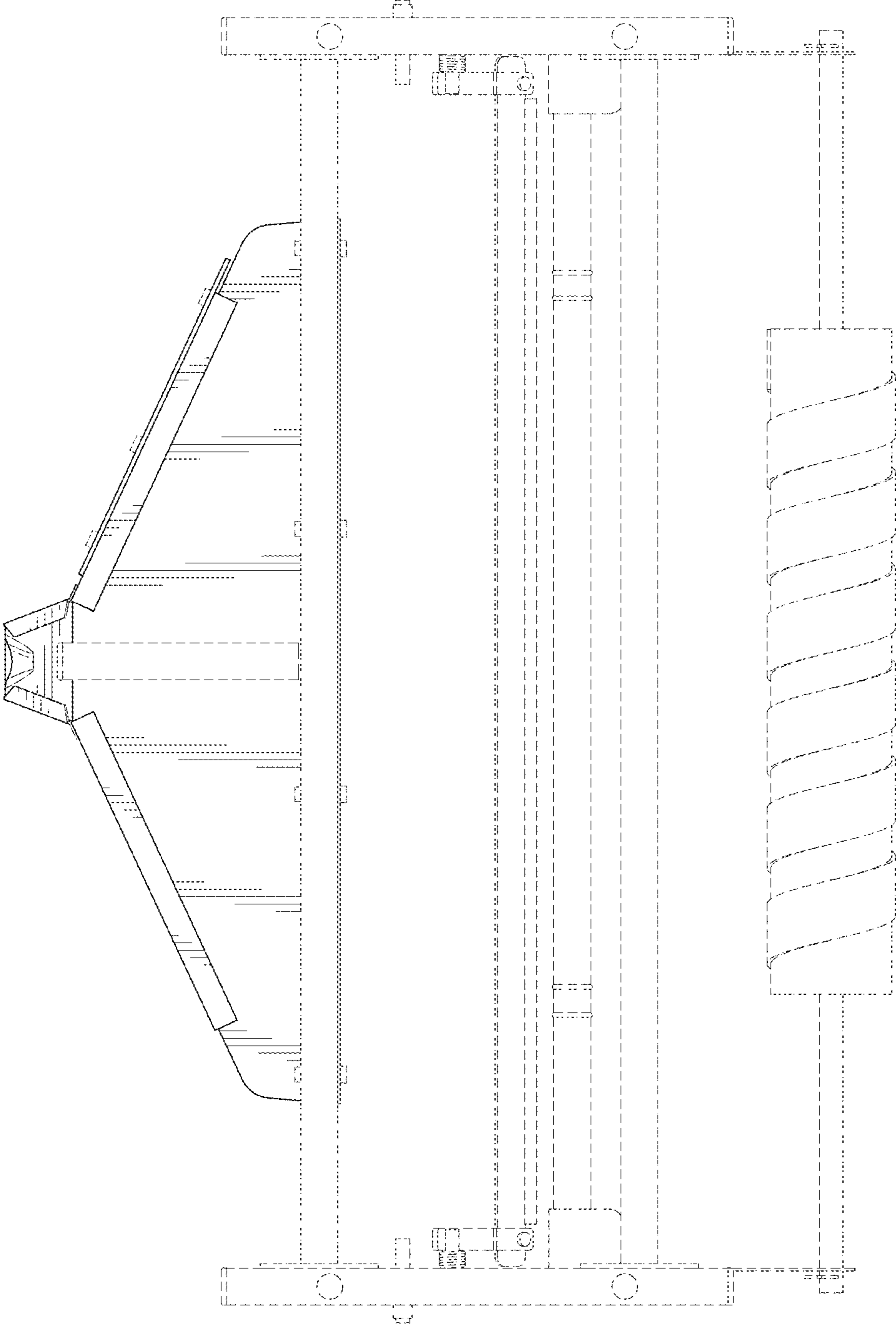


FIG. 7

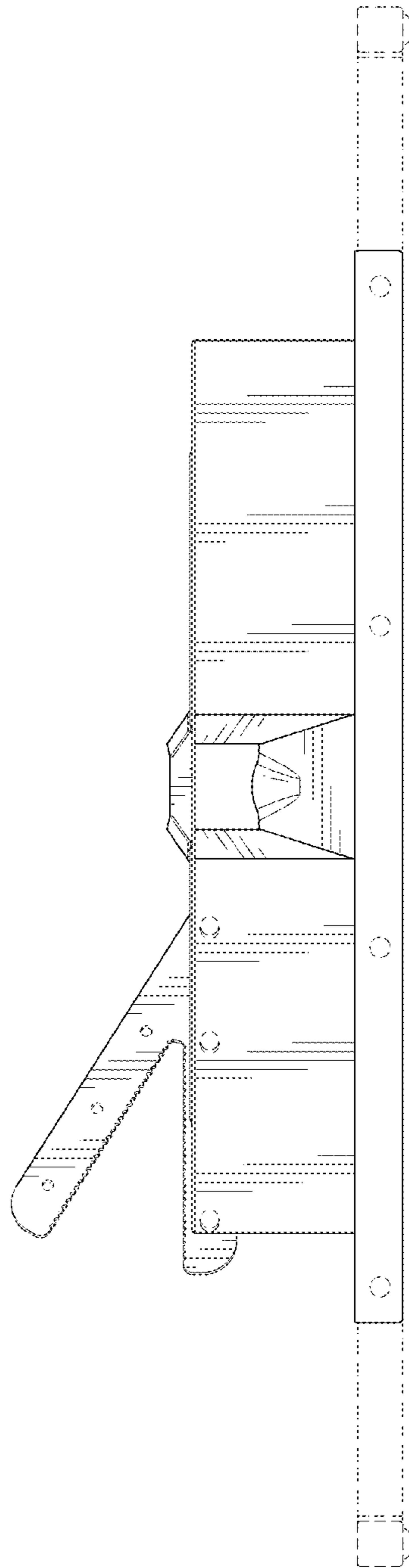


FIG. 8