

US00D881243S

(12) **United States Design Patent**  
**Hidaka**

(10) **Patent No.:** **US D881,243 S**

(45) **Date of Patent:** **\*\* Apr. 14, 2020**

- (54) **WELDING ELECTRODE TIP**
- (71) Applicant: **SMK Co., Ltd.**, Sagamihara-shi,  
Kanagawa (JP)
- (72) Inventor: **Masato Hidaka**, Sagamihara (JP)
- (73) Assignee: **SMK CO., LTD.**, Sagamihara-Shi,  
Kanagawa (JP)
- (\*\*) Term: **15 Years**
- (21) Appl. No.: **29/674,975**
- (22) Filed: **Dec. 27, 2018**
- (30) **Foreign Application Priority Data**  
Jul. 17, 2018 (JP) ..... 2018-015624
- (51) **LOC (12) Cl.** ..... **15-09**
- (52) **U.S. Cl.**  
USPC ..... **D15/144**
- (58) **Field of Classification Search**  
USPC ..... D8/1, 3, 8, 29, 29.1, 29.2, 30, 70, 98;  
D15/138, 139, 144; D32/40; D22/108,  
D22/109, 110  
CPC ... B23K 9/16; B23K 9/26; B23K 9/32; B23K  
9/123; B23K 9/173  
See application file for complete search history.

- D582,951 S \* 12/2008 Yamaguchi ..... D15/144
- D582,952 S \* 12/2008 Yamaguchi ..... D15/144
- D703,698 S \* 4/2014 Frazier ..... D15/21
- D710,175 S \* 8/2014 Moss ..... D8/70
- D710,176 S \* 8/2014 Santamarina ..... D8/70

(Continued)

**FOREIGN PATENT DOCUMENTS**

JP 1061704 S 11/1999

*Primary Examiner* — Brett Miller

*Assistant Examiner* — Fritzgerald L Butac

(74) *Attorney, Agent, or Firm* — United IP Counselors,  
LLC

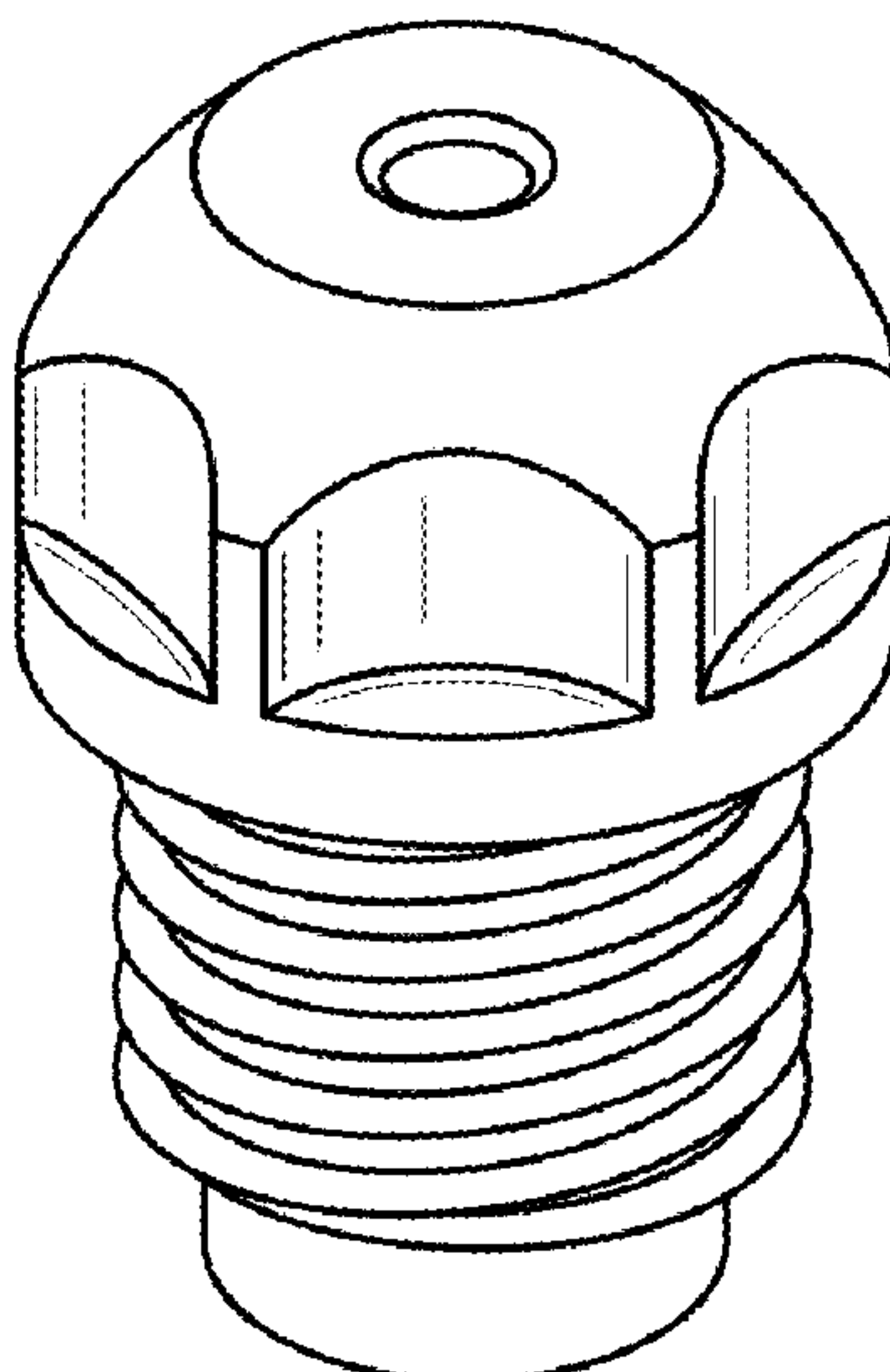
(57) **CLAIM**

The ornamental design for a welding electrode tip, as shown and described.

**DESCRIPTION**

FIG. 1 is a perspective view of a welding electrode tip, illustrating my new design;  
 FIG. 2 is a side elevational view of the welding electrode tip of FIG. 1, shown as installed;  
 FIG. 3 is a side elevational view of one side of the welding electrode tip of FIG. 1;  
 FIG. 4 is a side elevational view of the other side of the welding electrode tip of FIG. 1;  
 FIG. 5 is a top plan view of the welding electrode tip of FIG. 1;  
 FIG. 6 is a bottom plan view of the welding electrode tip of FIG. 1; and,  
 FIG. 7 is a cross-sectional view of the welding electrode tip of FIG. 1, taken through Line 7-7 of FIG. 5.  
 The vertical, parallel broken lines in FIG. 2 are for the purpose of showing environmental structure, and form no part of the claimed design. The other broken lines in FIG. 2 also illustrate environmental structure that forms to part of the claimed design.

**1 Claim, 3 Drawing Sheets**



(56)

**References Cited**

## U.S. PATENT DOCUMENTS

D728,647	S	*	5/2015	Savill, Jr.	.....	D15/144
D728,649	S	*	5/2015	Hassan	.....	D15/144
D744,555	S	*	12/2015	Suzuki	.....	D15/138
D744,561	S	*	12/2015	Hassan	.....	D15/144
D744,562	S	*	12/2015	Hassan	.....	D15/144
D744,563	S	*	12/2015	Hassan	.....	D15/144
D744,564	S	*	12/2015	Hassan	.....	D15/144
D747,377	S	*	1/2016	Hassan	.....	D15/144
D747,378	S	*	1/2016	Hassan	.....	D15/144
D748,172	S	*	1/2016	Hassan	.....	D15/144
D748,173	S	*	1/2016	Hassan	.....	D15/144
D748,174	S	*	1/2016	Hassan	.....	D15/144
D759,137	S	*	6/2016	Hassan	.....	D15/144
D776,730	S	*	1/2017	Yamaguchi	.....	D15/144
D784,432	S	*	4/2017	Yamaguchi	.....	D15/144
D802,034	S	*	11/2017	Yamaguchi	.....	D15/144
D808,449	S	*	1/2018	Buhr	.....	D15/139
D819,098	S	*	5/2018	Buhr	.....	E21C 35/18
						D15/139
D835,692	S	*	12/2018	Susin	.....	D15/144
D861,054	S	*	9/2019	Avila	.....	D15/199
D863,386	S	*	10/2019	Swope	.....	D15/139

\* cited by examiner

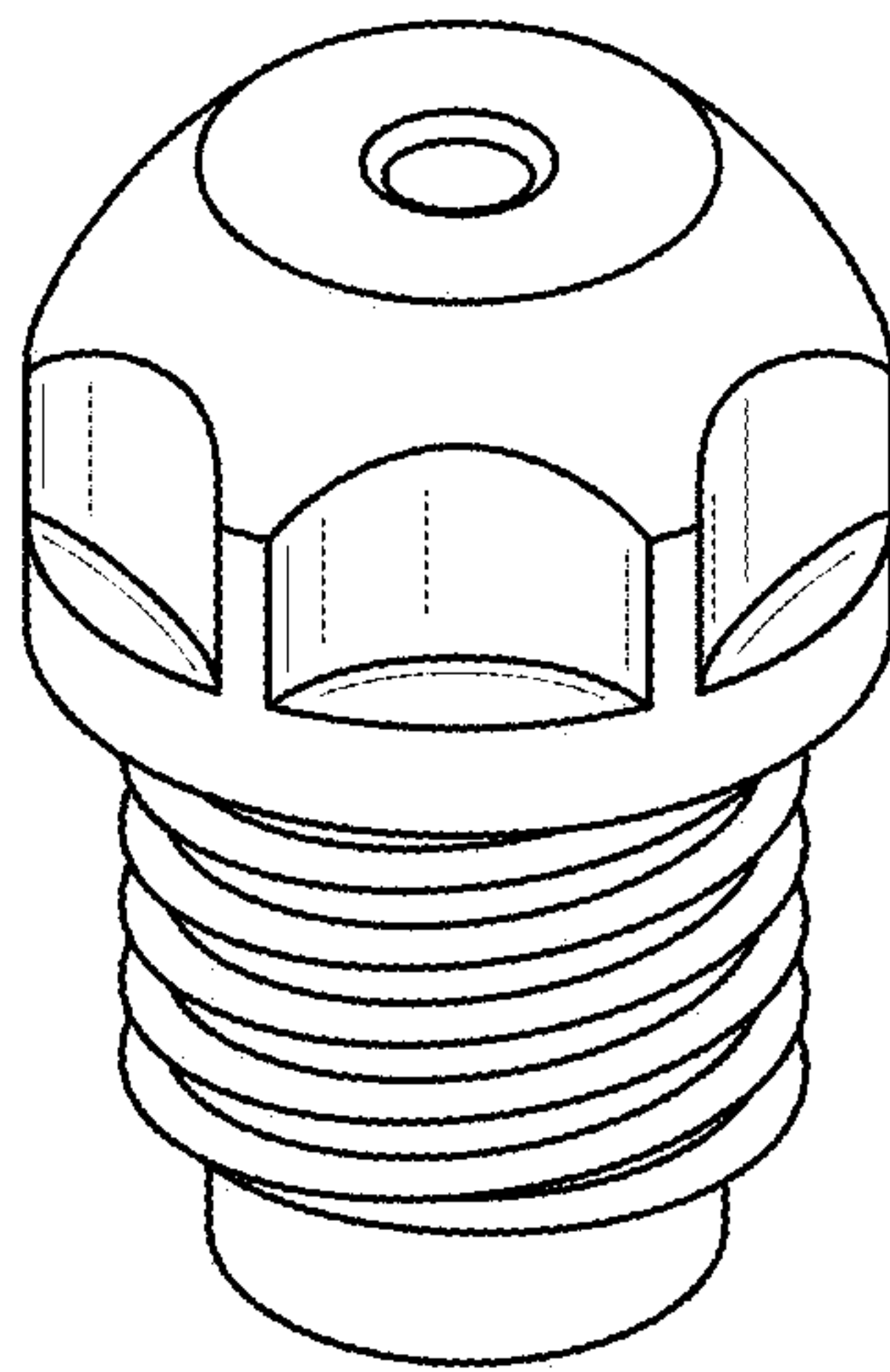


FIG. 1

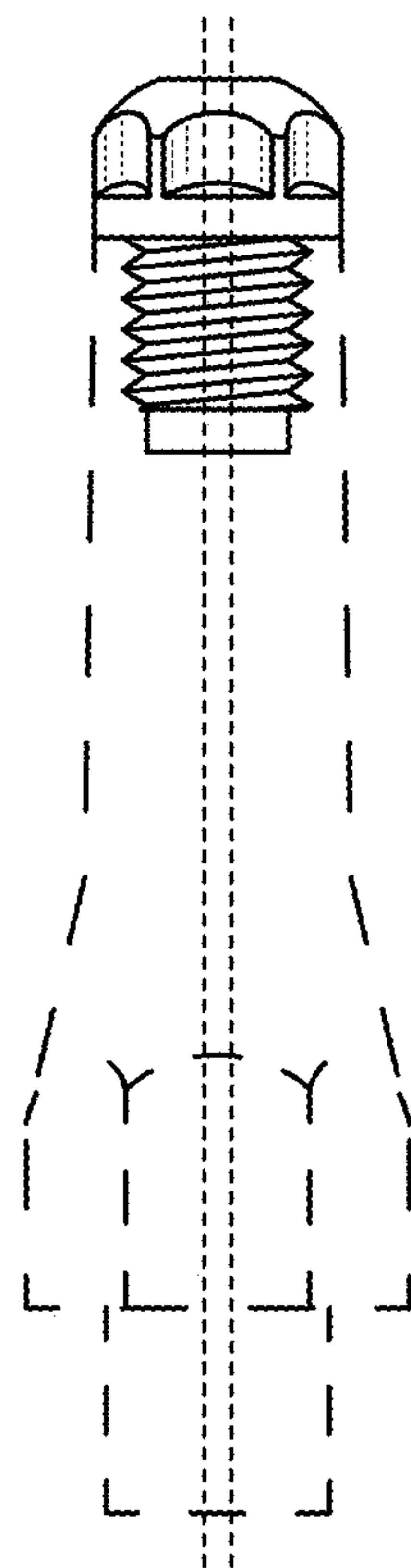


FIG. 2

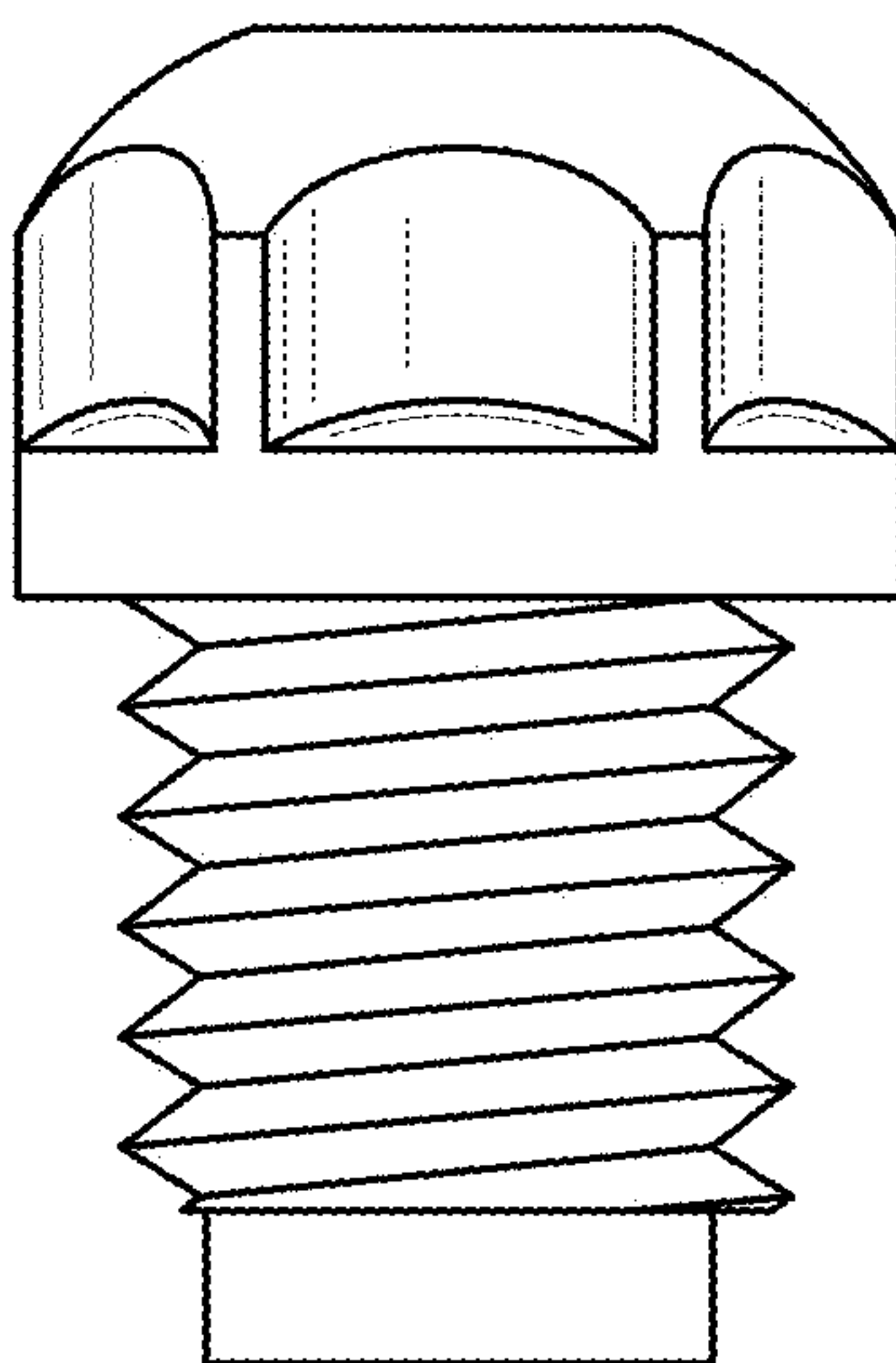


FIG. 3

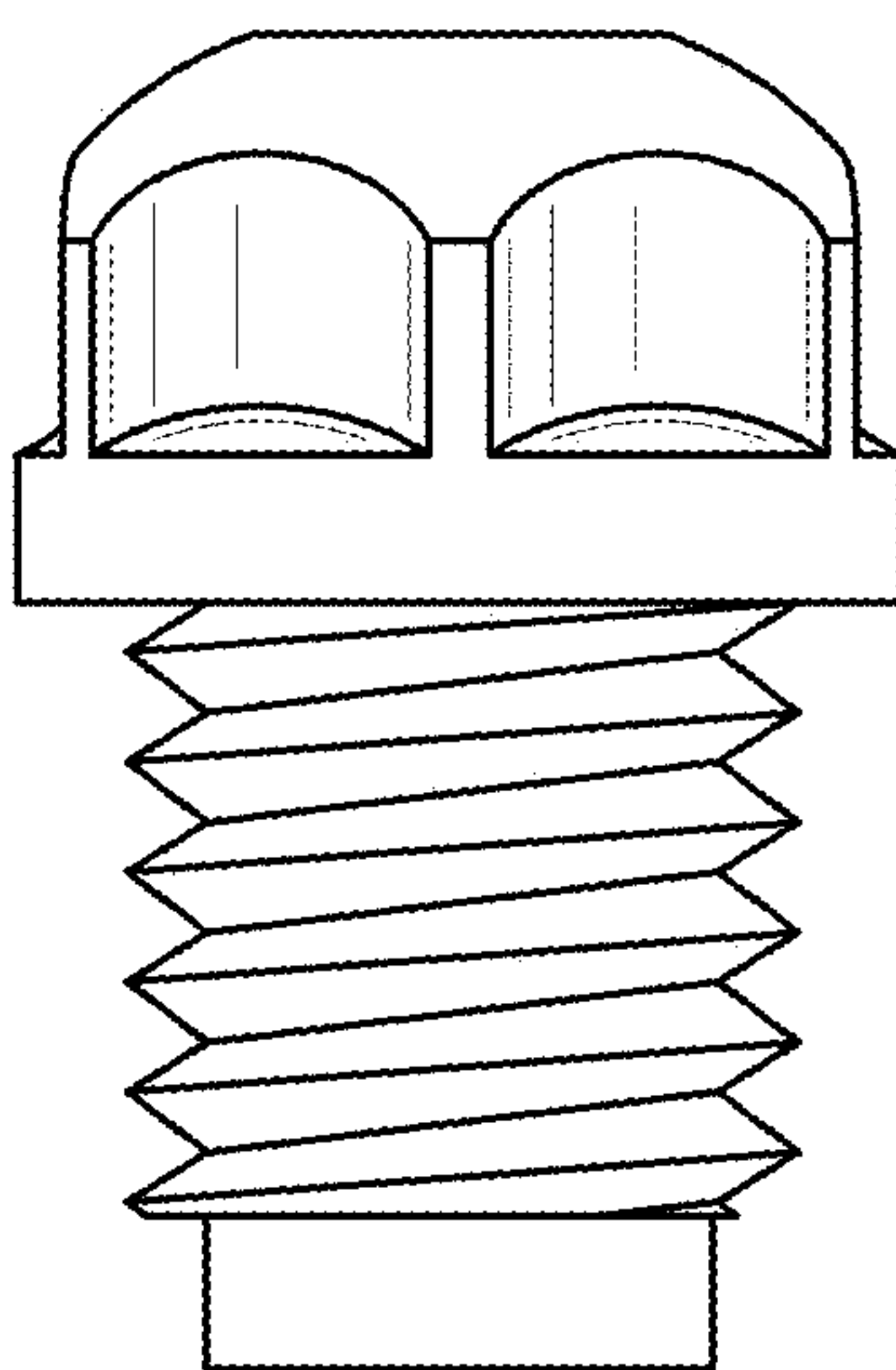


FIG. 4

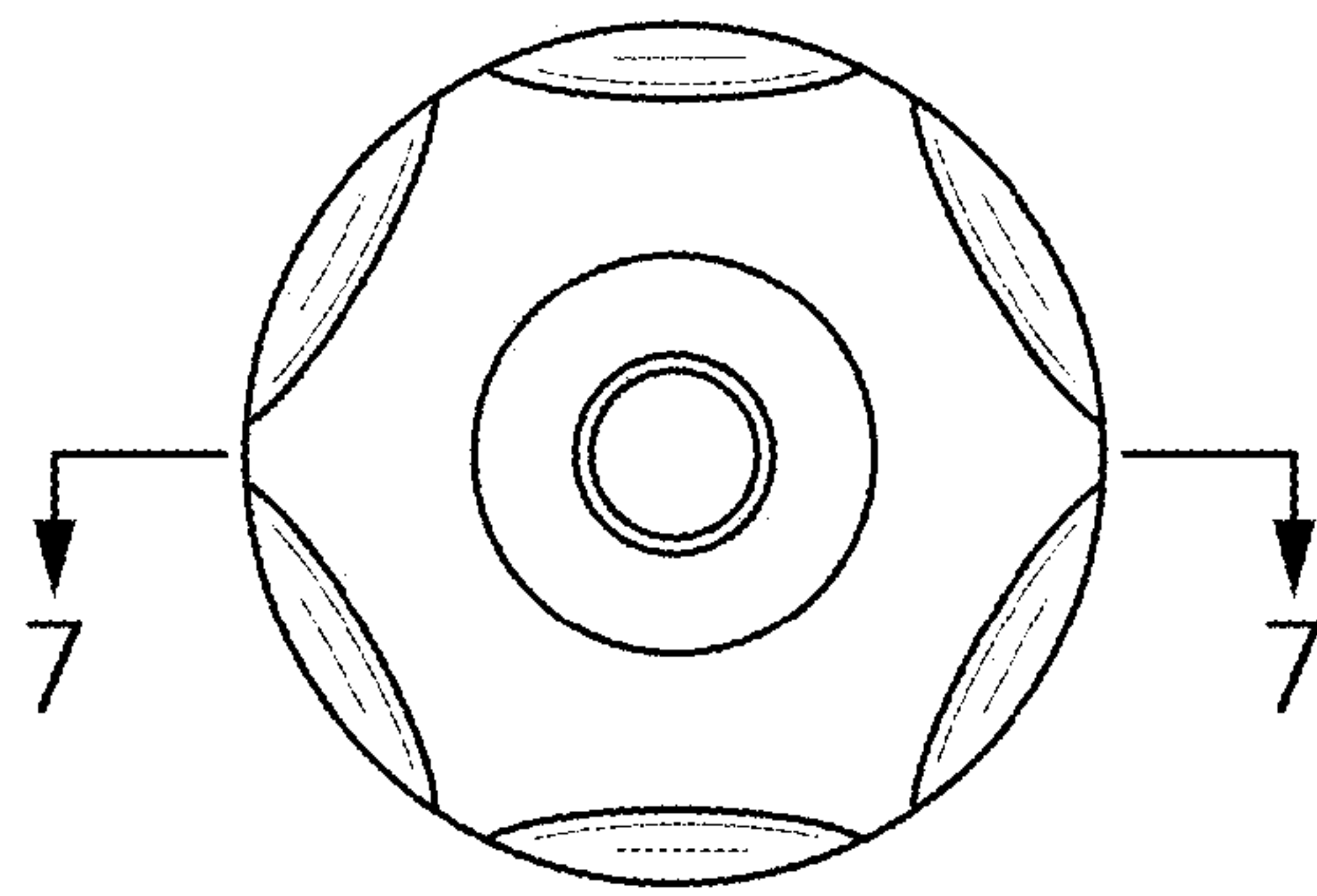


FIG. 5

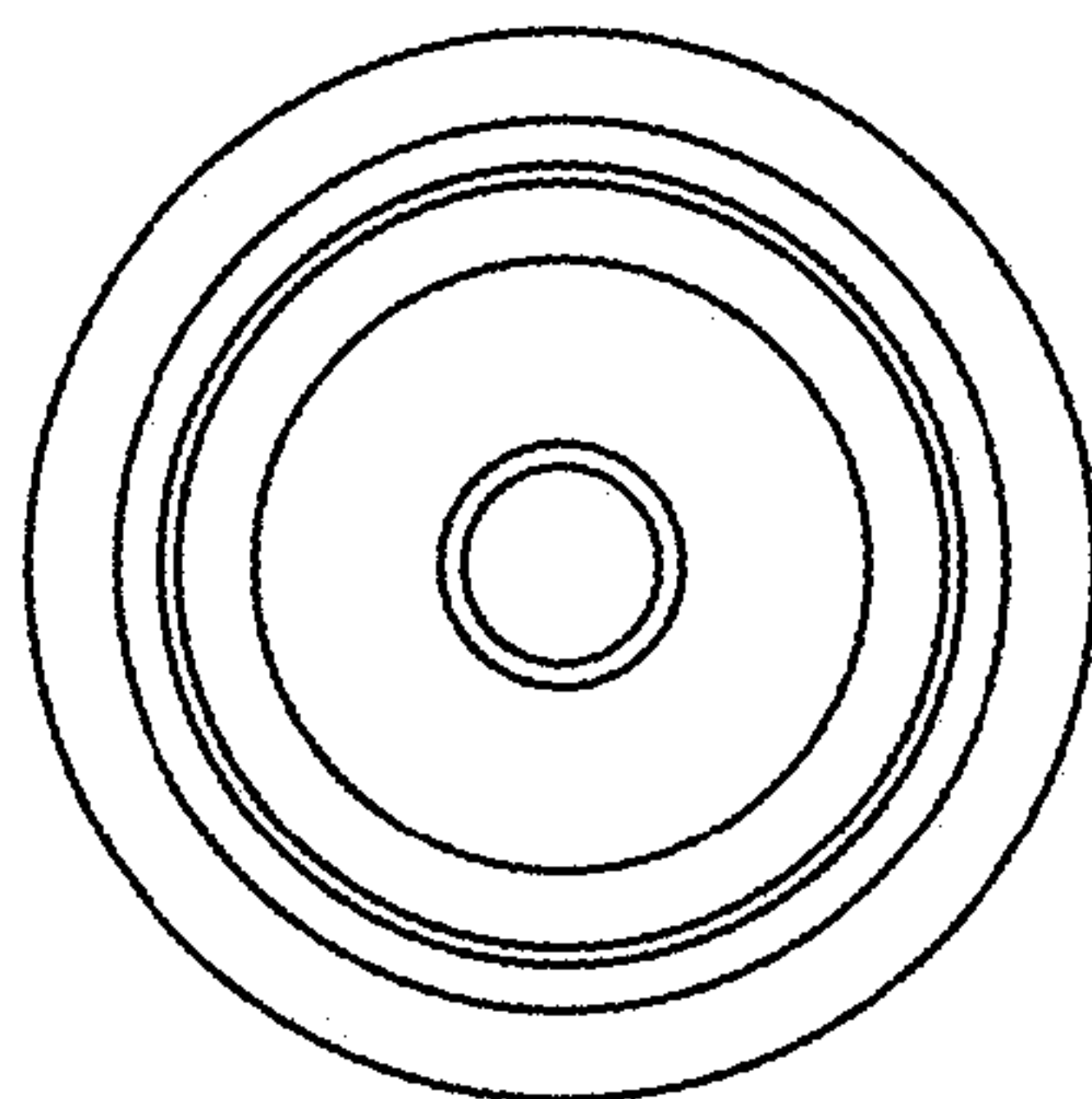


FIG. 6

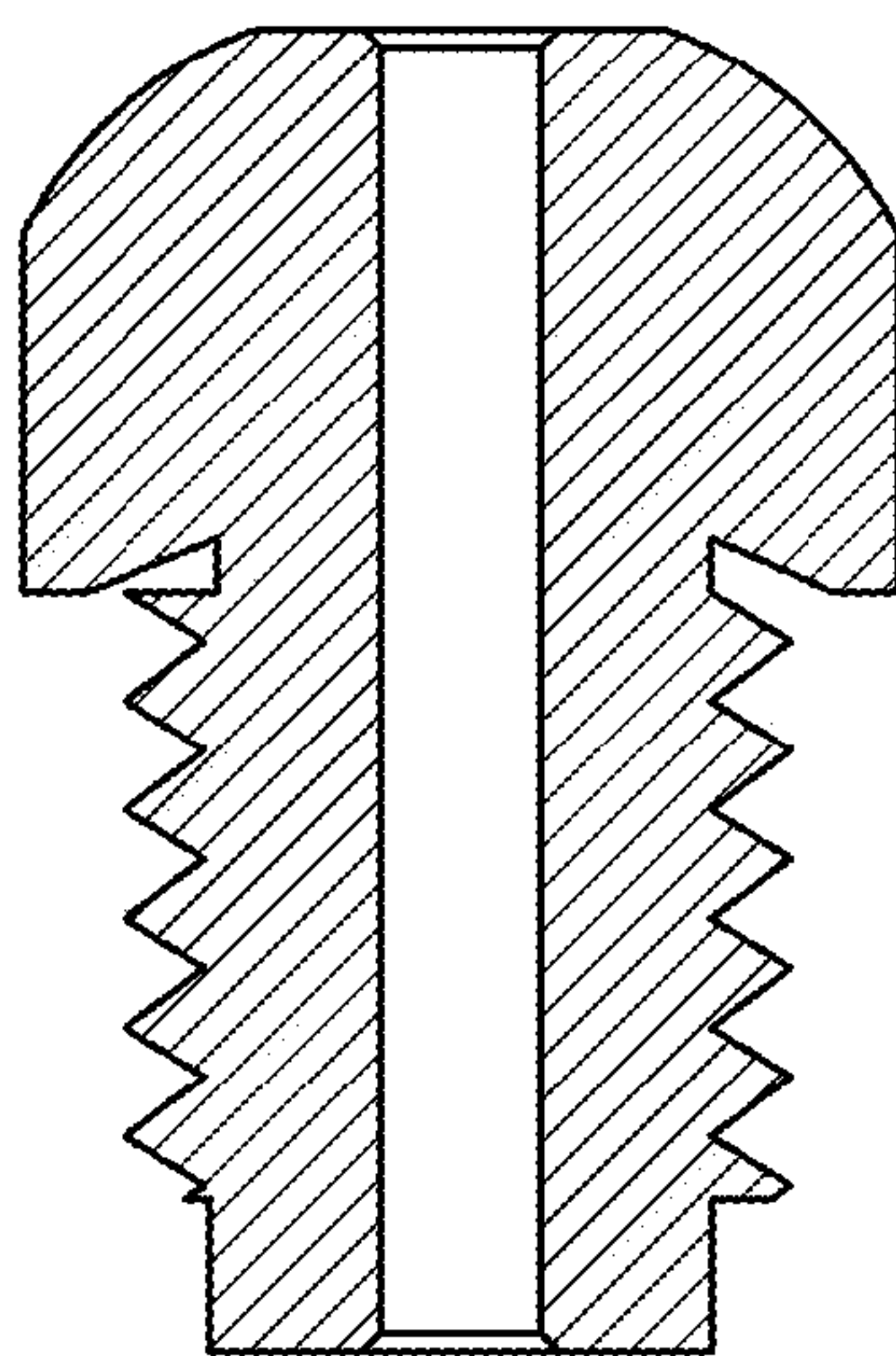


FIG. 7