



US00D881242S

(12) **United States Design Patent** (10) **Patent No.:** **US D881,242 S**
Riedel et al. (45) **Date of Patent:** **** Apr. 14, 2020**

(54) **TOOL HOLDER** 5,803,971 A * 9/1998 Menchetti B05C 13/02
118/500
(71) Applicant: **OERLIKON SURFACE SOLUTIONS** D462,256 S * 9/2002 Jaynes D12/160
AG, PFÄFFIKON, Pfaffikon (CH) D508,396 S * 8/2005 Gimbel D8/382
D586,207 S * 2/2009 Giddings D8/382
(72) Inventors: **Ewald Riedel**, Ockenheim (DE); D590,702 S * 4/2009 Giddings D8/382
Armin Vester, Eltville (DE); **Max** D614,216 S * 4/2010 Albertson D15/140
Siebert, Bolanden (DE) D648,210 S * 11/2011 Reynoso D8/382
D656,392 S * 3/2012 McKenna D8/382
(73) Assignee: **Oerlikon Surface Solutions AG,** D691,645 S * 10/2013 Klien D15/122
Pfaffikon, Pfaffikon (CH) 8,641,826 B2 * 2/2014 Rosenblatt C23C 14/505
118/730
(**) Term: **15 Years** D743,243 S * 11/2015 Strunk D8/382
9,381,537 B2 * 7/2016 McPherson C23C 14/505
9,789,513 B2 * 10/2017 Feuerstein B05C 13/02
(21) Appl. No.: **35/504,721** D816,192 S * 4/2018 Sato D23/262
10,072,326 B2 * 9/2018 Siebert C23C 14/042
2007/0057138 A1 * 3/2007 Esser C23C 14/505
248/349.1
(22) Filed: **Jan. 29, 2018** 2010/0072409 A1 * 3/2010 Hancock F16K 15/063
251/321

(80) **Hague Agreement Data**

Int. Filing Date: **Jan. 29, 2018**
Int. Reg. No.: **DM/100311**
Int. Reg. Date: **Jan. 29, 2018**
Int. Reg. Pub. Date: **Apr. 6, 2018**

(51) **LOC (12) Cl.** **15-09**
(52) **U.S. Cl.**
USPC **D15/140**
(58) **Field of Classification Search**
USPC D8/382, 387, 394, 395; D15/138, 140,
D15/122
CPC B05C 13/00; B05C 13/02
See application file for complete search history.

(56) **References Cited**

U.S. PATENT DOCUMENTS

3,281,935 A * 11/1966 Zankl B23Q 3/15526
483/44
3,699,298 A * 10/1972 Briody F27D 11/06
219/634
D355,200 S * 2/1995 Lippman D15/138
5,794,948 A * 8/1998 Schmitt B05C 13/02
118/503

(Continued)

FOREIGN PATENT DOCUMENTS

WO 2018149548 * 8/2018

Primary Examiner — Deanna L Pratt

(74) *Attorney, Agent, or Firm* — Frost Brown Todd LLC

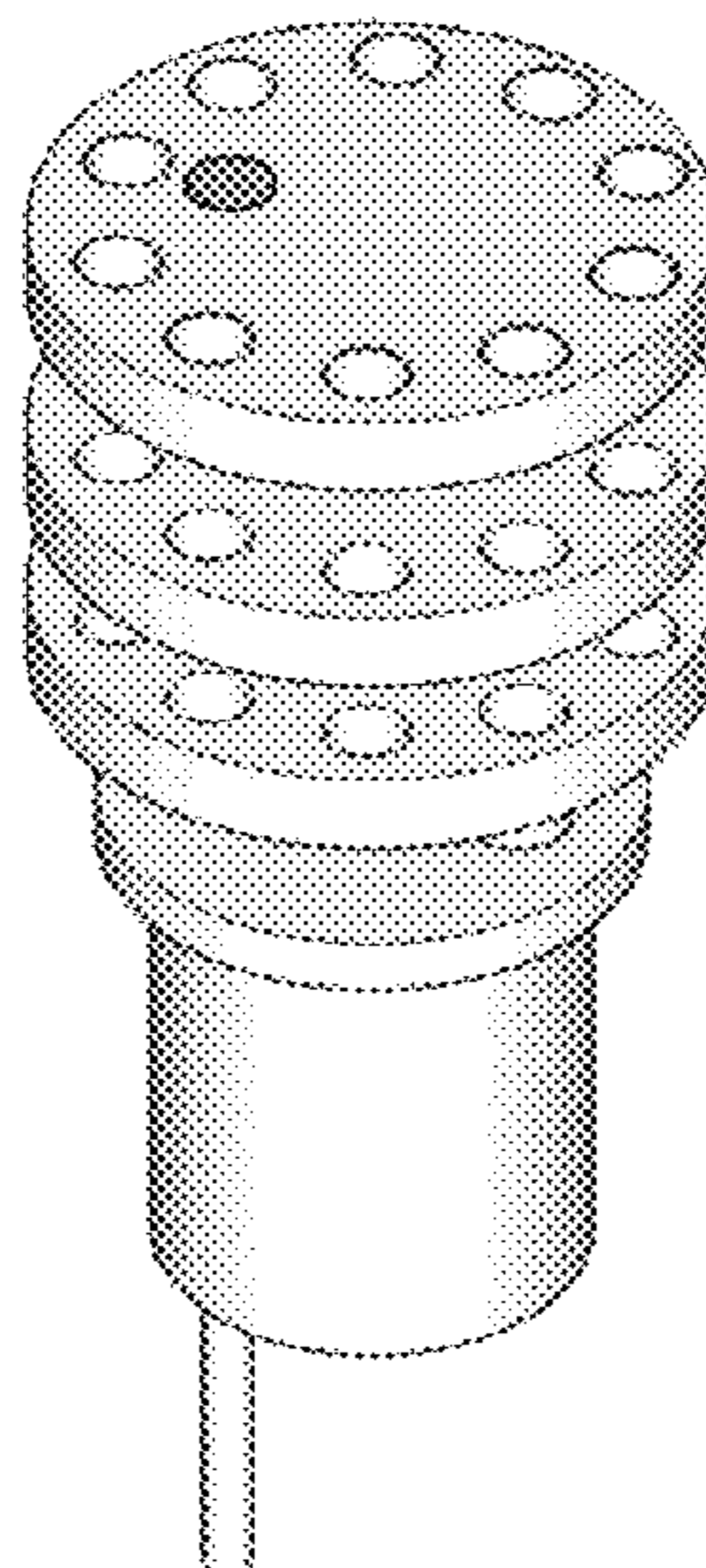
(57) **CLAIM**

The ornamental design for a tool holder, as shown and described.

DESCRIPTION

- 1. Tool holder
- 1.1 : Top
- 1.2 : Right
- 1.3 : Perspective
- 1.4 : Left
- 1.5 : Bottom
- 1.6 : Back
- 1.7 : Front

1 Claim, 7 Drawing Sheets



(56)

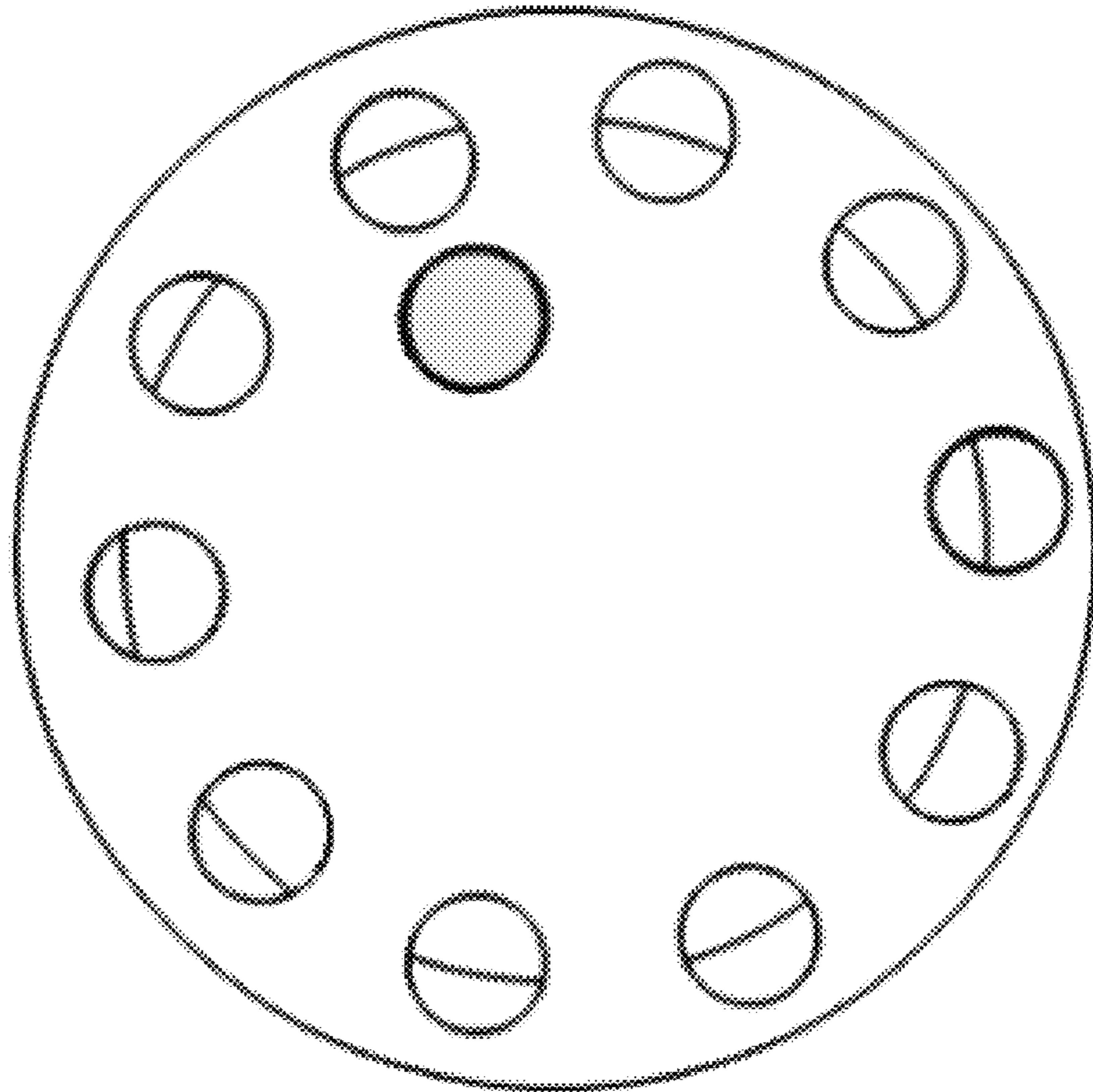
References Cited

U.S. PATENT DOCUMENTS

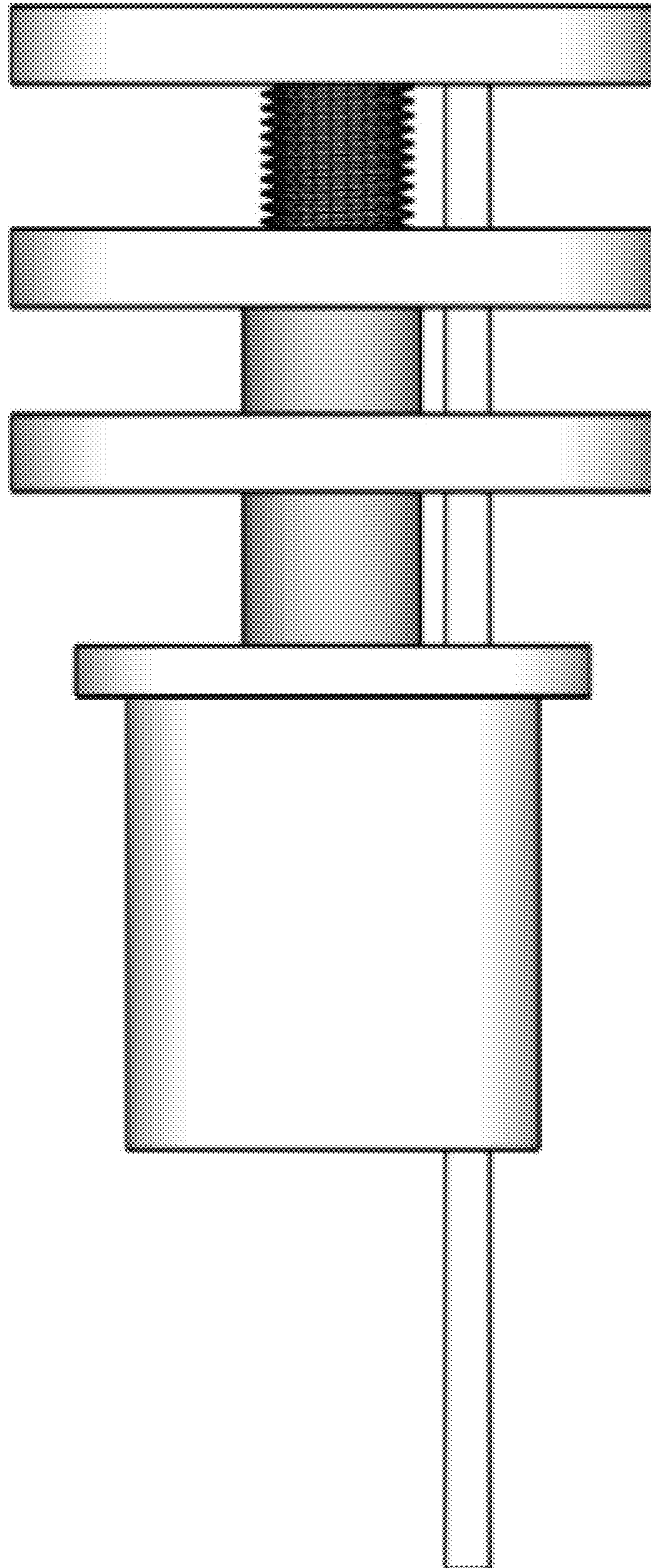
2013/0149450 A1* 6/2013 Feuerstein B05C 13/02
427/282
2013/0177707 A1* 7/2013 Feuerstein C23C 14/505
427/282
2017/0297048 A1* 10/2017 Vogel C23C 14/044
2018/0030595 A1* 2/2018 Kim C23C 16/50

* cited by examiner

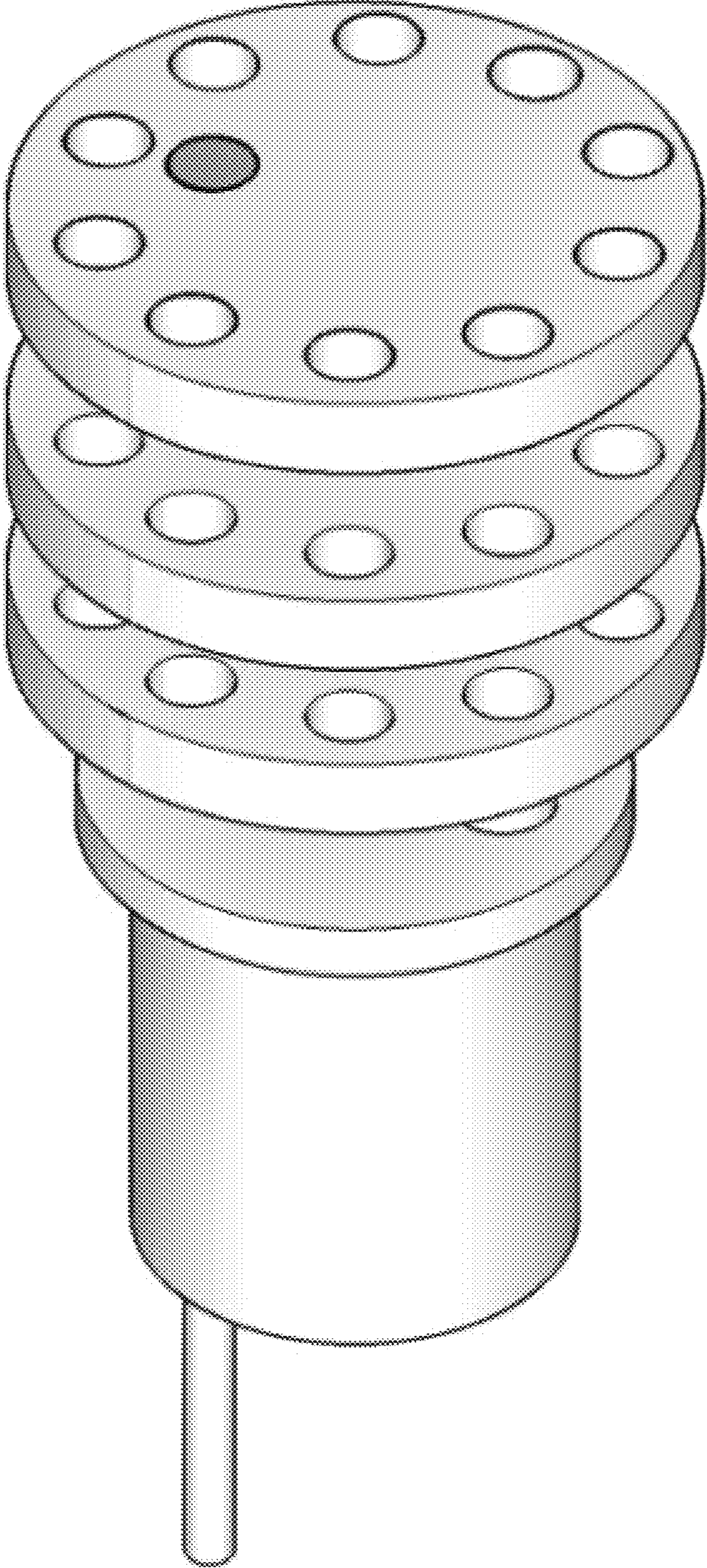
1.1



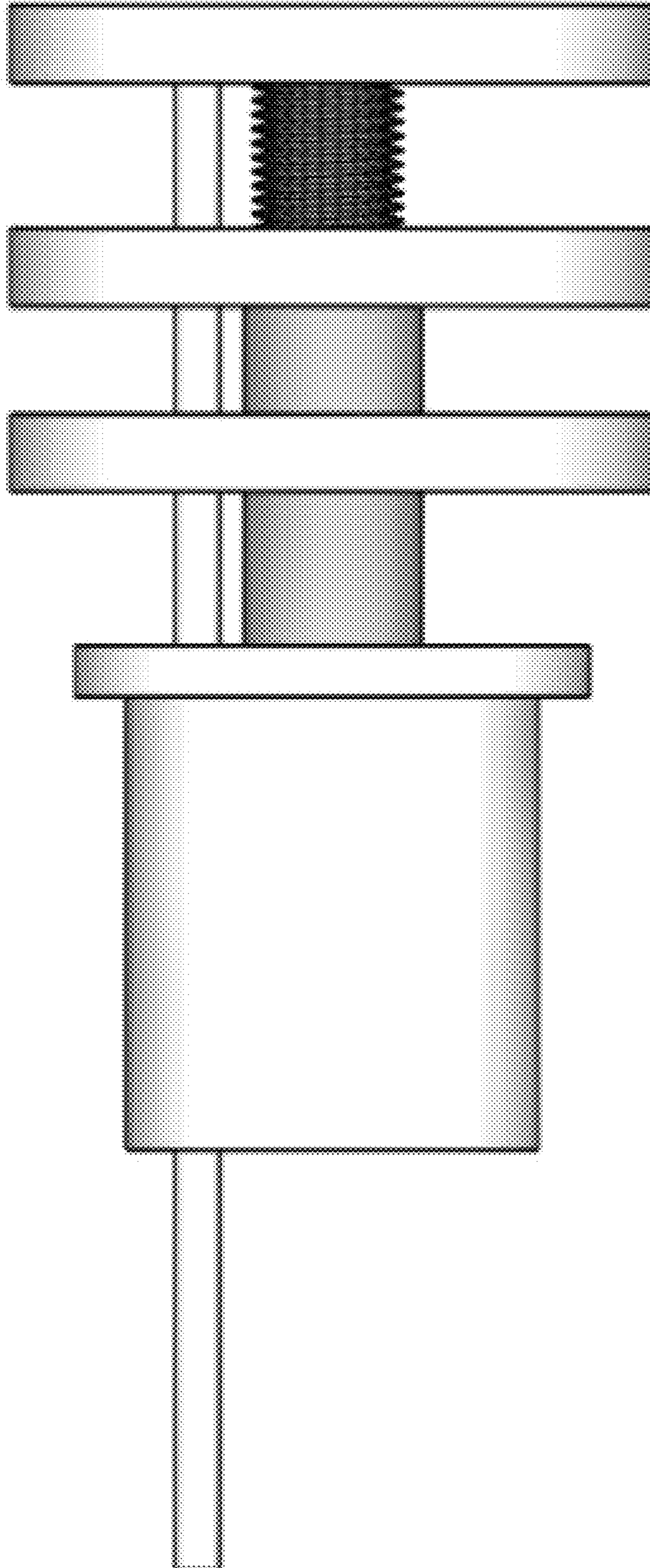
1.2



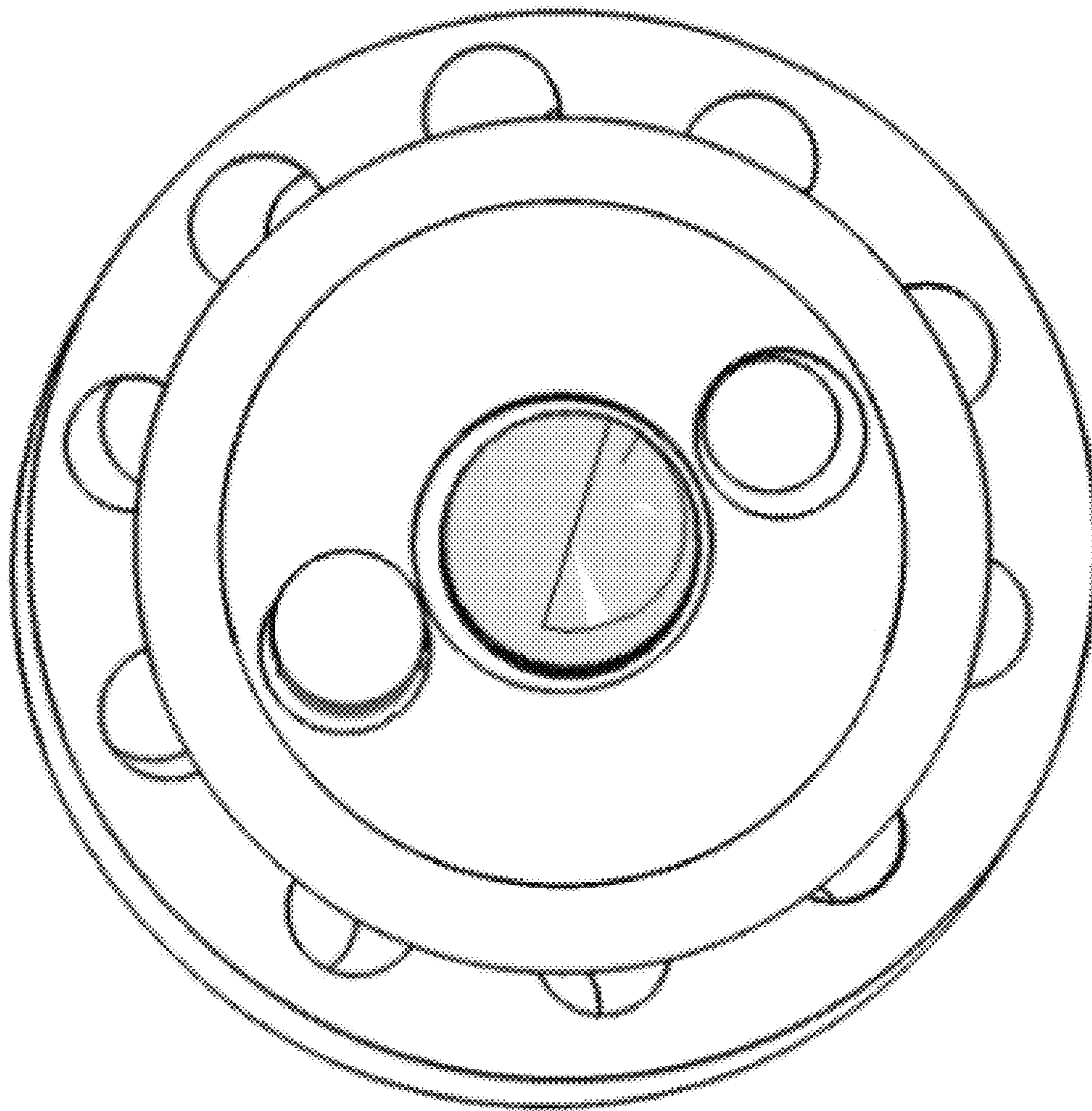
1.3



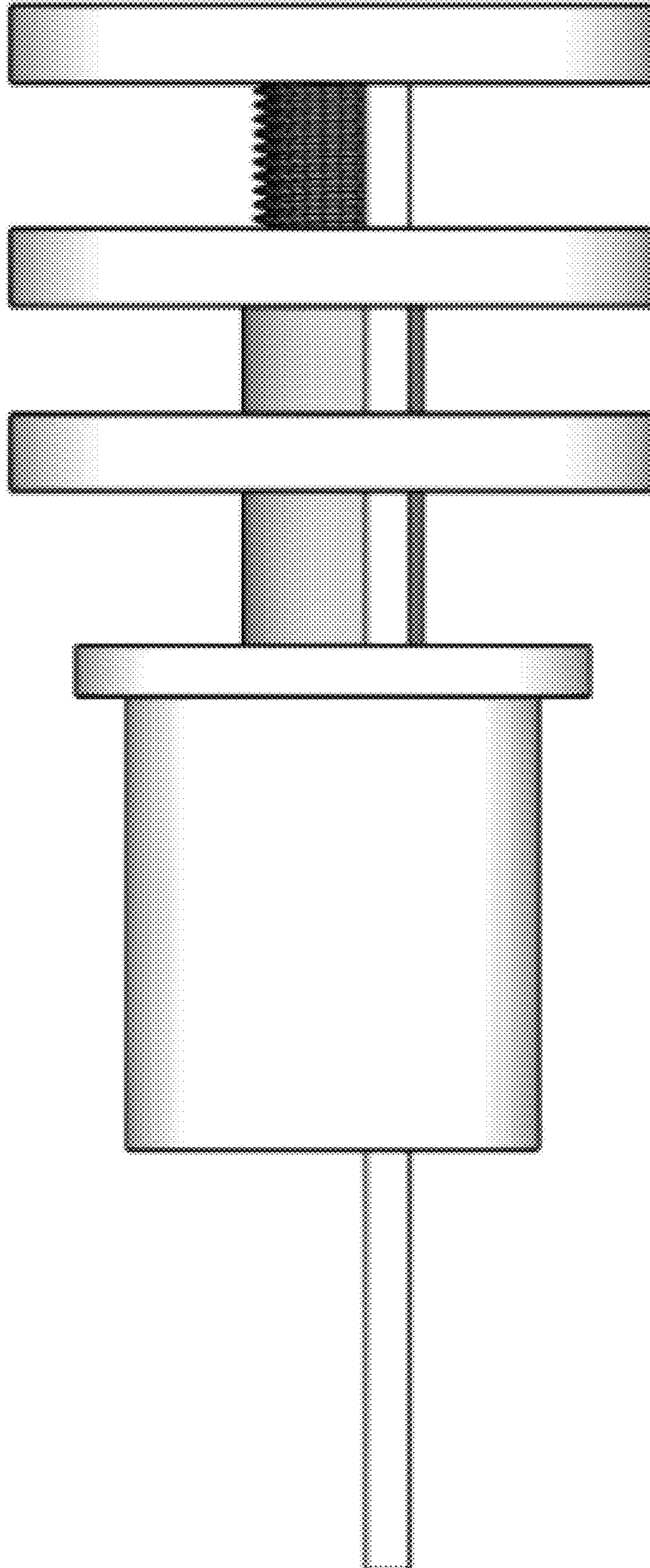
1.4



1.5



1.6



1.7

