



US00D881240S

(12) **United States Design Patent** (10) **Patent No.:** **US D881,240 S**  
**Öztürk** (45) **Date of Patent:** **\*\* Apr. 14, 2020**

- (54) **BREAKER CORE** 5,299,625 A \* 4/1994 Miki ..... B22C 9/084  
164/359
- (71) Applicant: **FOSECO INTERNATIONAL LIMITED**, Barlborough Links, Derbyshire (GB) 5,360,029 A 11/1994 Goughneour  
D356,853 S 3/1995 Fowler  
D369,648 S 5/1996 Fowler  
5,744,173 A 4/1998 Sterett  
6,289,969 B1 9/2001 Outten  
D644,714 S 9/2011 Mauchle  
D653,270 S 1/2012 Furujo  
D744,562 S 12/2015 Hassan  
D772,312 S \* 11/2016 Johnston ..... D15/135  
9,987,676 B2 6/2018 Zumbusch
- (72) Inventor: **Harun Öztürk**, Maltepe (TR) 2004/0256075 A1 12/2004 Schafer  
2005/0247424 A1 11/2005 Prat Urreiztieta  
2008/0230201 A1 9/2008 Skerdi  
2008/0265129 A1 10/2008 Skerdi  
2009/0301684 A1 12/2009 Beckmann  
2013/0037375 A1 2/2013 Salazar Jaulhac
- (73) Assignee: **FOSECO INTERNATIONAL LIMITED**, Barlborough Links, Derbyshire (GB) (Continued)
- (\*\*) Term: **15 Years**
- (21) Appl. No.: **29/714,387**
- (22) Filed: **Nov. 22, 2019**

**Related U.S. Application Data**

- (62) Division of application No. 29/643,997, filed on Apr. 13, 2018.
- (51) **LOC (12) Cl.** ..... **15-09**
- (52) **U.S. Cl.**  
USPC ..... **D15/135**
- (58) **Field of Classification Search**  
USPC ..... D15/135, 136, 137, 138  
CPC .. B22C 9/00; B22C 9/08; B22C 9/084; B22C 9/088  
See application file for complete search history.

**References Cited**

**U.S. PATENT DOCUMENTS**

2,751,646 A	6/1956	Mann
3,815,665 A	6/1974	Baur
4,043,378 A	8/1977	Pennington
4,141,406 A	2/1979	Wukovich
4,188,010 A	2/1980	Reiland
4,423,762 A	1/1984	Trinkl
4,574,869 A	3/1986	Trinkl
4,665,966 A	5/1987	Neu

**OTHER PUBLICATIONS**

Design U.S. Appl. No. 29/643,997, filed Apr. 13, 2018; Harun Öztürk.

*Primary Examiner* — Patricia A Palasik

(74) *Attorney, Agent, or Firm* — Nixon & Vanderhye PC

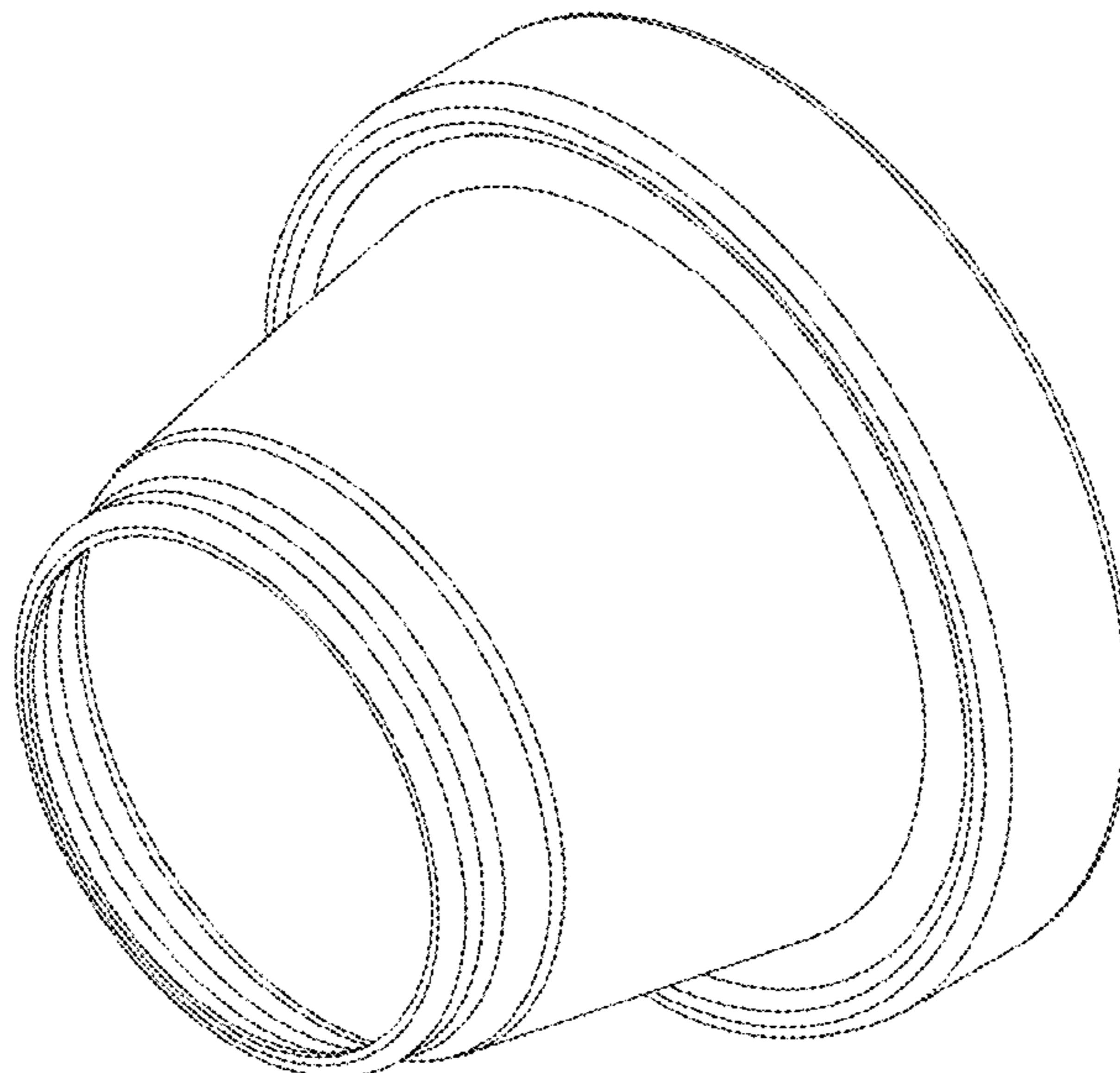
(57) **CLAIM**

The ornamental design for a breaker core, as shown and described.

**DESCRIPTION**

FIG. 1 is a bottom perspective view of my new design; FIG. 2 is a top perspective view thereof; FIG. 3 is a front elevation view thereof, the rear elevation view being identical to the front view; FIG. 4 is a right side view thereof; FIG. 5 is a bottom plan view thereof; FIG. 6 is a top plan view thereof; and, FIG. 7 is a side cross-sectional view, taken across the line shown in FIG. 5.

**1 Claim, 7 Drawing Sheets**



(56)

**References Cited**

U.S. PATENT DOCUMENTS

2013/0299118	A1	11/2013	Zhu	
2015/0034801	A1	2/2015	Lennarchand	
2016/0030999	A1	2/2016	Zumbusch	
2016/0199904	A1	7/2016	Arai	
2017/0050238	A1	2/2017	Aufderheide	
2017/0056965	A1 *	3/2017	Schaefer .....	B22C 9/084
2017/0209917	A1	7/2017	Volks	
2018/0021847	A1	1/2018	Sugiyama	
2018/0071815	A1	3/2018	Shao	
2018/0318912	A1	11/2018	Trinowski	
2018/0361470	A1	12/2018	Rotmann	

\* cited by examiner

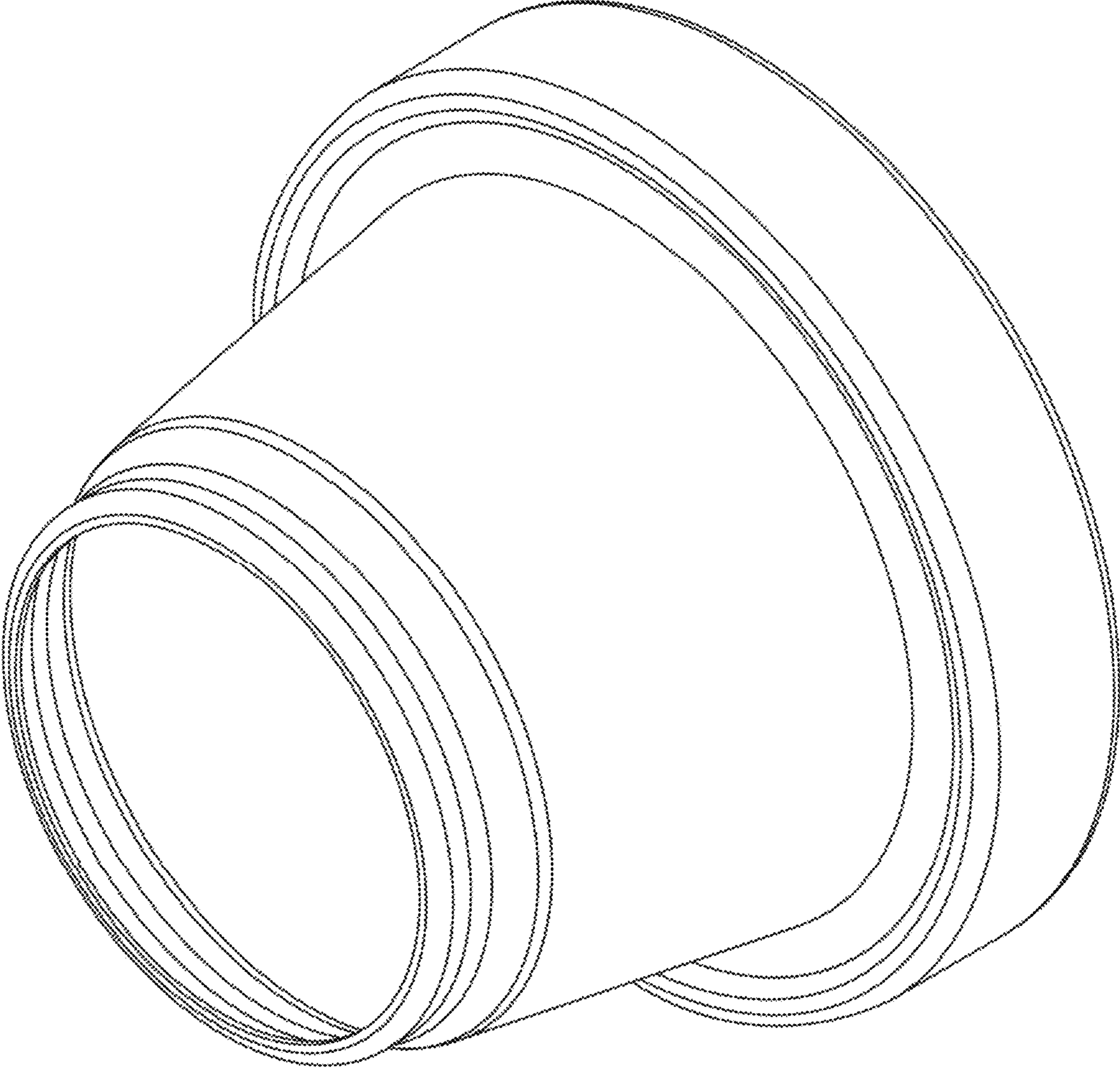


Fig. 1

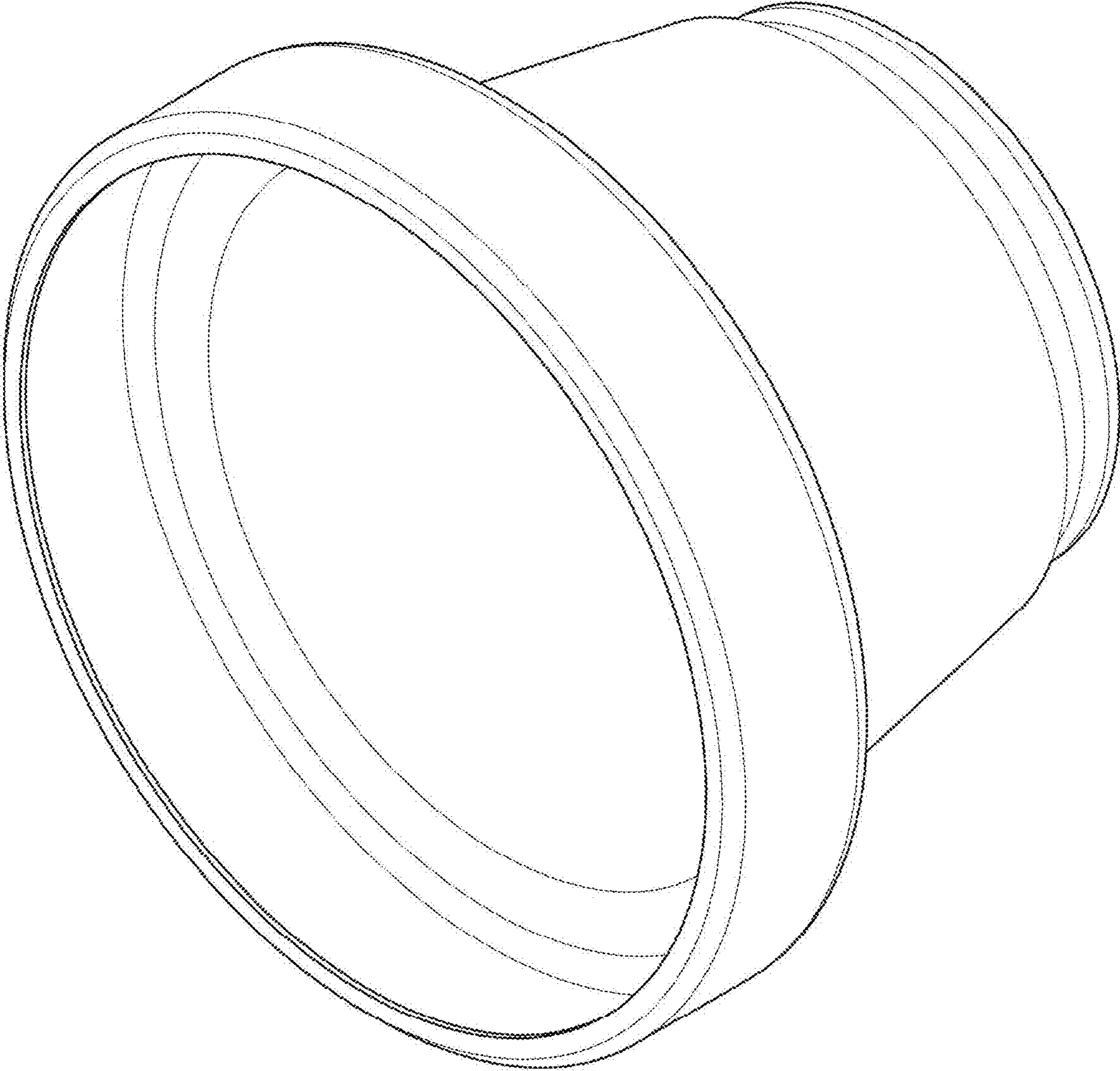


Fig. 2

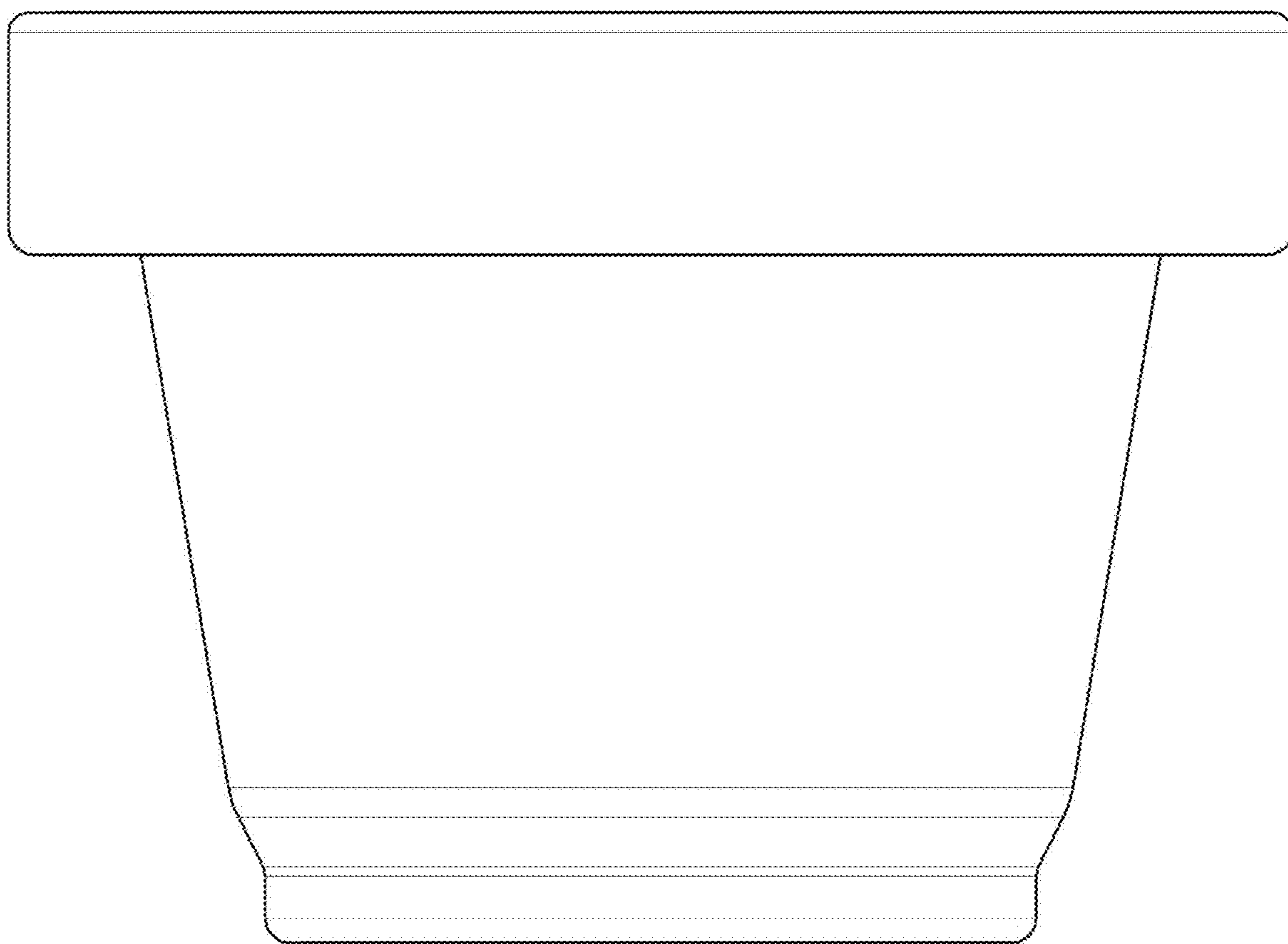


Fig. 3



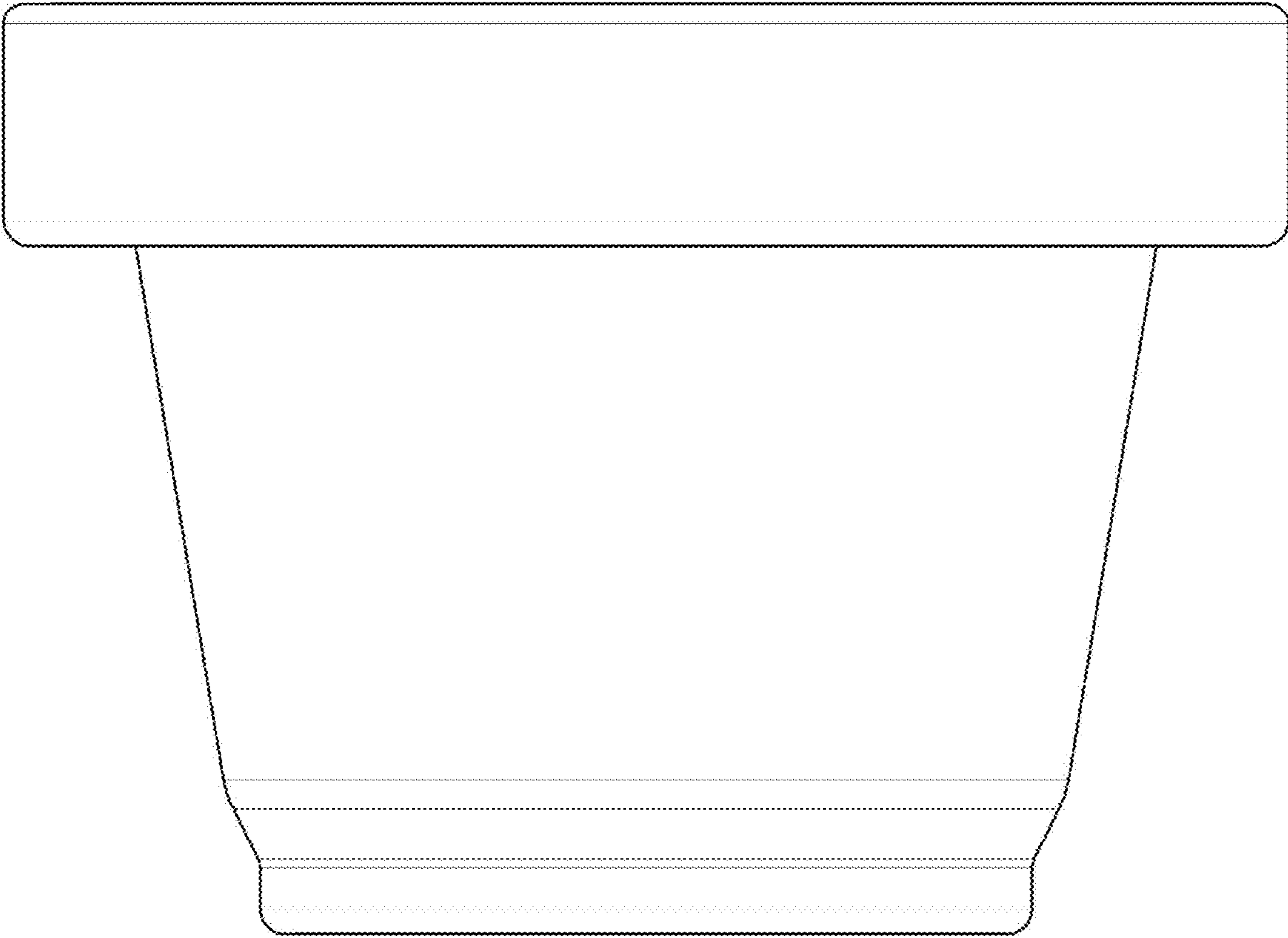


Fig. 4

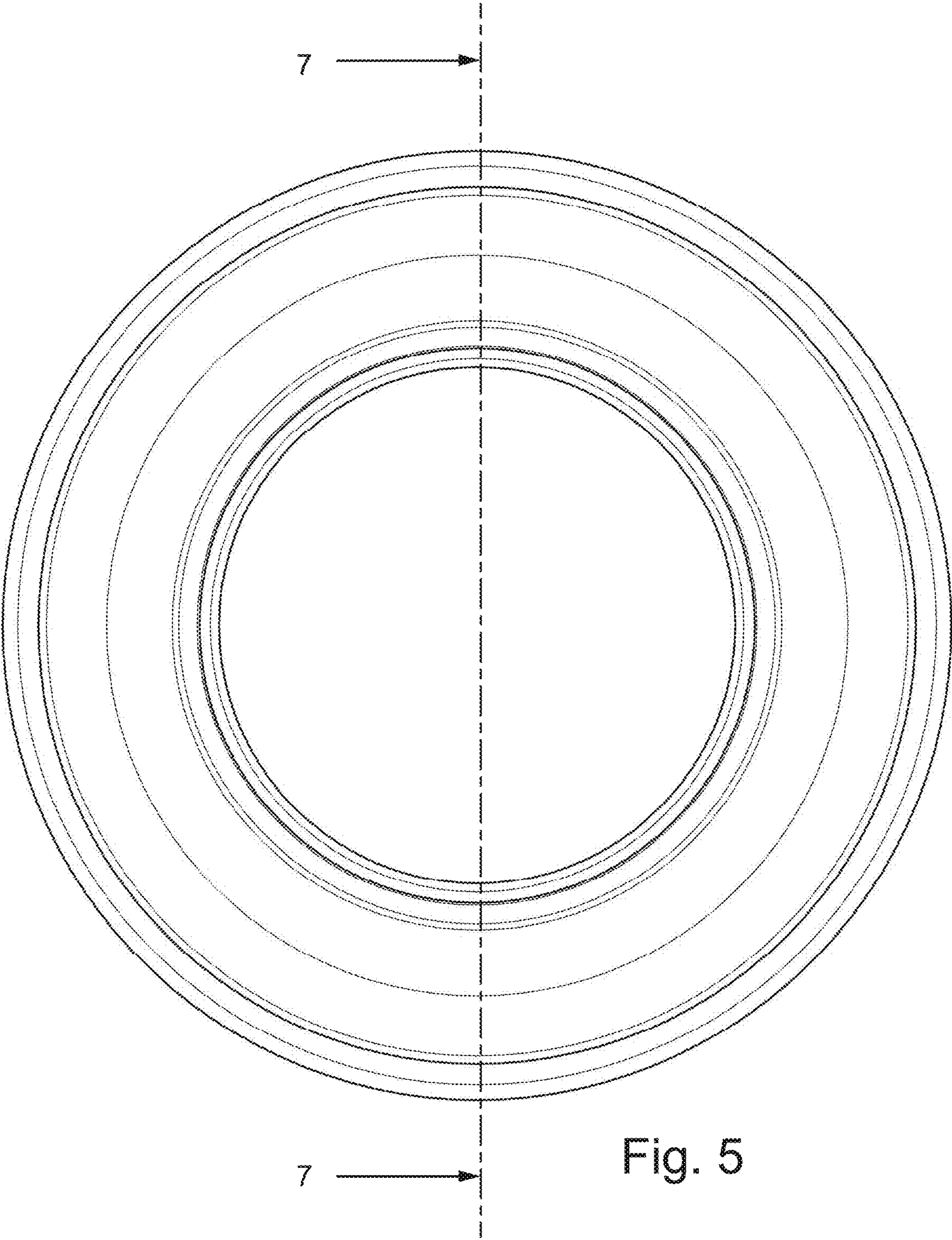


Fig. 5

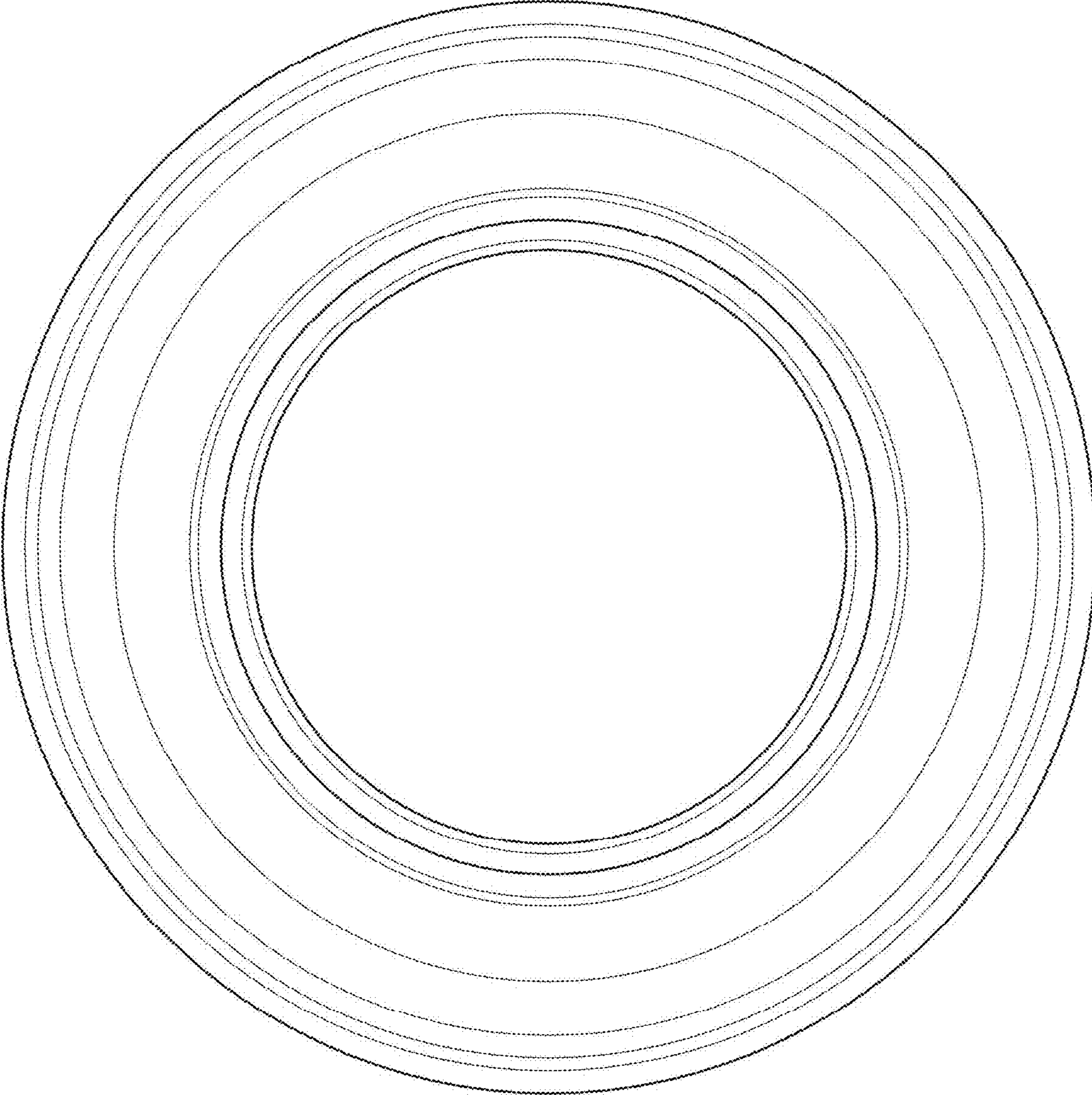


Fig. 6



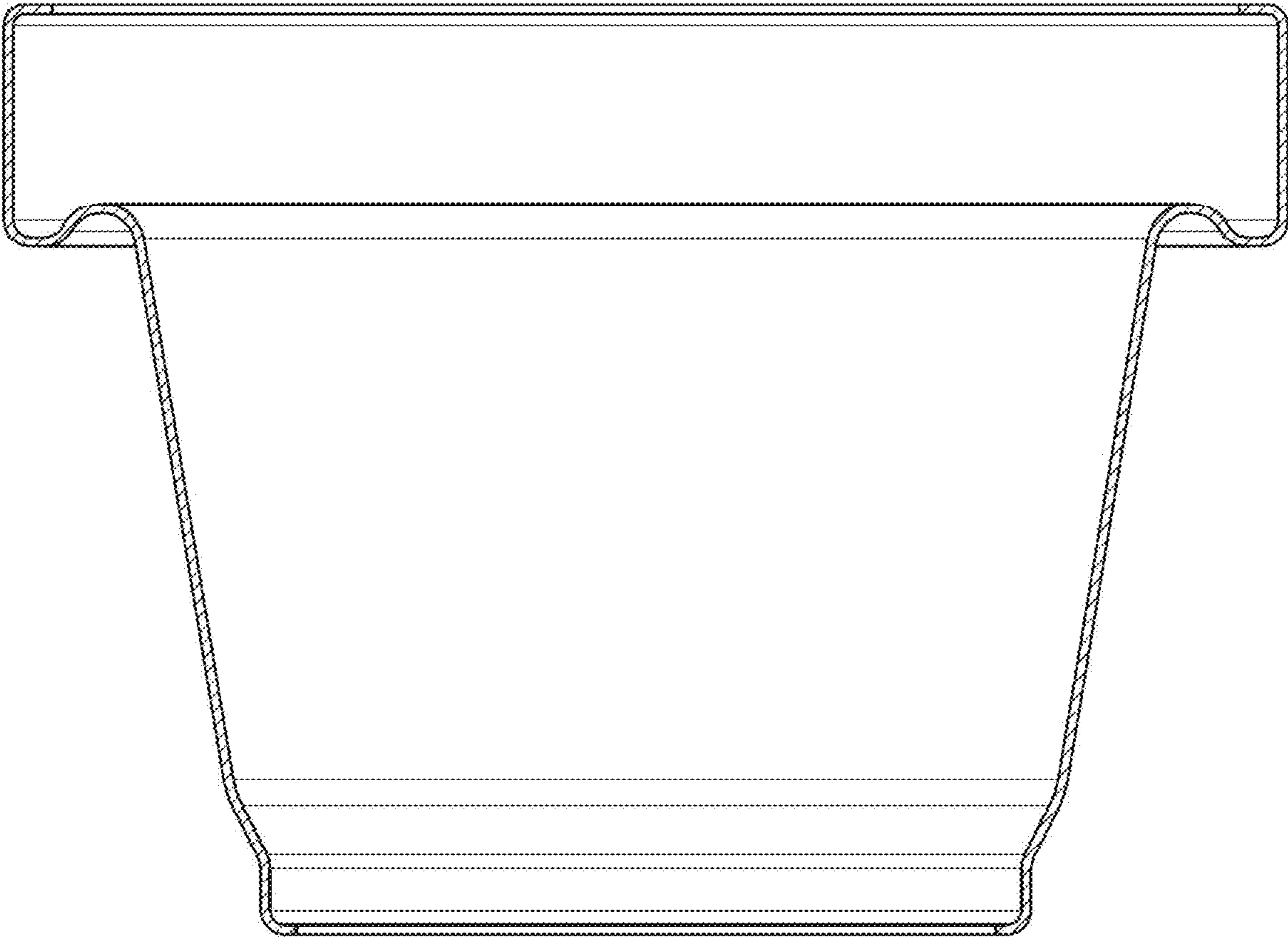


Fig. 7