



US00D881239S

(12) **United States Design Patent**
Gregory

(10) **Patent No.:** **US D881,239 S**
(45) **Date of Patent:** **** Apr. 14, 2020**

- (54) **UNDERGROUND LOADER BUCKET**
- (71) Applicant: **Goldmont Engineering Pty Ltd,**
Kalgoorlie, Western Australia (AU)
- (72) Inventor: **Roy Joseph Gregory,** Kalgoorlie (AU)
- (73) Assignee: **Goldmont Engineering Pty Ltd,**
Kalgoorlie (AU)
- (**) Term: **15 Years**
- (21) Appl. No.: **29/692,457**
- (22) Filed: **May 24, 2019**
- (30) **Foreign Application Priority Data**

5,147,011	A *	9/1992	Hvolka	B60P 1/025 180/242
5,353,531	A *	10/1994	Doucette	E02F 3/286 37/379
D357,260	S *	4/1995	Kallen	D15/32
5,526,591	A *	6/1996	Otwell	E02F 3/40 37/379
5,592,760	A *	1/1997	Kohout	E02F 3/402 37/403
5,984,618	A *	11/1999	Deneve	E02F 3/283 414/697
D425,527	S *	5/2000	Deyo	D15/32
D469,786	S *	2/2003	Miller	D15/24
D522,536	S *	6/2006	Oh	D15/29
D524,826	S *	7/2006	Boyapally	D15/29
D541,311	S *	4/2007	Oh	D15/29
D551,684	S *	9/2007	McClallen	D15/32
D616,469	S *	5/2010	Ballinger	D15/32
D752,655	S *	3/2016	Morinaga	D15/28
D766,995	S *	9/2016	Annetts	D15/32
D788,181	S *	5/2017	Deleon	D15/28

(Continued)

Nov. 26, 2018 (AU) 201817093

- (51) **LOC (12) Cl.** **15-03**
- (52) **U.S. Cl.**
USPC **D15/32**
- (58) **Field of Classification Search**
USPC D15/28, 29, 32
CPC E02F 3/40; E02F 3/96; E02F 3/04; E02F
3/962; E02F 3/404; E02F 3/401; E02F
9/24; E02F 9/28; B65G 2812/02742;
B65G 17/36
See application file for complete search history.

Primary Examiner — Mark A Goodwin
(74) *Attorney, Agent, or Firm* — Hamre, Schumann,
Mueller & Larson, P.C.

(57) **CLAIM**

The ornamental design for an underground loader bucket, as shown and described.

DESCRIPTION

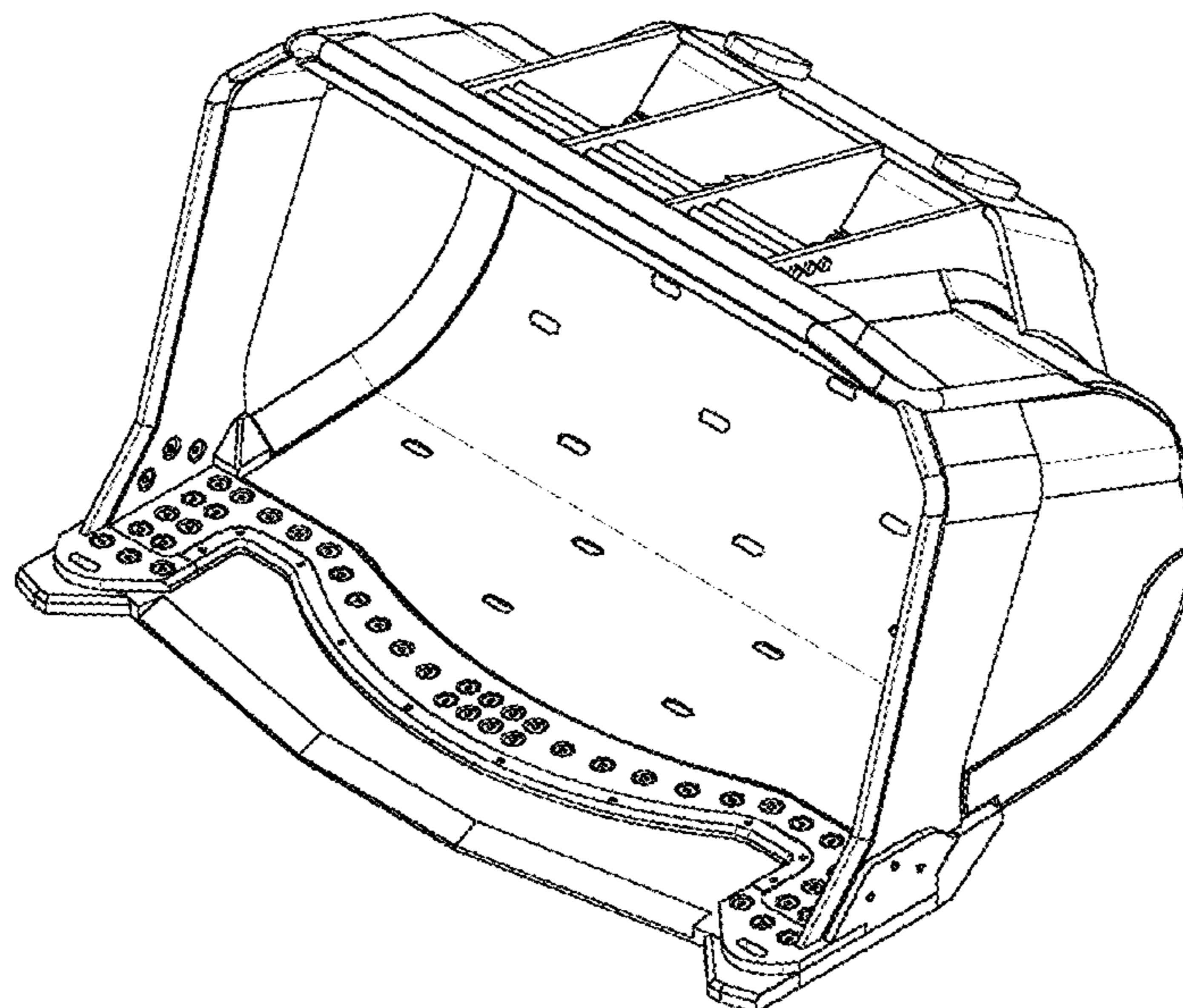
FIG. 1 is a perspective view of an underground loader bucket of the new design.
FIG. 2 is another perspective view of the underground loader bucket.
FIG. 3 is a side view thereof. The other side is identical in appearance.
FIG. 4 is a rear view thereof.
FIG. 5 is a top view thereof.
FIG. 6 is a front view thereof; and,
FIG. 7 is a bottom view thereof.

1 Claim, 7 Drawing Sheets

(56) **References Cited**

U.S. PATENT DOCUMENTS

1,864,793	A *	6/1932	Botten	B66C 3/02 37/184
4,231,173	A *	11/1980	Davis	E02F 9/2825 172/762
D274,622	S *	7/1984	Neander	D15/32
4,480,955	A *	11/1984	Andrews	E02F 3/3622 37/403
D308,528	S *	6/1990	Harr	D15/32



(56)

References Cited

U.S. PATENT DOCUMENTS

D807,407 S * 1/2018 Takagi D15/32
D867,405 S * 11/2019 Edavankattil D15/32

* cited by examiner

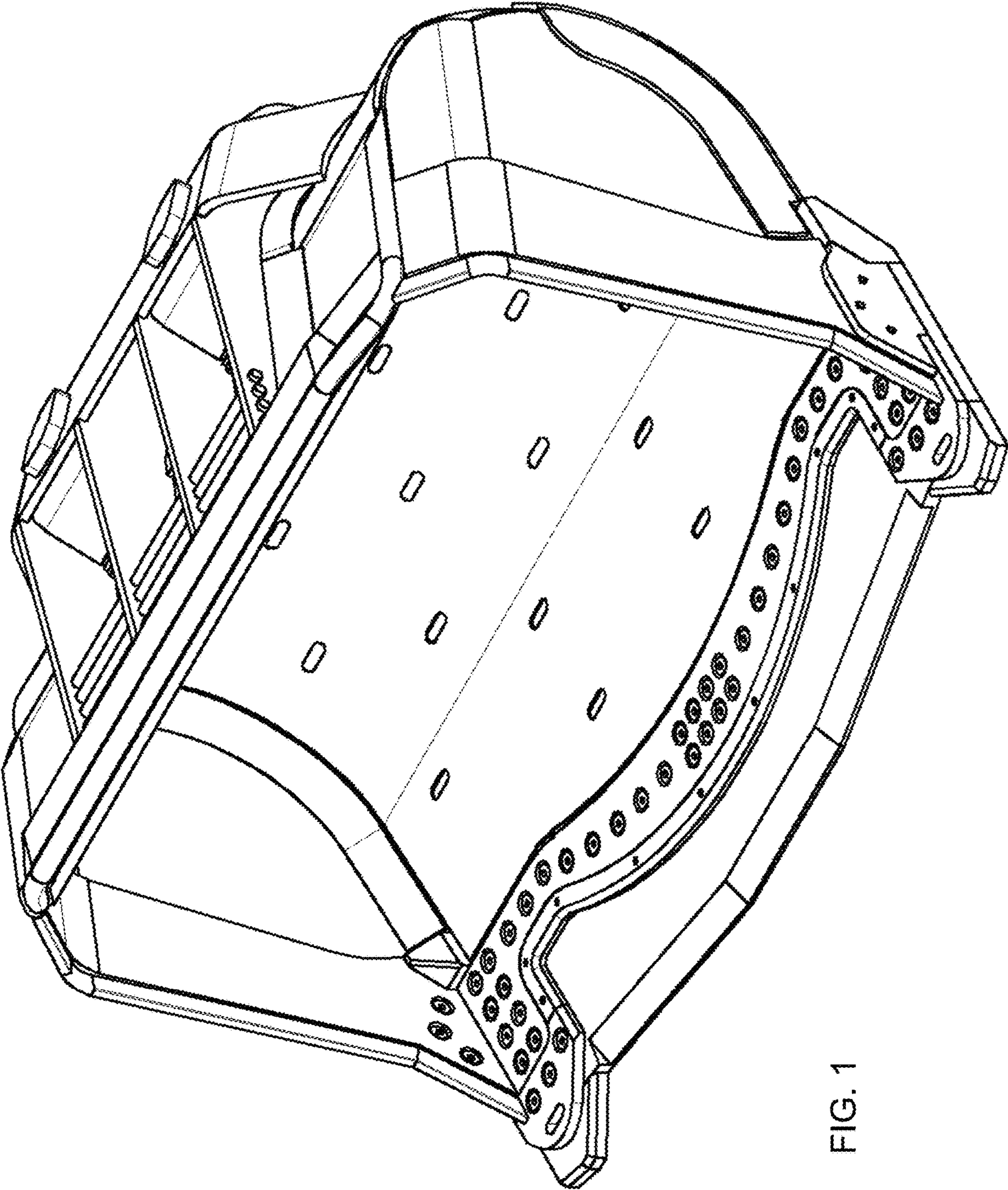


FIG. 1

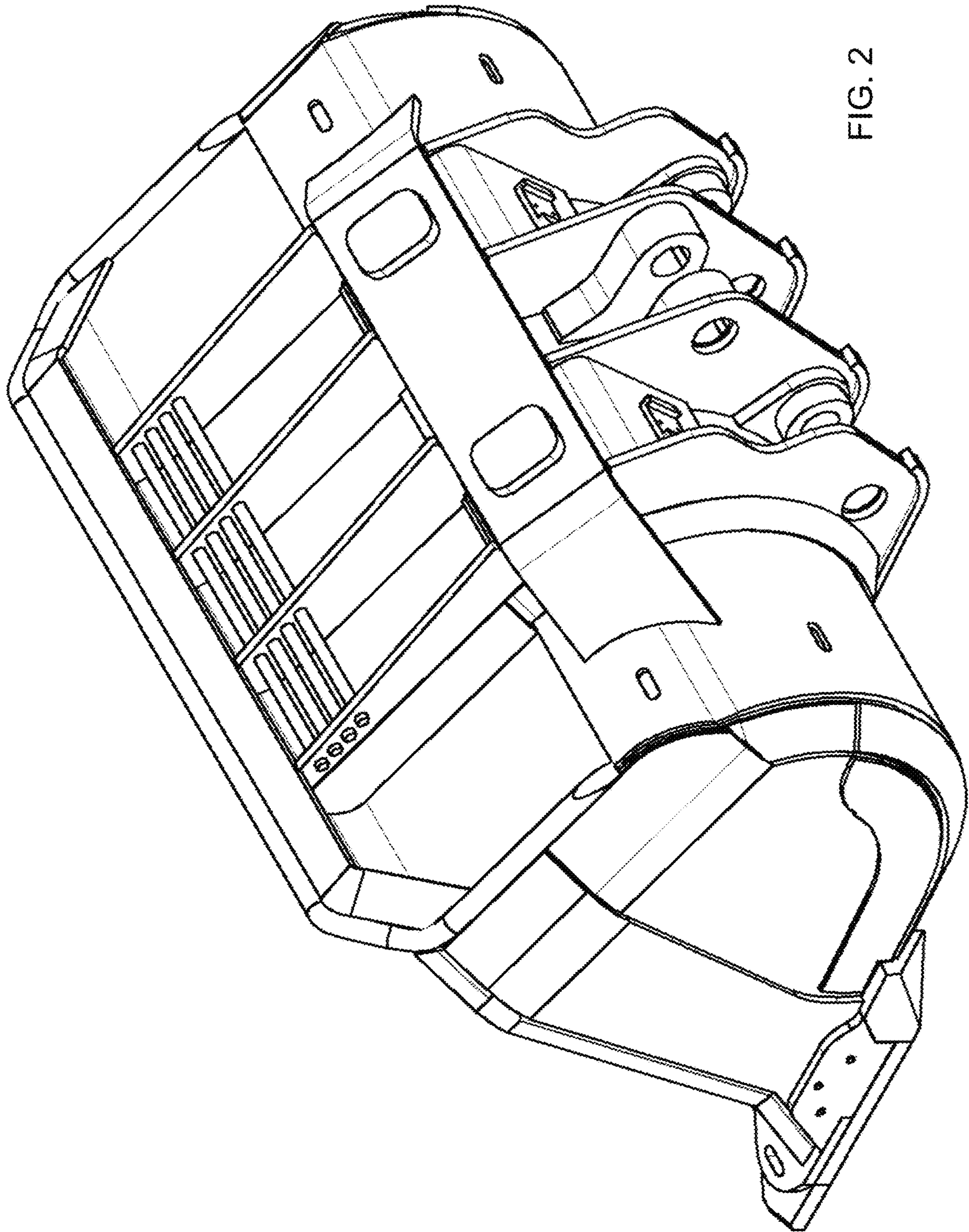


FIG. 2

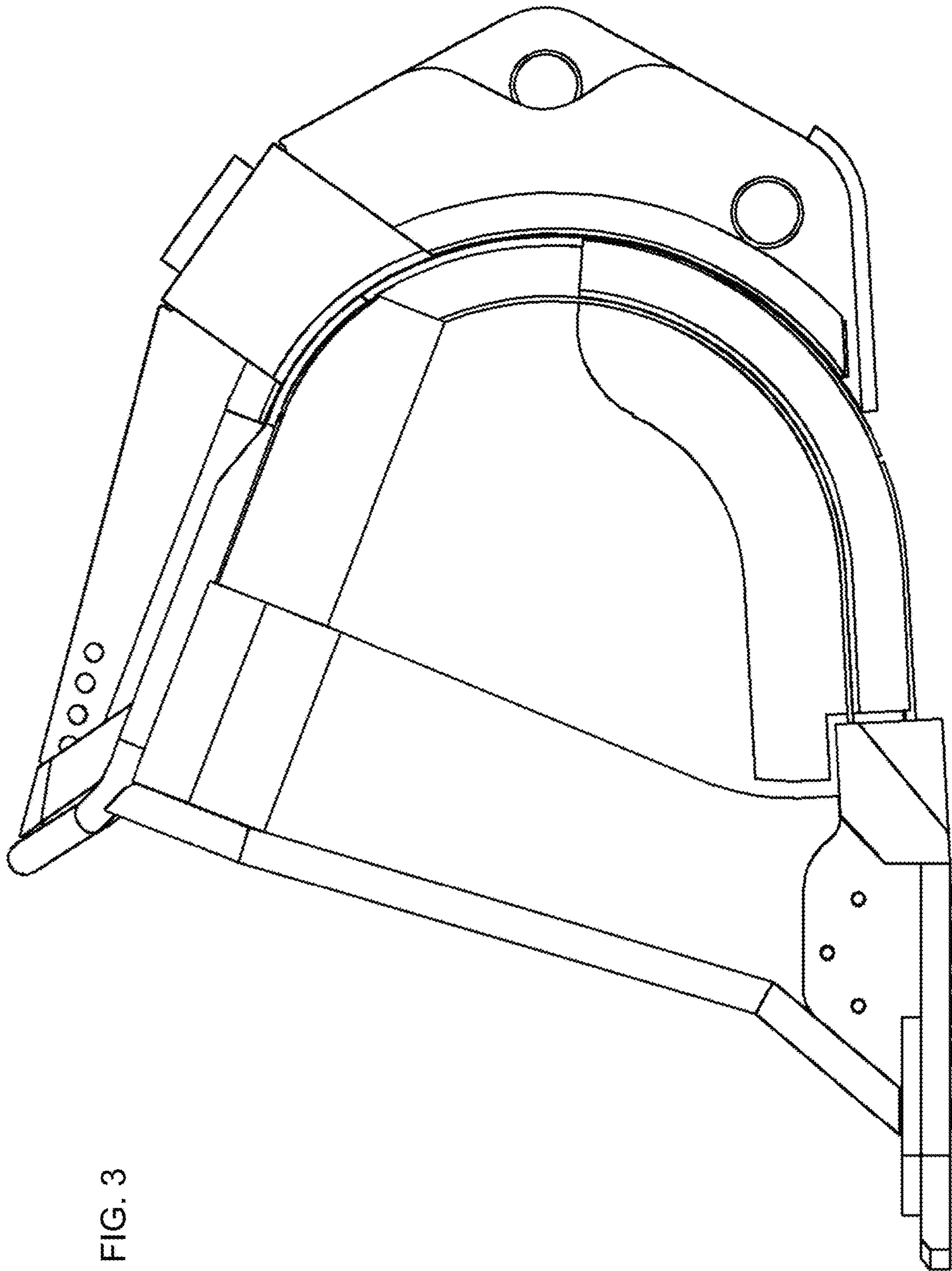


FIG. 3

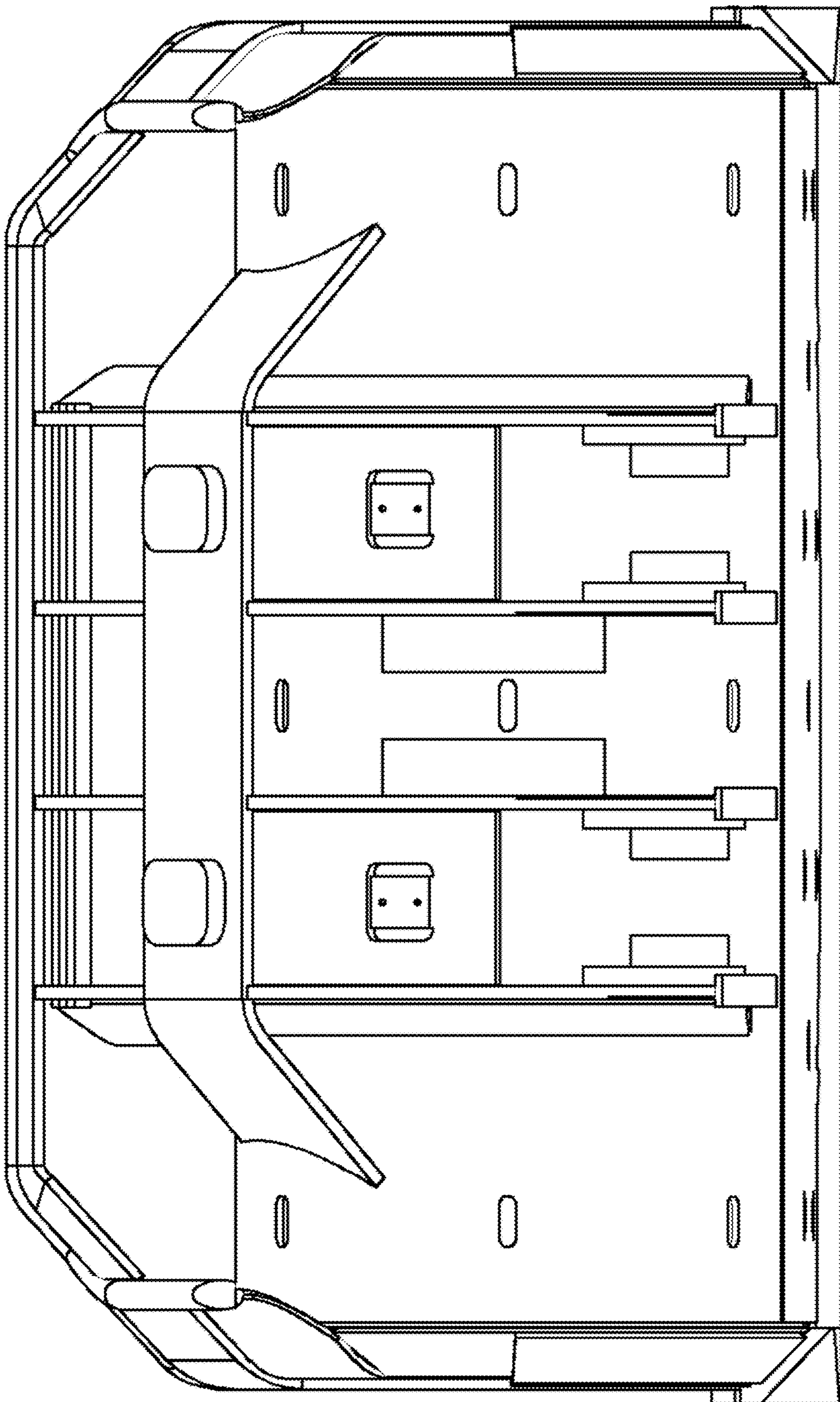


FIG. 4

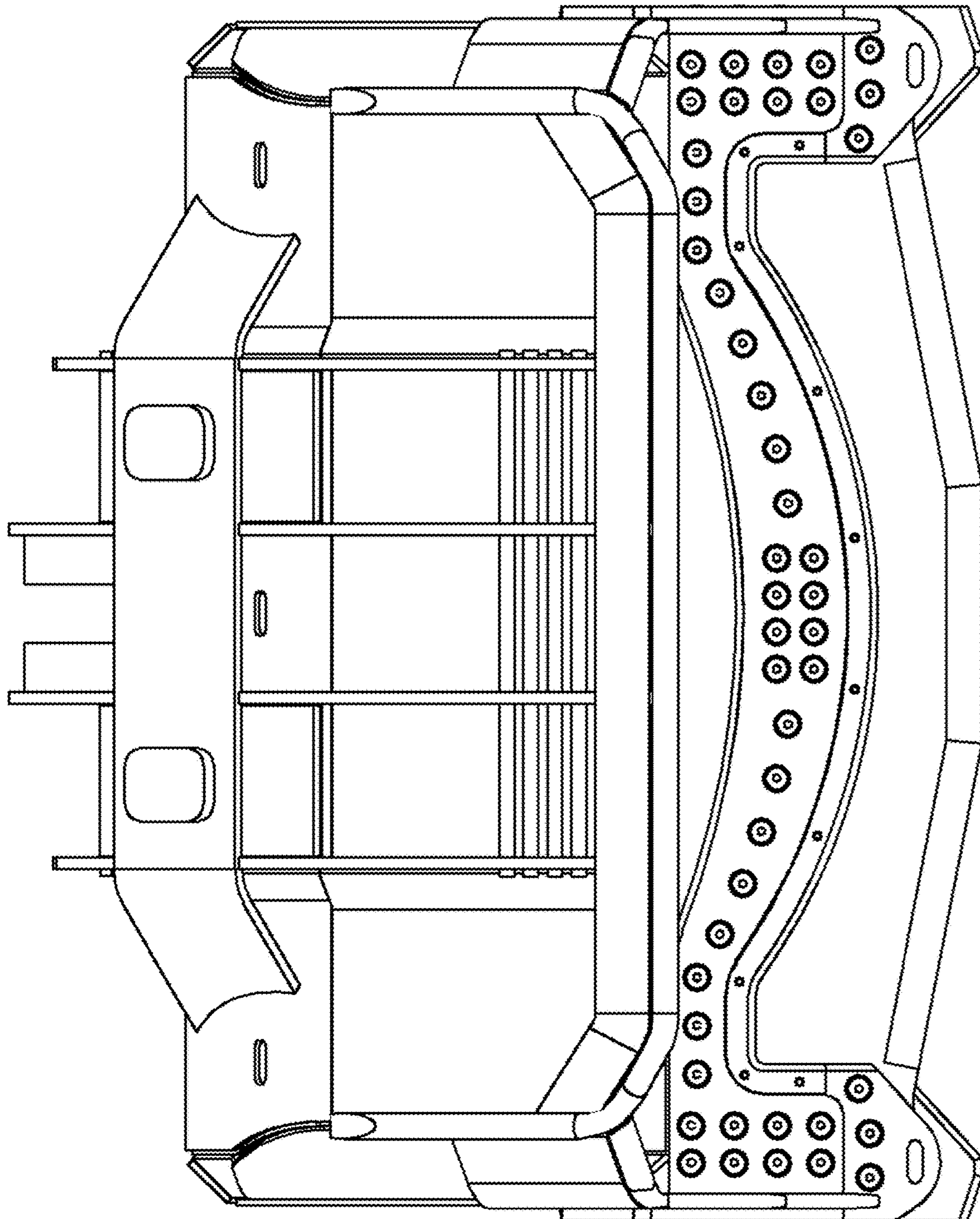


FIG. 5

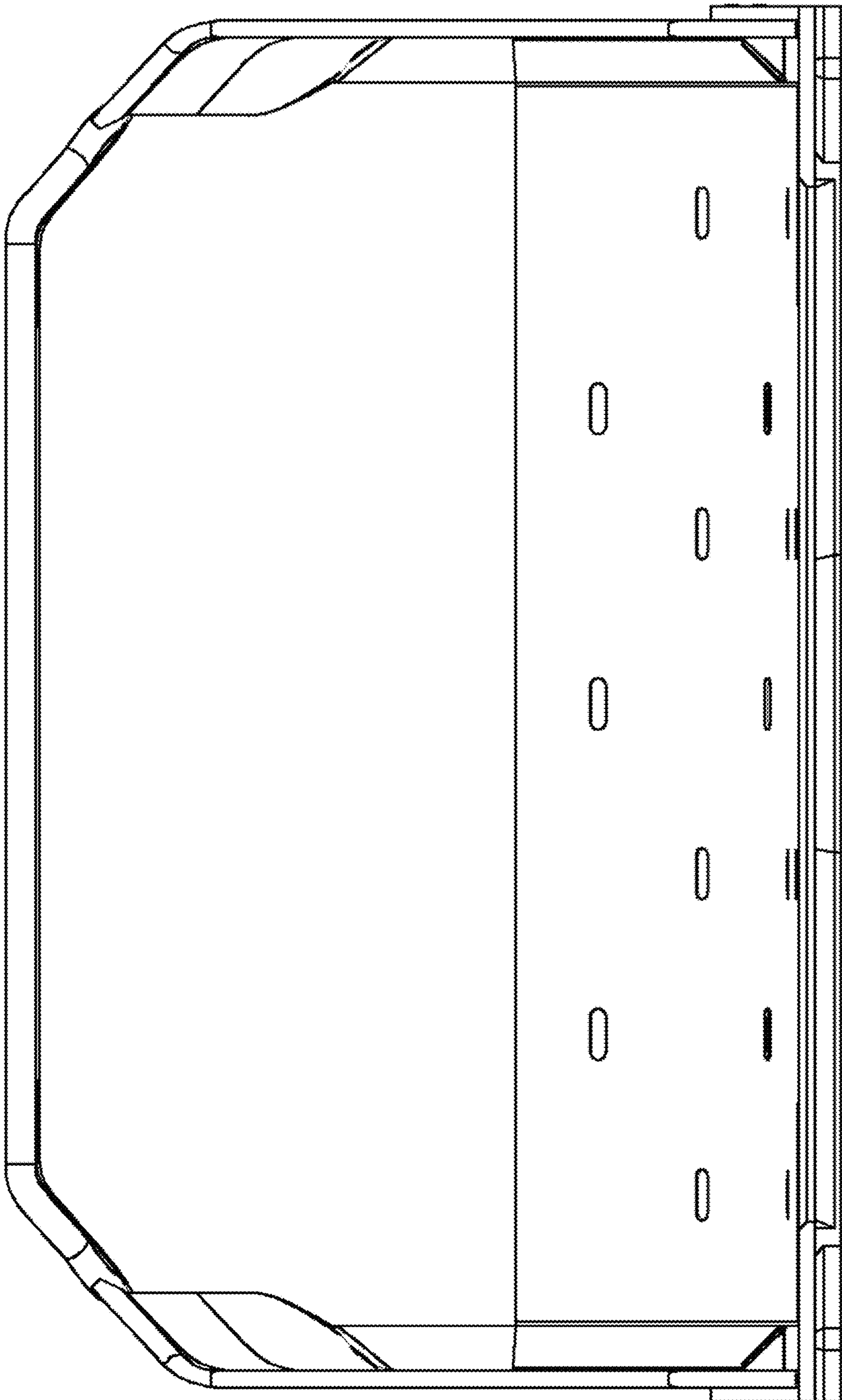


FIG. 6

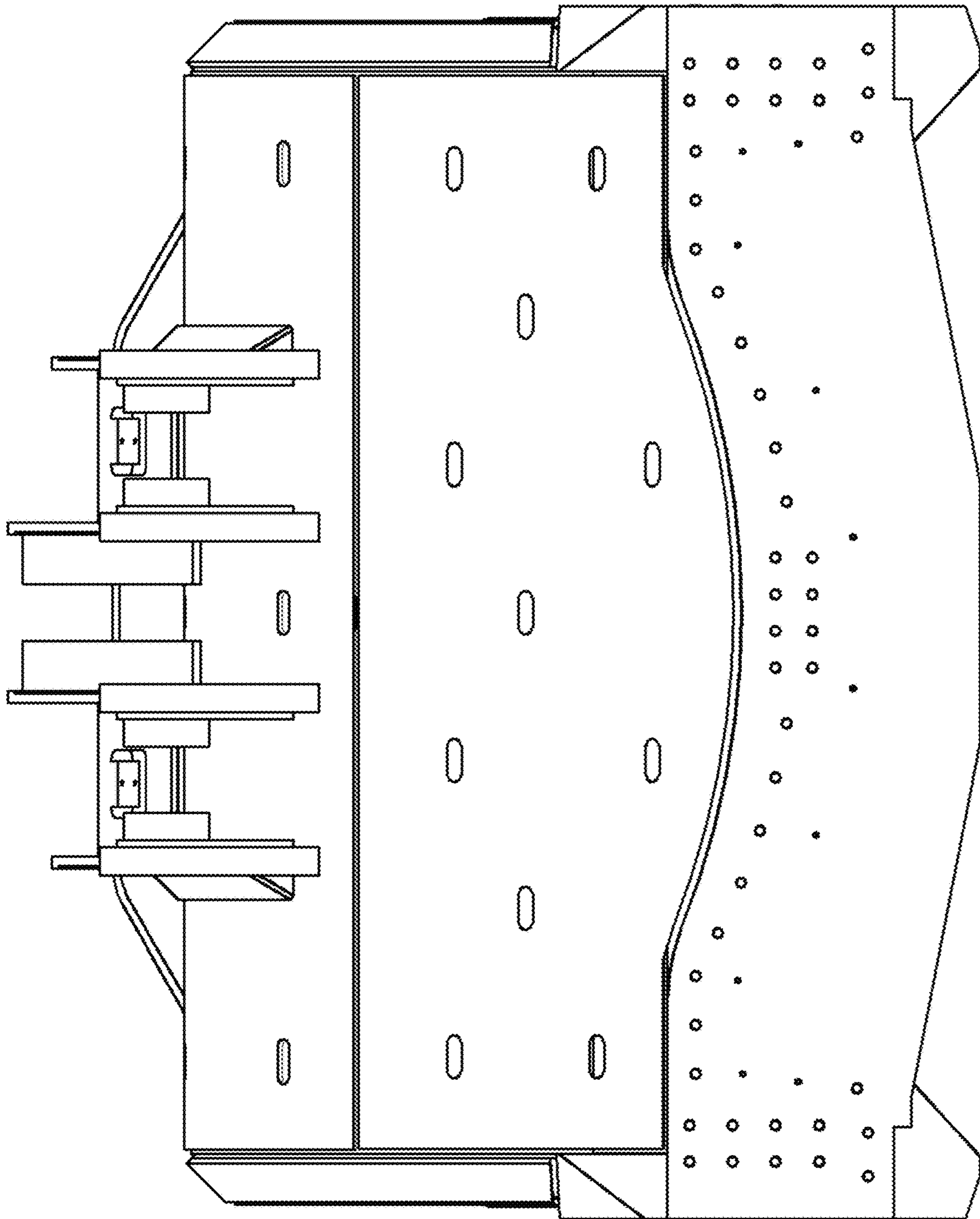


FIG. 7