



US00D881238S

(12) **United States Design Patent**
Hong et al.

(10) **Patent No.:** **US D881,238 S**
(45) **Date of Patent:** **** Apr. 14, 2020**

(54) **COMPRESSOR**

(71) Applicant: **ACTIVE TOOLS INTERNATIONAL (HK) LTD.**, Causeway Bay (CN)

(72) Inventors: **Allen Hong**, Causeway Bay (CN);
David Hong Ying Chi, Causeway Bay (CN)

(73) Assignee: **ACTIVE TOOLS INTERNATIONAL (HK) LTD.**, Causeway Bay (HK)

(**) Term: **15 Years**

(21) Appl. No.: **29/648,172**

(22) Filed: **May 18, 2018**

(51) **LOC (12) Cl.** **15-02**

(52) **U.S. Cl.**
USPC **D15/9**

(58) **Field of Classification Search**
USPC D15/7-9; D23/231, 232
CPC F04B 41/00-41/06; F04B 31/00; F04B 35/00; F04B 53/92; F04B 1/005; F02M 37/04; F02M 37/14
See application file for complete search history.

(56) **References Cited**

U.S. PATENT DOCUMENTS

D498,243 S	*	11/2004	Chou	D15/7
D498,767 S	*	11/2004	Chou	D15/7
D498,769 S	*	11/2004	Chou	D15/9
D499,426 S	*	12/2004	Chou	D15/7
D582,945 S	*	12/2008	Chou	D15/9
D626,571 S	*	11/2010	Eckhardt	D15/9
D627,795 S	*	11/2010	Eckhardt	D15/9
D627,796 S	*	11/2010	Eckhardt	D15/9
D629,424 S	*	12/2010	Eckhardt	D15/9
D644,252 S	*	8/2011	Kojima	D15/9
D657,801 S	*	4/2012	Eckhardt	D15/9
D670,313 S	*	11/2012	Ohm	D15/7

D672,368 S	*	12/2012	Wong	D15/9
D678,351 S	*	3/2013	Wong	D15/9
D679,291 S	*	4/2013	Ohm	D15/7
D695,319 S	*	12/2013	Ohm	D15/9
D703,241 S	*	4/2014	Eckhardt	D15/9
D722,618 S	*	2/2015	Wong	D15/9
D723,588 S	*	3/2015	Wang	D15/9
D727,972 S	*	4/2015	Jhou	D15/9
D727,973 S	*	4/2015	Jhou	D15/9
D734,367 S	*	7/2015	Jhou	D15/9
D737,864 S	*	9/2015	Jhou	D15/9
D754,209 S	*	4/2016	Chou	D15/7
D778,959 S	*	2/2017	Marini	D15/7
D800,788 S	*	10/2017	Petersen	D15/7
D803,269 S	*	11/2017	Schmidt	D15/7
D814,524 S	*	4/2018	Costle	D15/7
D828,404 S	*	9/2018	Gan	D15/9
D832,889 S	*	11/2018	Zheng	D15/7
D838,749 S	*	1/2019	Gan	D15/7
D839,924 S	*	2/2019	Tuang	D15/9

* cited by examiner

Primary Examiner — Mitchell I. Siegel
(74) *Attorney, Agent, or Firm* — Marshall, Gerstein & Borun LLP

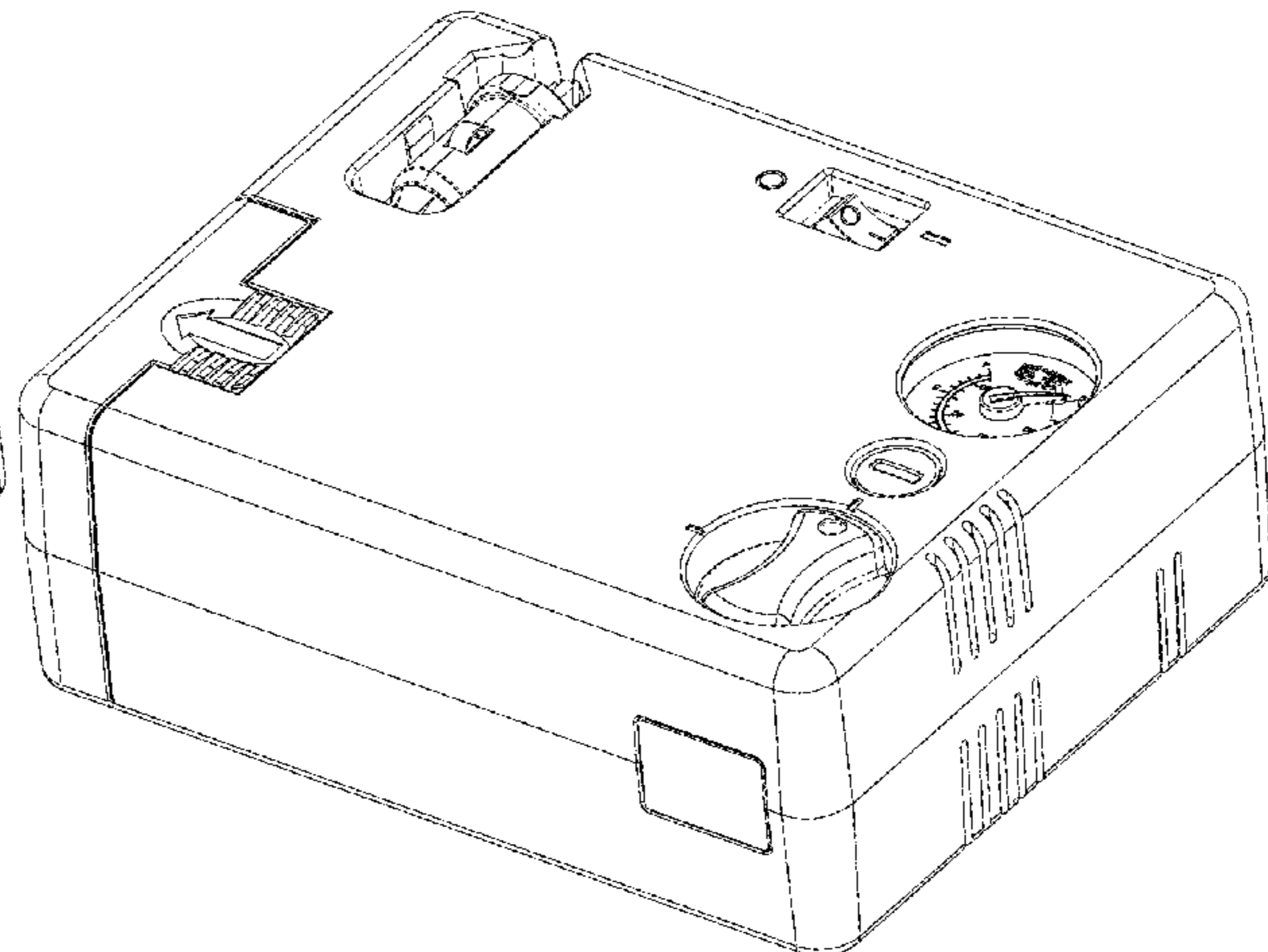
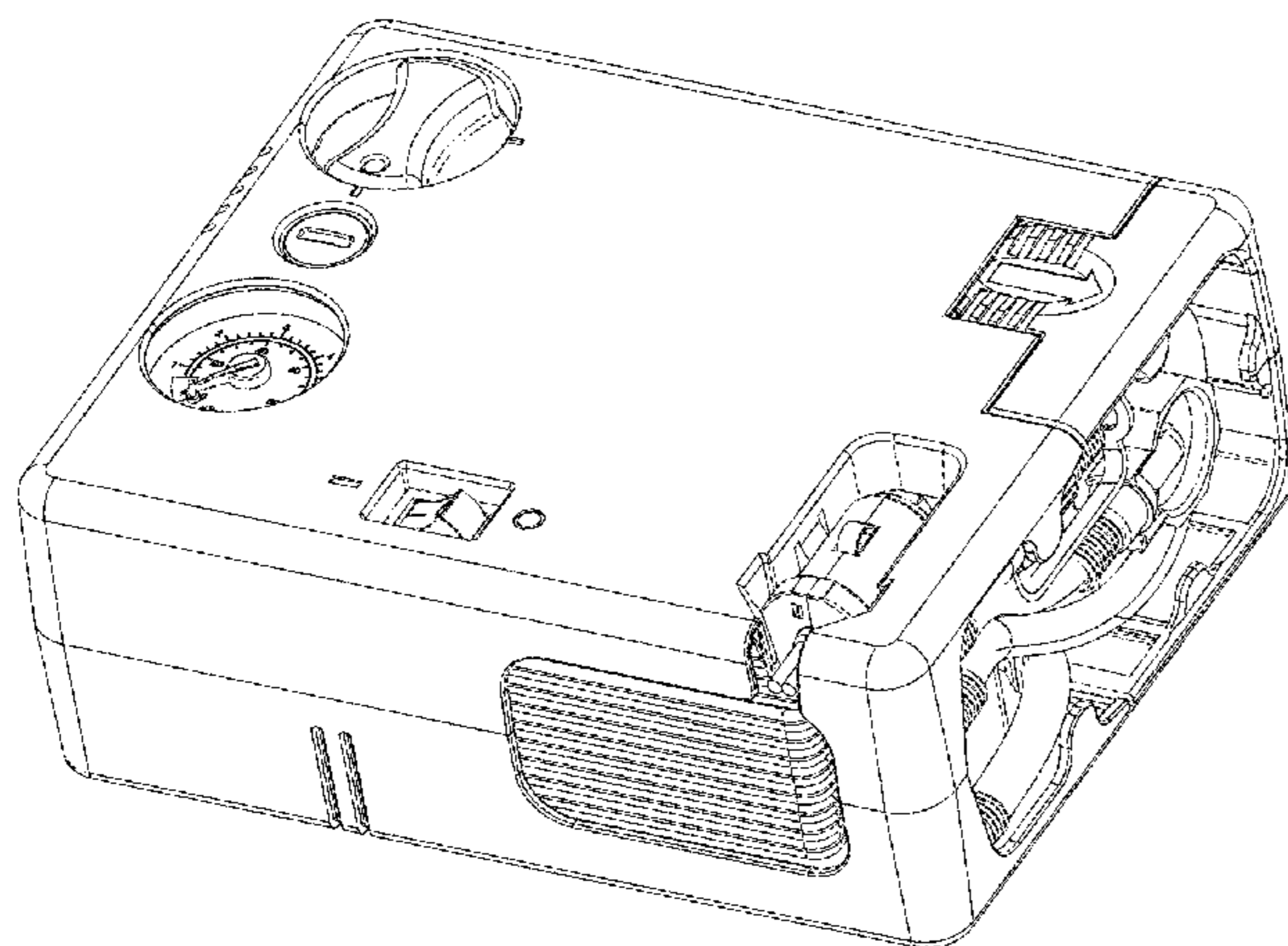
(57) **CLAIM**

The ornamental design for a compressor, as shown and described.

DESCRIPTION

FIG. 1 is a top, front, left perspective view of a compressor showing our new ornamental design;
FIG. 2 is a top, front, right perspective view thereof;
FIG. 3 is a front view thereof;
FIG. 4 is a rear view thereof;
FIG. 5 is a right view thereof;
FIG. 6 is a left view thereof;
FIG. 7 is bottom view thereof; and,
FIG. 8 is a top view thereof.

1 Claim, 4 Drawing Sheets



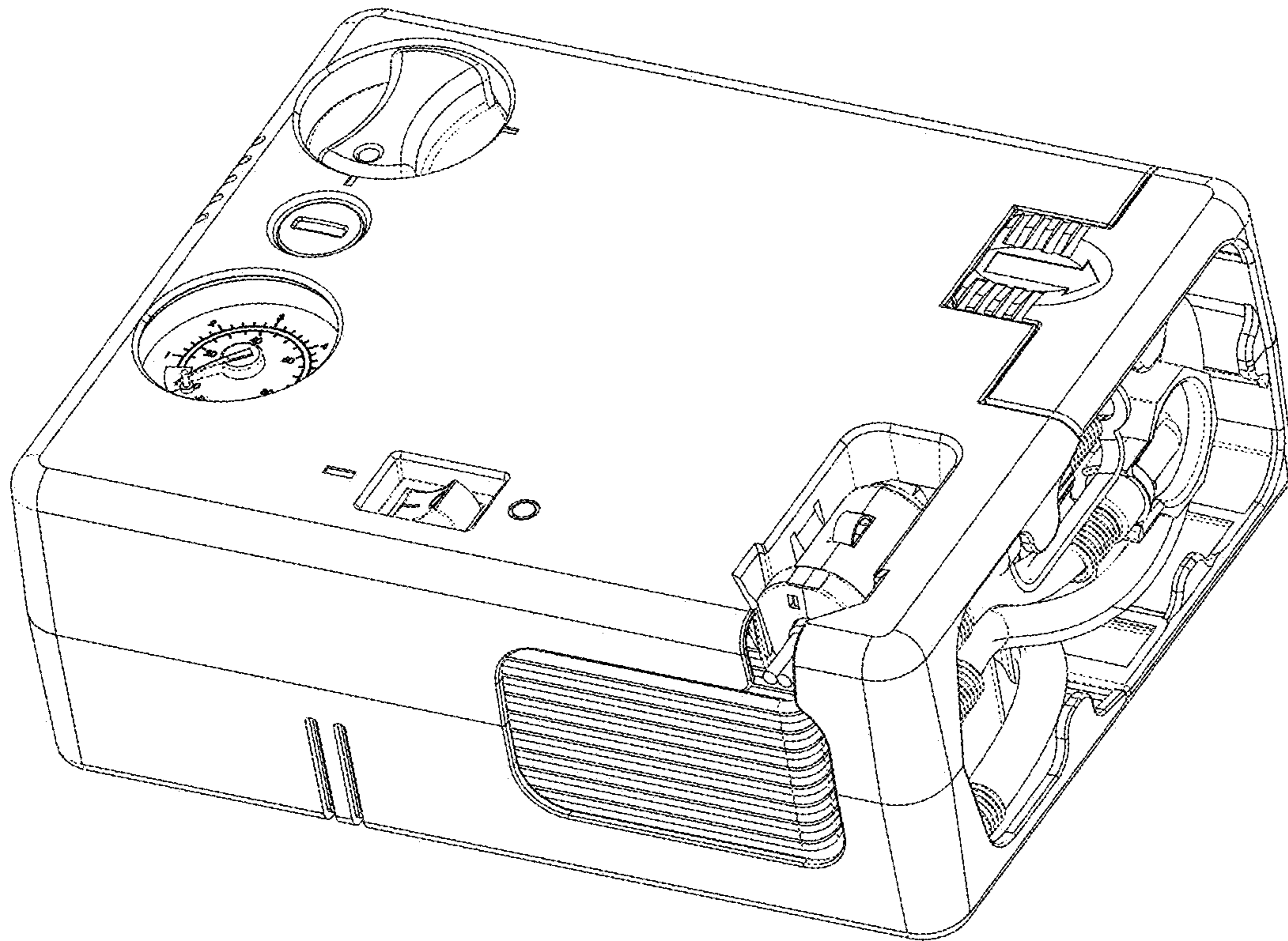


Figure 1

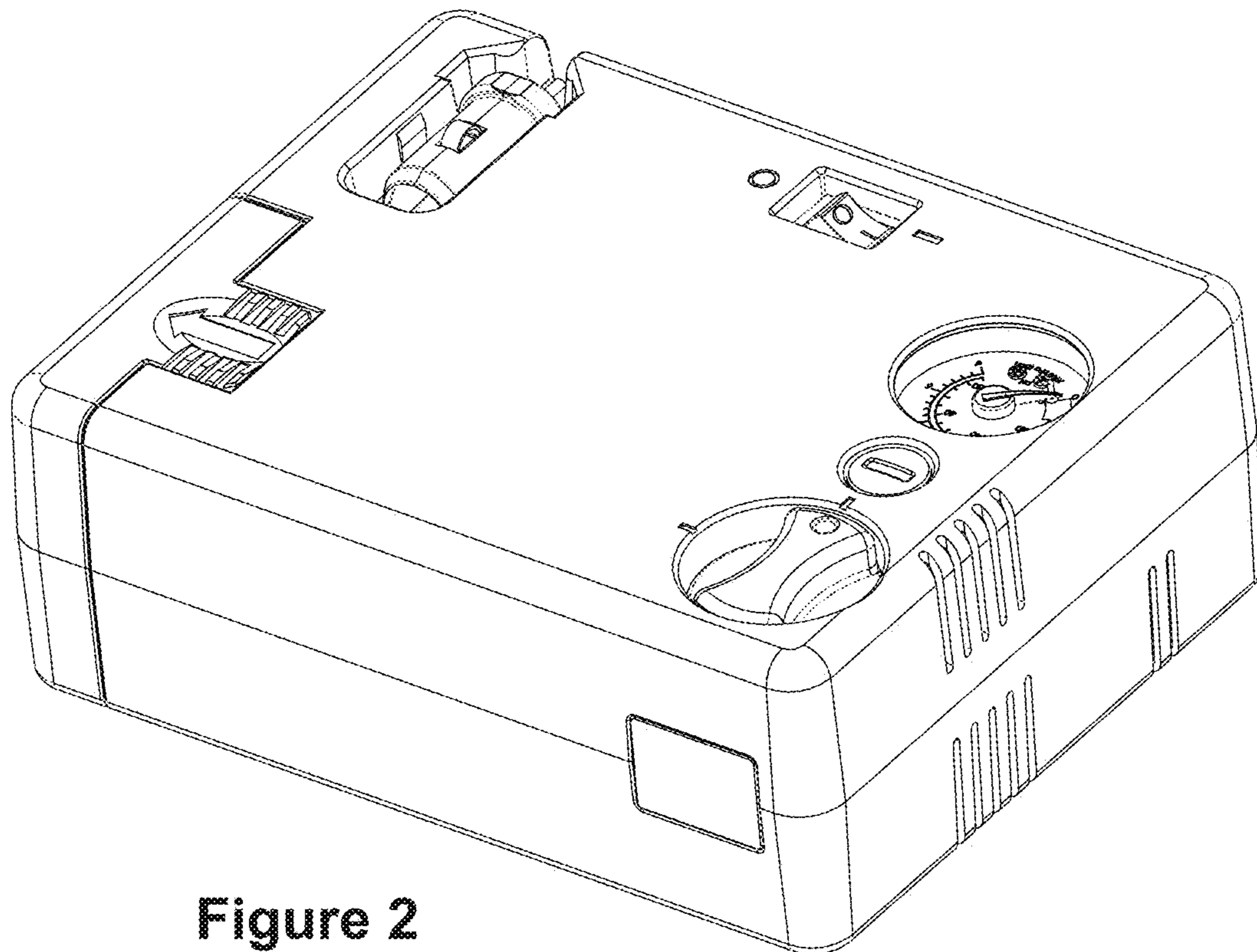


Figure 2

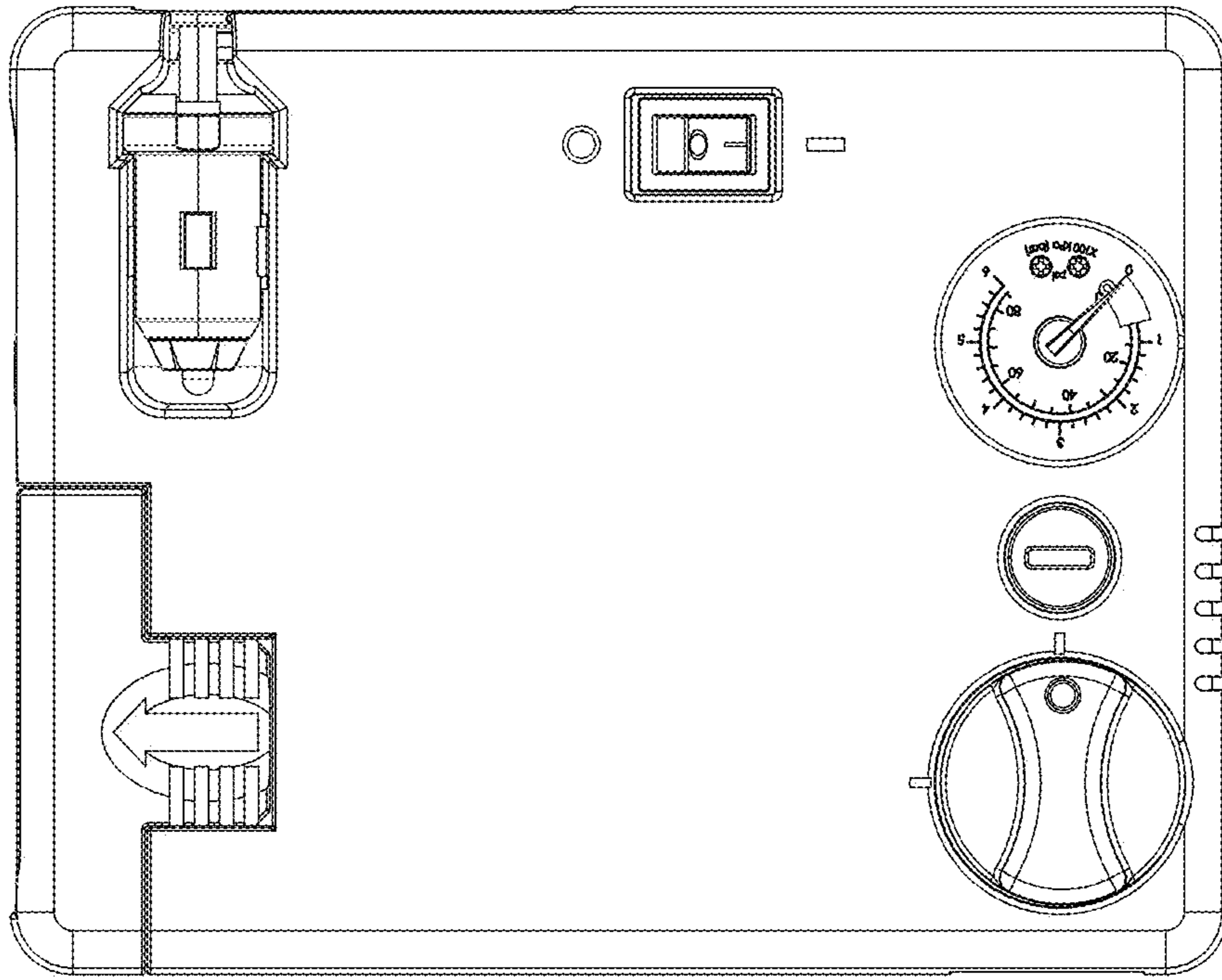


Figure 3

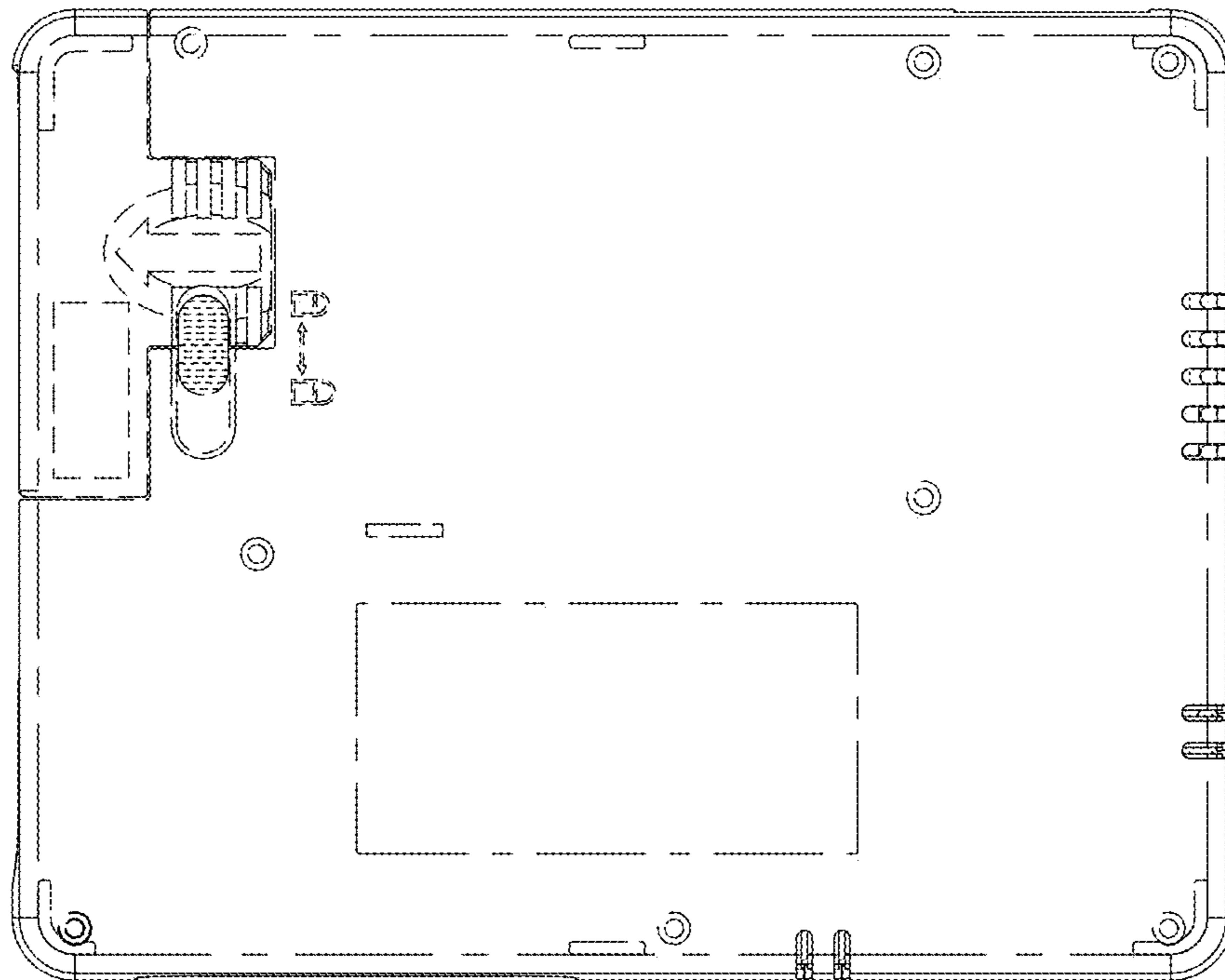


Figure 4

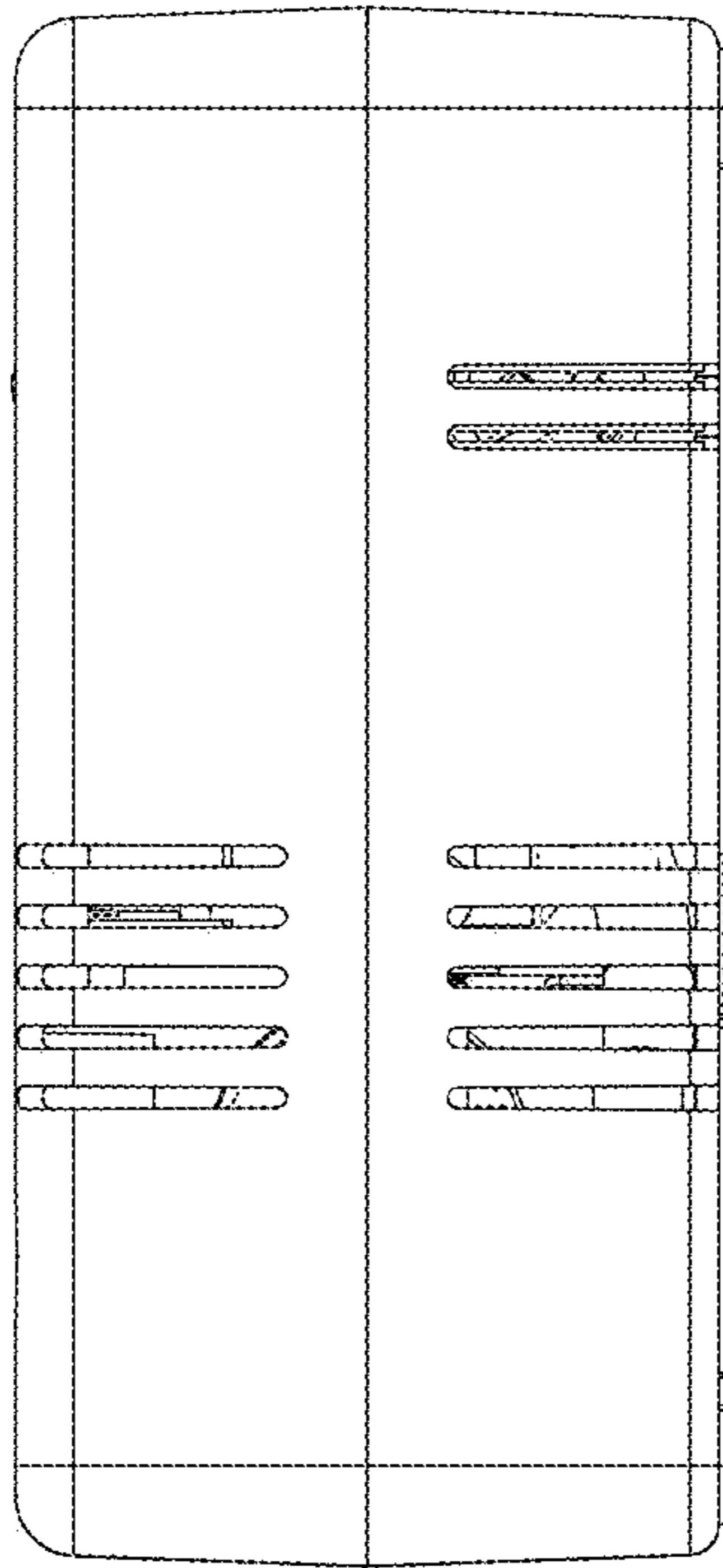


Figure 5

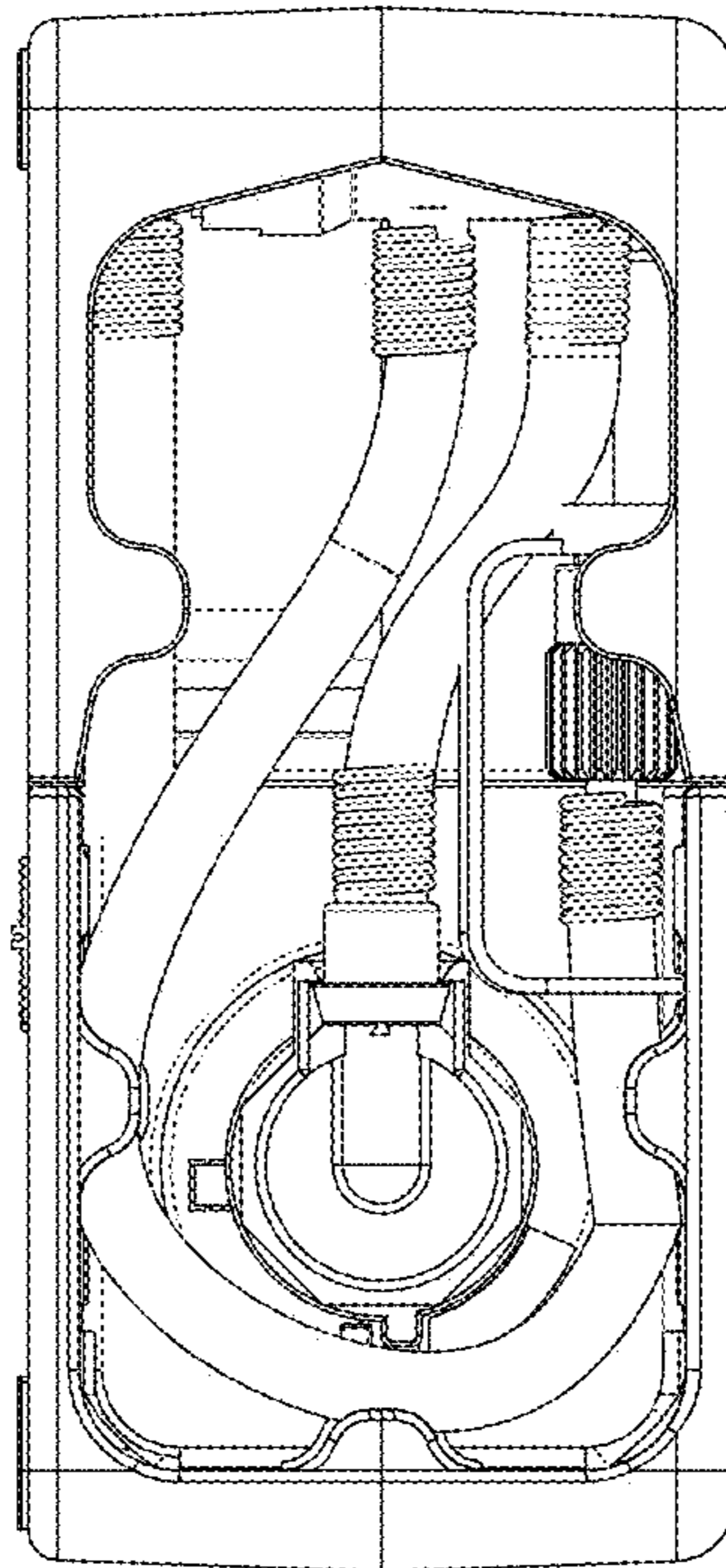


Figure 6

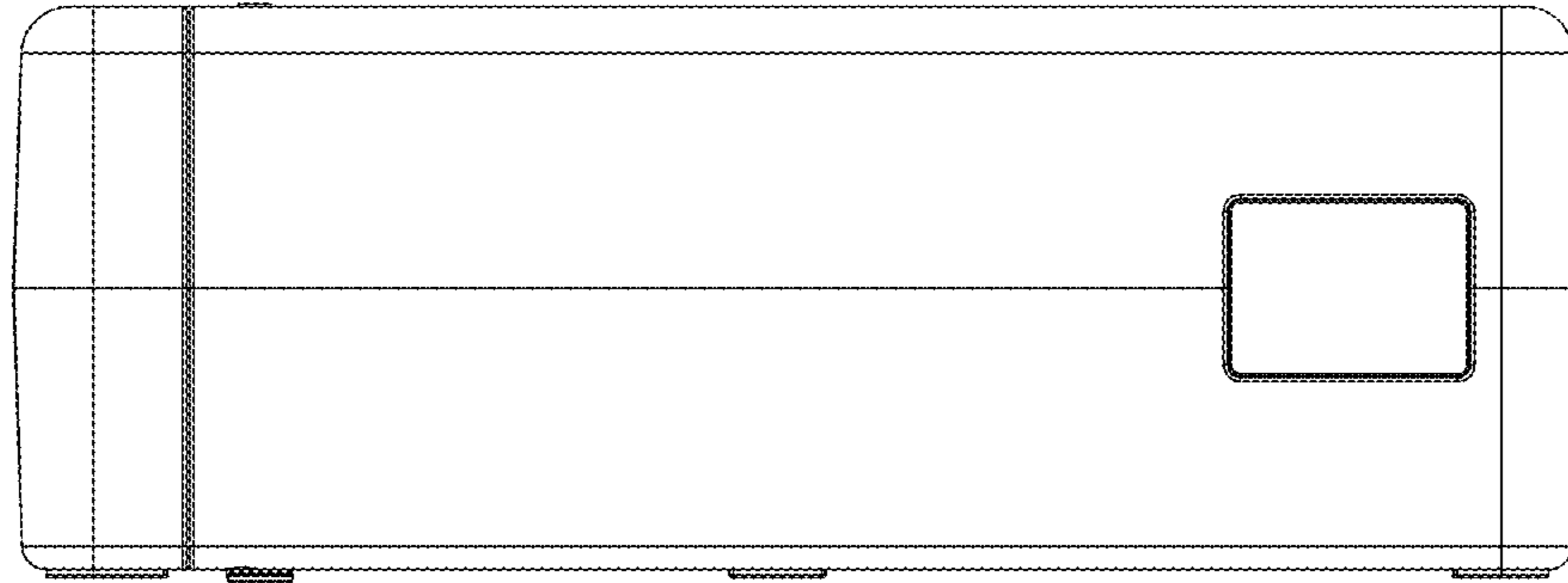


Figure 7

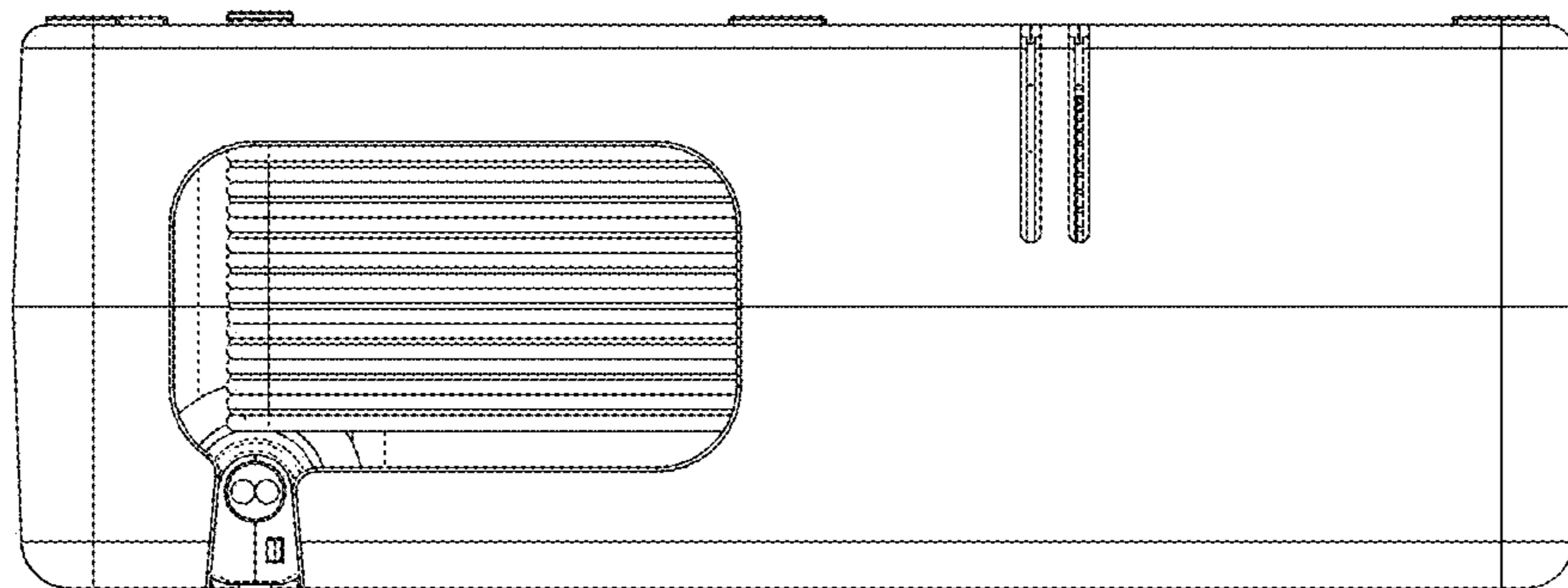


Figure 8