



US00D881236S

(12) **United States Design Patent** (10) **Patent No.:** **US D881,236 S**  
**Dagley et al.** (45) **Date of Patent:** **\*\* Apr. 14, 2020**

(54) **DISPLAY SCREEN WITH ANIMATED GRAPHICAL USER INTERFACE**

- (71) Applicant: **Capital One Services, LLC**, McLean, VA (US)
- (72) Inventors: **Geoffrey Wayne Dagley**, McKinney, TX (US); **Qiaochu Tang**, The Colony, TX (US); **Staevan Alan Duckworth**, The Colony, TX (US); **Bryan Joseph Tamayo**, Allen, TX (US); **Stephen Paul Anderson**, Plano, TX (US); **Benjamin Skylar Radcliffe**, Carrollton, TX (US); **Micah Price**, Plano, TX (US); **Stewart Michael Youngblood**, Allen, TX (US)
- (73) Assignee: **Capital One Services, LLC**, McLean, VA (US)
- (\*\*) Term: **15 Years**
- (21) Appl. No.: **29/690,669**
- (22) Filed: **May 9, 2019**

**Related U.S. Application Data**

- (63) Continuation of application No. 29/639,812, filed on Mar. 8, 2018.
- (51) **LOC (12) Cl.** ..... **14-04**
- (52) **U.S. Cl.**  
 USPC ..... **D14/492; D14/490**
- (58) **Field of Classification Search**  
 USPC ..... D14/485-495  
 CPC ... B60K 37/00; G06F 3/0481; G06F 3/04845; G06F 3/04817; G06F 17/212; G06F 19/3406; G06T 13/80; G06T 15/02  
 See application file for complete search history.

(56) **References Cited**

U.S. PATENT DOCUMENTS

D641,372 S *	7/2011	Gardner	.....	D14/486
D643,438 S *	8/2011	Gardner	.....	D14/486
D686,231 S *	7/2013	Rodenhous	.....	D14/486
D689,891 S *	9/2013	Rodenhous	.....	D14/486
D694,775 S *	12/2013	Gardner	.....	D14/486
D699,751 S *	2/2014	Pearson	.....	D14/488
D700,209 S *	2/2014	Tanghe	.....	D14/492
D705,800 S *	5/2014	Khanna	.....	D14/488

(Continued)

*Primary Examiner* — Phillip S Hyder

*Assistant Examiner* — Cary M Robinson

(74) *Attorney, Agent, or Firm* — Finnegan, Henderson, Farabow, Garrett & Dunner, LLP

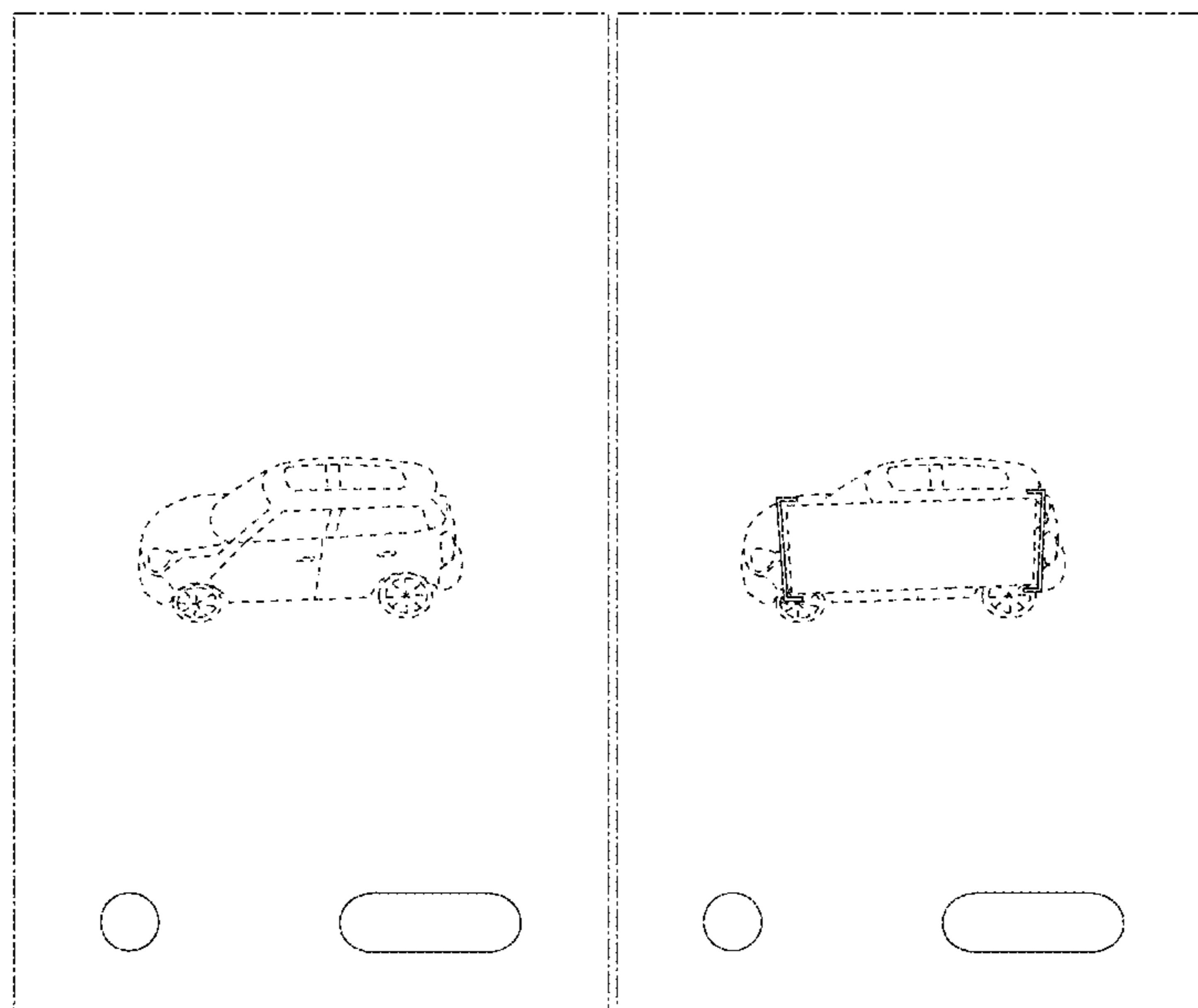
(57) **CLAIM**

The ornamental design for a display screen with animated graphical user interface, as shown and described.

**DESCRIPTION**

FIG. 1 is a front view of a display screen with animated graphical user interface, showing our new design; FIG. 2 is a front view of a second image thereof; FIG. 3 is a front view of a third image thereof; FIG. 4 is a front view of a fourth image thereof; FIG. 5 is a front view of a fifth image thereof; FIG. 6 is a front view of a sixth image thereof; and, FIG. 7 is a front view of a seventh image thereof. The appearance of the animated graphical user interface sequentially transitions between the images shown in FIGS. 1-7. The process or period in which one image transitions to another image forms no part of the claimed design. The broken lines of uneven length show the display screen and form no part of the claimed design. The broken lines of even length illustrate portions of the display screen with animated graphical user interface that form no part of the claimed design.

**1 Claim, 7 Drawing Sheets**



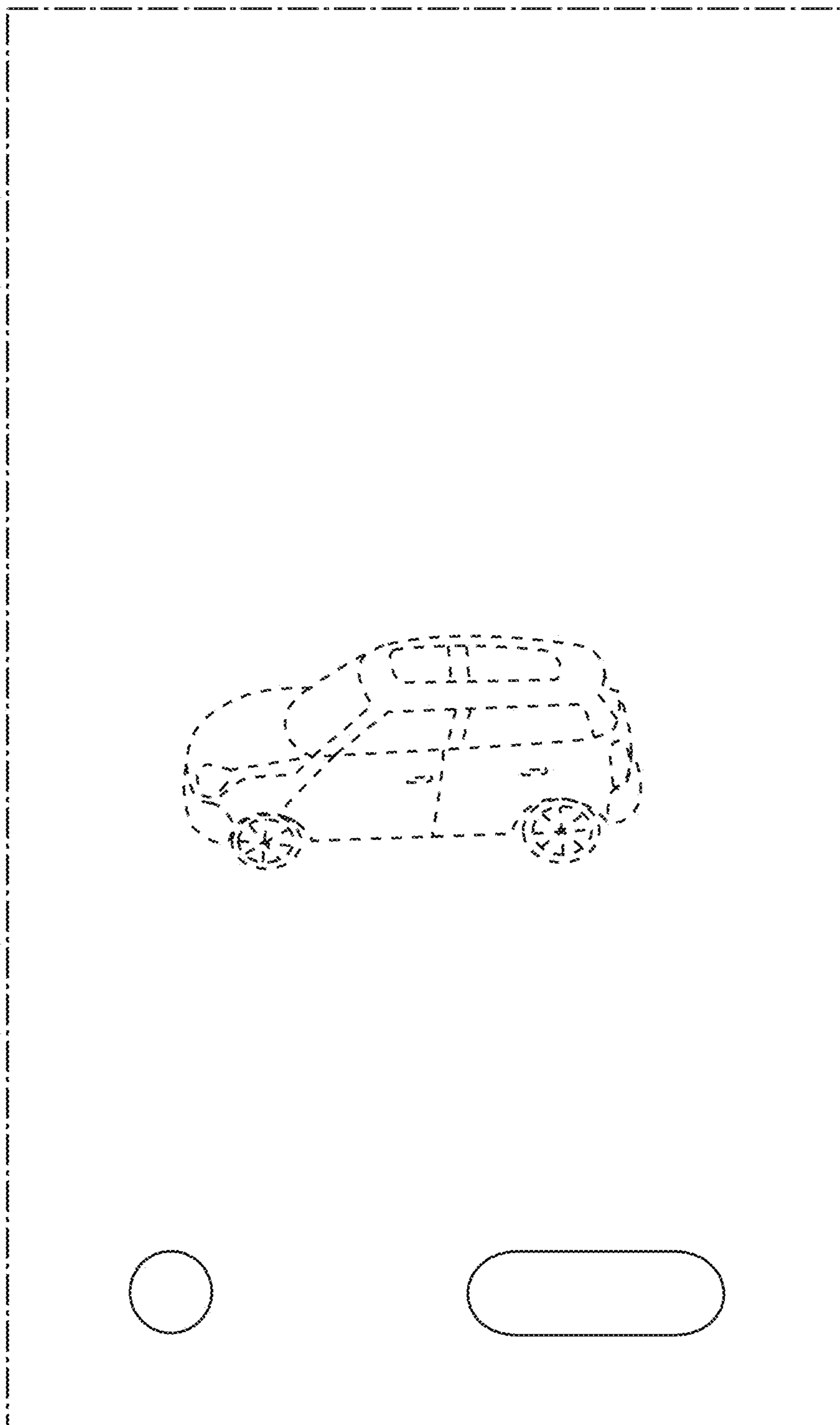
(56)

**References Cited**

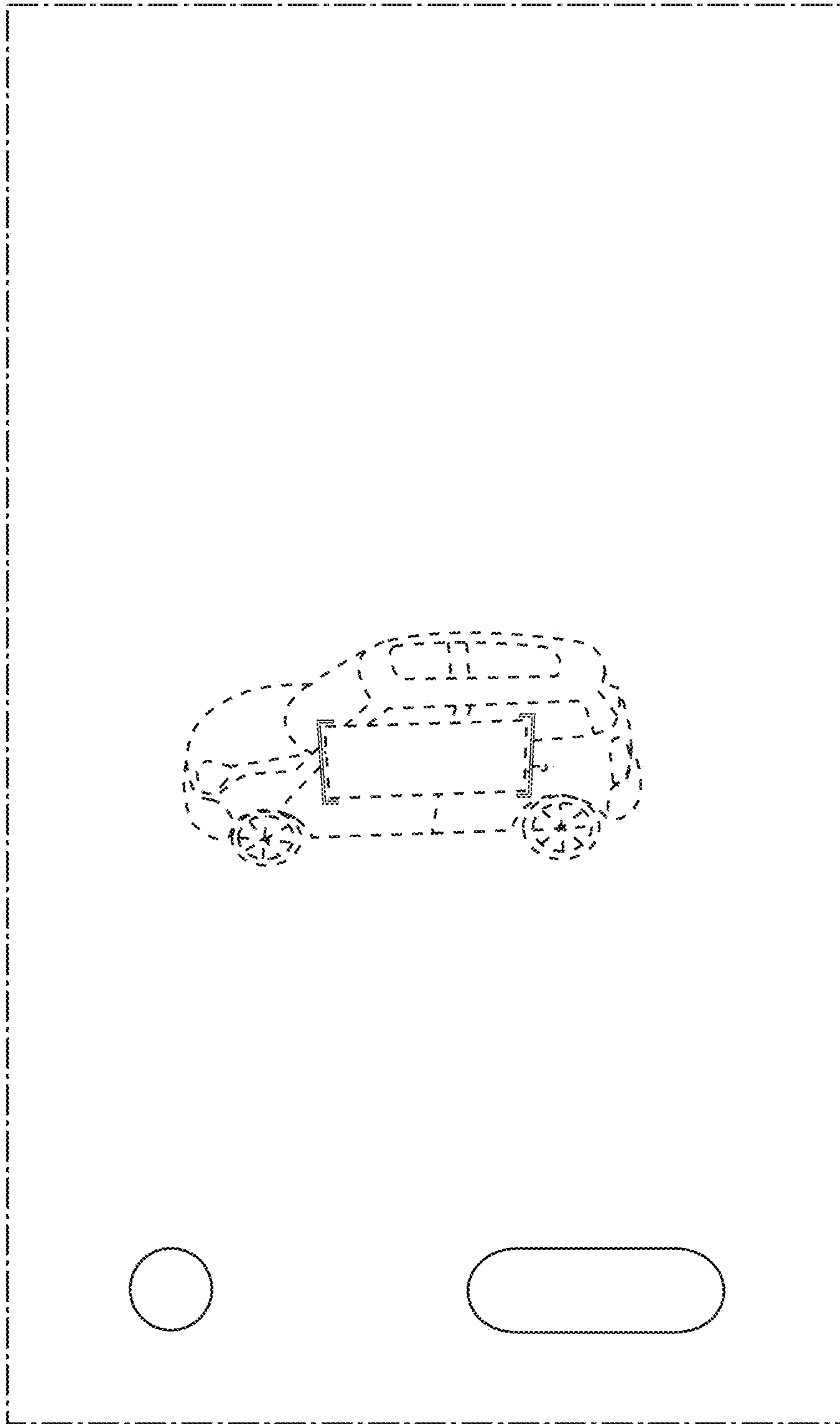
U.S. PATENT DOCUMENTS

D719,963	S	*	12/2014	Hobbs	.....	D14/486
D746,834	S	*	1/2016	Gray	.....	D14/485
D757,760	S	*	5/2016	Ku	.....	D14/485
D763,904	S	*	8/2016	Knapp	.....	D14/488
D766,329	S	*	9/2016	Lee	.....	D14/493
D774,051	S	*	12/2016	Hart	.....	D14/485
D777,185	S	*	1/2017	Kwak	.....	D14/486
D852,221	S	*	6/2019	Levin	.....	D14/488
D852,841	S	*	7/2019	Levin	.....	D14/488
2015/0106760	A1	*	4/2015	Axelsson	.....	G06F 16/93 715/781

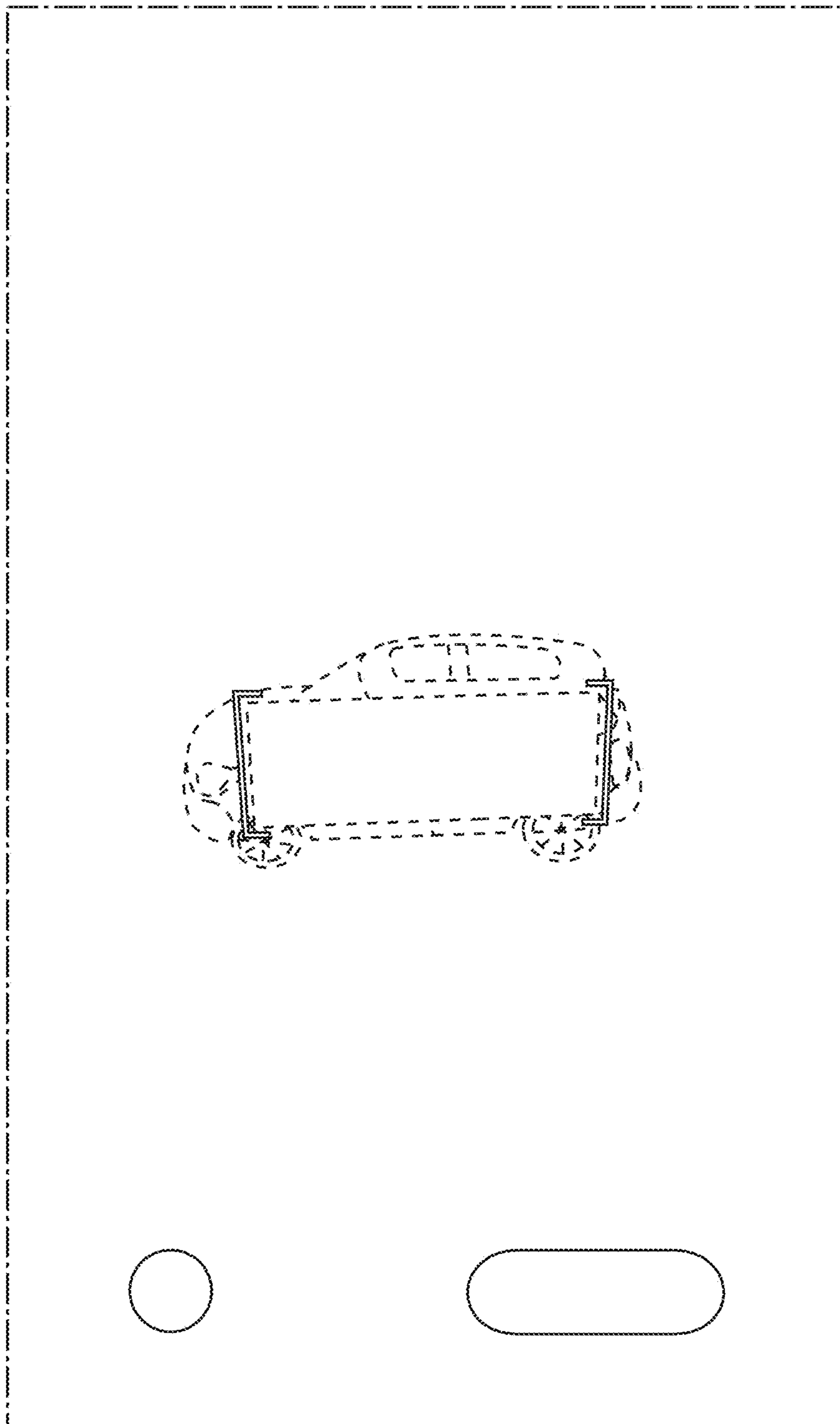
\* cited by examiner



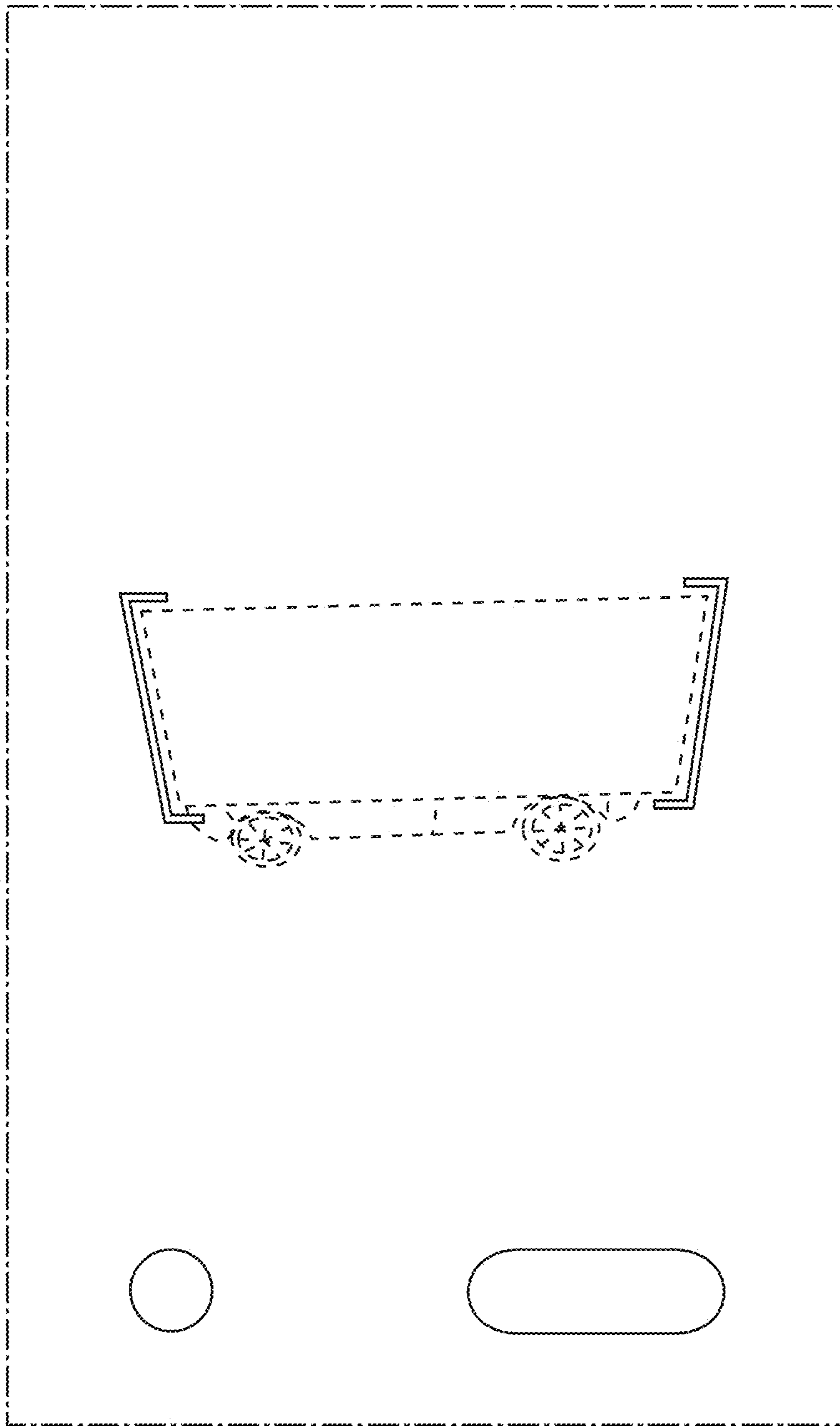
**FIG. 1**



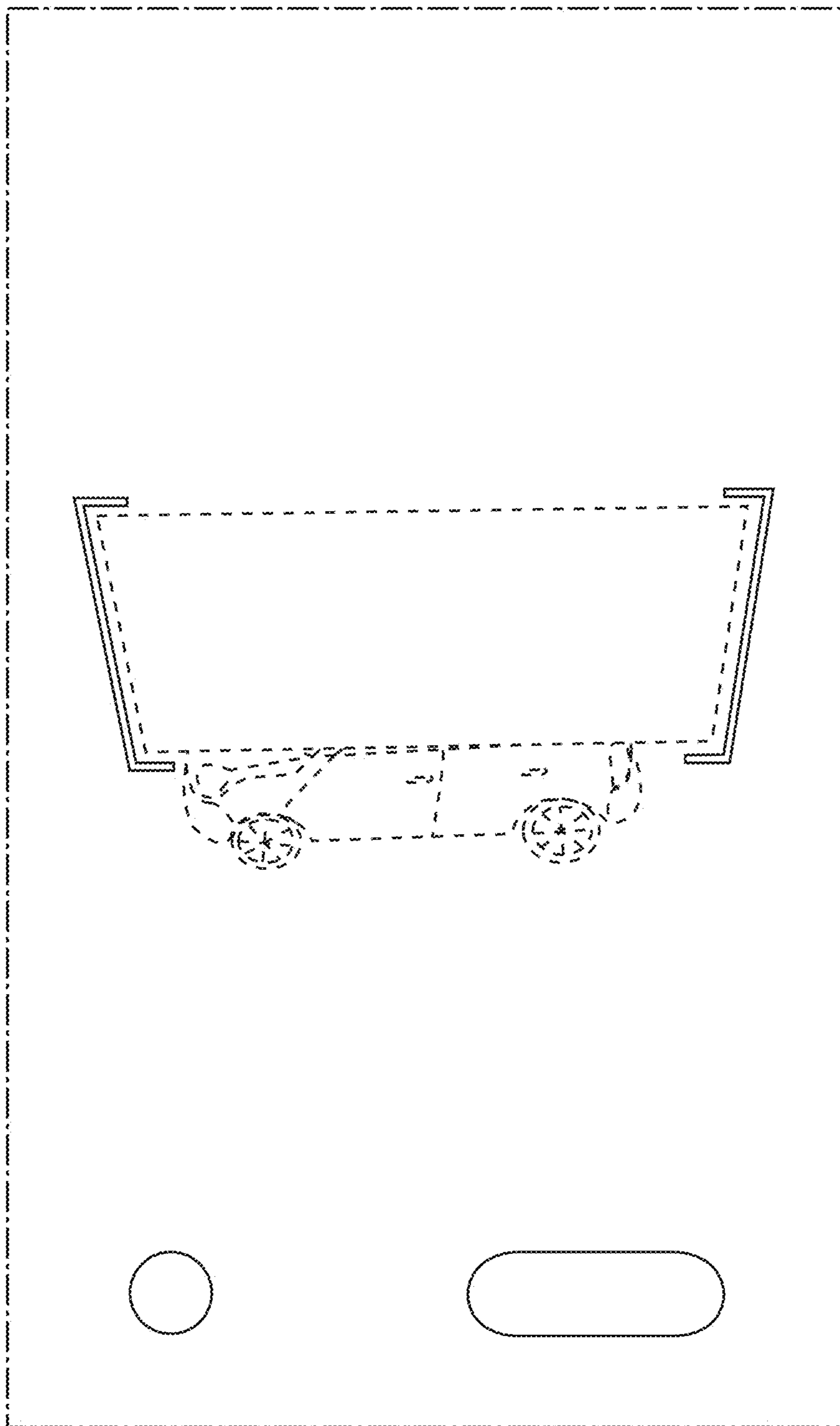
**FIG. 2**



**FIG. 3**

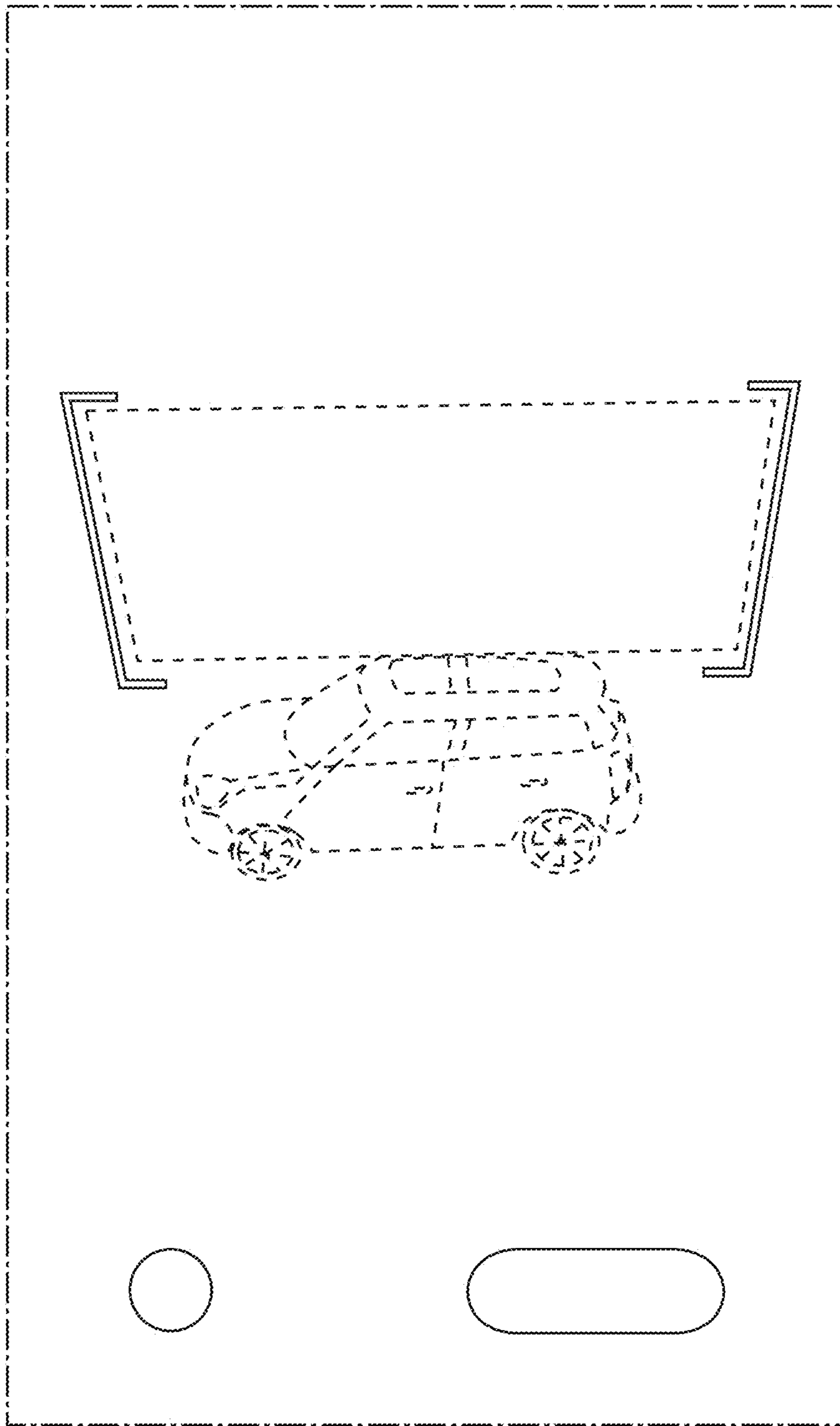


**FIG. 4**



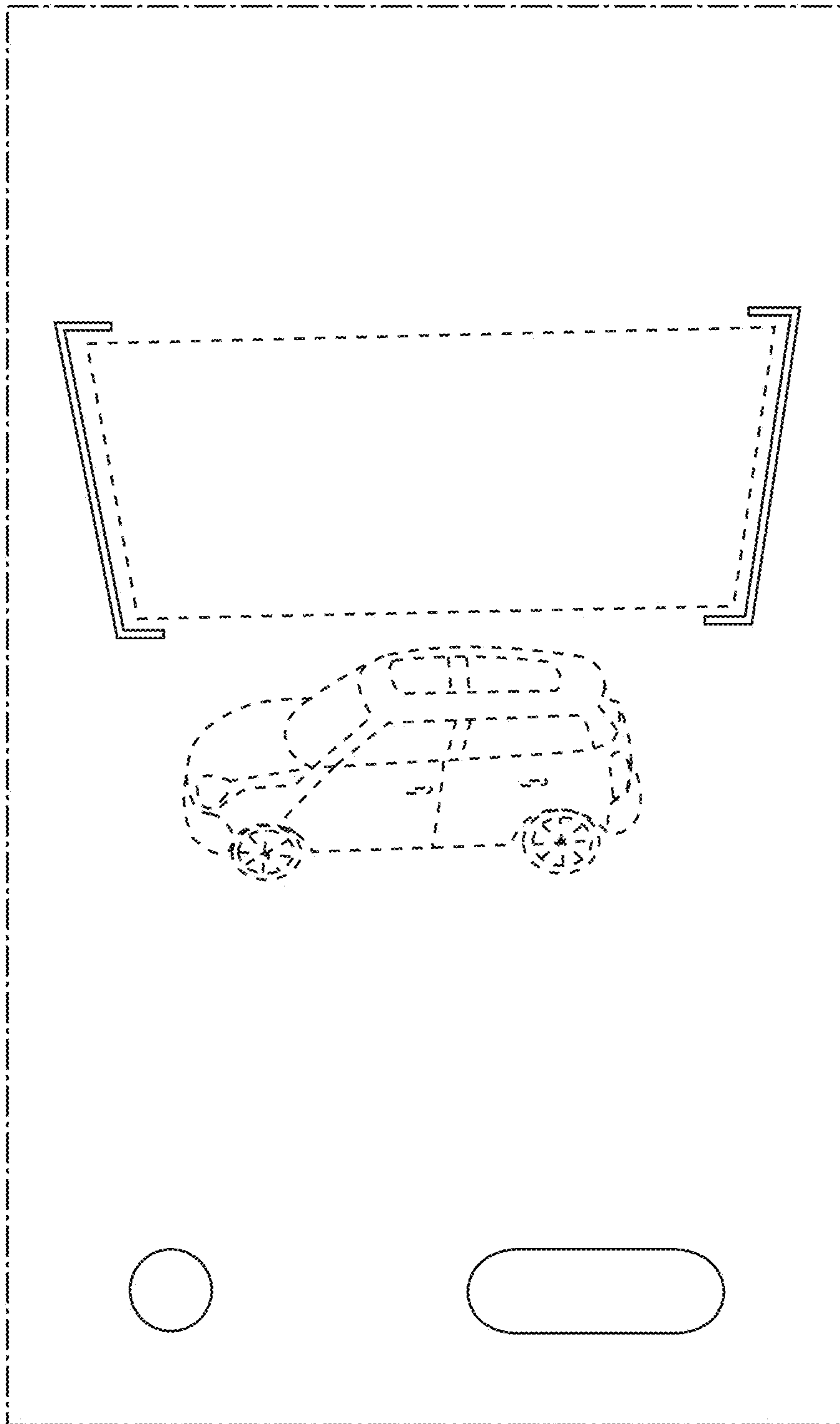
**FIG. 5**





**FIG. 6**





**FIG. 7**