



US00D881215S

(12) **United States Design Patent**
Keating

(10) **Patent No.:** **US D881,215 S**
(45) **Date of Patent:** **** Apr. 14, 2020**

(54) **DISPLAY SCREEN OR PORTION THEREOF WITH POP-UP GRAPHICAL USER INTERFACE**

(71) Applicant: **Trivver, Inc.**, Huntington Beach, CA (US)

(72) Inventor: **Simon Keating**, Aldershot (GB)

(73) Assignee: **Trivver, Inc.**, Huntington Beach, CA (US)

(**) Term: **15 Years**

(21) Appl. No.: **29/631,273**

(22) Filed: **Dec. 28, 2017**

(51) **LOC (12) Cl.** **14-04**

(52) **U.S. Cl.**
USPC **D14/486**

(58) **Field of Classification Search**
USPC D14/485-495
CPC G06F 3/04817; G06F 3/0482; H04N 1/00472
See application file for complete search history.

(56) **References Cited**

U.S. PATENT DOCUMENTS

D450,058 S *	11/2001	Istvan	D14/486
D468,748 S *	1/2003	Inagaki	D14/486
D469,104 S *	1/2003	Istvan	D14/486
D486,834 S *	2/2004	Allen	D14/486
D579,458 S *	10/2008	Nash	D14/486

8,482,576 B1 *	7/2013	Yelsey	G06N 5/02 345/589
D716,331 S *	10/2014	Chotin	D14/486
D718,320 S *	11/2014	Charles	D14/486
D728,591 S *	5/2015	Kim	D14/486
D757,738 S *	5/2016	Carter	D14/485
D769,885 S *	10/2016	Zhu	D14/485
D795,892 S *	8/2017	Kim	D14/485
D796,538 S *	9/2017	Yoshida	D14/486
D818,492 S *	5/2018	Cabot	D14/489
D822,038 S *	7/2018	Nanjappan	D14/485
2010/0058216 A1 *	3/2010	Yoon	G06F 3/0482 715/769
2017/0168683 A1 *	6/2017	Yu	G06F 3/0482

* cited by examiner

Primary Examiner — Richelle G Shelton

(74) *Attorney, Agent, or Firm* — Chhabra Law Firm, PC

(57) **CLAIM**

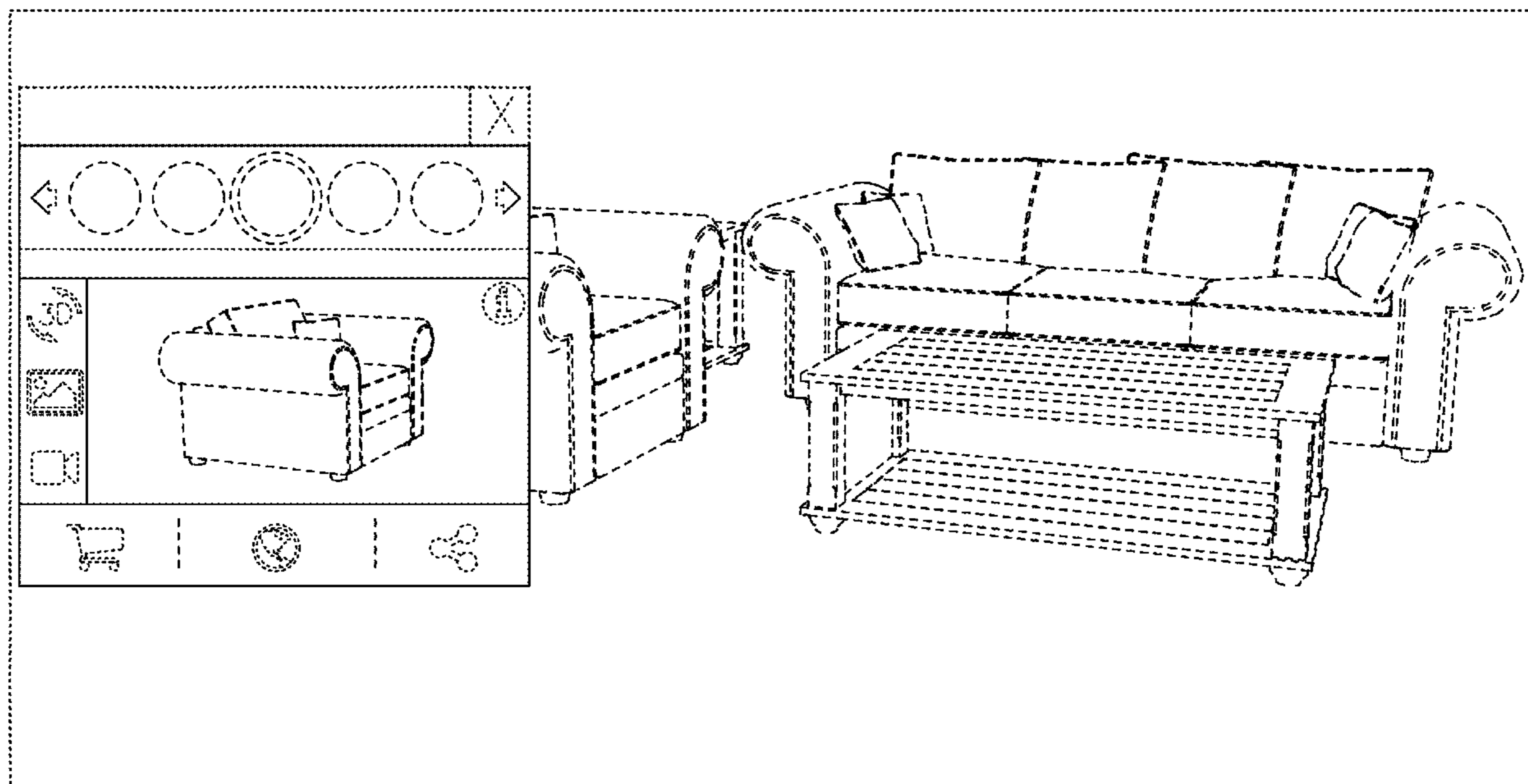
The ornamental design for a display screen or portion thereof with pop-up graphical user interface, as shown and described.

DESCRIPTION

FIG. 1 is a front view of a display screen or a portion thereof with pop-up graphical user interface showing a first embodiment of the new design; and, FIG. 2 is a detailed view thereof, shown separately for ease of illustration.

The broken line showings of the display screen, or a portion thereof, and of selected elements of the graphical user interface, are for environmental purposes only and form no part of the claimed design.

1 Claim, 2 Drawing Sheets



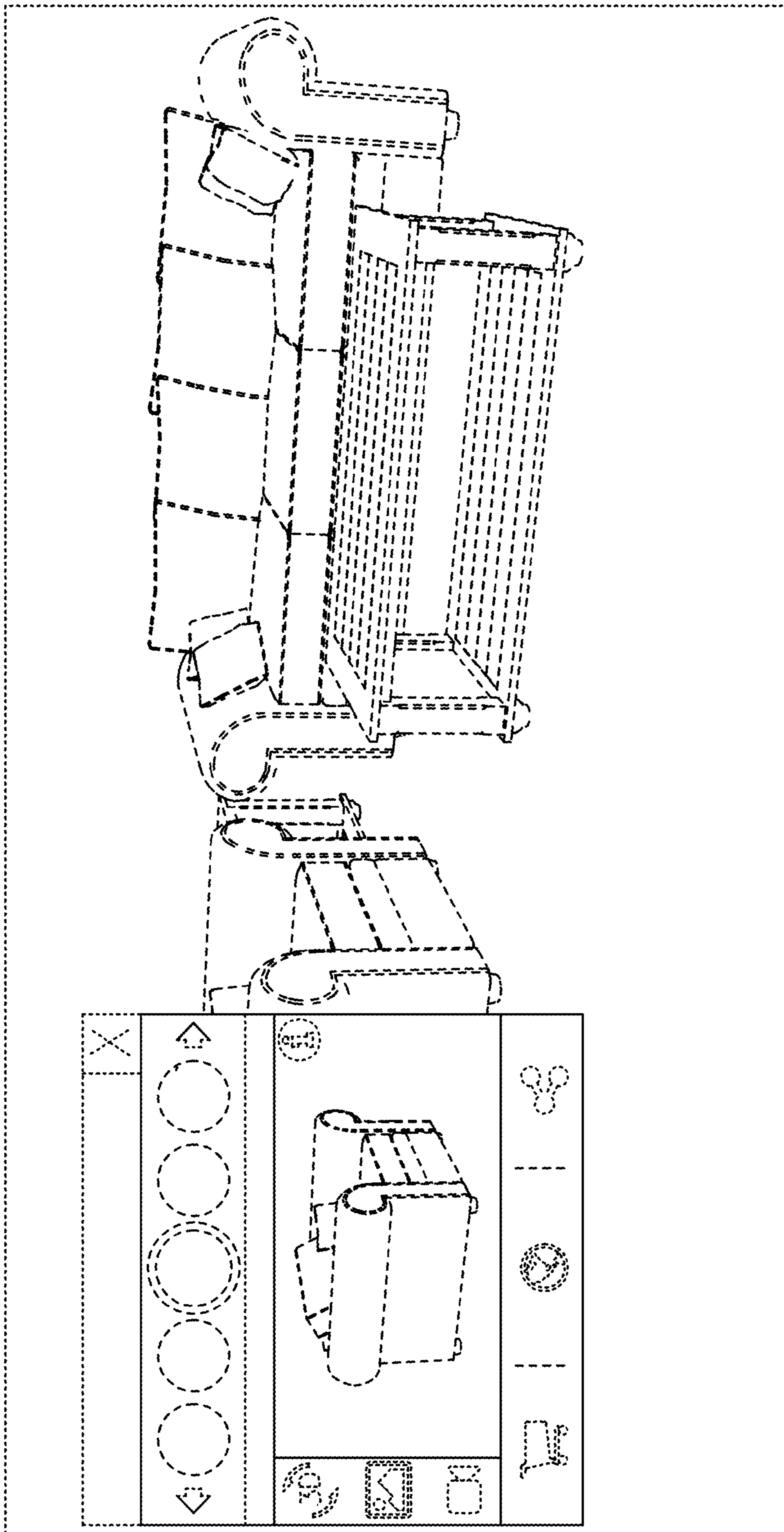


FIG. 1

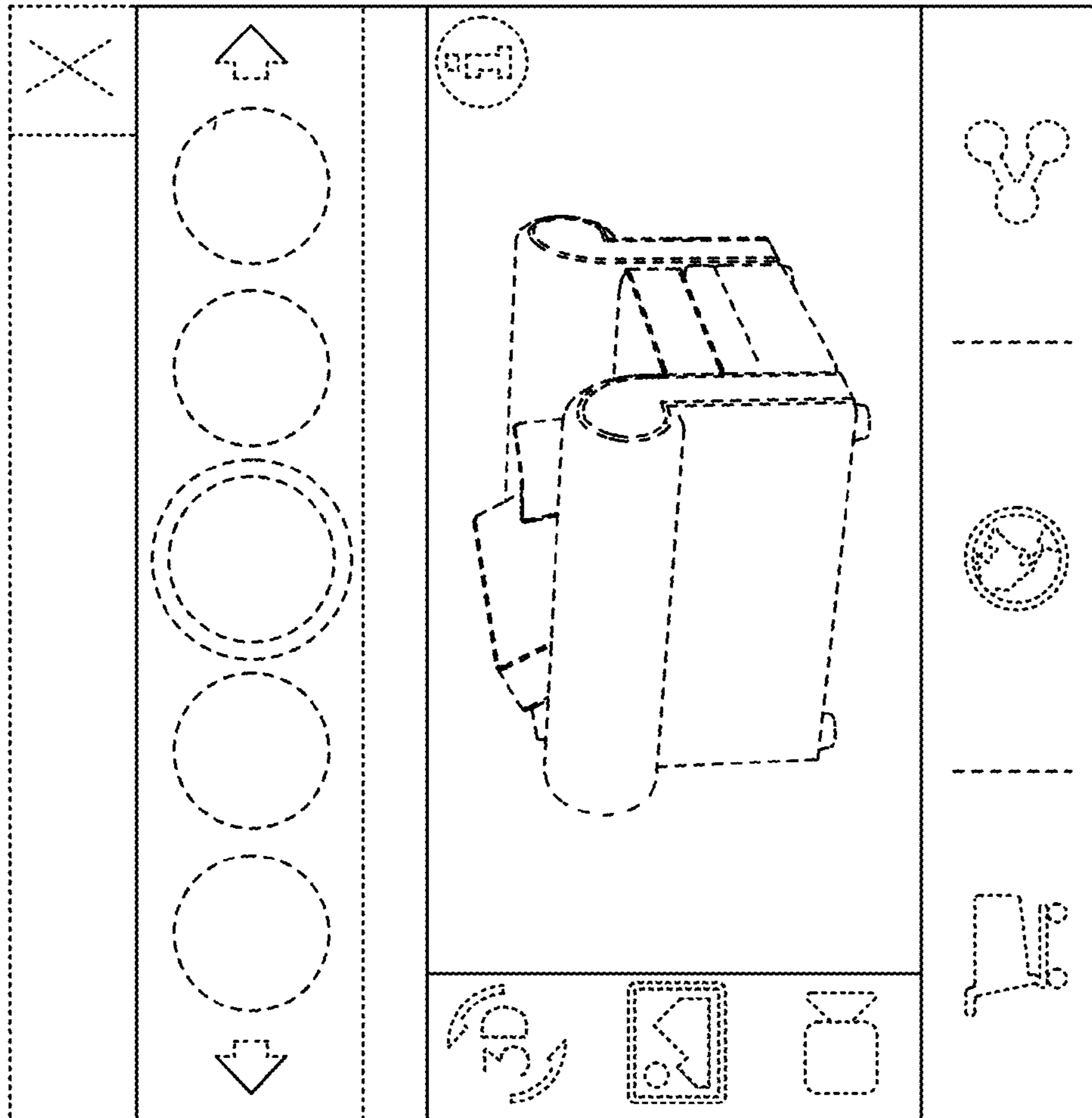


FIG. 2