



US00D881214S

(12) **United States Design Patent**
Zimmerman et al.

(10) **Patent No.:** **US D881,214 S**

(45) **Date of Patent:** **** Apr. 14, 2020**

(54) **DISPLAY SCREEN WITH TRANSITIONAL GRAPHICAL USER INTERFACE**

(71) Applicant: **LIFE TECHNOLOGIES CORPORATION**, Carlsbad, CA (US)

(72) Inventors: **Sean Zimmerman**, San Diego, CA (US); **Scott Rickes**, San Diego, CA (US)

(73) Assignee: **Life Technologies Corporation**, Carlsbad, CA (US)

(**) Term: **15 Years**

(21) Appl. No.: **29/625,944**

(22) Filed: **Nov. 14, 2017**

(51) **LOC (12) Cl.** **14-04**

(52) **U.S. Cl.**
USPC **D14/486; D14/488**

(58) **Field of Classification Search**
USPC **D14/485-495**
CPC **A61B 5/02; A61B 8/46; G06T 2207/30004**
See application file for complete search history.

(56) **References Cited**

U.S. PATENT DOCUMENTS

D549,722 S *	8/2007	Ito	D14/488
D576,173 S *	9/2008	Oshiro	D14/486
D593,116 S *	5/2009	Garcia	D14/487
D614,192 S *	4/2010	Takano	D14/486
D615,549 S *	5/2010	Caine	D14/486
D661,701 S *	6/2012	Brown	D14/486
D667,020 S *	9/2012	MacKenzie	D14/486
D670,723 S *	11/2012	Khan	D14/486
D695,301 S *	12/2013	Robinson	D14/486
D716,325 S *	10/2014	Brudnicki	D14/486
D717,822 S *	11/2014	Brotman	D14/486
D735,741 S *	8/2015	Kim	D14/486

D743,990 S *	11/2015	Pal	D14/486
D753,685 S *	4/2016	Zimmerman	D14/486
D760,737 S *	7/2016	Yoon	D14/485
D761,801 S *	7/2016	Rickes	G06F 3/04817 D14/485
D769,314 S *	10/2016	Piroddi	D14/488
D775,144 S *	12/2016	Vazquez	D14/485
D775,642 S *	1/2017	Gao	D14/486
D778,284 S *	2/2017	Dahlen	D14/485
D785,025 S *	4/2017	Zimmerman	D14/486
D803,240 S *	11/2017	Cornell	D14/485
D804,528 S *	12/2017	Martin	D14/492
D822,052 S *	7/2018	Rickes	D14/486
D829,235 S *	9/2018	Gangcuangco	D14/486
2016/0295040 A1 *	10/2016	Shigenobu	H04N 1/00424

(Continued)

Primary Examiner — Darlington Ly

Assistant Examiner — Katherine A Holbrow

(57) **CLAIM**

The ornamental design for a display screen with transitional graphical user interface, as shown and described.

DESCRIPTION

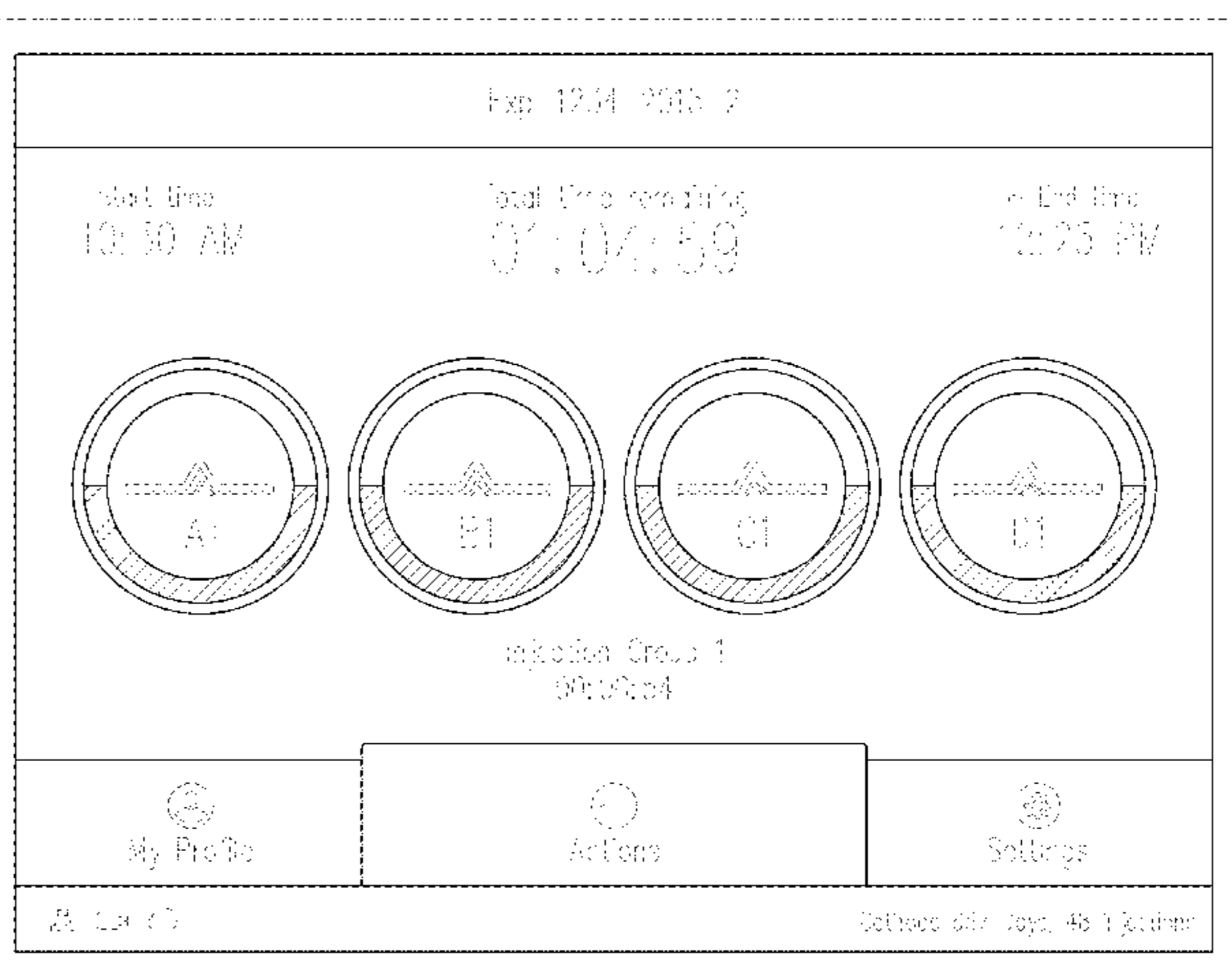
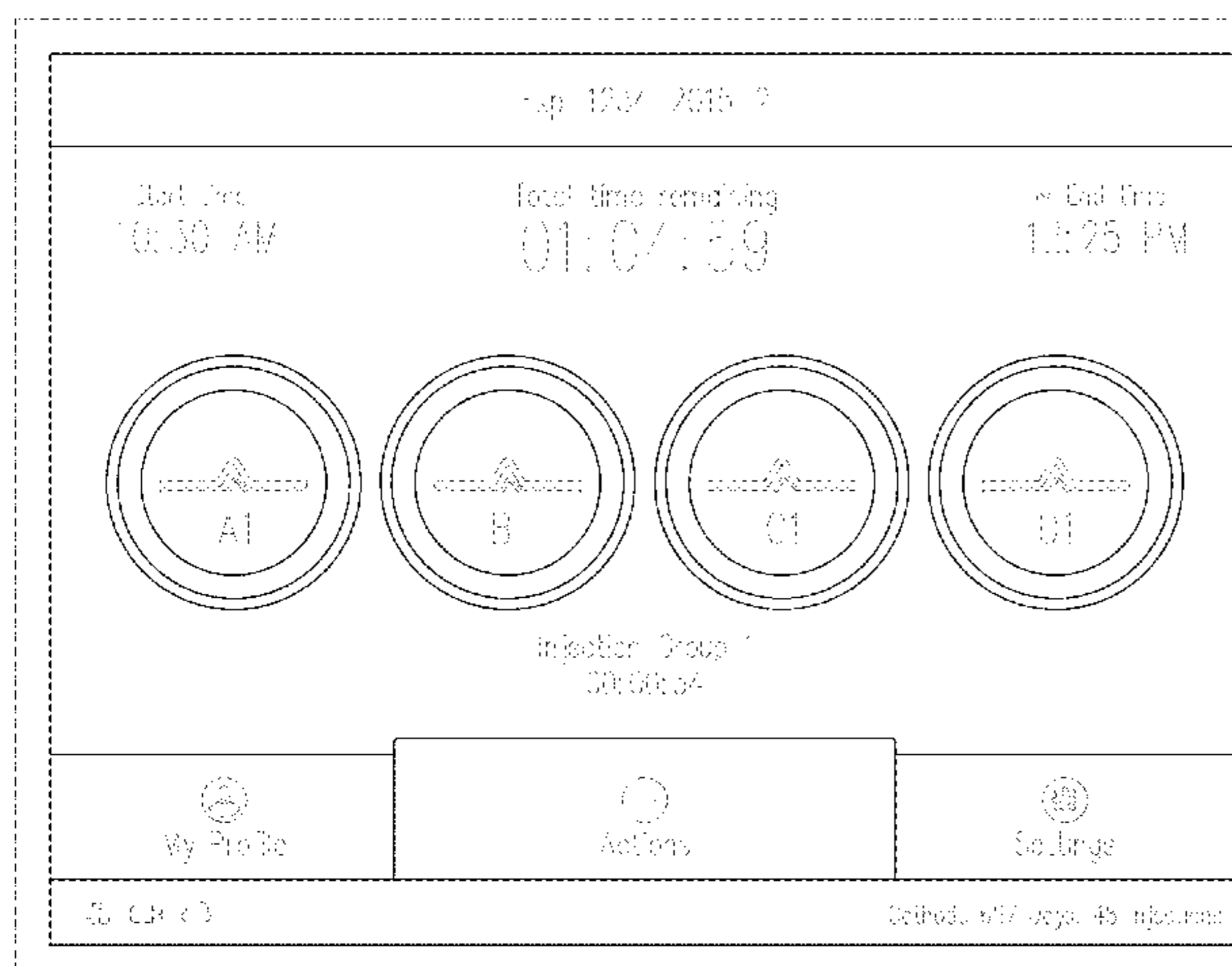
FIG. 1 is a front view of a first image in a sequence for a display screen with transitional graphical user interface, according to an embodiment of the new design; and, FIG. 2 is a second image thereof.

The appearance of the transitional image sequentially transitions between the images shown in FIGS. 1-2. The process or period in which one image transitions to another image forms no part of the claimed design.

The broken line showing of the display screen and all other broken lines showing portions of the graphical user interface illustrate portions of the article and form no part of the claimed design.

The diagonal shading in FIG. 2 shows a contrast in appearance.

1 Claim, 2 Drawing Sheets



(56)

References Cited

U.S. PATENT DOCUMENTS

2017/0017358 A1* 1/2017 Yabe G06F 3/0482
2018/0167520 A1* 6/2018 Jimbo H04N 1/00061

* cited by examiner

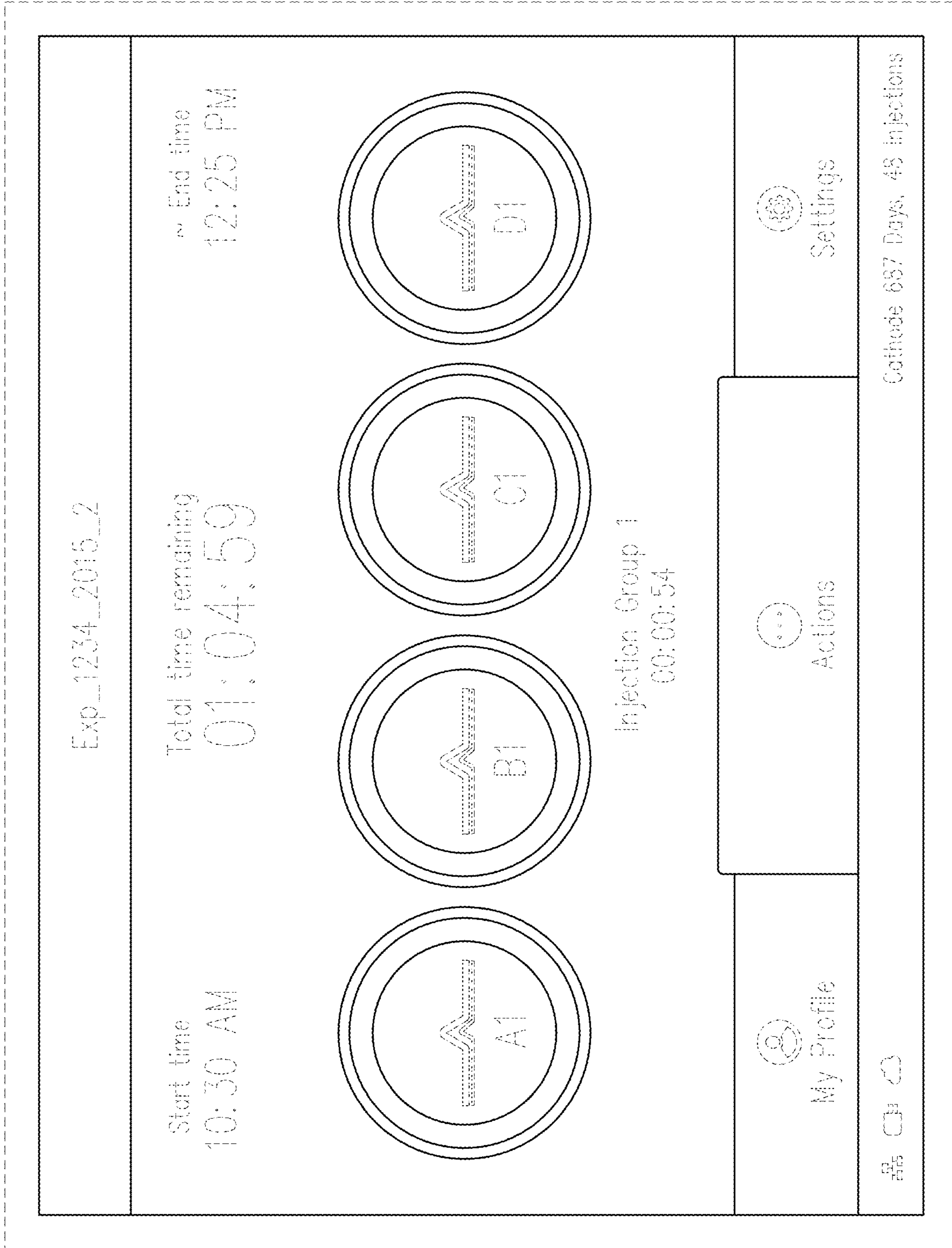


FIG. 1

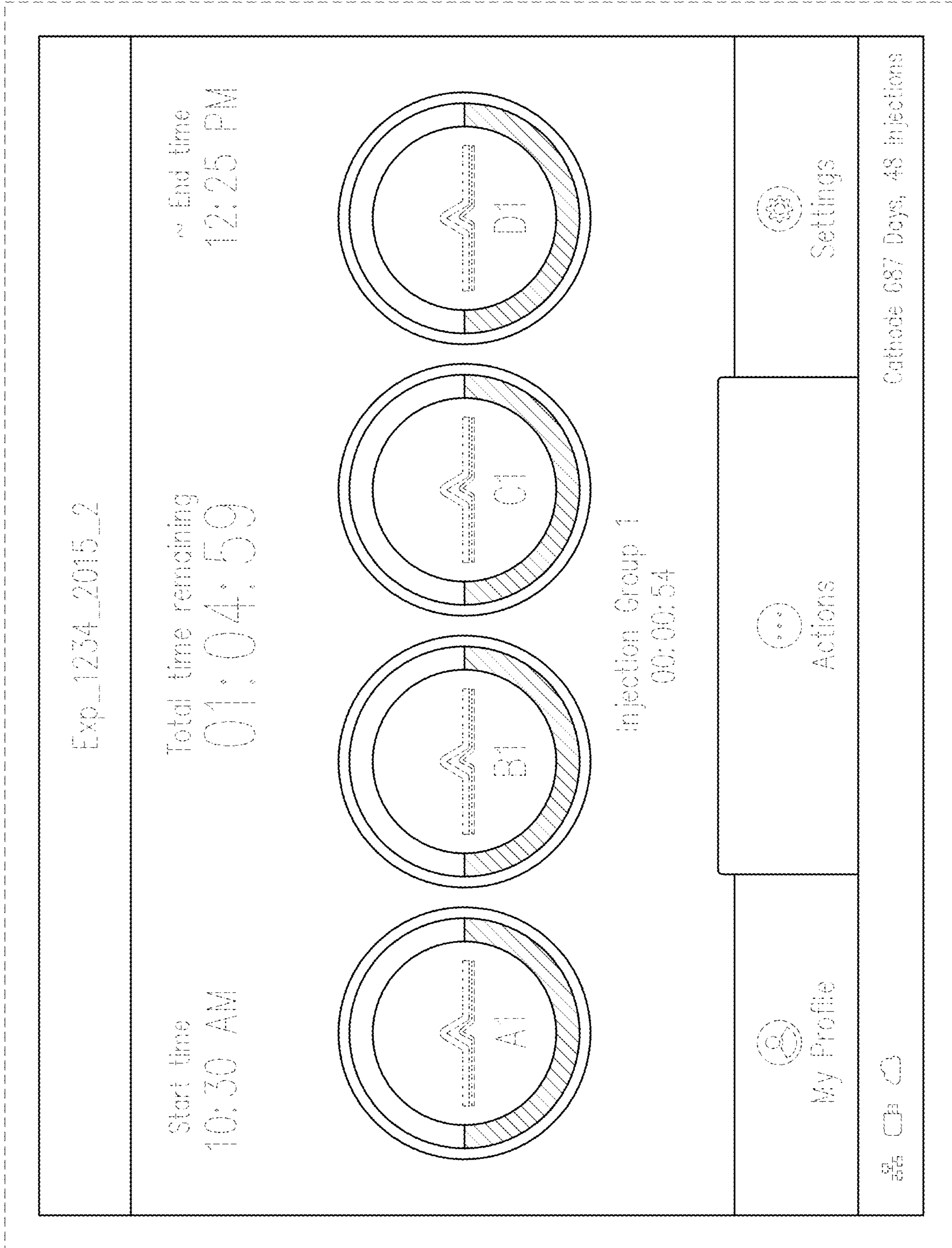


FIG. 2