



US00D881202S

(12) **United States Design Patent**
Dekruif et al.

(10) **Patent No.:** **US D881,202 S**
(45) **Date of Patent:** **** Apr. 14, 2020**

(54) **DISPLAY SCREEN WITH GRAPHICAL USER INTERFACE FOR NEGATIVE PRESSURE UNIT**

(71) Applicant: **KCI Licensing, Inc.**, San Antonio, TX (US)

(72) Inventors: **Daniel W. Dekruif**, San Antonio, TX (US); **James Killingworth Seddon**, Ferndown (GB); **Christopher Brian Locke**, Bournemouth (GB); **Benjamin Andrew Pratt**, Poole (GB); **James A. Luckemeyer**, San Antonio, TX (US); **Kenneth R. Smith**, San Antonio, TX (US)

(73) Assignee: **KCI Licensing, Inc.**, San Antonio, TX (US)

(**) Term: **15 Years**

(21) Appl. No.: **29/603,284**

(22) Filed: **May 8, 2017**

(51) **LOC (12) Cl.** **14-04**

(52) **U.S. Cl.**
USPC **D14/485**

(58) **Field of Classification Search**
USPC D14/485-495; D24/108
CPC .. G06F 3/0481; G06F 3/0482; G06F 3/04817; G06F 3/04883; G06F 3/04815; G06F 3/0485; G06F 3/04886; A61M 1/0001; A61M 1/0088; A61M 1/0052; A61M 1/0049

See application file for complete search history.

(56) **References Cited**

U.S. PATENT DOCUMENTS

D601,692 S * 10/2009 Tout D24/108
D632,700 S * 2/2011 Brinda D14/486

8,100,873 B2 * 1/2012 Jaeb A61M 1/0001
604/319
8,339,416 B2 * 12/2012 Katsukura G06F 8/38
345/619
D686,634 S * 7/2013 Malasani D14/486
D698,804 S * 2/2014 Davis D14/486
8,954,884 B1 * 2/2015 Barger G06F 3/0485
715/792
D781,339 S * 3/2017 Li D14/487
D790,587 S * 6/2017 Sun D14/488
D797,132 S * 9/2017 Rhodes D14/486
D798,320 S * 9/2017 Gouvernel D14/486
D807,911 S * 1/2018 Zhou D14/487
D815,663 S * 4/2018 Dudey D14/488
D824,409 S * 7/2018 Harvey D14/486
D824,410 S * 7/2018 Grubbs D14/486

(Continued)

Primary Examiner — Darlington Ly
Assistant Examiner — Daniel J Domino

(57) **CLAIM**

The ornamental design for a display screen with graphical user interface for negative pressure unit, as shown and described.

DESCRIPTION

This invention was made with government support under Contract FA8650-13-2-6372 awarded by the Department of the Air Force. The government has certain rights in the invention.

FIG. 1 is an upper front isometric view of a display screen with graphical user interface for negative pressure unit; FIG. 2 is a front view thereof.

FIG. 3 is a rear view thereof.

FIG. 4 is a first side view thereof.

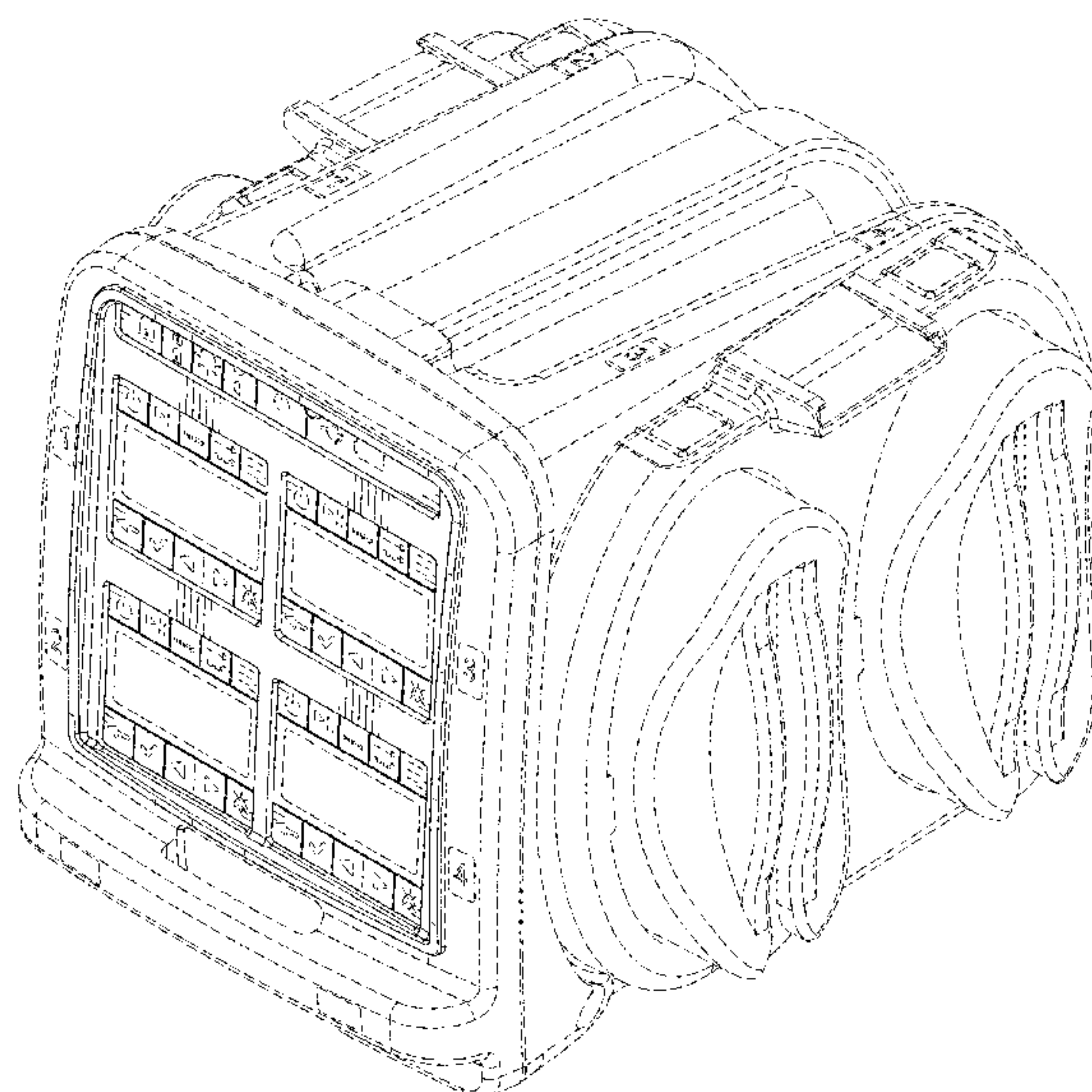
FIG. 5 is a second side view thereof.

FIG. 6 is a top view thereof; and,

FIG. 7 is a bottom view thereof.

The broken lines in the Figures depict portions of the display screen with graphical user interface for negative pressure unit that form no part of the claimed design.

1 Claim, 7 Drawing Sheets



(56)

References Cited

U.S. PATENT DOCUMENTS

D831,048	S *	10/2018	Sagrillo	D14/486
D839,281	S *	1/2019	Raji	D14/485
D839,913	S *	2/2019	Chen	D14/488
D843,387	S *	3/2019	Yuguchi	D14/485
10,232,155	B2 *	3/2019	Tout	A61M 35/00
2008/0071214	A1 *	3/2008	Locke	A61M 5/1415 604/111
2008/0122796	A1 *	5/2008	Jobs	G06F 3/0488 345/173
2010/0131573	A1 *	5/2010	Reese	G06F 3/0481 707/812
2011/0040268	A1 *	2/2011	Eckstein	A61M 1/0023 604/319
2013/0144227	A1 *	6/2013	Locke	A61M 1/0031 604/318
2013/0227418	A1 *	8/2013	Sa	G06F 3/0488 715/728
2014/0128838	A1 *	5/2014	Satish	A61M 1/0001 604/503
2016/0136339	A1 *	5/2016	Begin	A61M 1/0086 604/319
2016/0360382	A1 *	12/2016	Gross	G06F 3/0488
2017/0201850	A1 *	7/2017	Raleigh	H04W 4/50
2017/0357439	A1 *	12/2017	Lemay	G06F 3/04883
2018/0091381	A1 *	3/2018	McLaughlin	G06F 9/451
2018/0250452	A1 *	9/2018	Locke	G16H 20/30

* cited by examiner

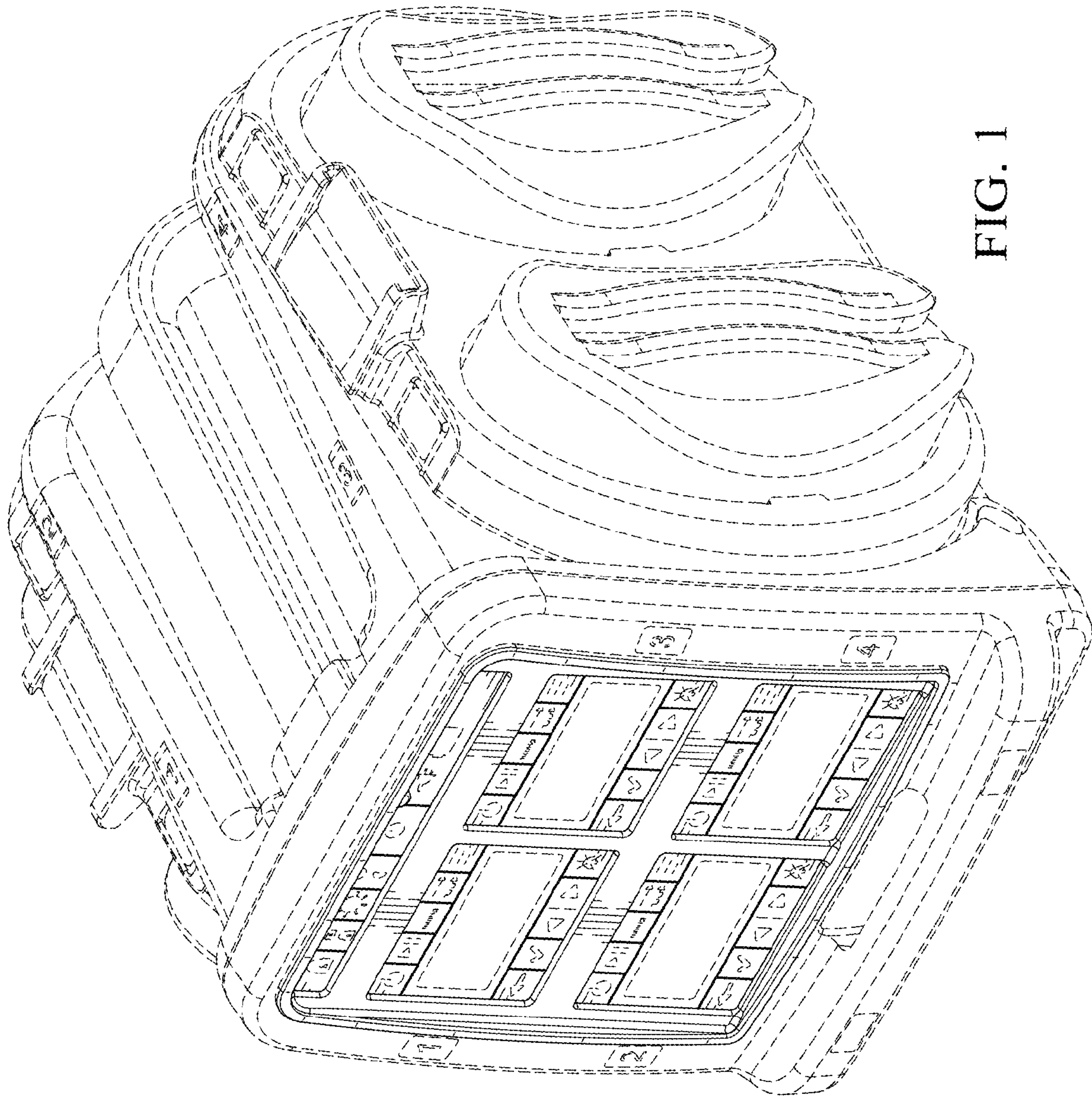


FIG. 1

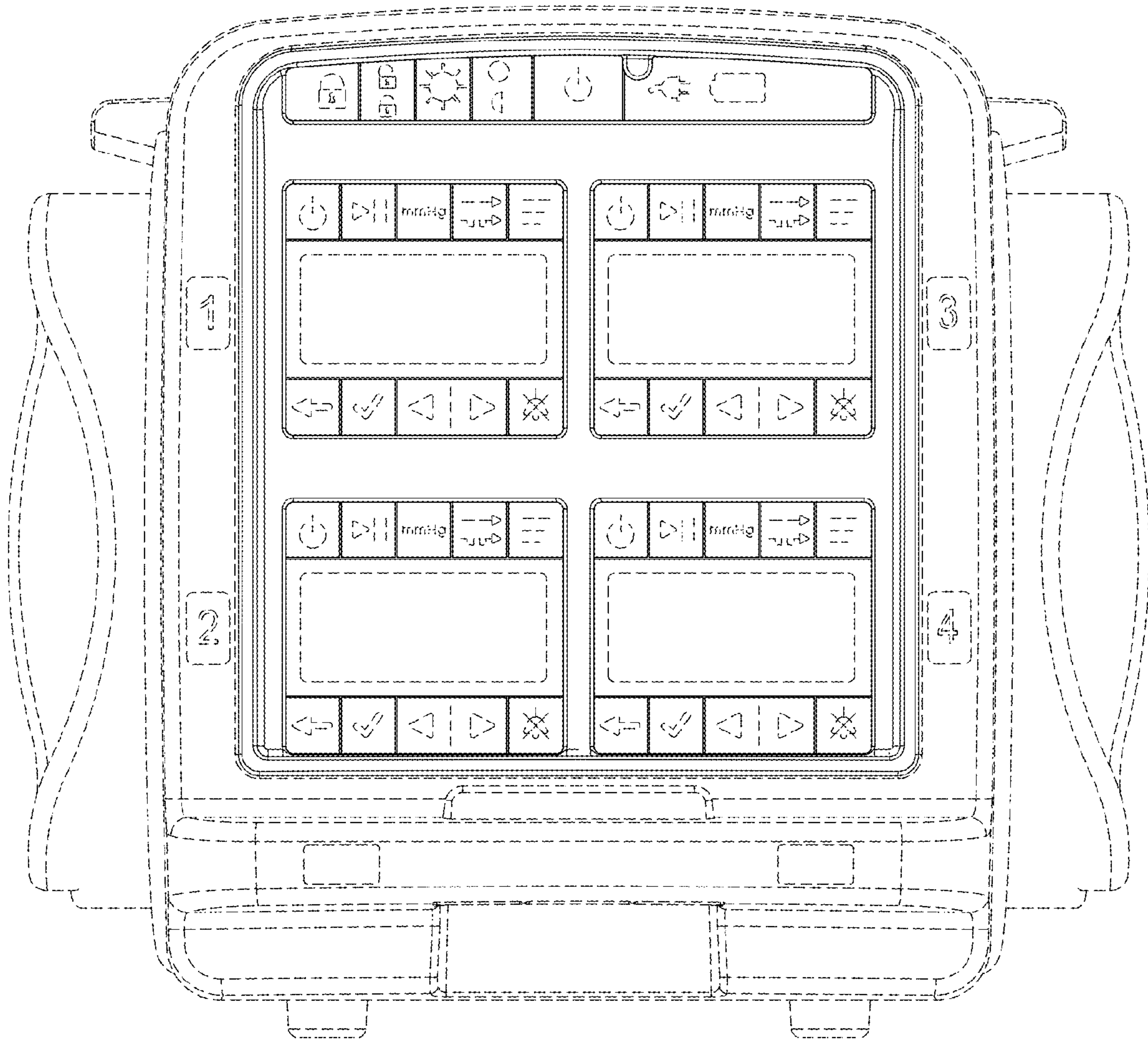


FIG. 2

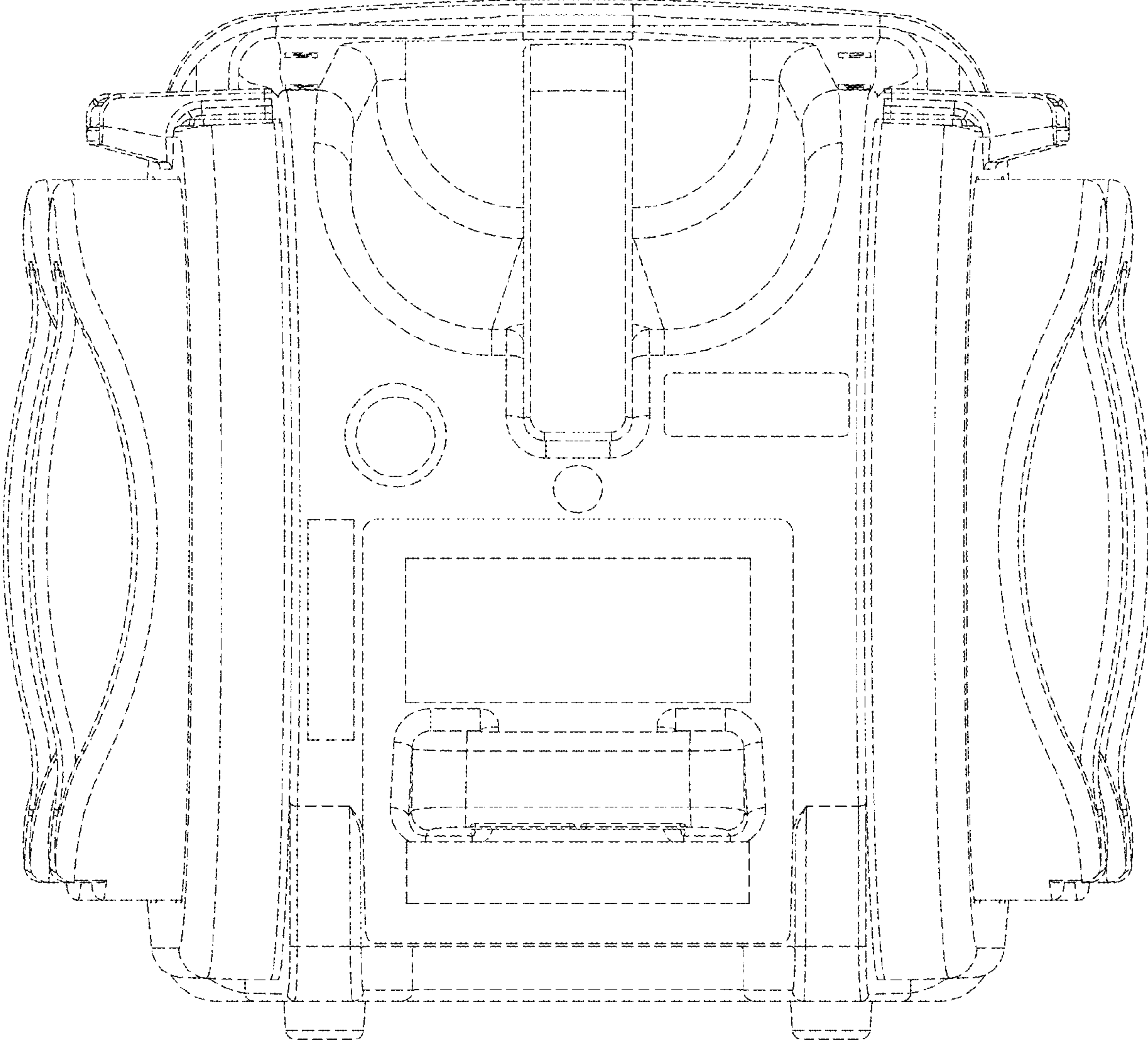


FIG. 3

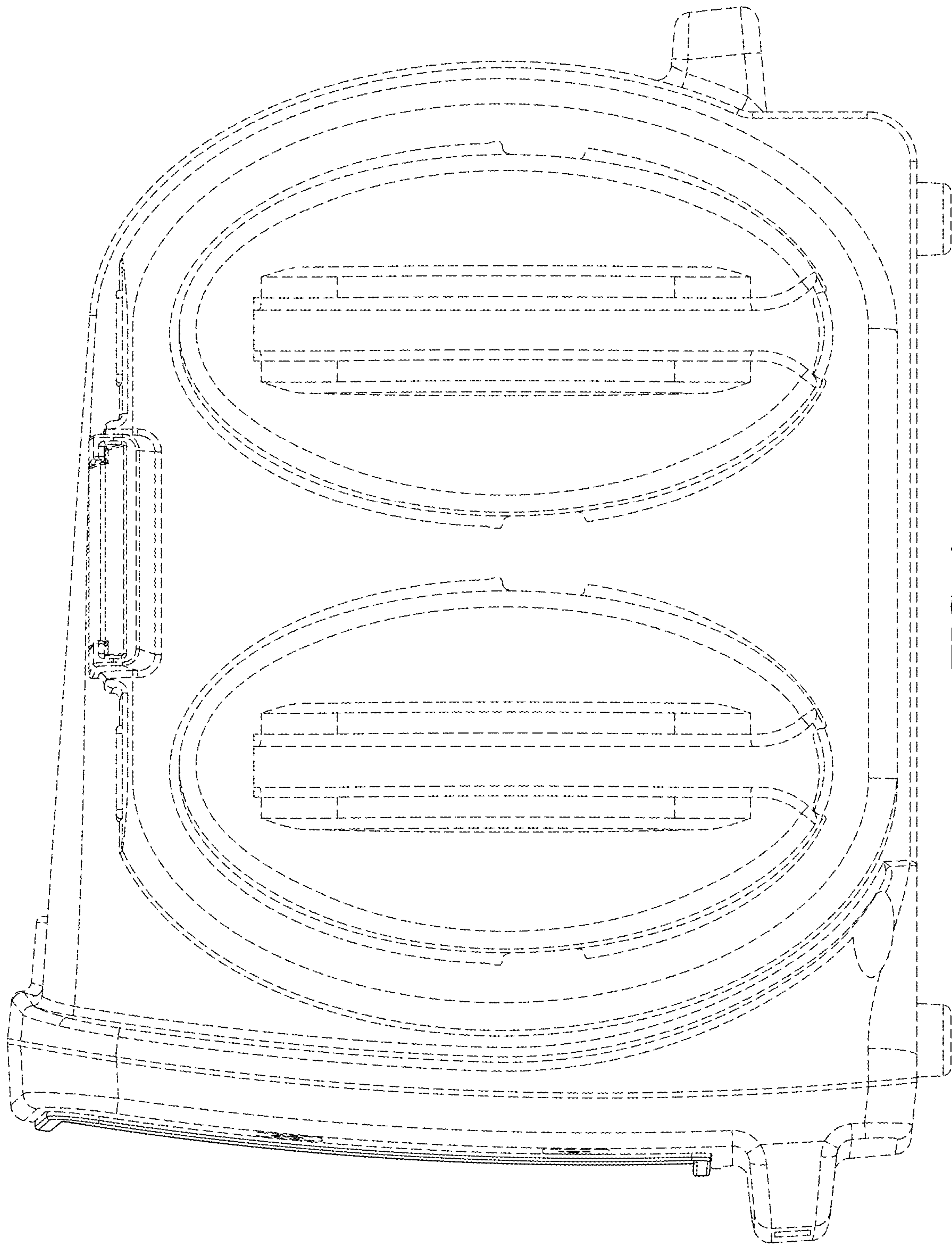


FIG. 4

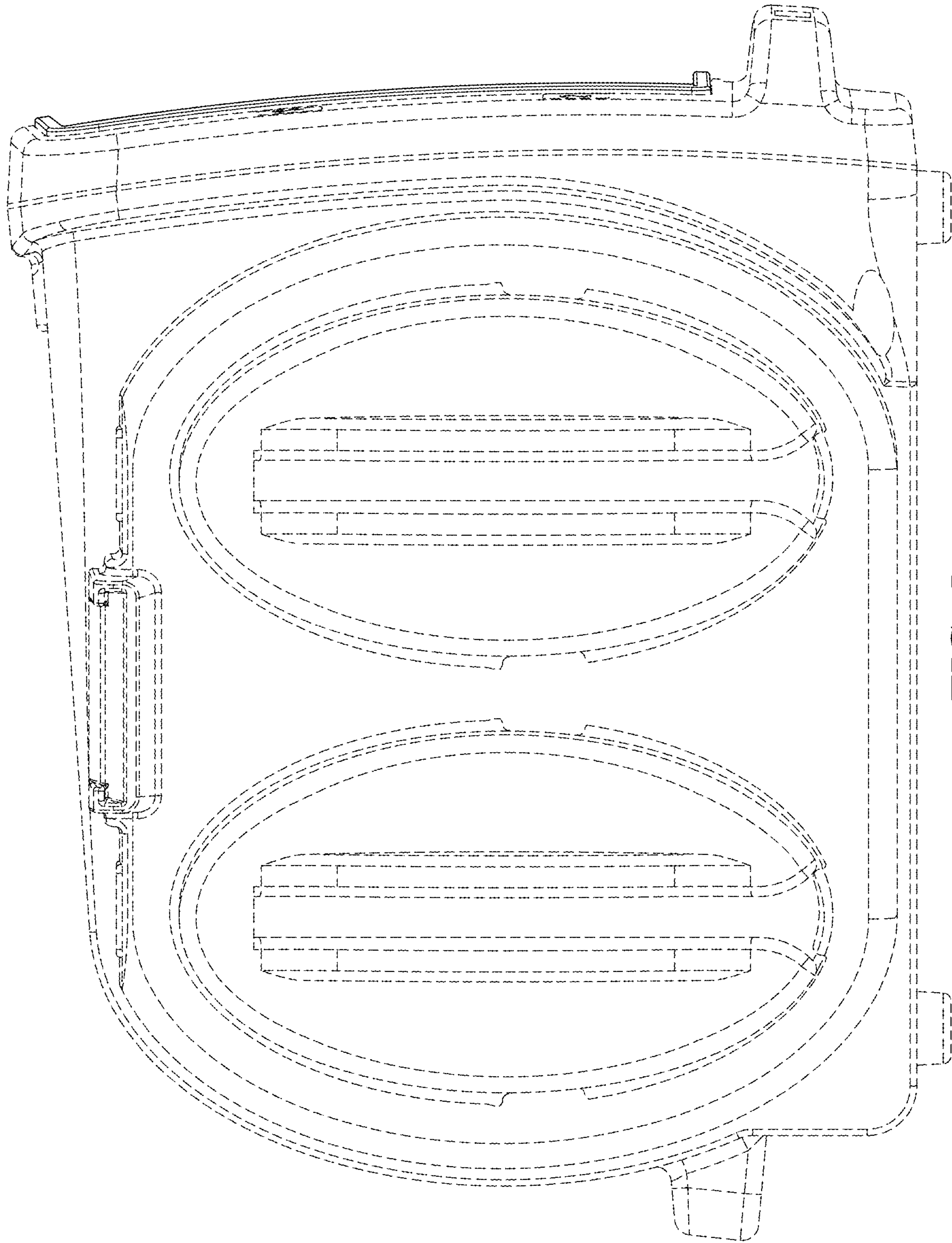


FIG. 5

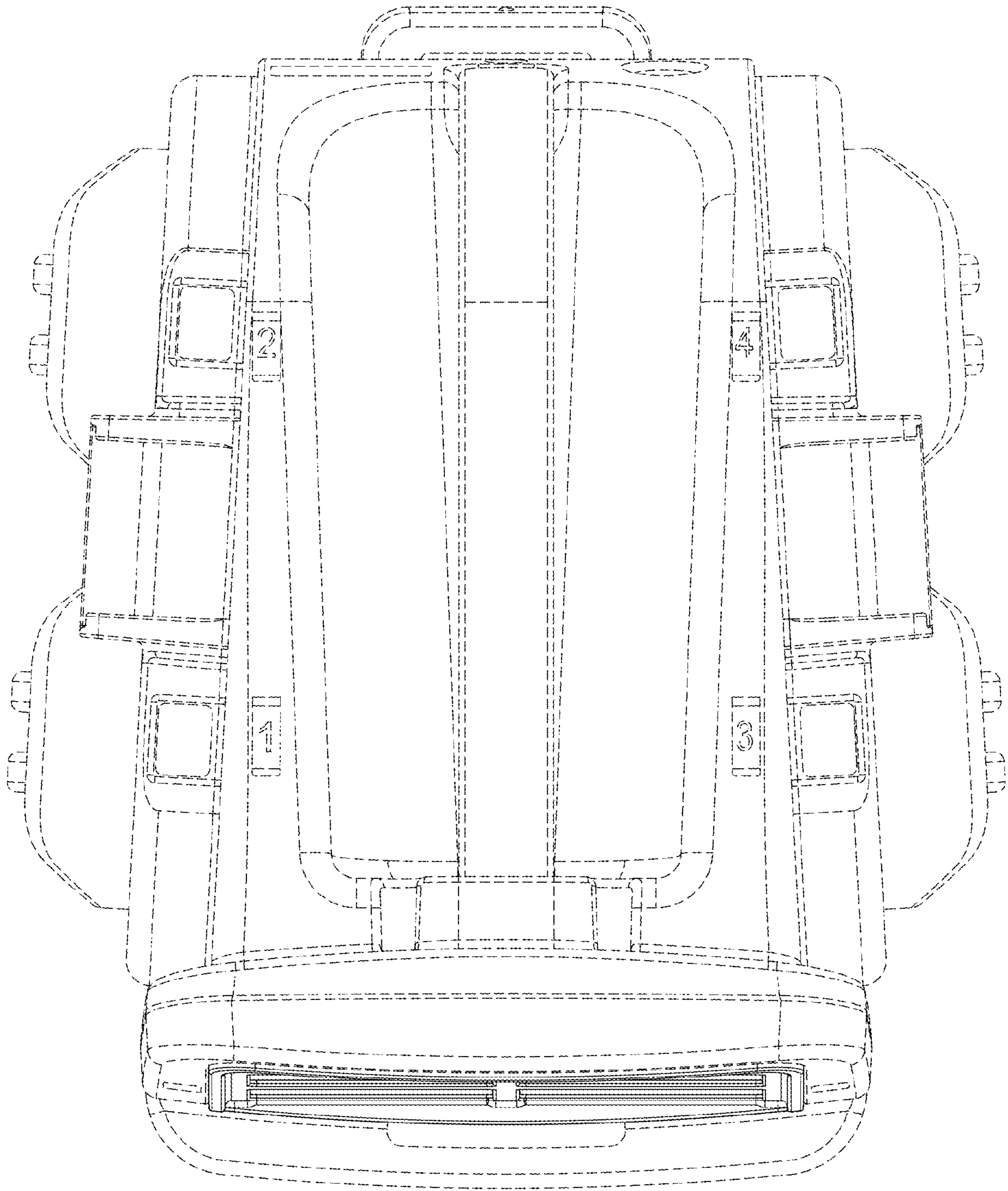


FIG. 6

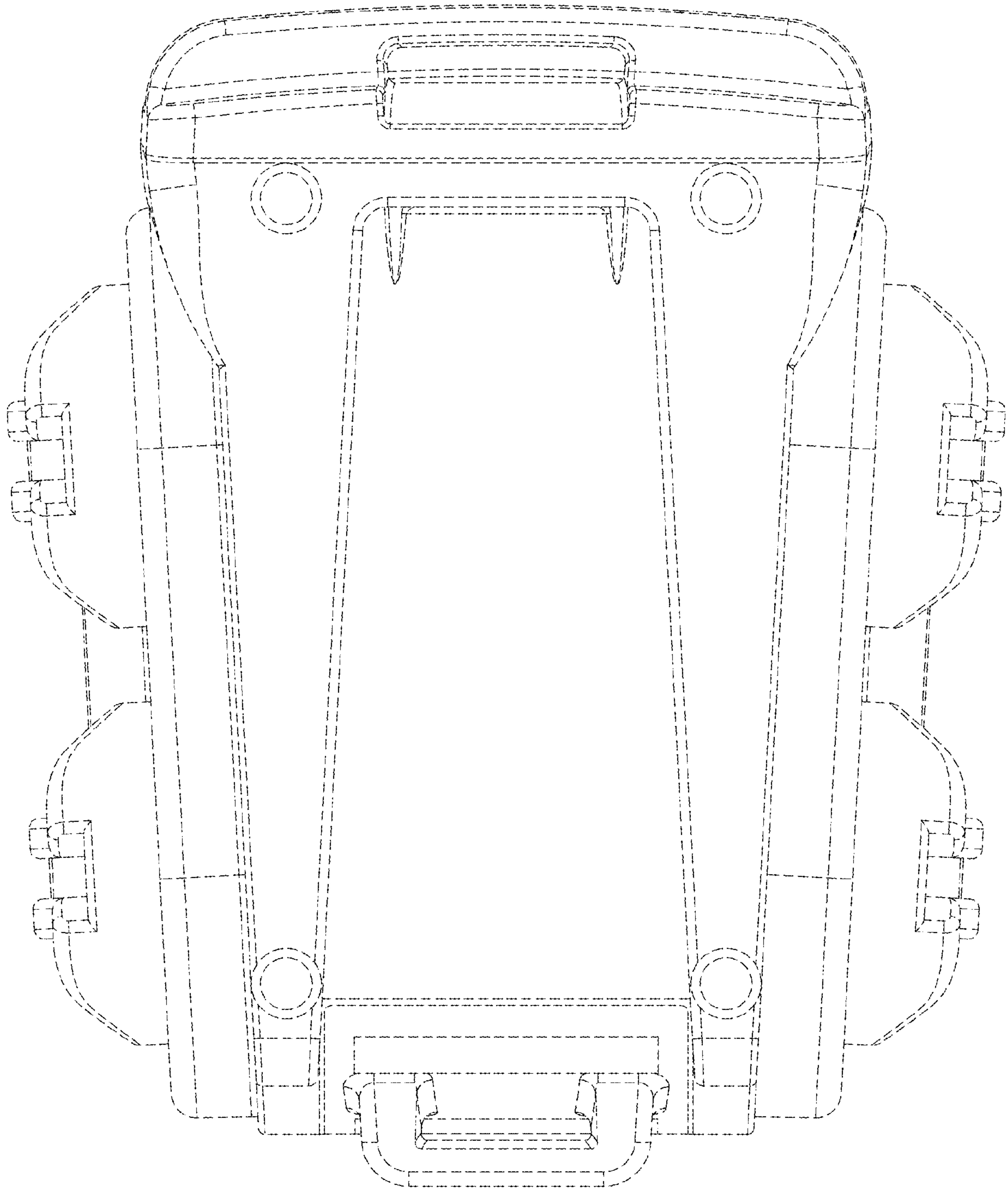


FIG. 7