



US00D881201S

(12) **United States Design Patent**
Lou

(10) **Patent No.:** **US D881,201 S**
(45) **Date of Patent:** **** Apr. 14, 2020**

(54) **SMARTPHONE AND TABLET STAND**

(71) Applicant: **Ningbo Lede Computer Technology Co., Ltd, Zhejiang (CN)**

(72) Inventor: **Yuman Lou, Zhejiang (CN)**

(73) Assignee: **NINGO LEDE COMPUTER TECHNOLOGY CO., LTD., Yuyao, Zhejiang (CN)**

(**) Term: **15 Years**

(21) Appl. No.: **29/687,623**

(22) Filed: **Apr. 15, 2019**

(51) **LOC (12) Cl.** **08-07**

(52) **U.S. Cl.**
USPC **D14/447**

(58) **Field of Classification Search**
USPC D14/447, 432, 434, 439, 440, 451, 452, D14/457, 239, 253; D8/363, 373, 380; D6/406.3, 406.4, 406.5, 406.6; D12/415
CPC A47B 21/04; A47B 2097/006; A47B 2097/005; A47B 2023/049; A45C 2011/002; A45C 2011/003; F16M 2200/00; F16M 13/00
See application file for complete search history.

(56) **References Cited**

U.S. PATENT DOCUMENTS

D603,322 S * 11/2009 Nicieja D12/415
D626,541 S * 11/2010 Kim D14/253
D650,372 S * 12/2011 Molter D14/239

D654,120 S * 2/2012 Lin D14/434
D674,805 S * 1/2013 Vincent D14/447
D693,352 S * 11/2013 Gelsomini D14/447
D718,297 S * 11/2014 Aspinall D14/253
D738,873 S * 9/2015 Kim D14/253
D760,723 S * 7/2016 Won D14/447
D799,467 S * 10/2017 Lou D14/253
D857,704 S * 8/2019 Verschoor D14/447
D858,257 S * 9/2019 Yang D8/355
D872,719 S * 1/2020 Knapp D14/239

* cited by examiner

Primary Examiner — Angela J Lee

(74) *Attorney, Agent, or Firm* — Charles C. Achkar; Ostrolenk Faber LLP

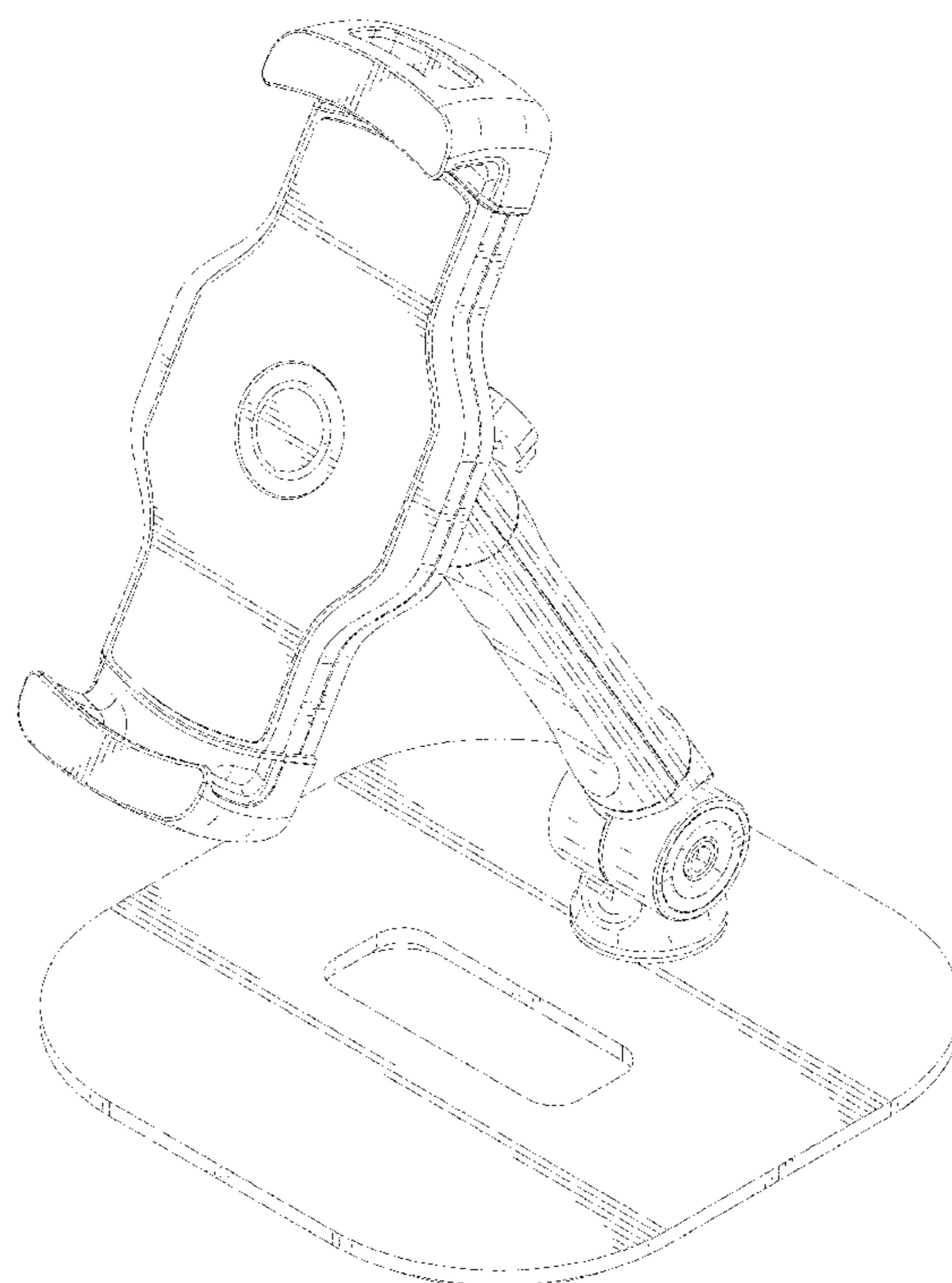
(57) **CLAIM**

The ornamental design for a smartphone and tablet stand, as shown and described.

DESCRIPTION

FIG. 1 is a front elevation view of a smartphone and tablet stand, showing my new design, wherein the cradle of the stand is oriented at an angle;
FIG. 2 is a rear elevation view thereof;
FIG. 3 is a right side elevation view thereof;
FIG. 4 is a left side elevation view thereof;
FIG. 5 is a top plan view thereof;
FIG. 6 is a bottom plan view thereof;
FIG. 7 is a top, front, left perspective view thereof;
FIG. 8 is a top, rear, right perspective view thereof; and,
FIG. 9 is a bottom, rear, left perspective view thereof.
The broken lines illustrate features that form no part of the claimed design.

1 Claim, 9 Drawing Sheets



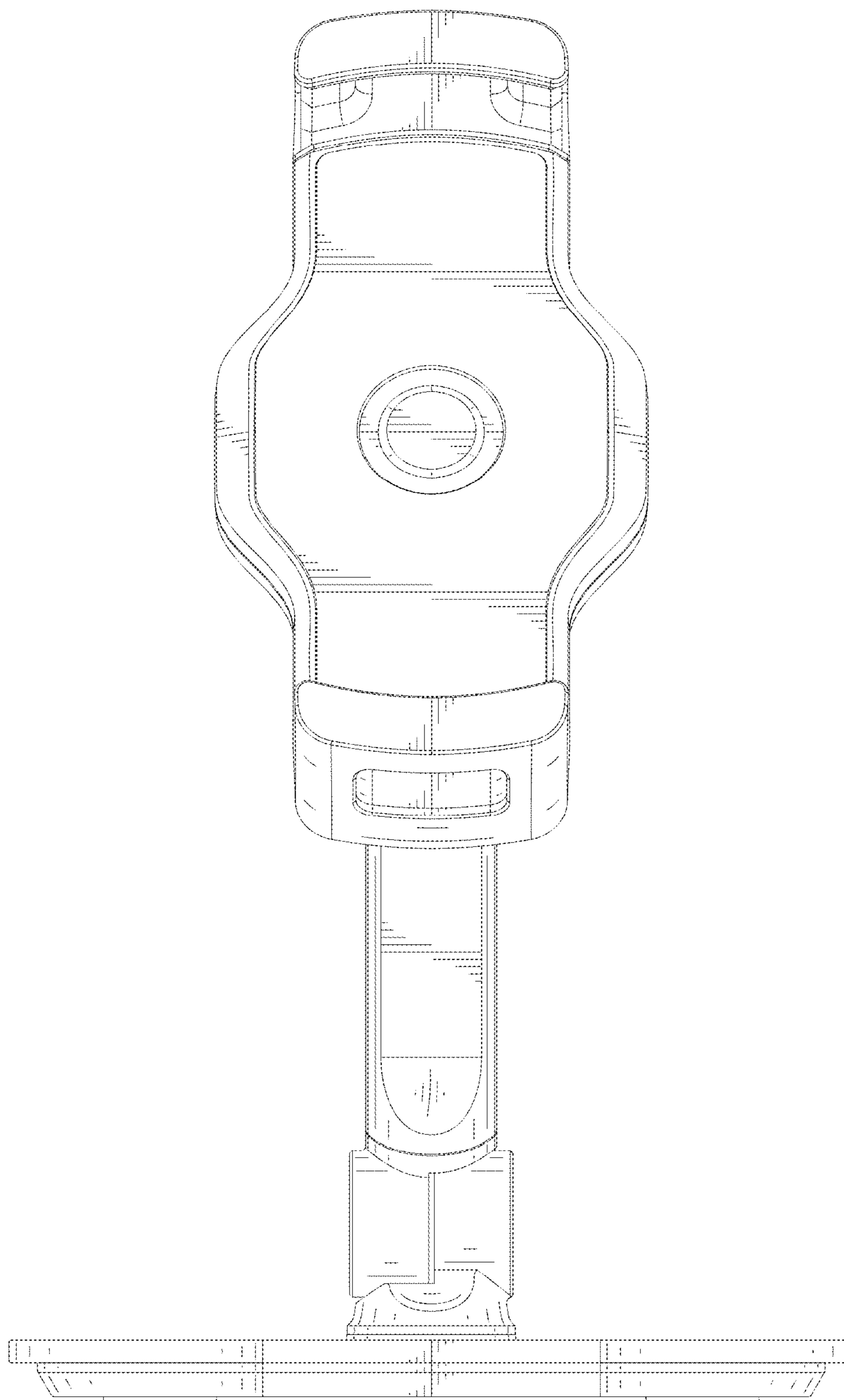


FIG.1

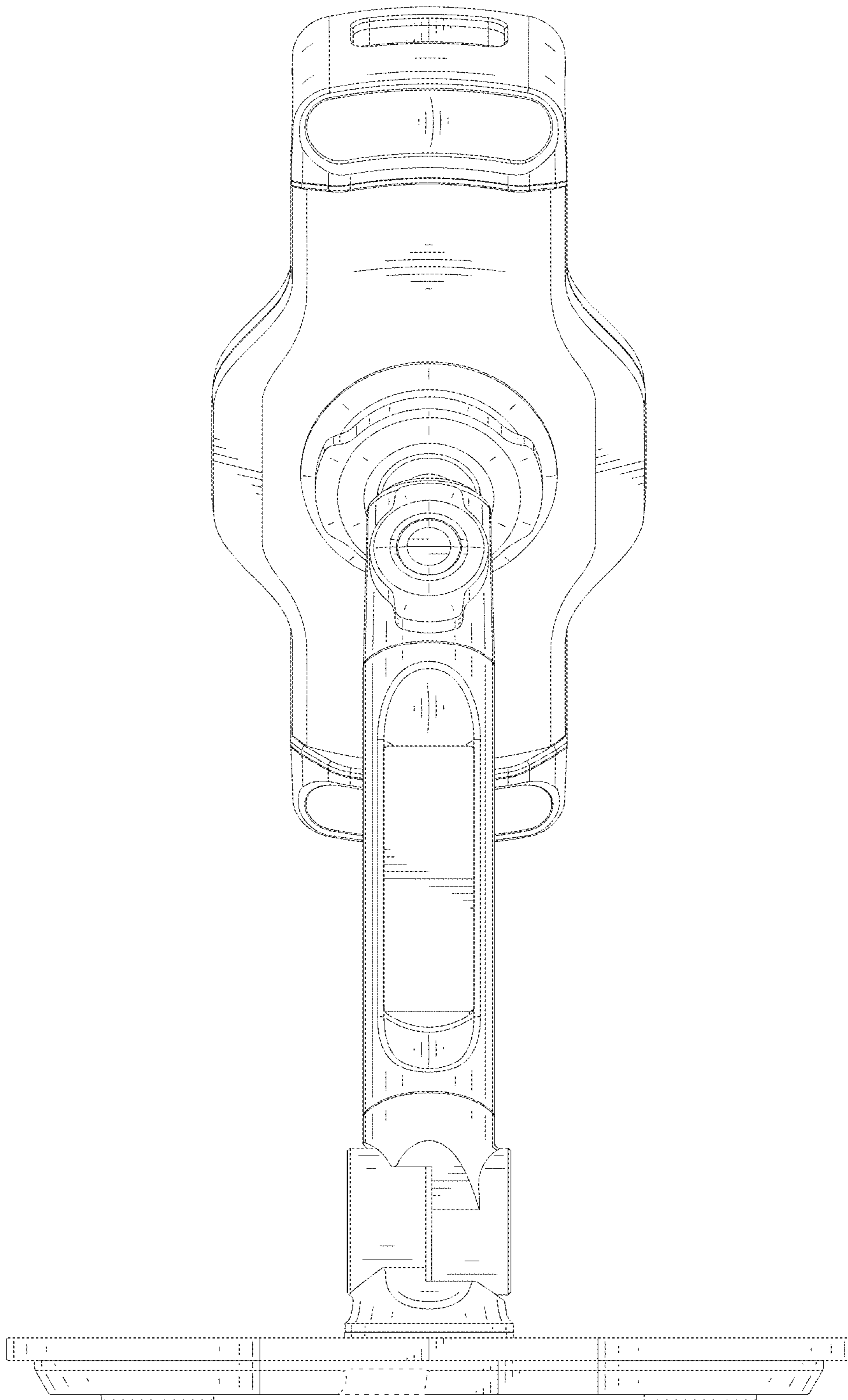


FIG.2

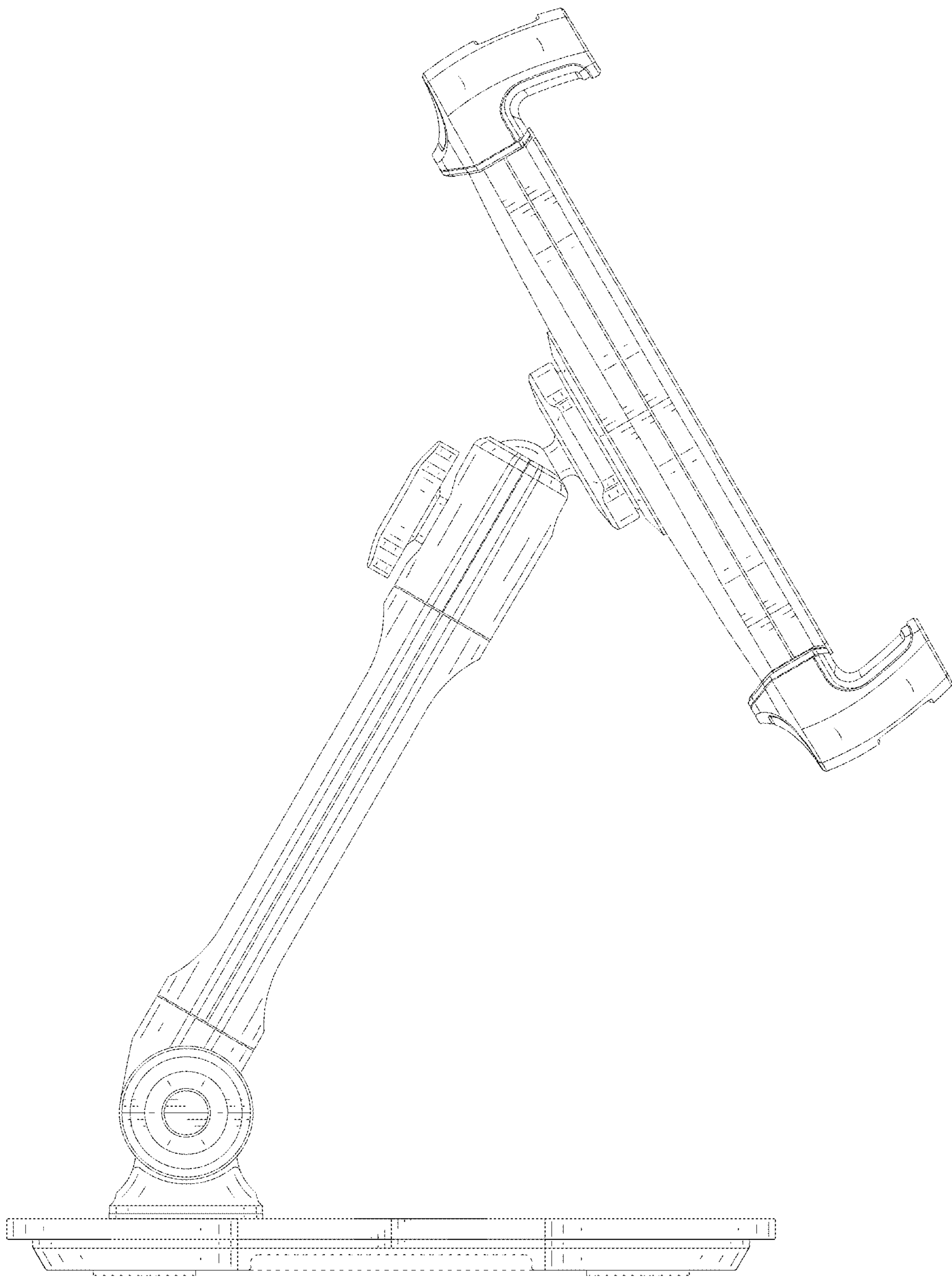


FIG.3

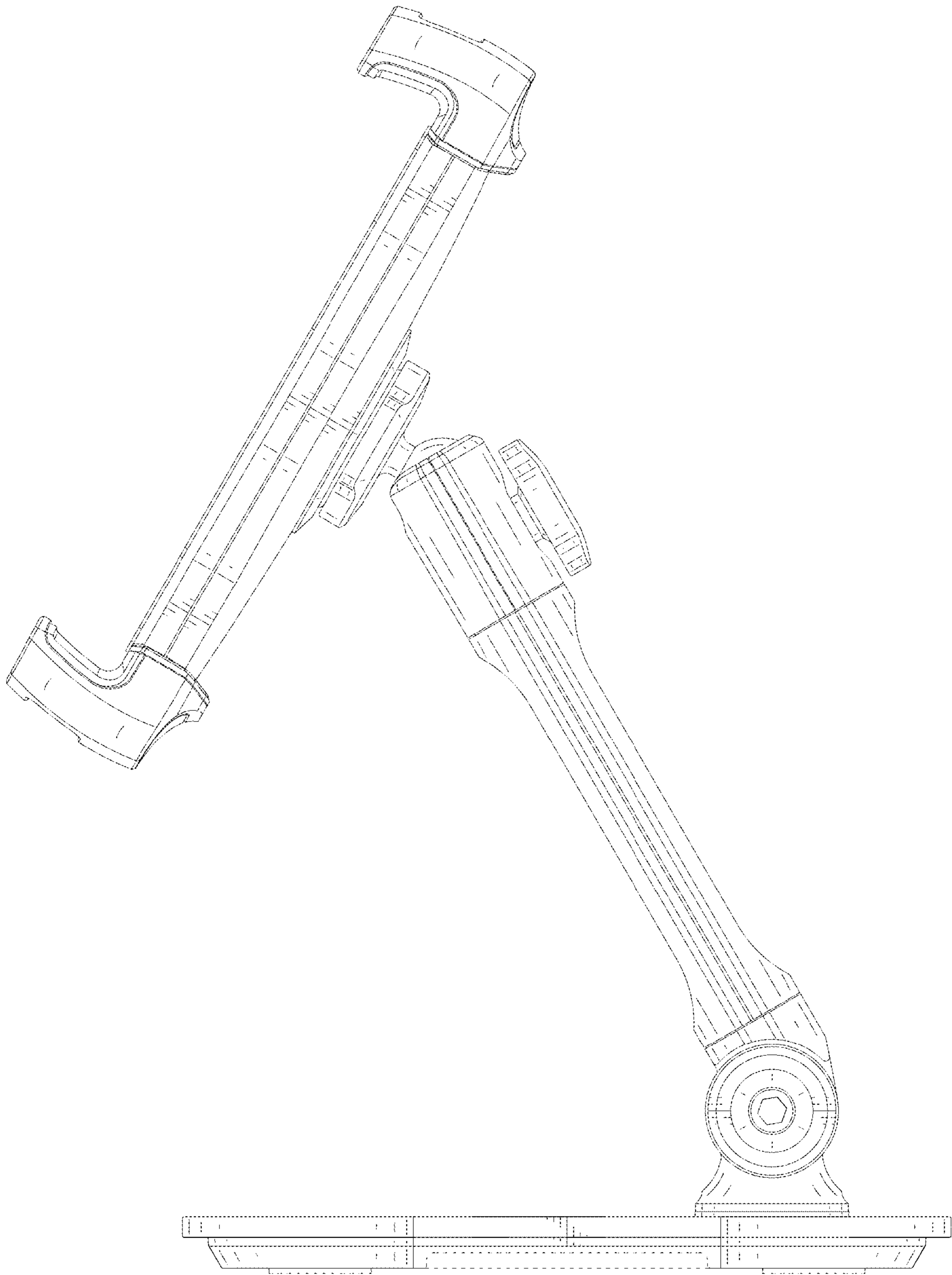


FIG.4

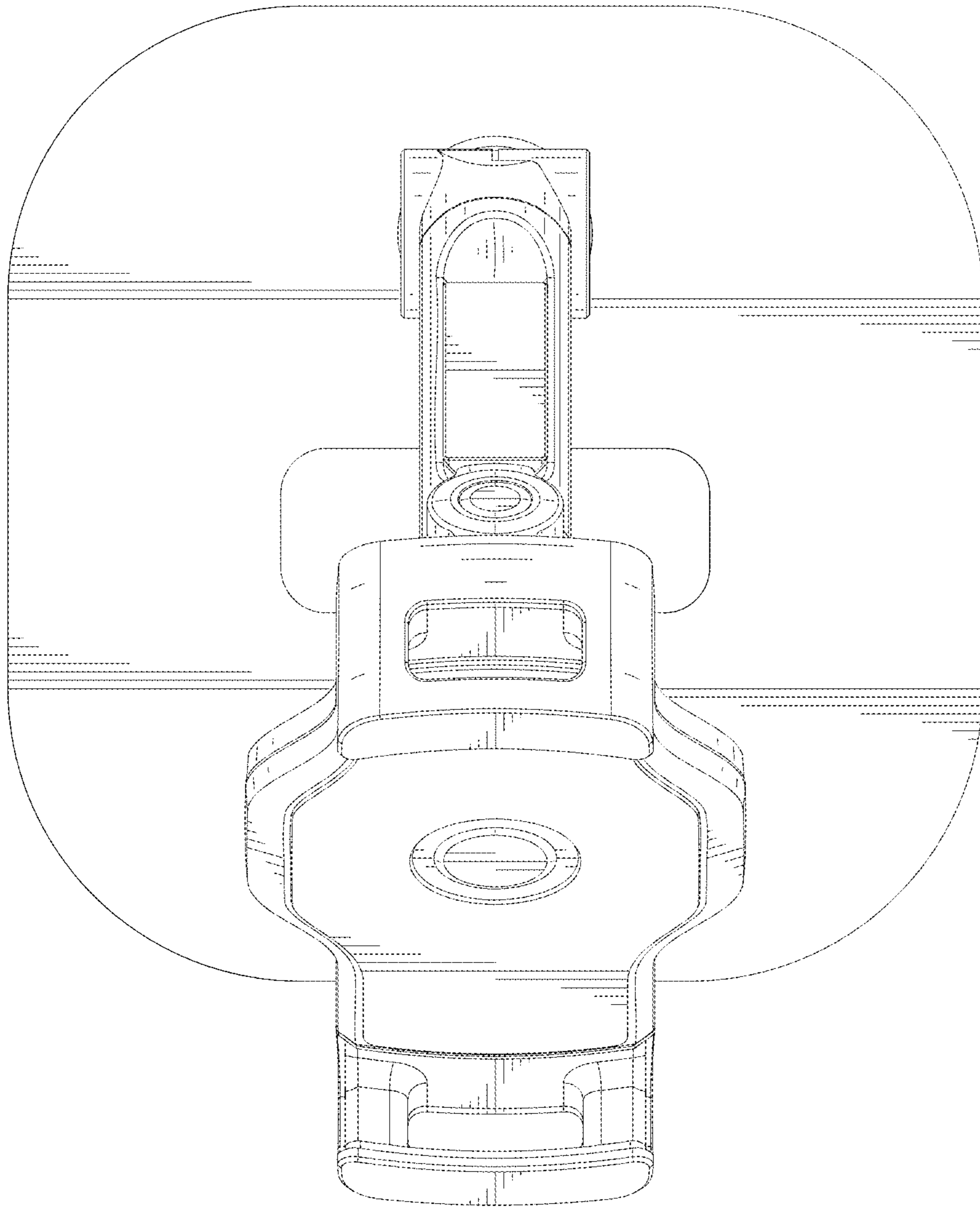


FIG.5

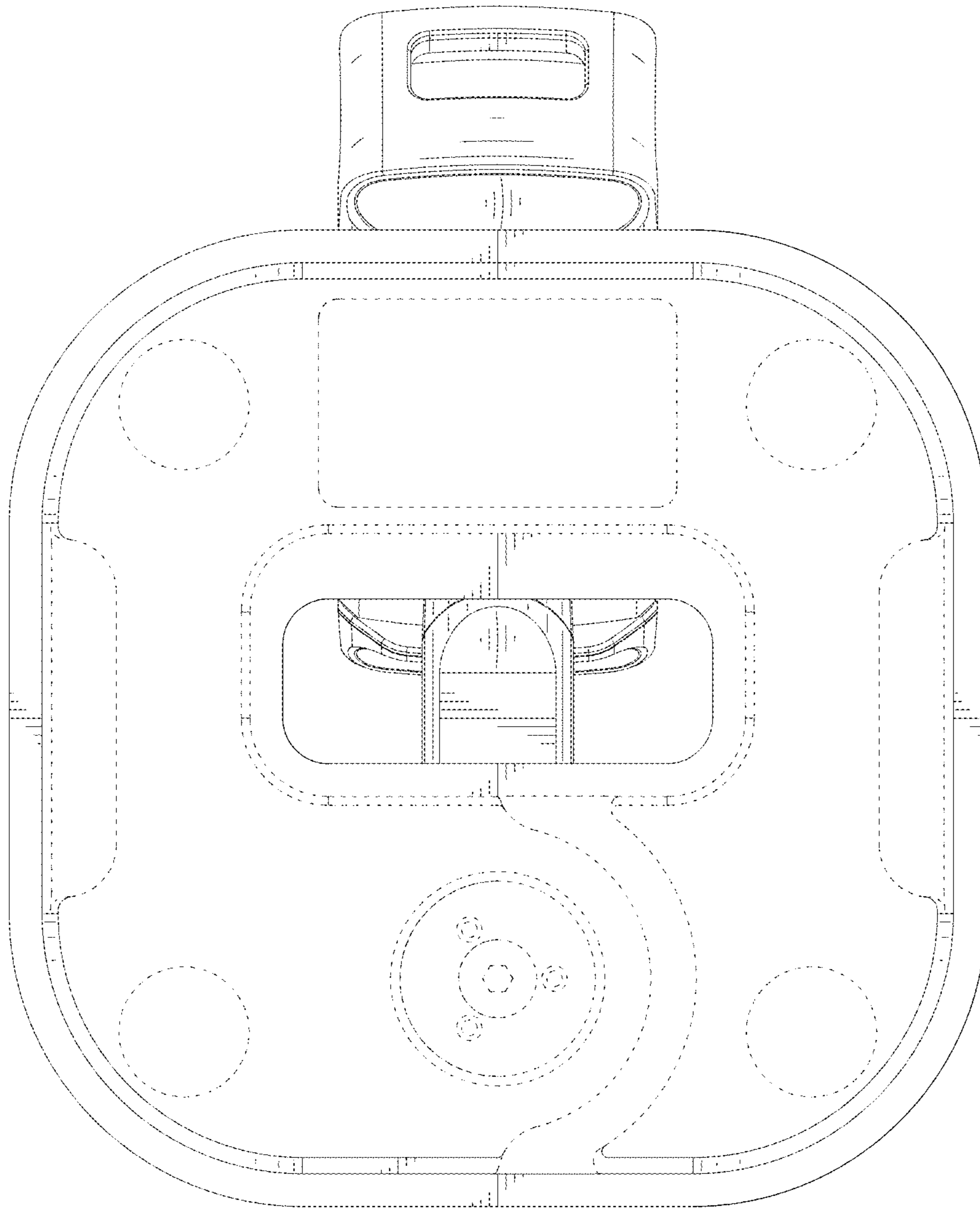


FIG.6

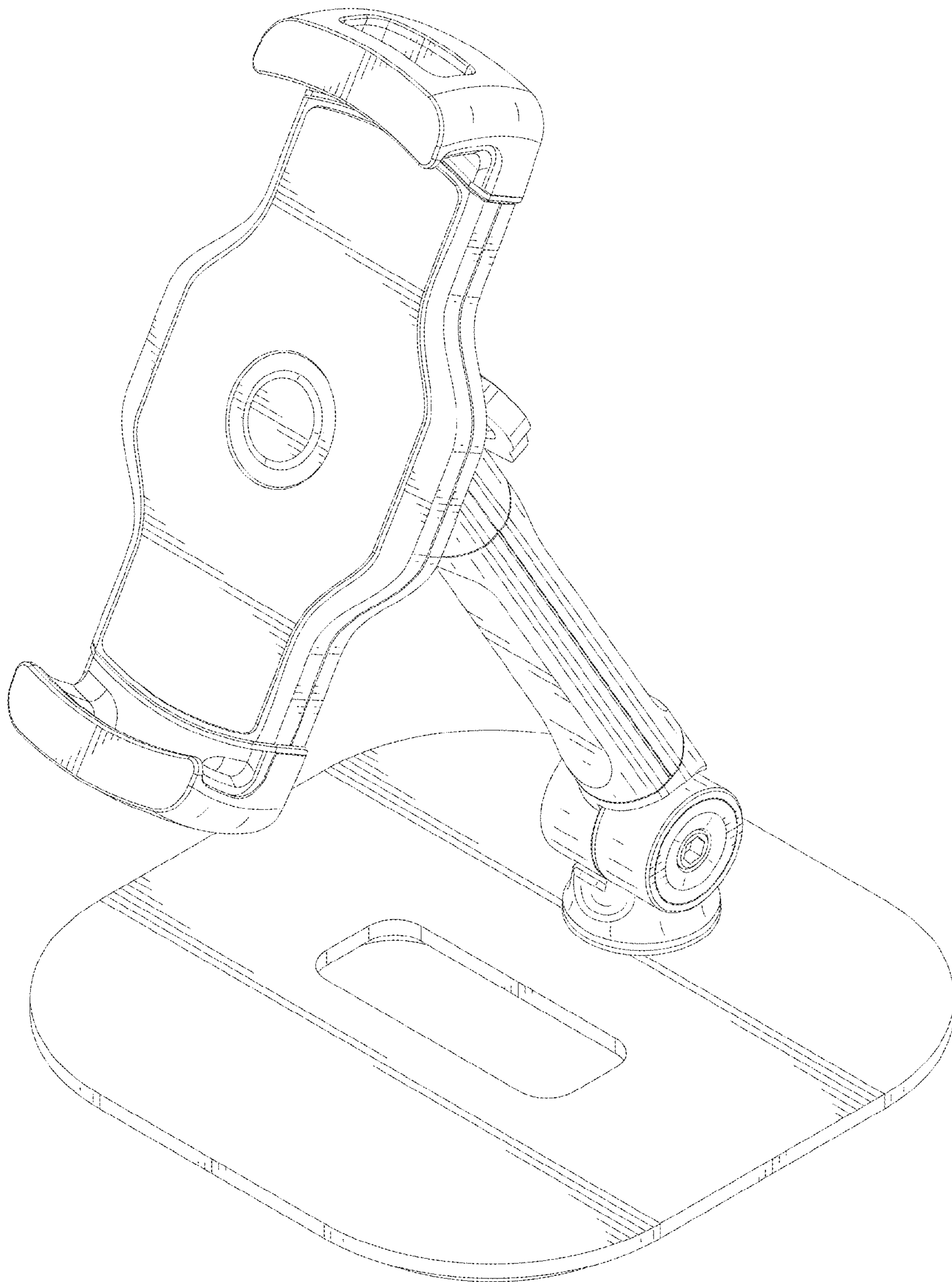


FIG.7

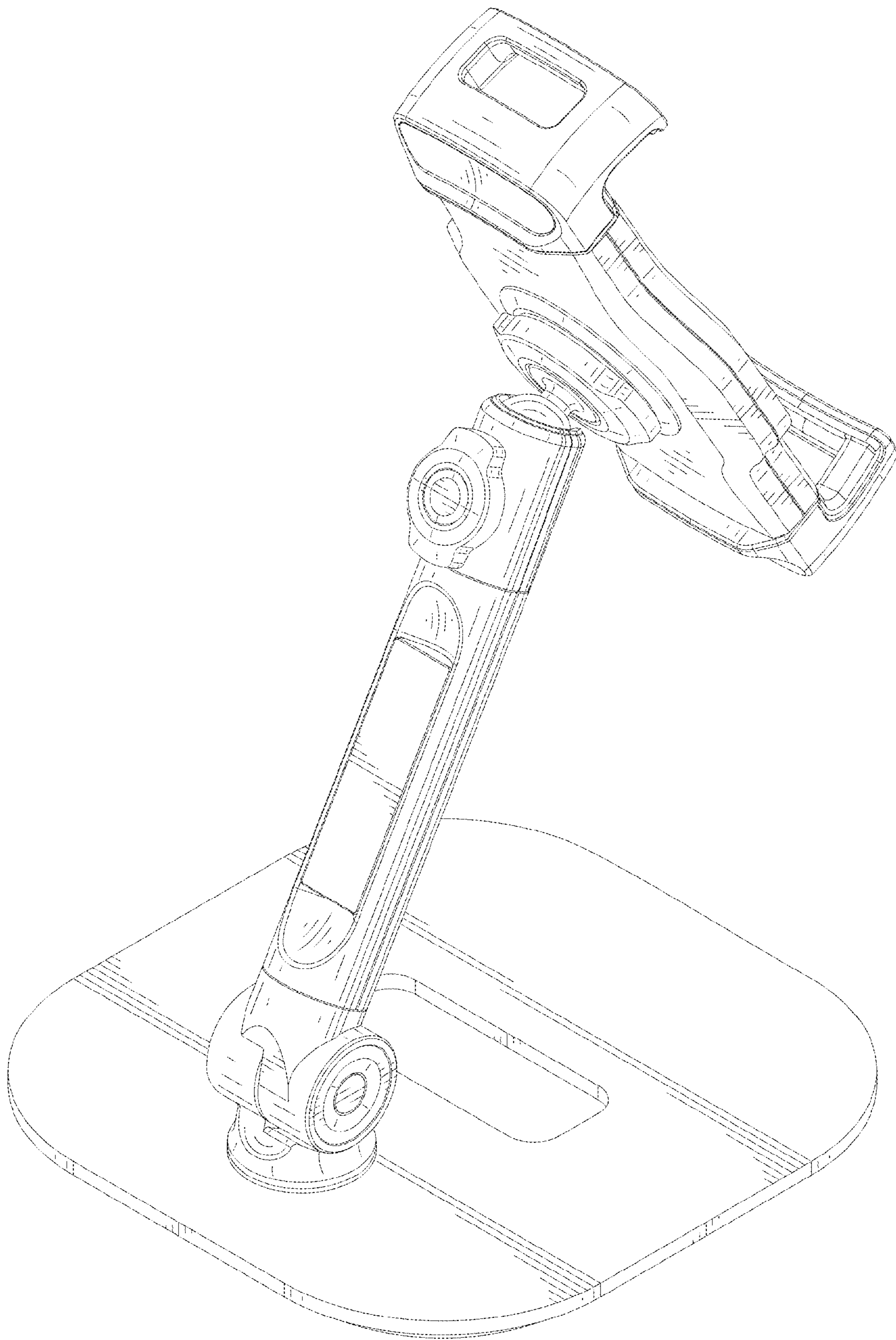


FIG.8

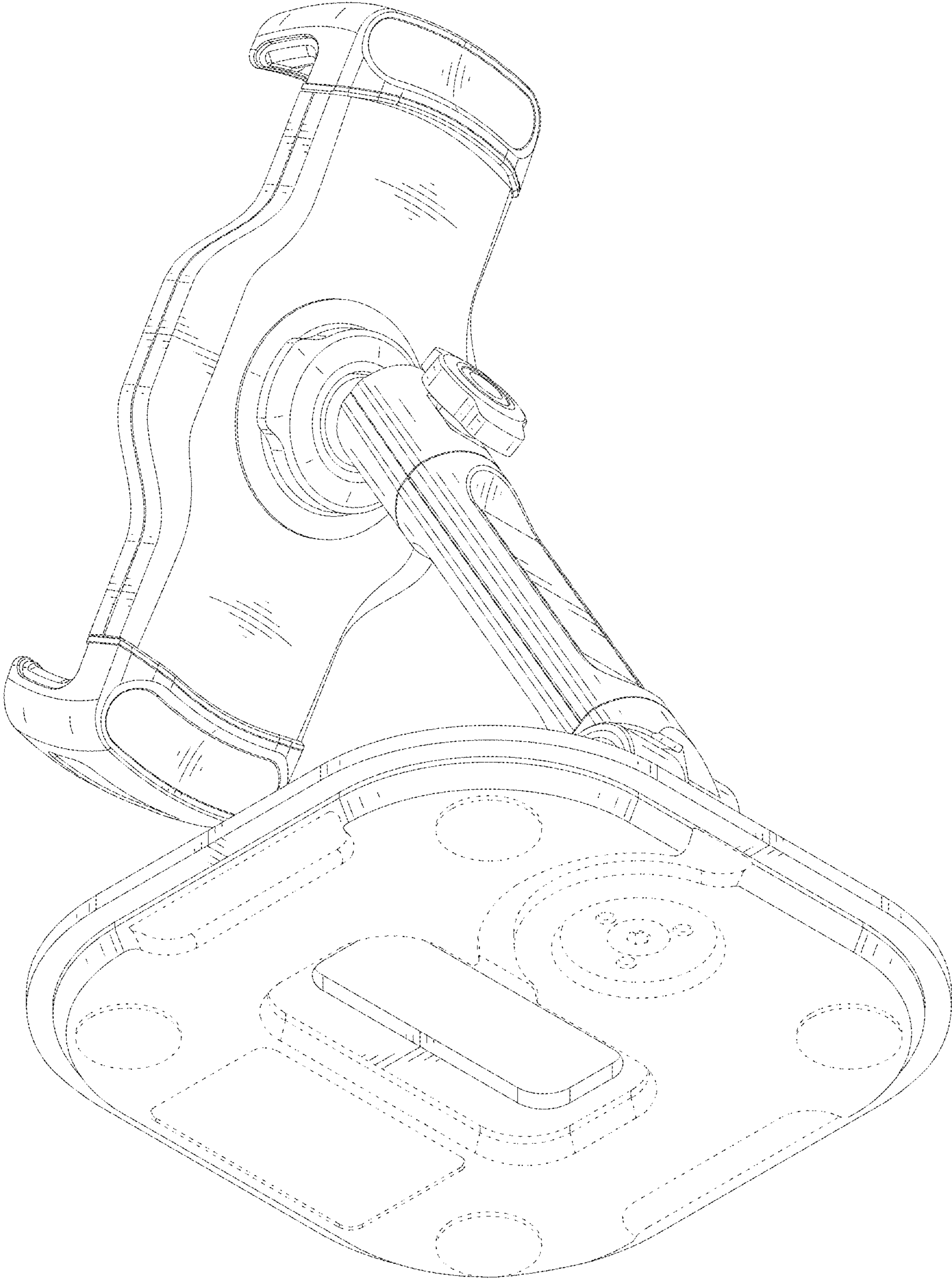


FIG.9