



US00D881200S

(12) **United States Design Patent**
Leeds-Frank

(10) **Patent No.:** **US D881,200 S**
(45) **Date of Patent:** **** Apr. 14, 2020**

(54) **MOUNT HEAD FOR MOBILE DEVICE**

(71) Applicant: **iOttie, Inc.**, New York, NY (US)

(72) Inventor: **Jeremy Leeds-Frank**, Mineola, NY (US)

(73) Assignee: **iOttie, Inc.**, New York, NY (US)

(**) Term: **15 Years**

(21) Appl. No.: **29/674,883**

(22) Filed: **Dec. 27, 2018**

(51) **LOC (12) Cl.** **08-07**

(52) **U.S. Cl.**
USPC **D14/447**

(58) **Field of Classification Search**
USPC D14/447, 432, 434, 439, 440, 451, 452,
D14/457, 239, 253; D8/363, 373, 380;
D6/406.3, 406.4, 406.5, 406.6; D12/415
CPC A47B 21/04; A47B 2097/006; A47B
2097/005; A47B 2023/049; A45C
2011/002; A45C 2011/003; F16M
2200/00; F16M 13/00

See application file for complete search history.

(56) **References Cited**

U.S. PATENT DOCUMENTS

D530,713 S * 10/2006 Richter D14/253
D566,118 S * 4/2008 Brassard D14/434

D684,980 S * 6/2013 Chun D14/447
D685,379 S * 7/2013 Richter D14/253
D685,380 S * 7/2013 Richter D14/253
D696,672 S * 12/2013 Brittain D14/447
D717,307 S * 11/2014 Chun D14/447
D742,387 S * 11/2015 Xiang D14/447
D750,612 S * 3/2016 Chen D14/253
D752,571 S * 3/2016 Richter D14/253
D784,923 S * 4/2017 Song D13/108
D804,487 S * 12/2017 Theis D14/447
D861,670 S * 10/2019 Li D14/253

* cited by examiner

Primary Examiner — Angela J Lee

(74) *Attorney, Agent, or Firm* — Lucas & Mercanti, LLP

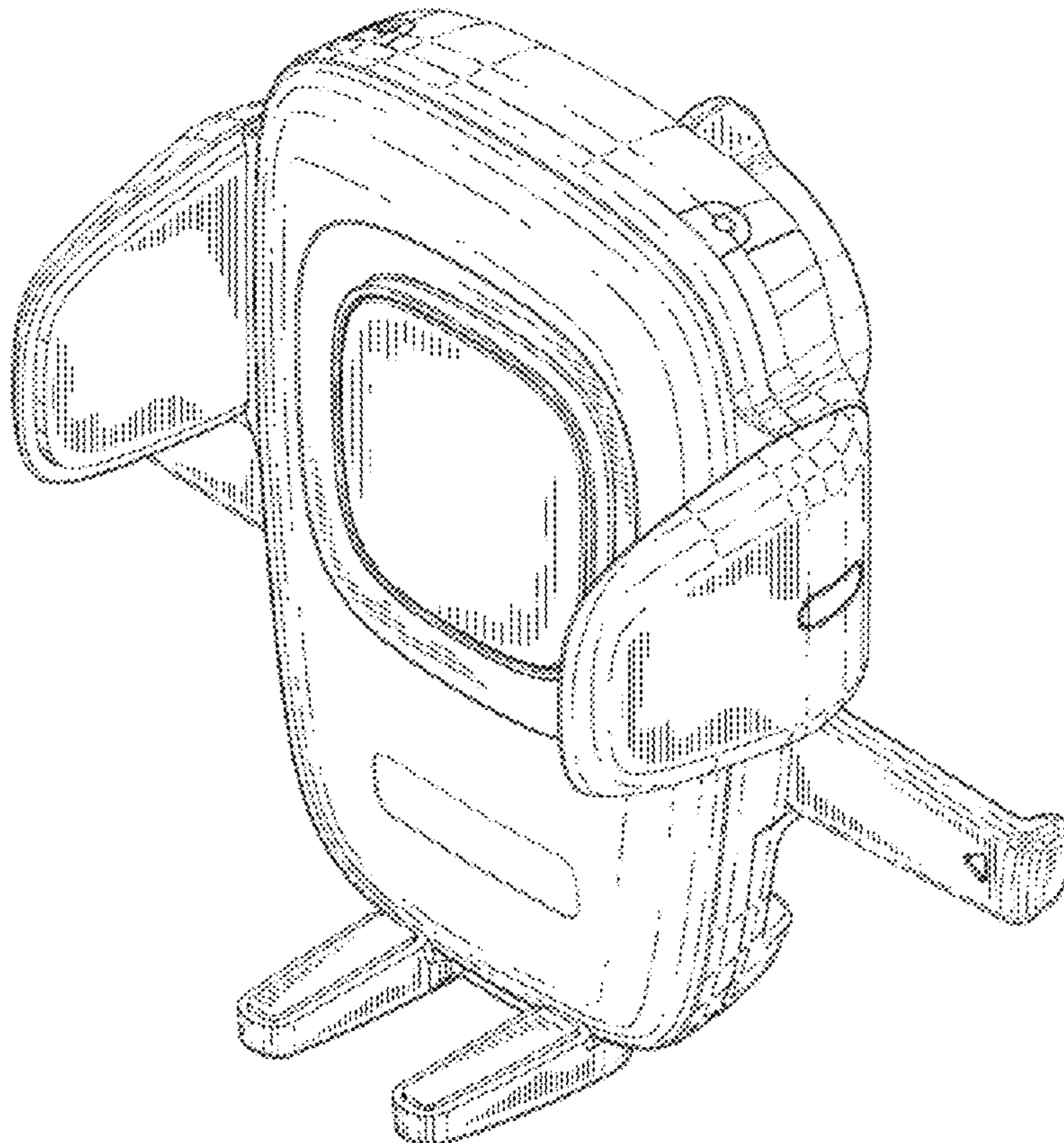
(57) **CLAIM**

The ornamental design for a mount head for mobile device, as shown and described.

DESCRIPTION

FIG. 1 is a front view of our new design for a mount head for mobile device;
FIG. 2 is a rear view thereof,
FIG. 3 is a left side view thereof;
FIG. 4 is a right side view thereof;
FIG. 5 is a top view thereof;
FIG. 6 is a bottom view thereof;
FIG. 7 is a front perspective view thereof; and,
FIG. 8 is a rear perspective view thereof.

1 Claim, 7 Drawing Sheets



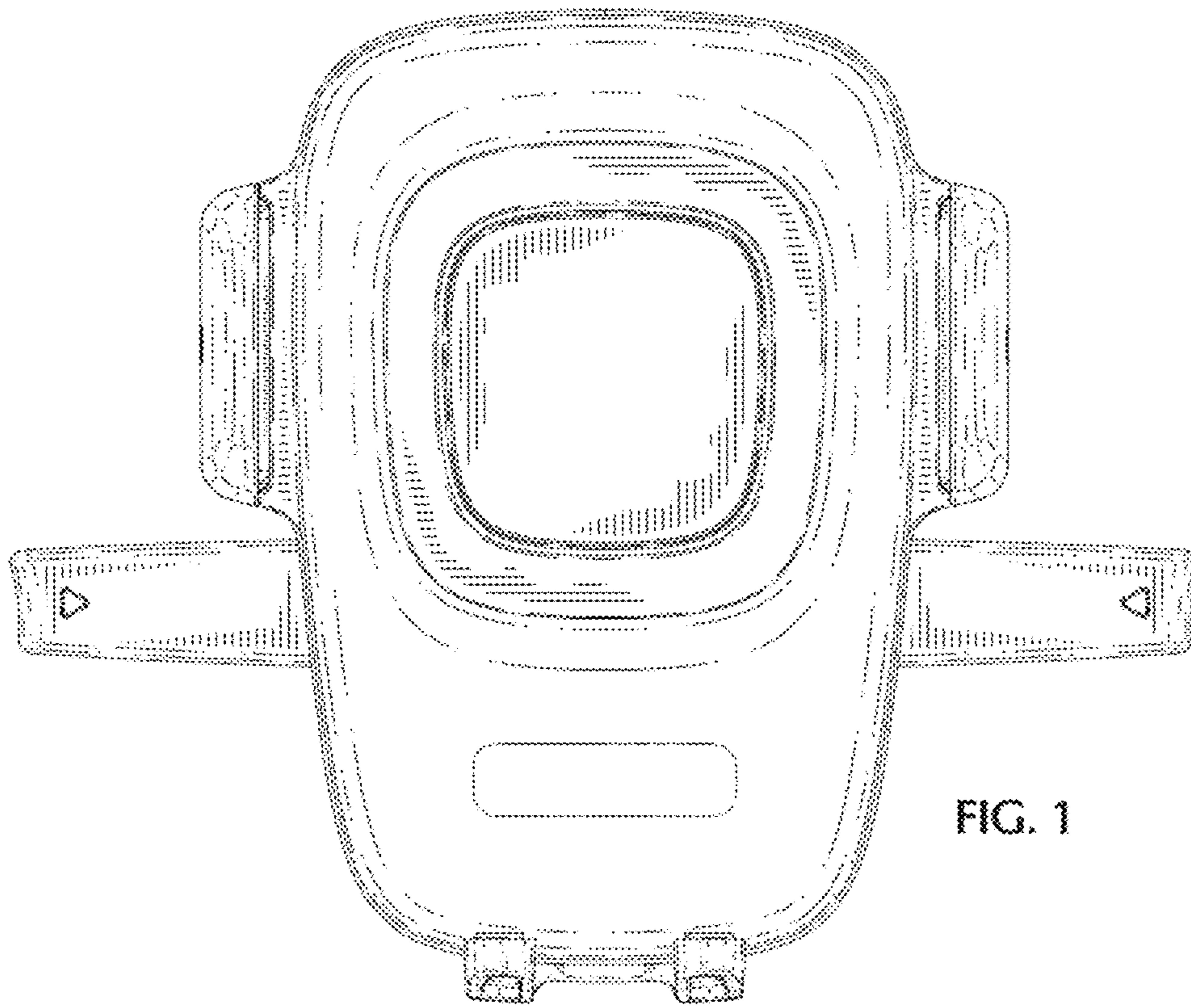


FIG. 1

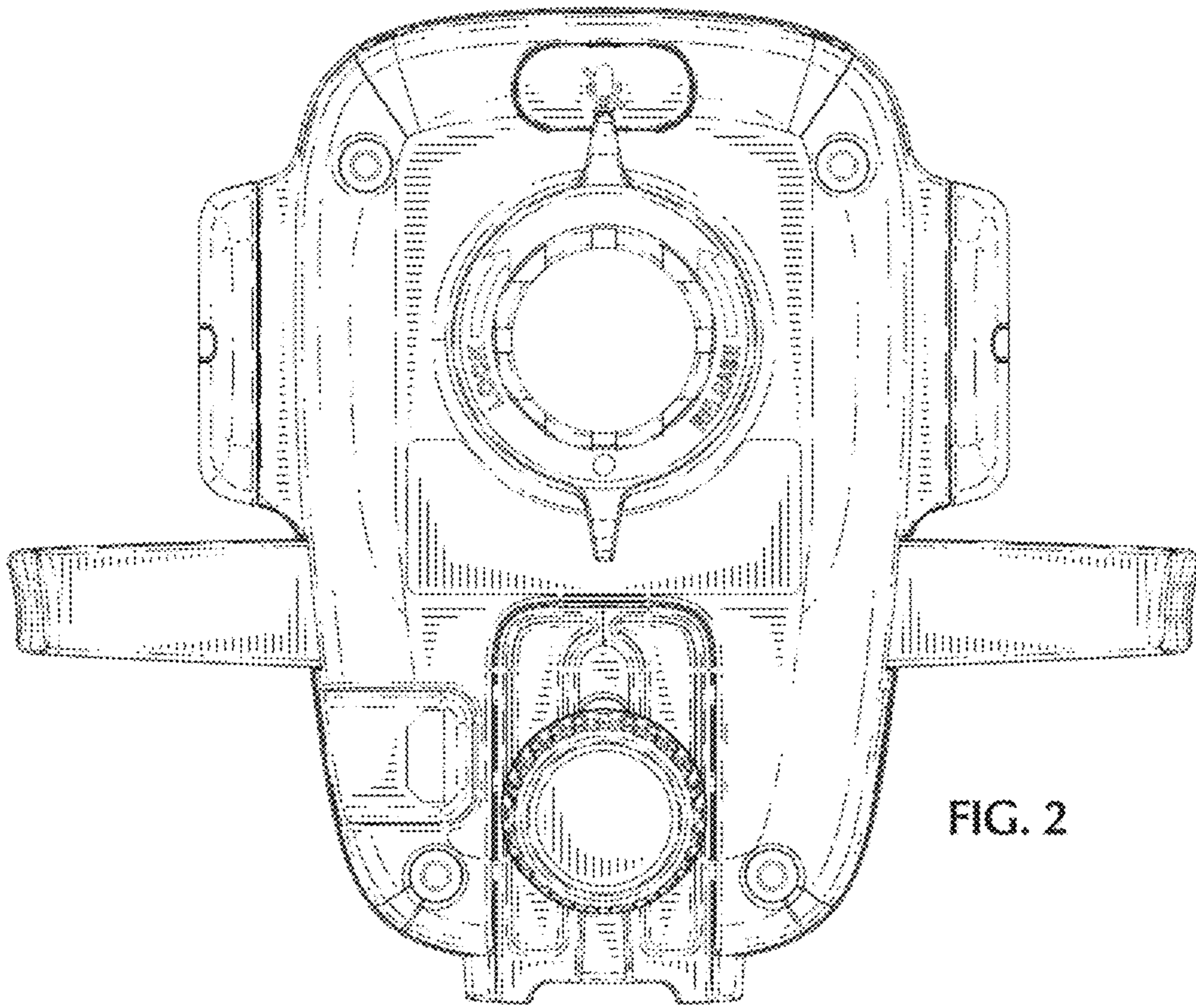
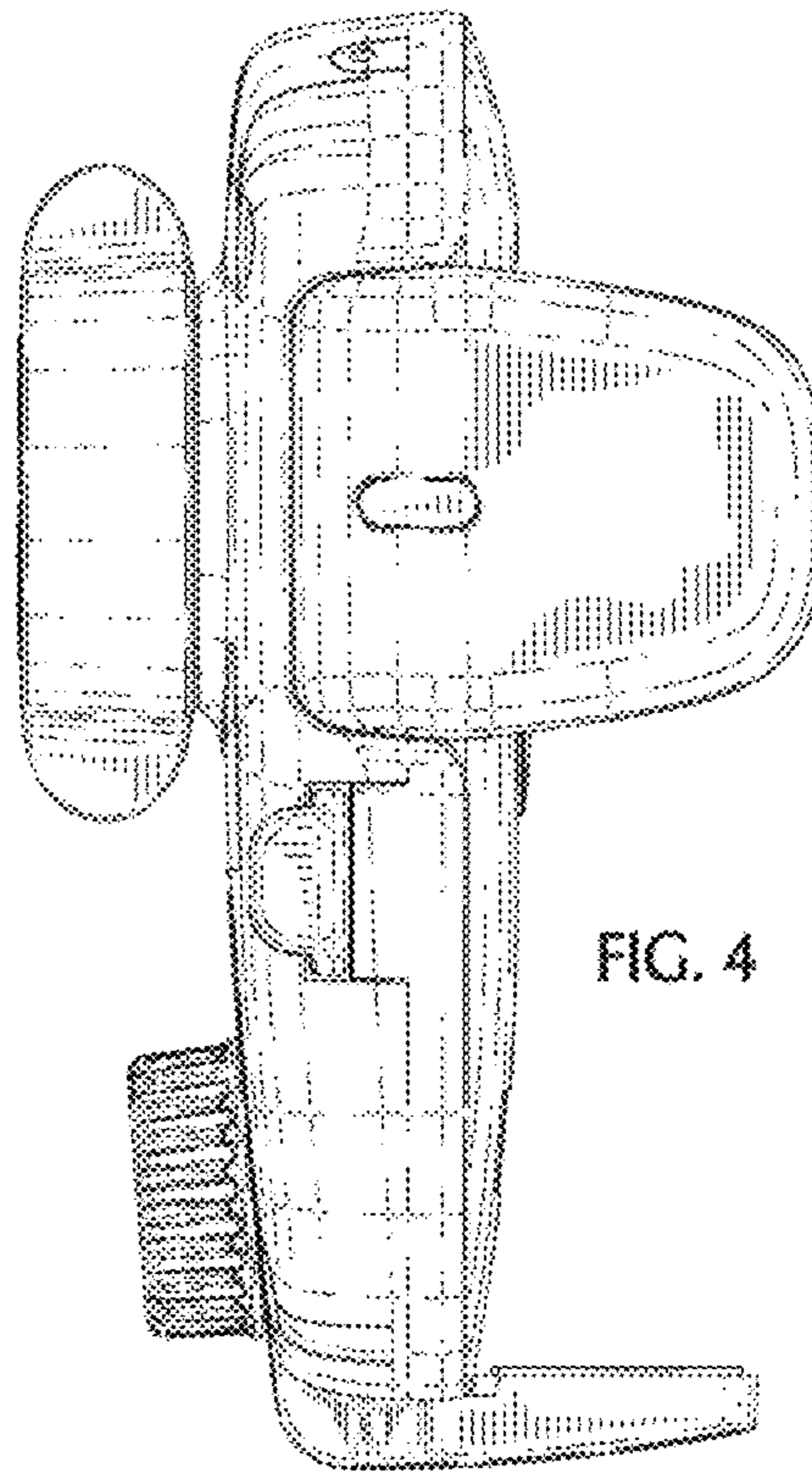
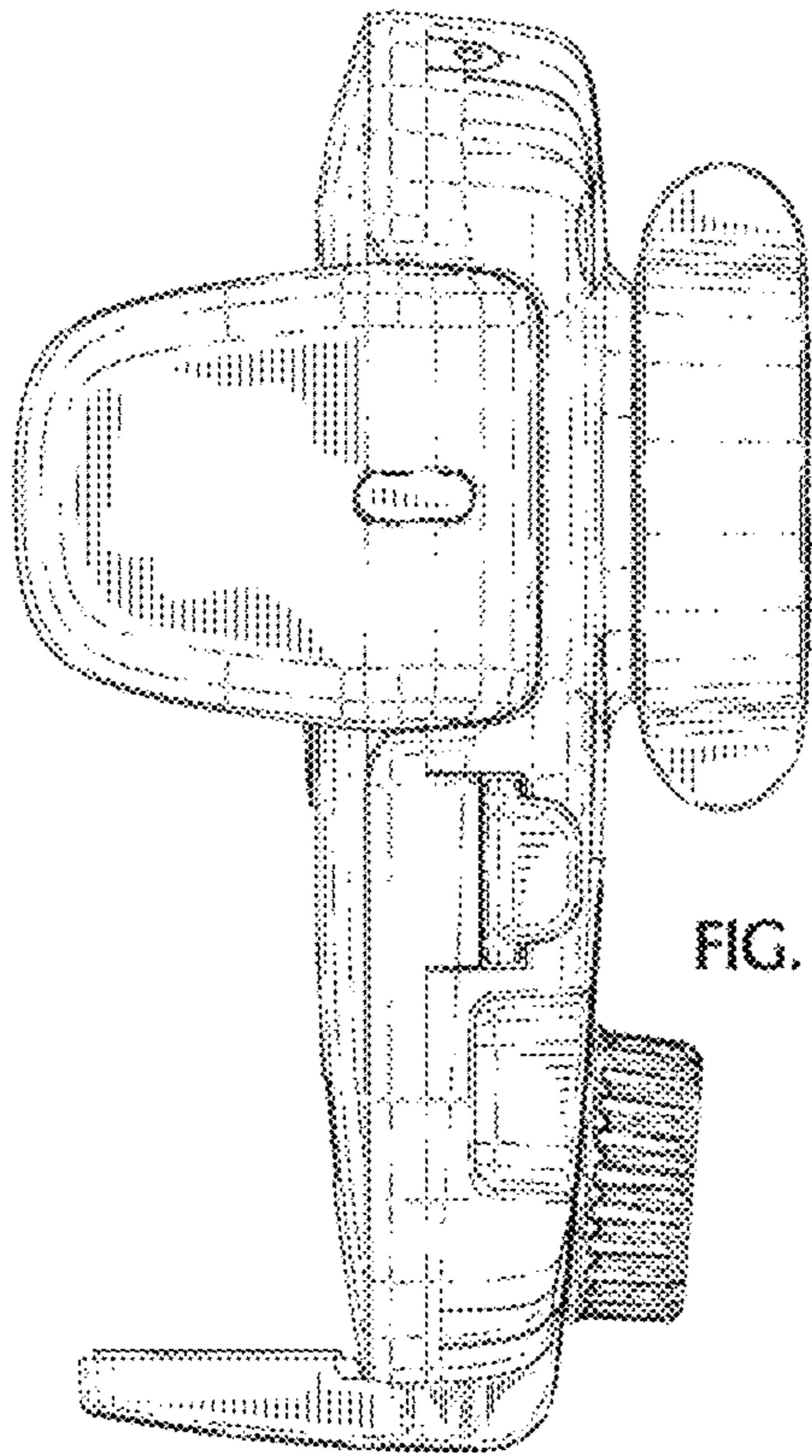


FIG. 2



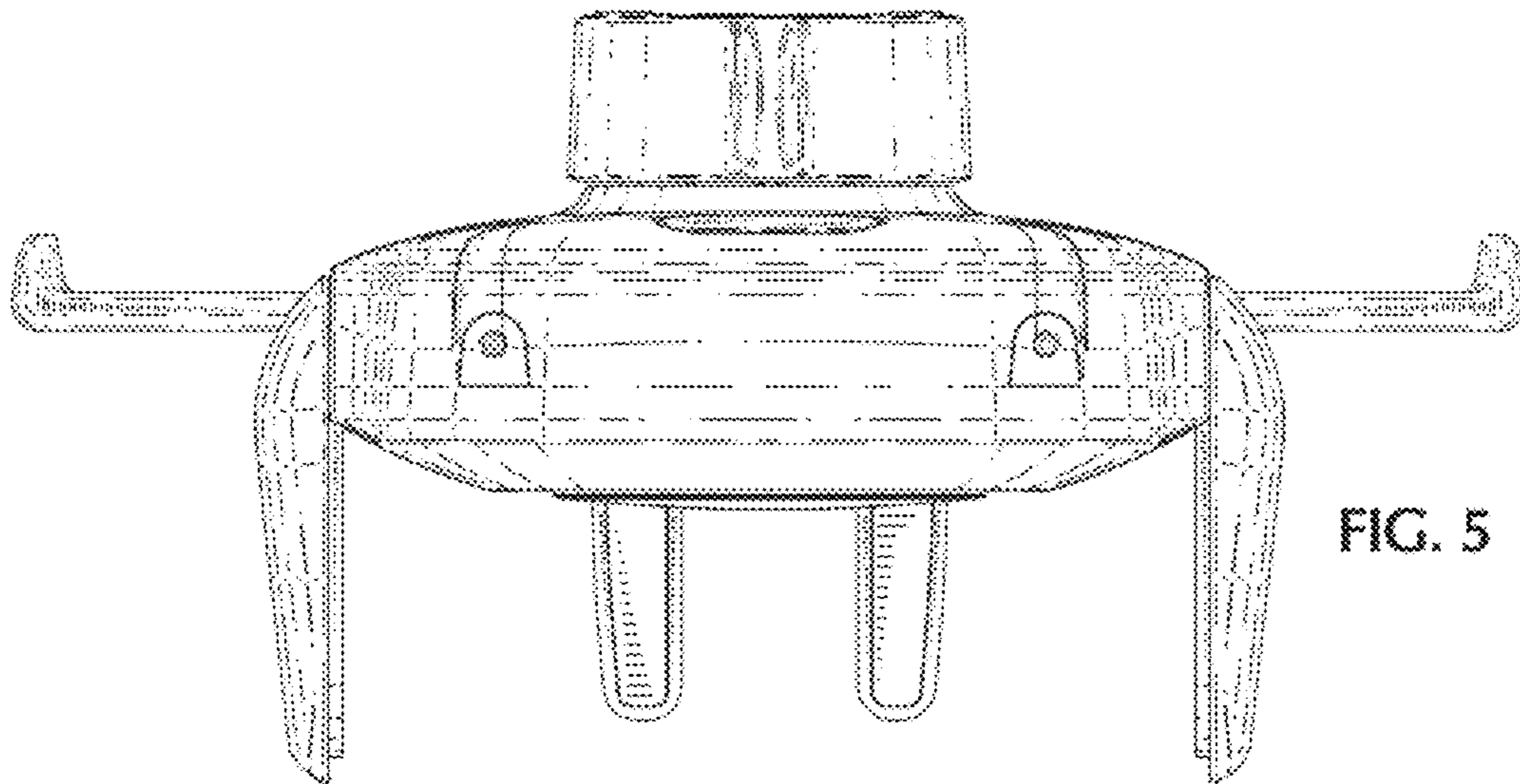


FIG. 5

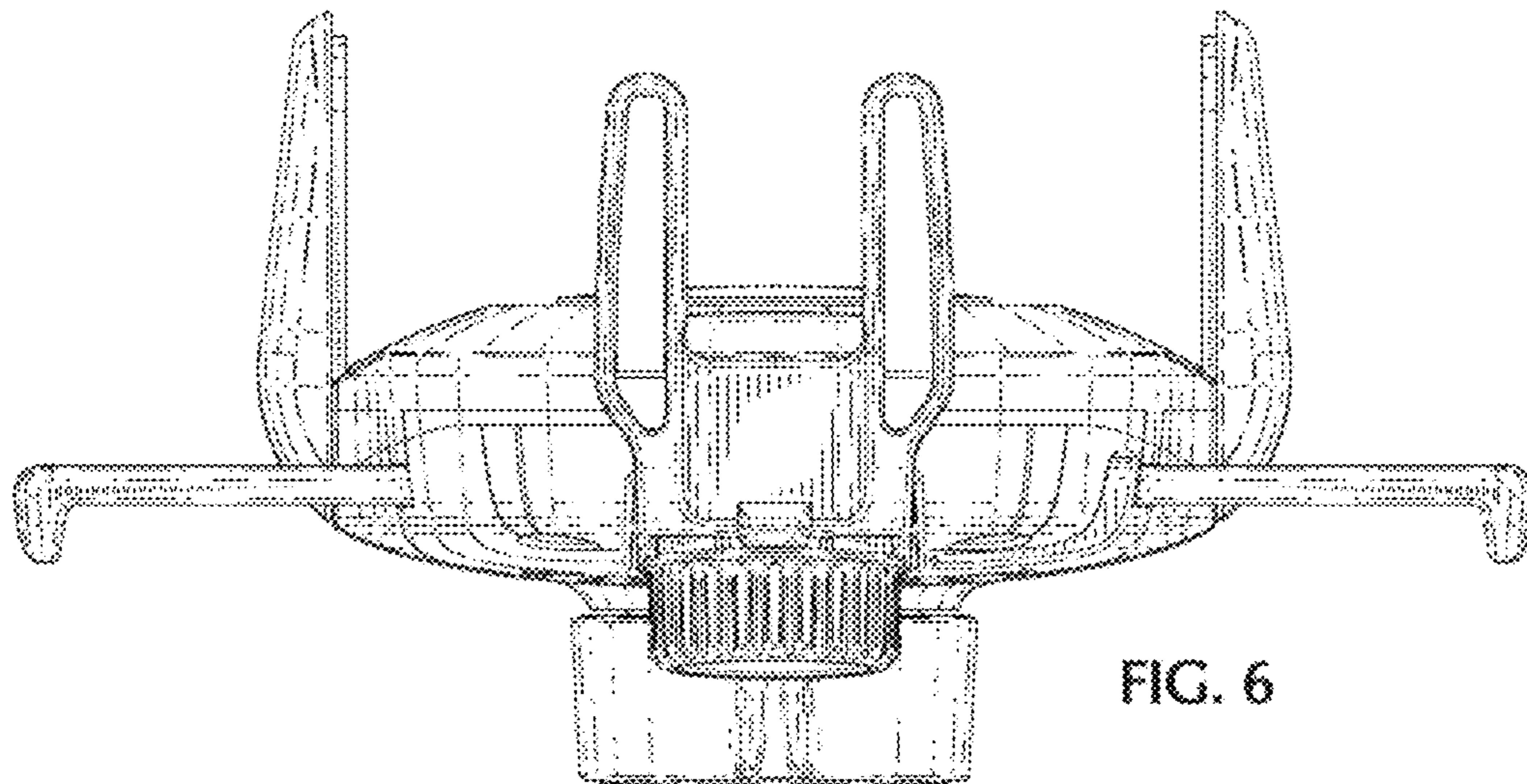


FIG. 6

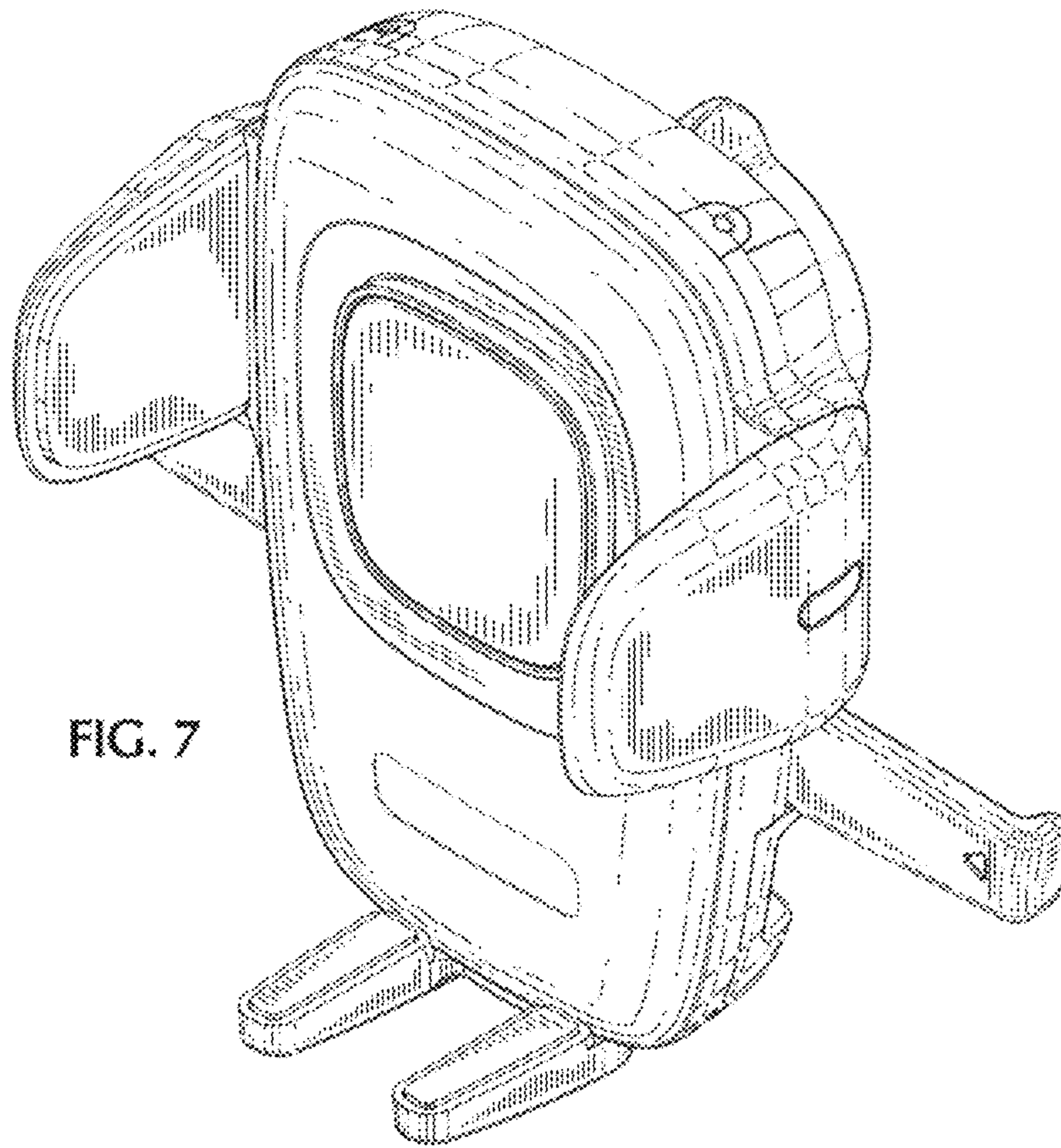


FIG. 7

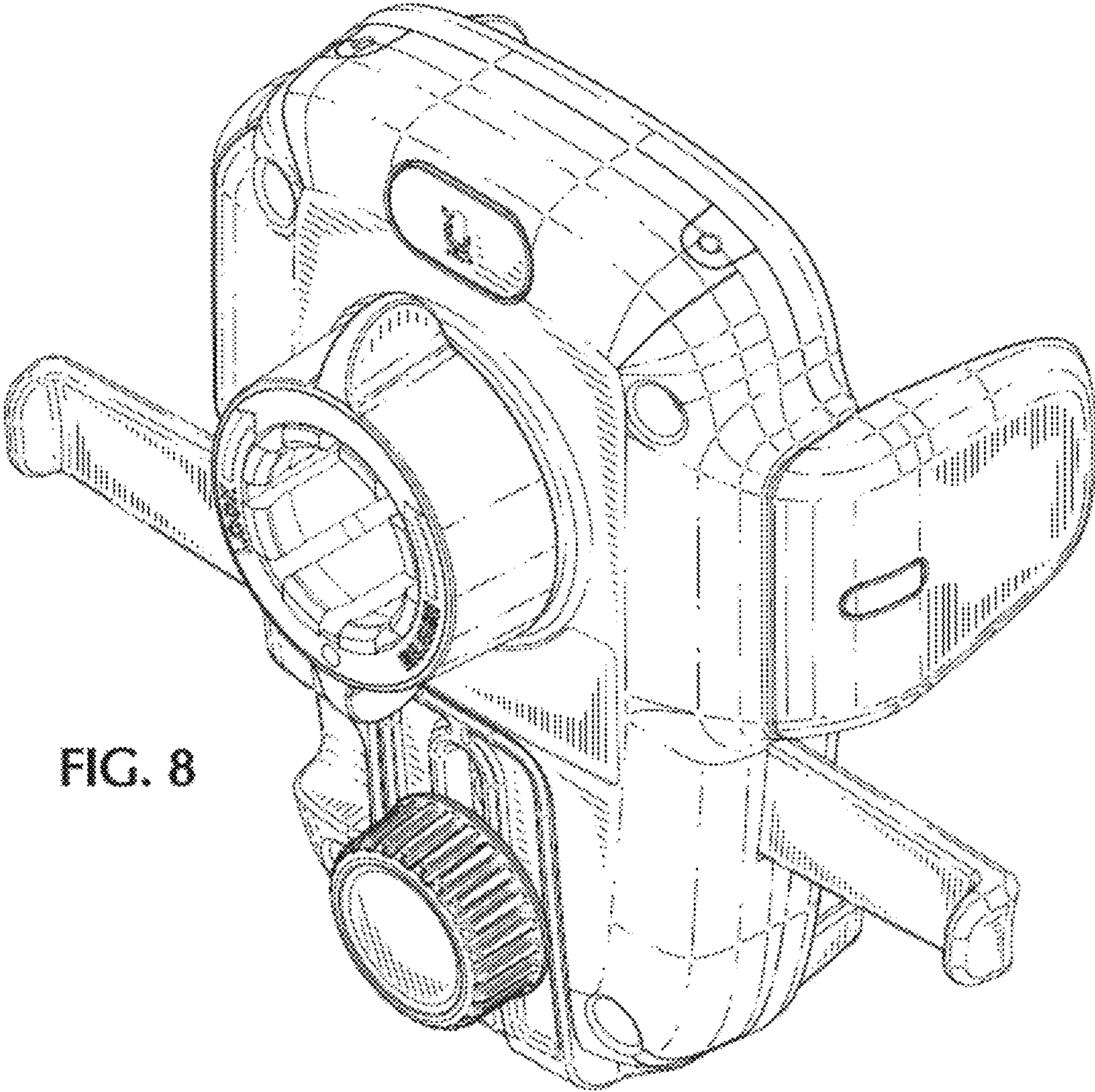


FIG. 8