



US00D881198S

(12) **United States Design Patent** (10) **Patent No.:** **US D881,198 S**  
**Nguyen** (45) **Date of Patent:** **\*\* Apr. 14, 2020**

(54) **COMPUTER FRAME**

(71) Applicant: **Damien L. Nguyen**, Garden Grove, CA (US)

(72) Inventor: **Damien L. Nguyen**, Garden Grove, CA (US)

(\*\*) Term: **15 Years**

(21) Appl. No.: **29/636,336**

(22) Filed: **Feb. 7, 2018**

(51) **LOC (12) Cl.** ..... **08-07**

(52) **U.S. Cl.**  
USPC ..... **D14/447**

(58) **Field of Classification Search**  
USPC ..... D14/447, 432, 434, 439, 440, 451, 452, D14/457, 239; D8/363, 373, 380; D6/406.3, 406.4, 406.5, 406.6, 691.1; D12/415; D21/330, 331  
CPC ..... A47B 21/04; A47B 2097/006; A47B 2097/005; A47B 2023/049; A45C 2011/002; A45C 2011/003; F16M 2200/00; F16M 13/00  
See application file for complete search history.

D703,217 S \* 4/2014 Green ..... D14/447  
D791,522 S \* 7/2017 Rafieha ..... D6/689  
D792,417 S \* 7/2017 Xiang ..... D14/447  
D857,015 S \* 8/2019 O'Driscoll ..... D14/371  
2015/0289652 A1\* 10/2015 Strahinic ..... A47B 21/0314  
211/85.8

\* cited by examiner

*Primary Examiner* — Angela J Lee  
(74) *Attorney, Agent, or Firm* — Cionca IP Law P.C.;  
Marin Cionca

(57) **CLAIM**

The ornamental design for a computer frame, as shown and described.

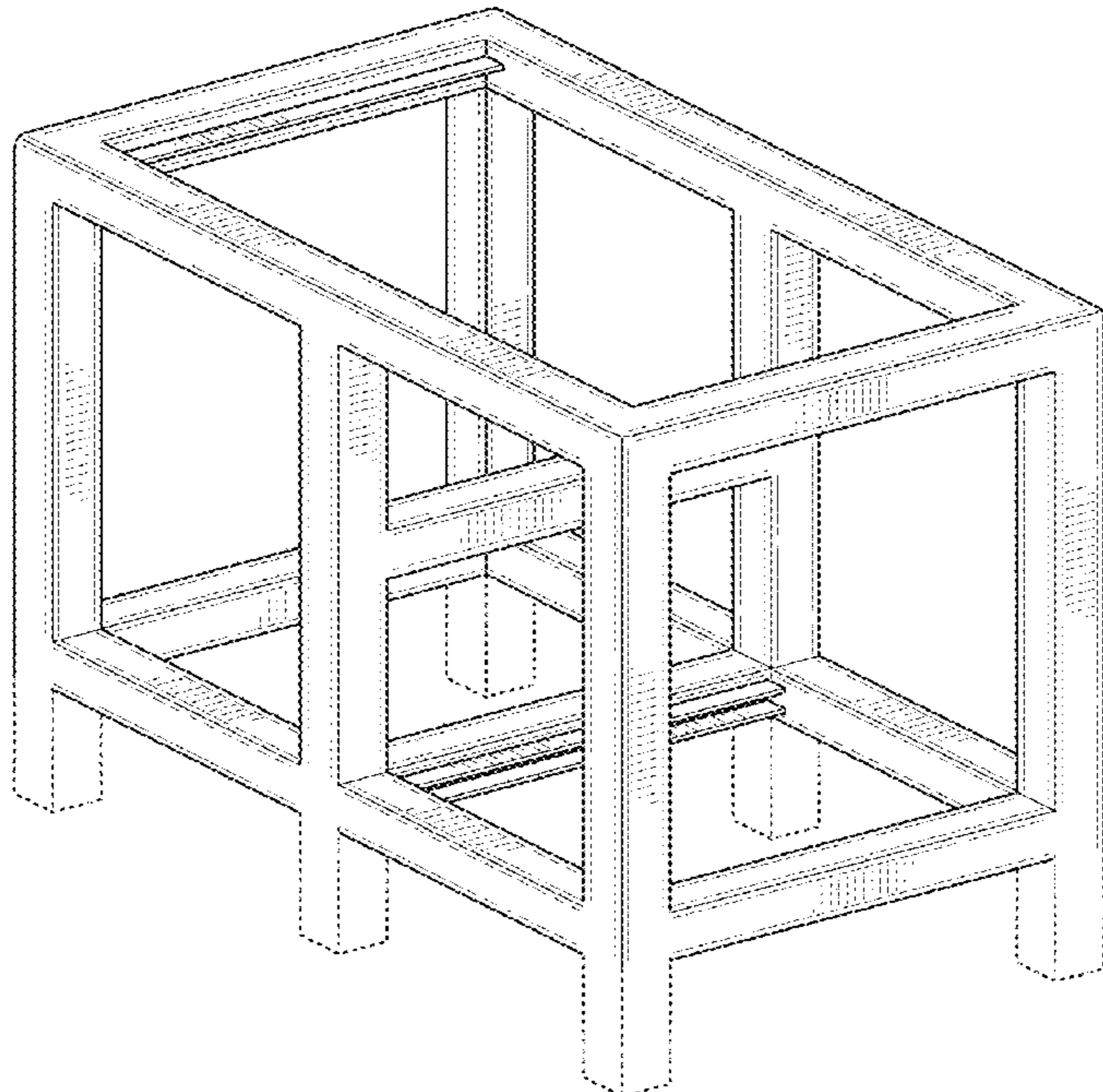
**DESCRIPTION**

FIG. 1 is a perspective view of a computer frame showing the new design;  
FIG. 2 is a left side elevation view thereof;  
FIG. 3 is a right side elevation view thereof;  
FIG. 4 is a front elevation view thereof;  
FIG. 5 is a rear elevation view thereof;  
FIG. 6 is a top plan view thereof;  
FIG. 7 is a bottom plan view thereof; and,  
FIG. 8 is a left side cross-sectional elevation view thereof, taken along line 8-8 of FIG. 6.  
The broken lines immediately adjacent the shaded surfaces represent the bounds of the claimed design. All other broken lines depict environmental subject matter that forms no part of the claimed design. The broken lines and unshaded surfaces bounded by broken lines form no part of the claimed design.

(56) **References Cited**  
U.S. PATENT DOCUMENTS

D248,914 S \* 8/1978 Ettress ..... D26/55  
D252,120 S \* 6/1979 O'Connor ..... D14/447  
D257,103 S \* 9/1980 McKeown, Jr. .... D14/447  
D330,135 S \* 10/1992 Furner ..... D14/447  
D370,802 S \* 6/1996 Lechleiter ..... D14/451  
D426,242 S \* 6/2000 Ghassemian ..... D14/447  
6,082,571 A \* 7/2000 Avery ..... B65D 25/54  
220/642  
D490,616 S \* 6/2004 Ljahnicky ..... D6/329

**1 Claim, 8 Drawing Sheets**



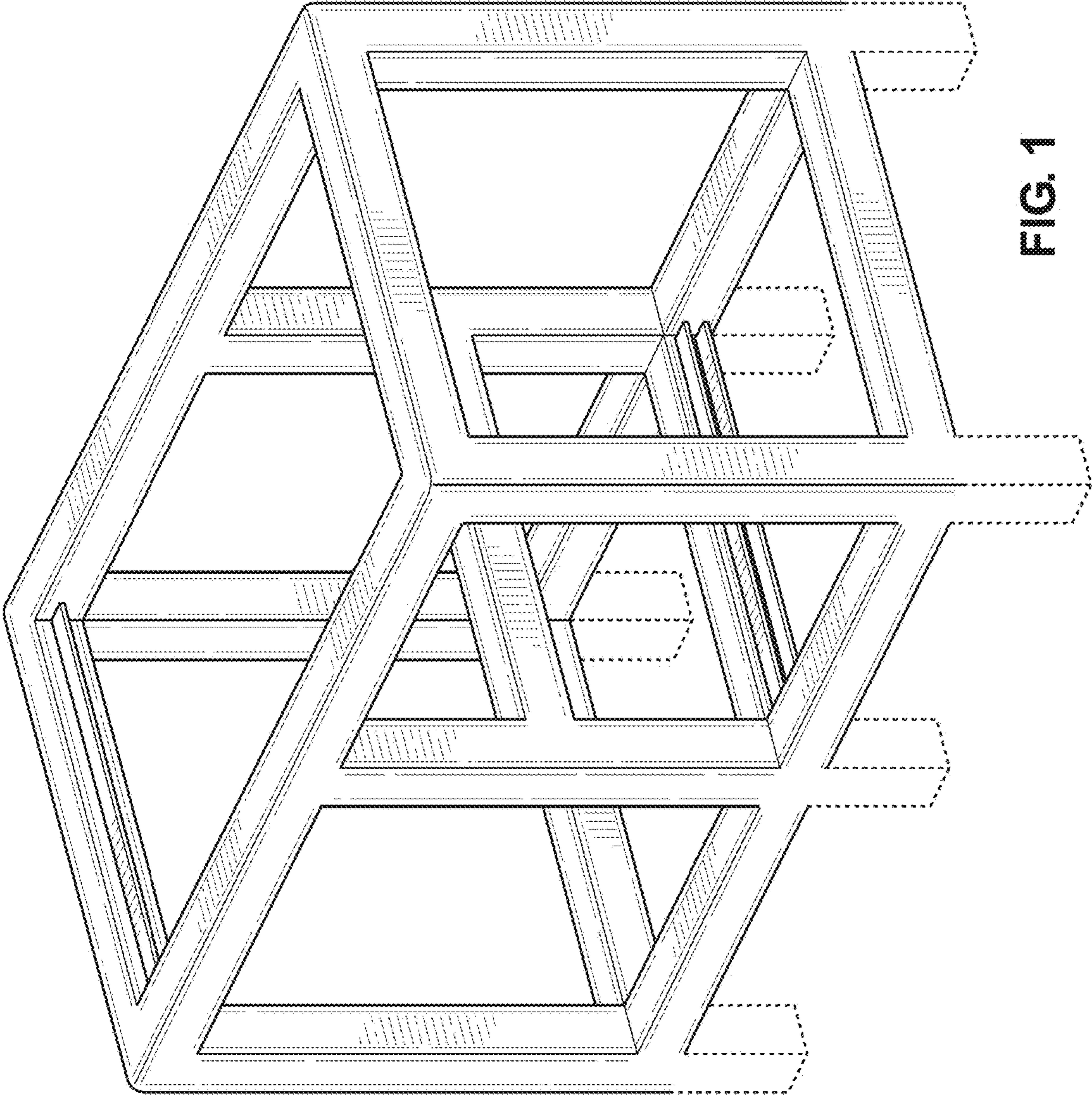


FIG. 1

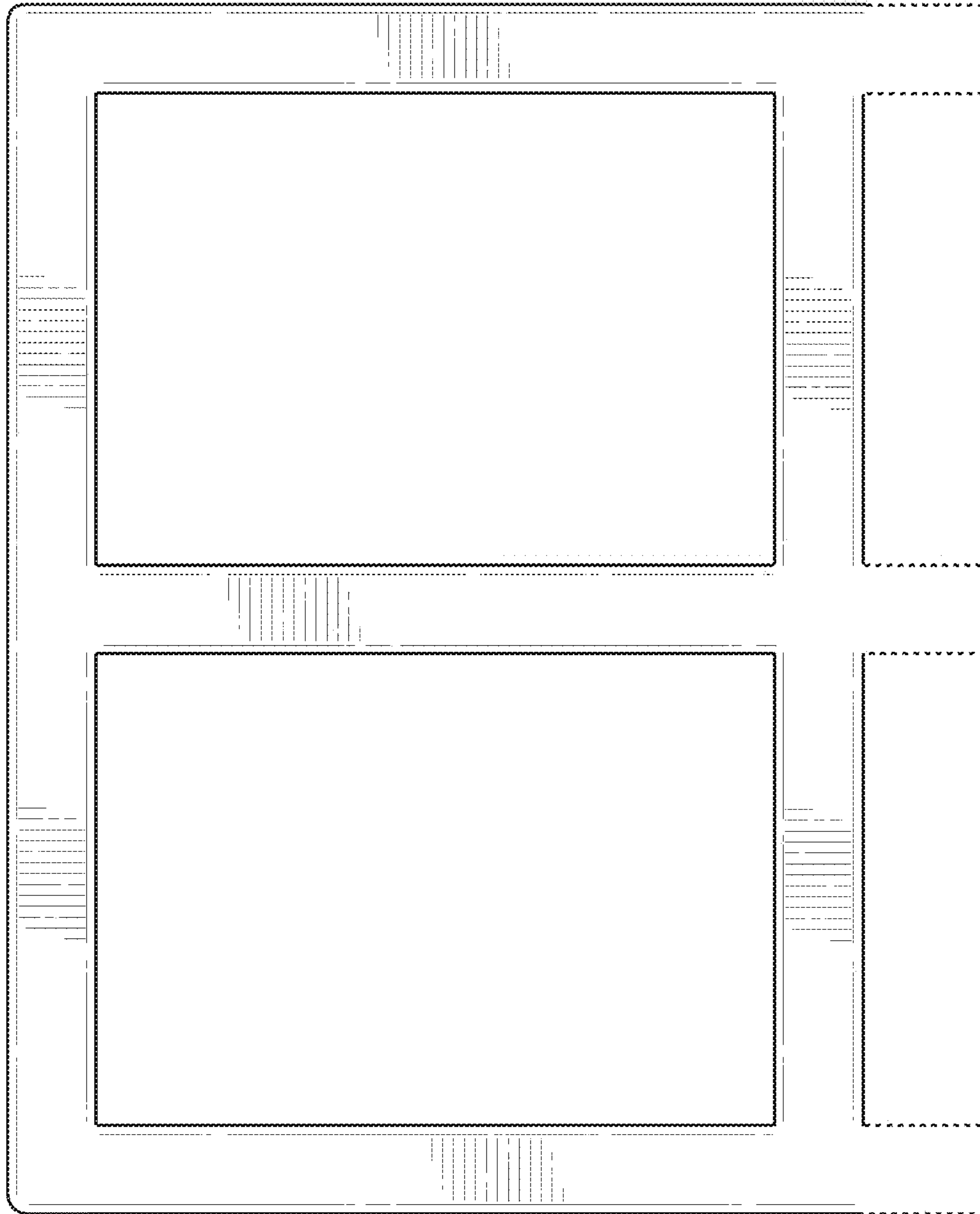


FIG. 2

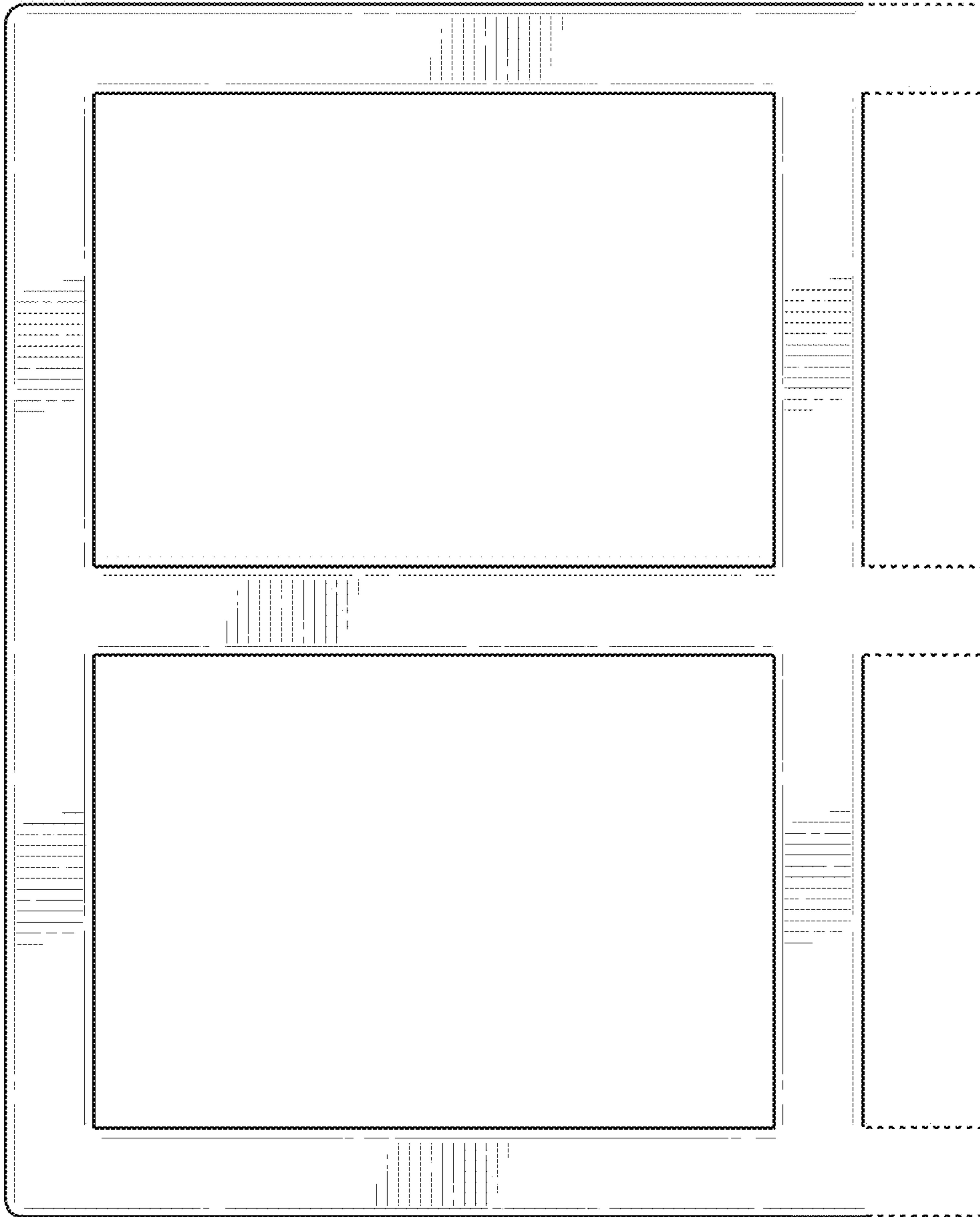


FIG. 3

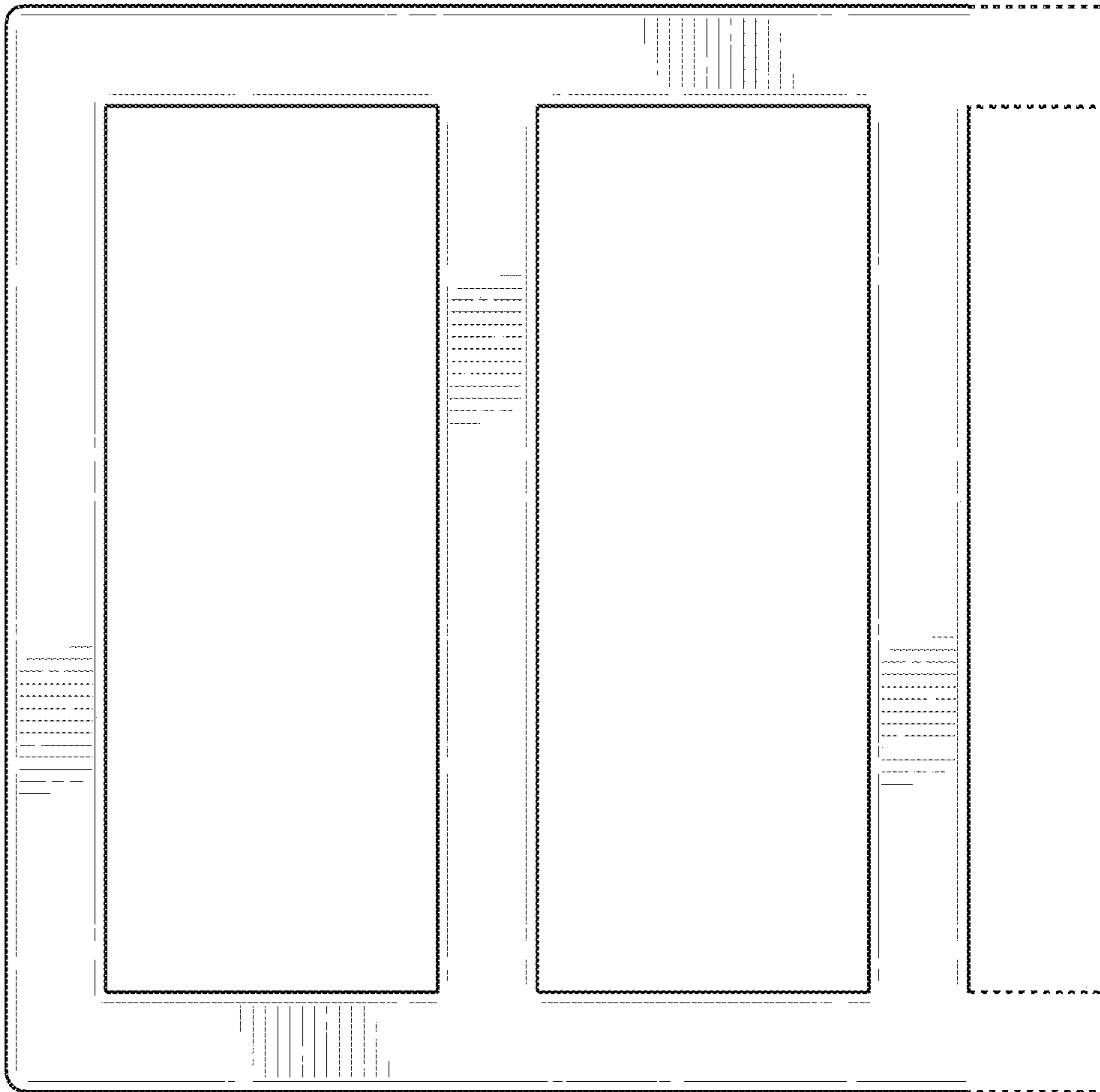


FIG. 4

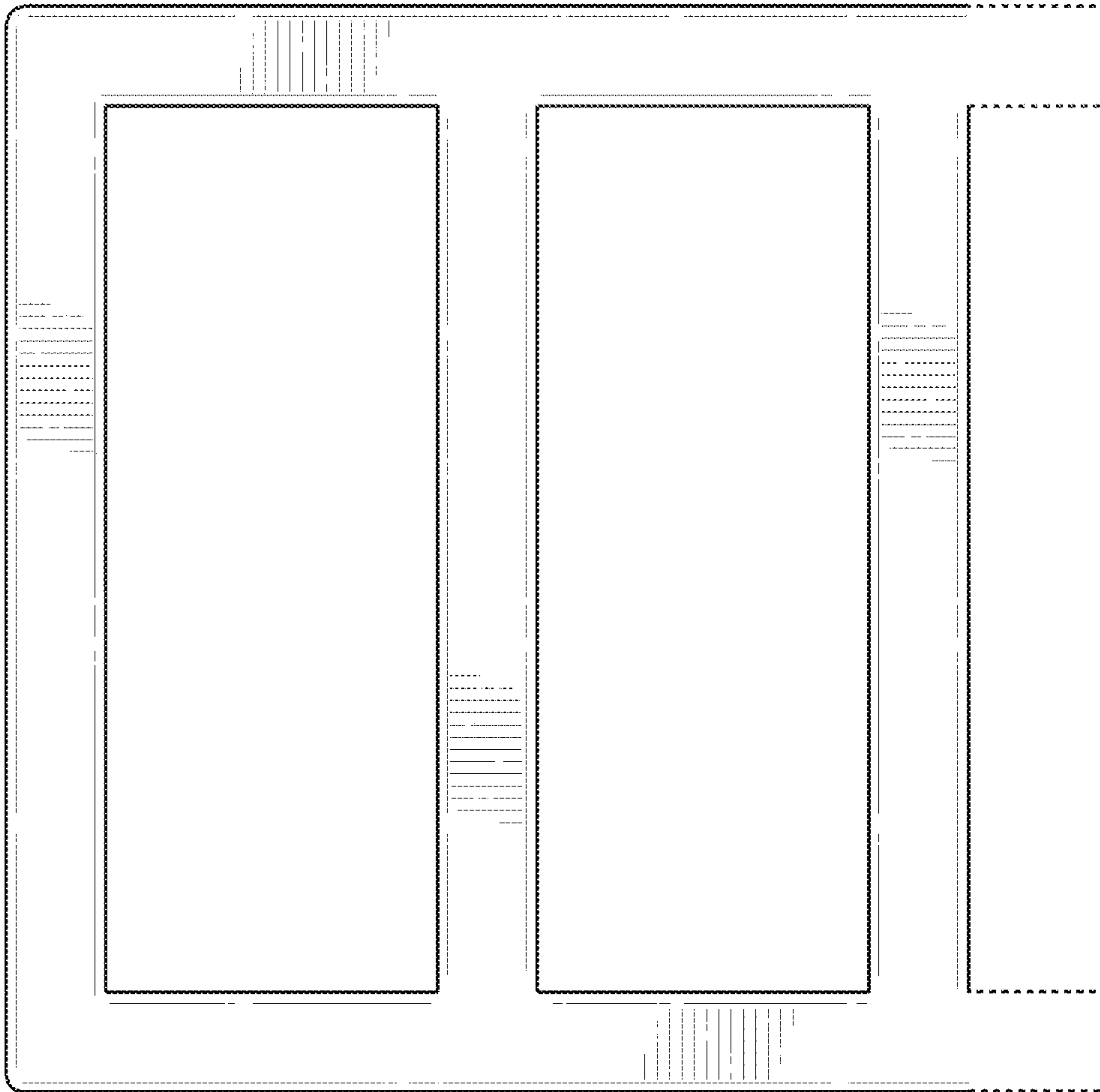


FIG. 5

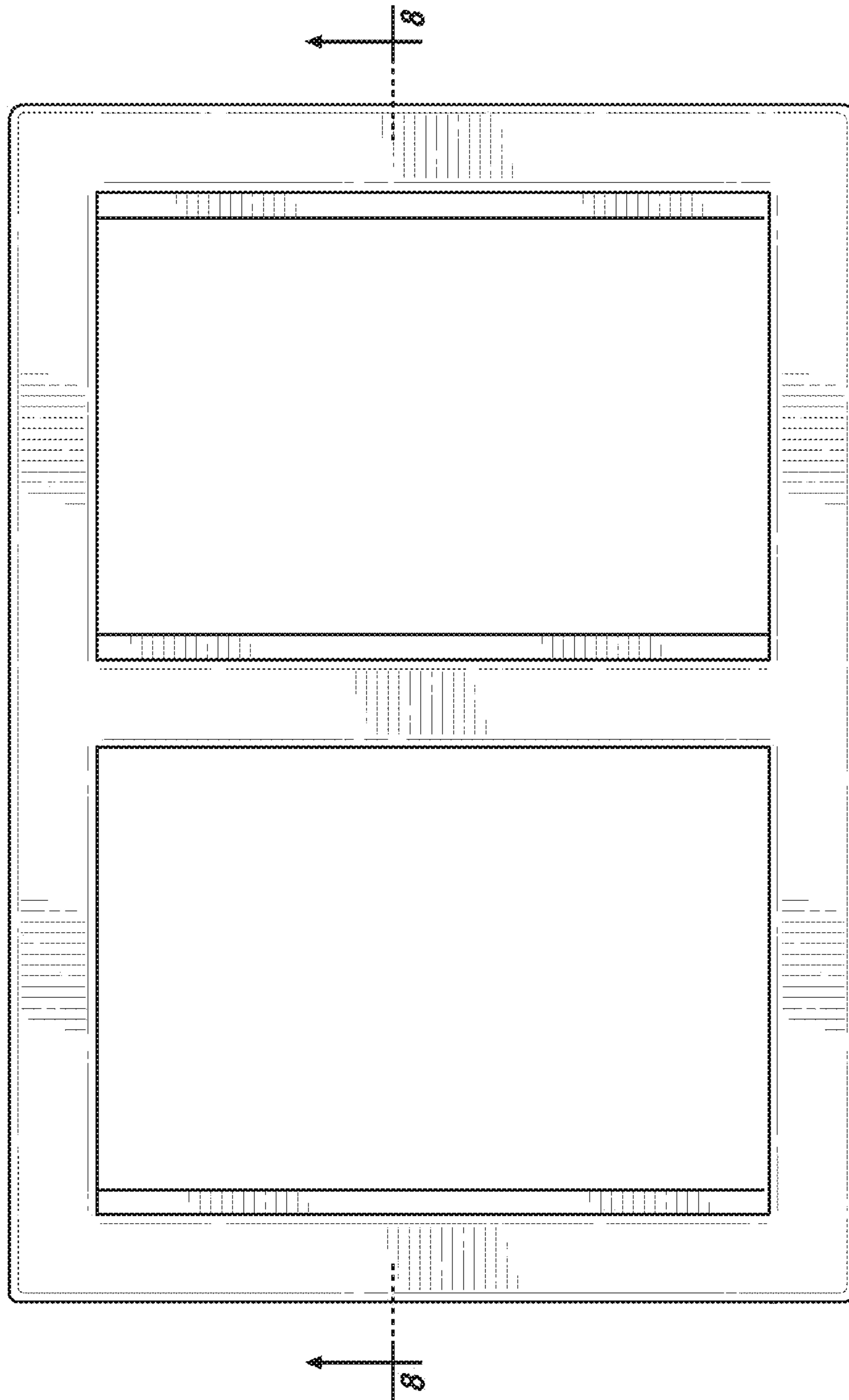


FIG. 6

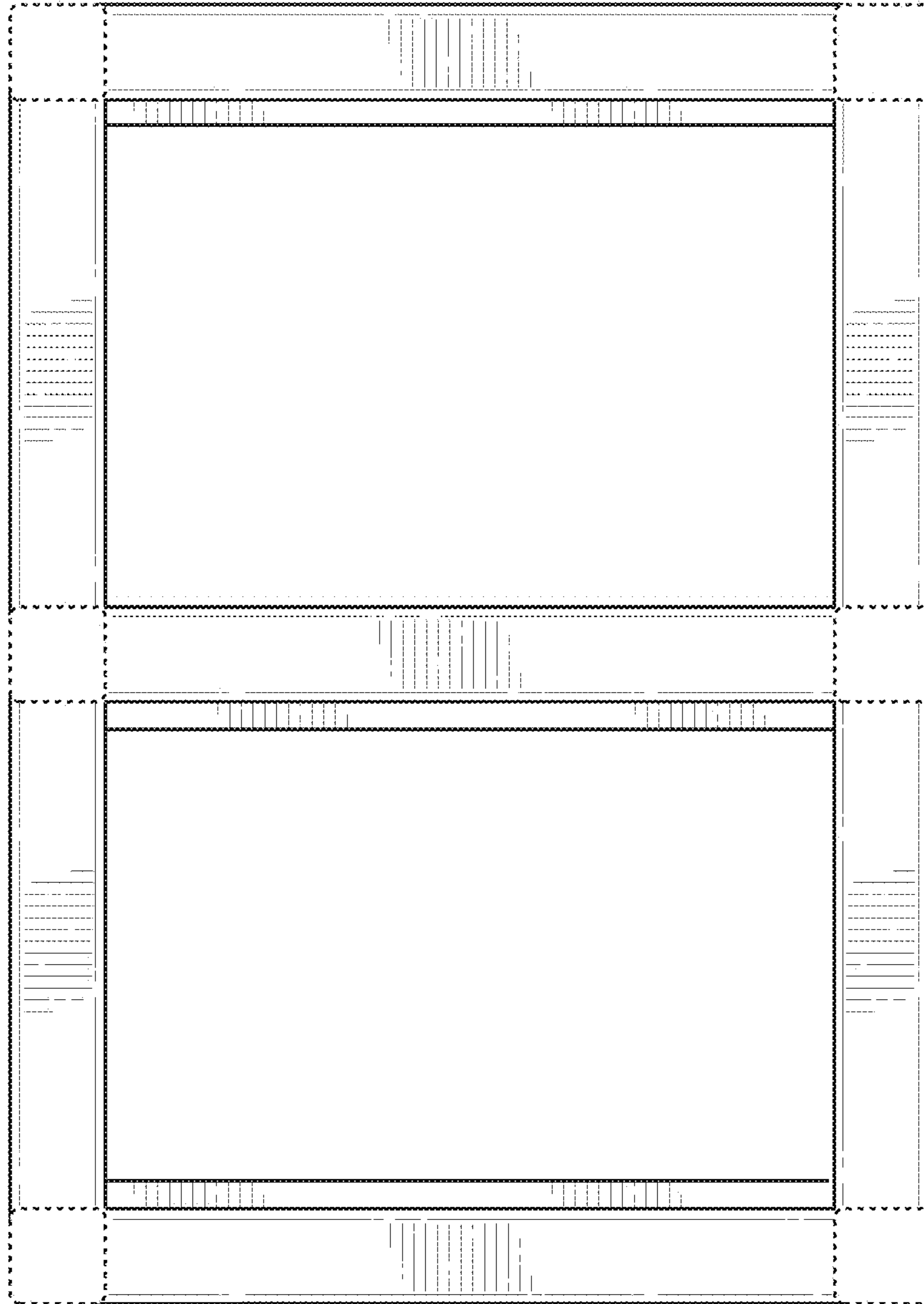


FIG. 7



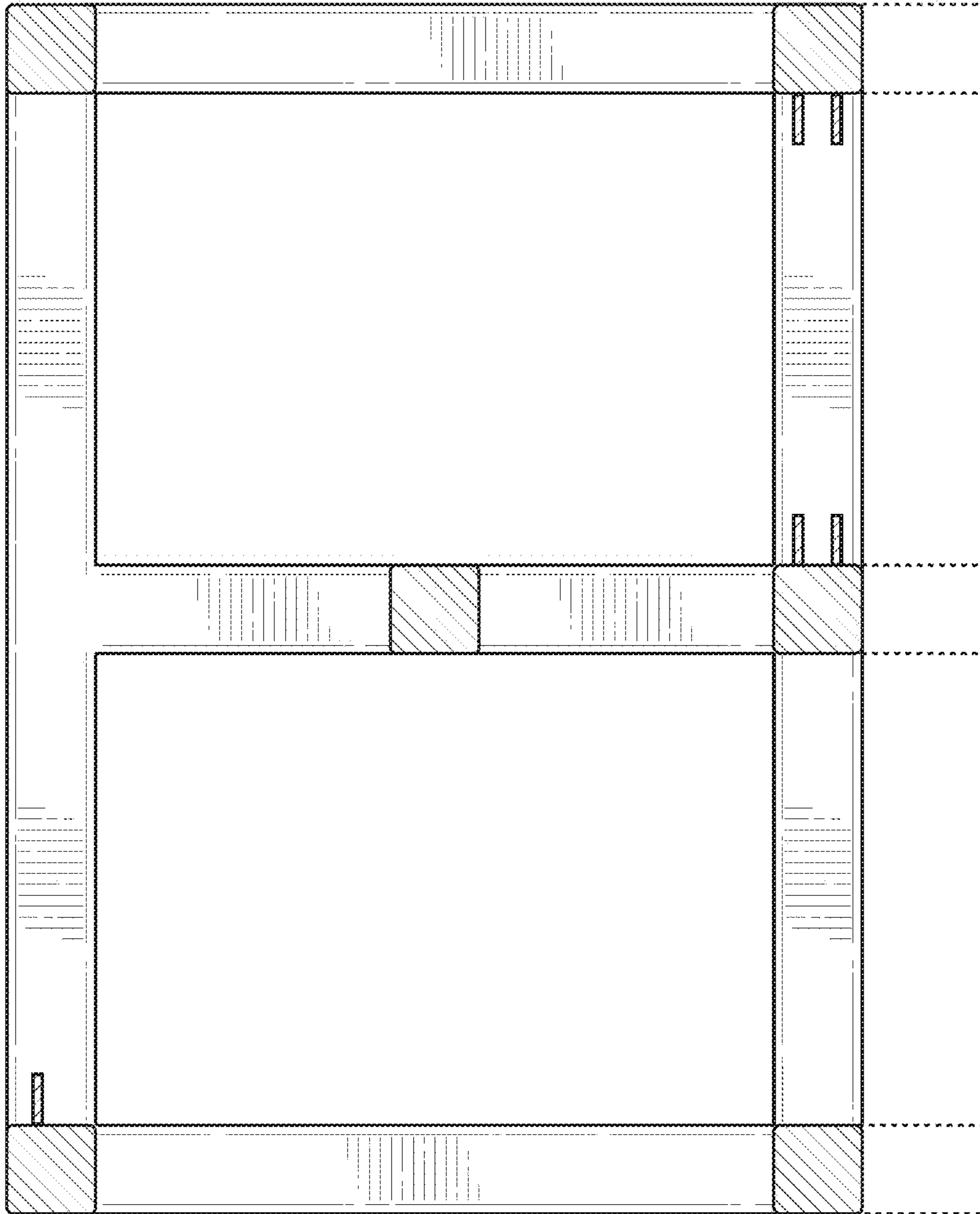


FIG.8