



US00D881195S

(12) **United States Design Patent** (10) **Patent No.:** **US D881,195 S**
Konovalov et al. (45) **Date of Patent:** **** Apr. 14, 2020**

(54) **STORAGE MEDIA CHASSIS**

CPC H01R 24/68; H01R 13/629; H01R 24/58;
G06F 1/1684

(71) Applicant: **YANDEX EUROPE AG**, Lucerne
(CH)

See application file for complete search history.

(72) Inventors: **Aleksandr Alekseevich Konovalov**,
Krasnogorsk (RU); **Pavel Gennadievich
Melnikov**, Moscow (RU); **Igor Urevich
Znamenskii**, Drozhzhino (RU); **Ivan
Vladimirovich Prostov**, Moscow (RU);
Andrey Olegovich Korolenko,
Moscow (RU); **Andrey Alekseevitch
Blokhin**, Moscow (RU)

(56) **References Cited**

U.S. PATENT DOCUMENTS

D391,938 S	3/1998	D'Agaro et al.	
D442,964 S *	5/2001	Ohtani	D14/436
D484,508 S	12/2003	Crippen et al.	
D556,204 S	11/2007	Tosh et al.	
D694,755 S *	12/2013	Akana	D14/341
D747,319 S	1/2016	Lee	

(Continued)

(73) Assignee: **YANDEX EUROPE AG**, Lucerne
(CH)

FOREIGN PATENT DOCUMENTS

(**) Term: **15 Years**

CN	201622520 U	11/2010
CN	201757871 U	3/2011

(Continued)

(21) Appl. No.: **29/708,359**

(22) Filed: **Oct. 4, 2019**

OTHER PUBLICATIONS

Related U.S. Application Data

(62) Division of application No. 29/614,911, filed on Aug.
24, 2017, now Pat. No. Des. 866,562.

Notice of Allowance and Search Report (and translation of the
Search Report into English) with regard to the counterpart TW
Design Application No. 106305265; date of completion: Oct. 22,
2018; date of receipt: Feb. 20, 2019.

(Continued)

(30) **Foreign Application Priority Data**

Mar. 31, 2017 (RU) 2017501478

(51) **LOC (12) Cl.** **14-02**

(52) **U.S. Cl.**

USPC **D14/439**

(58) **Field of Classification Search**

USPC D14/341-347, 424, 425, 432-453, 464,
D14/468, 469, 471, 496, 511, 138 AA,
D14/138 AD, 138 C, 138 G, 203.1-203.8,
D14/217, 238.1, 248, 250, 257, 299;
361/679.01, 679.02, 679.03, 679.3,
361/679.55, 679.56; 455/550.1, 556.1,
455/556.2, 575.1, 575.3-575.5, 575.8,
455/90.3; D9/456, 457, 434; D6/300,
D6/314, 310; D10/65

Primary Examiner — Austin Murphy

(74) *Attorney, Agent, or Firm* — BCF LLP

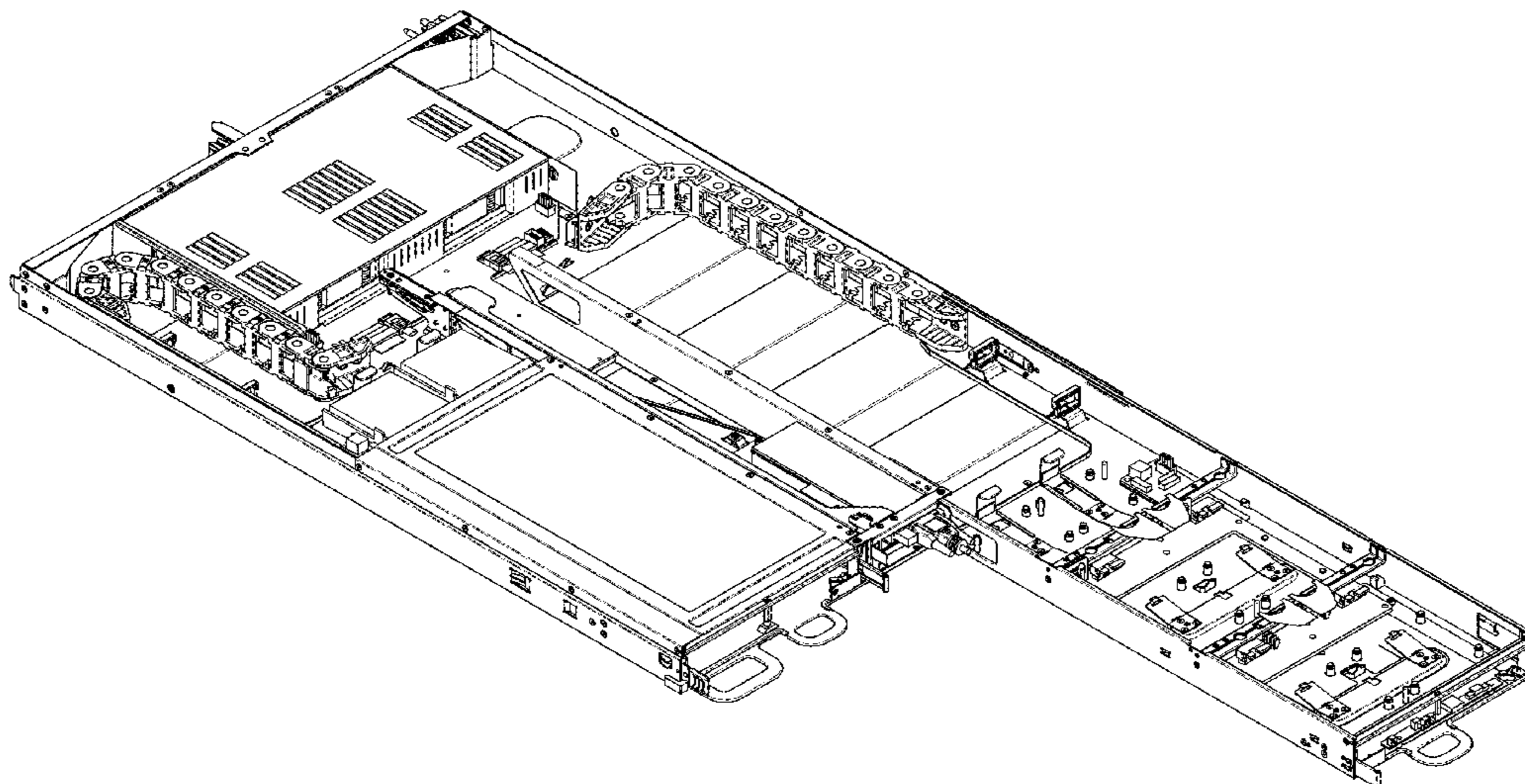
(57) **CLAIM**

The ornamental design for a storage media chassis, as shown
and described.

DESCRIPTION

The FIGURE depicts a front right perspective view of the
storage media chassis according to an embodiment.

1 Claim, 1 Drawing Sheet



(56)

References Cited

U.S. PATENT DOCUMENTS

D747,723 S 1/2016 Kim et al.
 D767,572 S * 9/2016 Akana D14/439
 D773,469 S * 12/2016 Ellis, II D14/432
 D791,086 S 7/2017 Balschat et al.
 D826,235 S * 8/2018 Akana D14/439
 10,091,905 B1 * 10/2018 Kononov G11B 33/144
 D866,562 S * 11/2019 Kononov D14/439
 2007/0175836 A1 8/2007 Bumeder et al.
 2013/0039004 A1 2/2013 Li
 2013/0043355 A1 2/2013 Liang et al.
 2013/0058028 A1 3/2013 Lu et al.
 2013/0100630 A1 4/2013 Liang
 2016/0219748 A1 7/2016 Tsai et al.

FOREIGN PATENT DOCUMENTS

CN 102866744 A 1/2013
 CN 102981578 A 3/2013
 CN 204288088 U 4/2015
 DE 202007012718 U1 11/2007
 DE 102013108217 B3 10/2014
 EP 2252136 A2 11/2010

JP D1481564 S 10/2013
 JP D1481566 S 10/2013
 RU 73991 S 2/2010

OTHER PUBLICATIONS

English Abstract for JPD1481564 received from TW associates on Mar. 21, 2019.
 English Abstract for D1481566 received from TW associates on Mar. 21, 2019.
 English Description, Claims, Drawings of DE202007012718 retrieved on Espacenet on Oct. 25, 2017.
 English Abstract of CN102981578 retrieved on Espacenet on Oct. 25, 2017.
 English Abstract of CN102866744 retrieved on Espacenet on Oct. 25, 2017.
 English Abstract of CN201757871 retrieved on Espacenet on Oct. 25, 2017.
 English Abstract of CN201622520 retrieved on Espacenet on Oct. 25, 2017.
 English Abstract of DE102013108217 retrieved on Espacenet on Aug. 3, 2017.
 English Abstract of CN204288088 retrieved on Espacenet on Aug. 3, 2017.
 English Translation for RU 73991—machine translation.

* cited by examiner

