



US00D881194S

(12) **United States Design Patent** (10) **Patent No.:** **US D881,194 S**
Konovalov et al. (45) **Date of Patent:** **** Apr. 14, 2020**

(54) **STORAGE MEDIA CHASSIS** CPC H01R 24/68; H01R 13/629; H01R 24/58; G06F 1/1688; G06F 1/1684; H05K 7/00; H05K 7/02

(71) Applicant: **YANDEX EUROPE AG**, Lucerne (CH)

See application file for complete search history.

(72) Inventors: **Aleksandr Alekseevich Konovalov**, Krasnogorsk (RU); **Pavel Gennadievich Melnikov**, Moscow (RU); **Igor Urevich Znamenskii**, Drozhzhino (RU); **Ivan Vladimirovich Prostov**, Moscow (RU); **Andrey Olegovich Korolenko**, Moscow (RU); **Andrey Alekseevitch Blokhin**, Moscow (RU)

(56) **References Cited**

U.S. PATENT DOCUMENTS

D391,938 S 3/1998 D'Agaro et al.
D442,964 S * 5/2001 Ohtani D14/436
D484,508 S 12/2003 Crippen et al.
D556,204 S 11/2007 Tosh et al.
D694,755 S * 12/2013 Akana D14/341

(Continued)

(73) Assignee: **YANDEX EUROPE AG**, Lucerne (CH)

FOREIGN PATENT DOCUMENTS

CN 201622520 U 11/2010
CN 201757871 U 3/2011

(Continued)

(**) Term: **15 Years**

(21) Appl. No.: **29/708,356**

(22) Filed: **Oct. 4, 2019**

OTHER PUBLICATIONS

Related U.S. Application Data

Notice of Allowance and Search Report (and translation of the Search Report into English) with regard to the counterpart TW Design Application No. 106305265; date of completion: Oct. 22, 2018; date of receipt: Feb. 20, 2019.

(Continued)

(62) Division of application No. 29/614,911, filed on Aug. 24, 2017, now Pat. No. Des. 866,562.

(30) **Foreign Application Priority Data**

Mar. 31, 2017 (RU) 2017501478

Primary Examiner — Austin Murphy

(51) **LOC (12) Cl.** **14-02**

(74) *Attorney, Agent, or Firm* — BCF LLP

(52) **U.S. Cl.**
USPC **D14/439**

(57) **CLAIM**

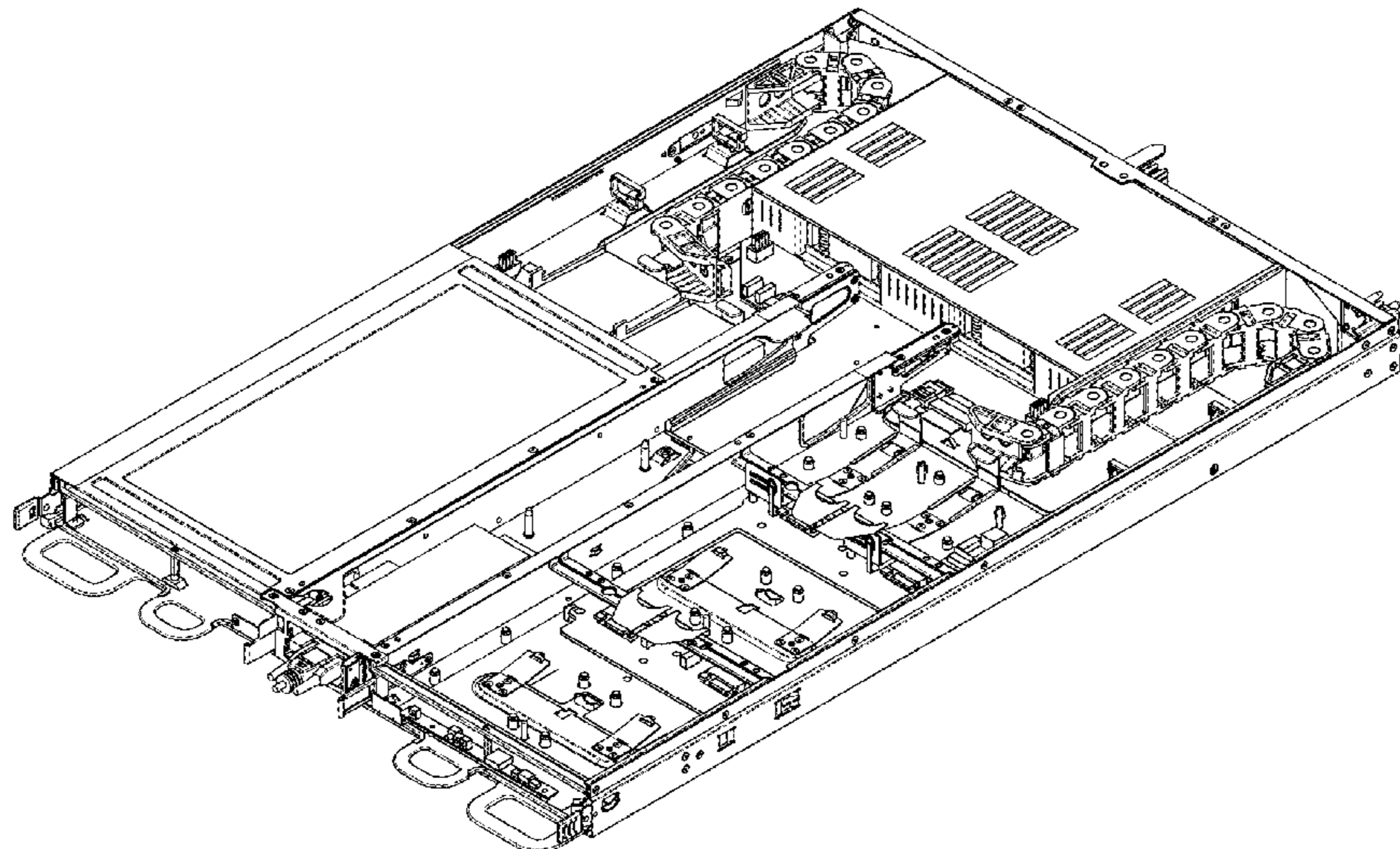
(58) **Field of Classification Search**
USPC D14/341–347, 424, 425, 432–453, 464, D14/468, 469, 471, 496, 511, 138 AA, D14/138 AD, 138 C, 138 G, 203.1–203.8, D14/217, 238.1, 248, 250, 257, 299; 361/679.01, 679.02, 679.03, 679.3, 361/679.55, 679.56; 455/550.1, 556.1, 455/556.2, 575.1, 575.3–575.5, 575.8, 455/90.3; D9/456, 457, 434; D6/300, D6/314, 310; D10/65

The ornamental design for a storage media chassis, as shown and described.

DESCRIPTION

The FIGURE depicts a front left perspective view of the storage media chassis according to an embodiment.

1 Claim, 1 Drawing Sheet



(56)

References Cited

U.S. PATENT DOCUMENTS

D747,319	S	1/2016	Lee	
D747,723	S	1/2016	Kim et al.	
D767,572	S *	9/2016	Akana	D14/439
D773,469	S *	12/2016	Ellis, II	D14/432
D791,086	S	7/2017	Balschat et al.	
D826,235	S *	8/2018	Akana	D14/439
10,091,905	B1 *	10/2018	Konovalov	G11B 33/144
D866,562	S *	11/2019	Konovalov	D14/439
2007/0175836	A1	8/2007	Bumeder et al.	
2013/0039004	A1	2/2013	Li	
2013/0043355	A1	2/2013	Liang et al.	
2013/0058028	A1	3/2013	Lu et al.	
2013/0100630	A1	4/2013	Liang	
2016/0219748	A1	7/2016	Tsai et al.	

FOREIGN PATENT DOCUMENTS

CN	102866744	A	1/2013
CN	102981578	A	3/2013
CN	204288088	U	4/2015
DE	202007012718	U1	11/2007
DE	102013108217	B3	10/2014
EP	2252136	A2	11/2010

JP	D1481564	S	10/2013
JP	D1481566	S	10/2013
RU	73991	S	2/2010

OTHER PUBLICATIONS

English Abstract for JPD1481564 received from TW associates on Mar. 21, 2019.

English Abstract for D1481566 received from TW associates on Mar. 21, 2019.

English Description, Claims, Drawings of DE202007012718 retrieved on Espacenet on Oct. 25, 2017.

English Abstract of CN102981578 retrieved on Espacenet on Oct. 25, 2017.

English Abstract of CN102866744 retrieved on Espacenet on Oct. 25, 2017.

English Abstract of CN201757871 retrieved on Espacenet on Oct. 25, 2017.

English Abstract of CN201622520 retrieved on Espacenet on Oct. 25, 2017.

English Abstract of DE102013108217 retrieved on Espacenet on Aug. 3, 2017.

English Abstract of CN204288088 retrieved on Espacenet on Aug. 3, 2017.

English Translation for RU 73991—machine translation.

* cited by examiner

