



US00D881192S

(12) **United States Design Patent** (10) **Patent No.:** **US D881,192 S**
Ma (45) **Date of Patent:** **** Apr. 14, 2020**

(54) **USB MODULAR MULTI FUNCTION ADAPTER**

(71) Applicant: **Xiaopei Ma**, Guangdong (CN)

(72) Inventor: **Xiaopei Ma**, Guangdong (CN)

(73) Assignee: **Shenzhen MeiJieSi Science and Technology Co., Ltd.**, Shenzhen, Guangdong (CN)

(**) Term: **15 Years**

(21) Appl. No.: **29/642,512**

(22) Filed: **Mar. 29, 2018**

(30) **Foreign Application Priority Data**

Mar. 23, 2018 (CN) 2018 3 0109432

(51) **LOC (12) Cl.** **14-02**

(52) **U.S. Cl.**
USPC **D14/433**

(58) **Field of Classification Search**
USPC D14/240, 242, 356, 358, 363, 365, 367, D14/370, 432-437, 439, 498, 125, 366, D14/168, 496; D13/147, 164, 123, 133, D13/146, 110, 199, 103, 162, 159, 160, D13/184; 361/683, 684, 686, 724, 735, 361/737, 752; D18/40
CPC H01R 25/006; H01R 27/02; H01R 31/005; G06F 13/4022; G06F 13/382; G06F 1/1632; G06F 1/1684; G06F 1/20; G06F 1/1607

See application file for complete search history.

(56) **References Cited**

U.S. PATENT DOCUMENTS

D689,858	S	*	9/2013	Lo	D14/357
D750,083	S	*	2/2016	Chow	D14/434
D800,730	S	*	10/2017	Liao	D14/433
D807,290	S	*	1/2018	Liao	D13/110
D813,875	S	*	3/2018	Liao	D14/434
D828,355	S	*	9/2018	Xie	D14/433
D828,839	S	*	9/2018	Zhang	D14/433
D828,841	S	*	9/2018	Zhang	D14/433
D830,366	S	*	10/2018	Turksu	D14/433
D838,241	S	*	1/2019	Xie	D13/108
D839,876	S	*	2/2019	Turksu	D14/435.1
D847,139	S	*	4/2019	Wang	D14/433
D854,019	S	*	7/2019	Liao	D14/434
D854,020	S	*	7/2019	Liao	D14/434
D854,544	S	*	7/2019	Liao	D14/434
D855,054	S	*	7/2019	Turksu	D14/433
D855,616	S	*	8/2019	Chin	D14/433

* cited by examiner

Primary Examiner — Austin Murphy

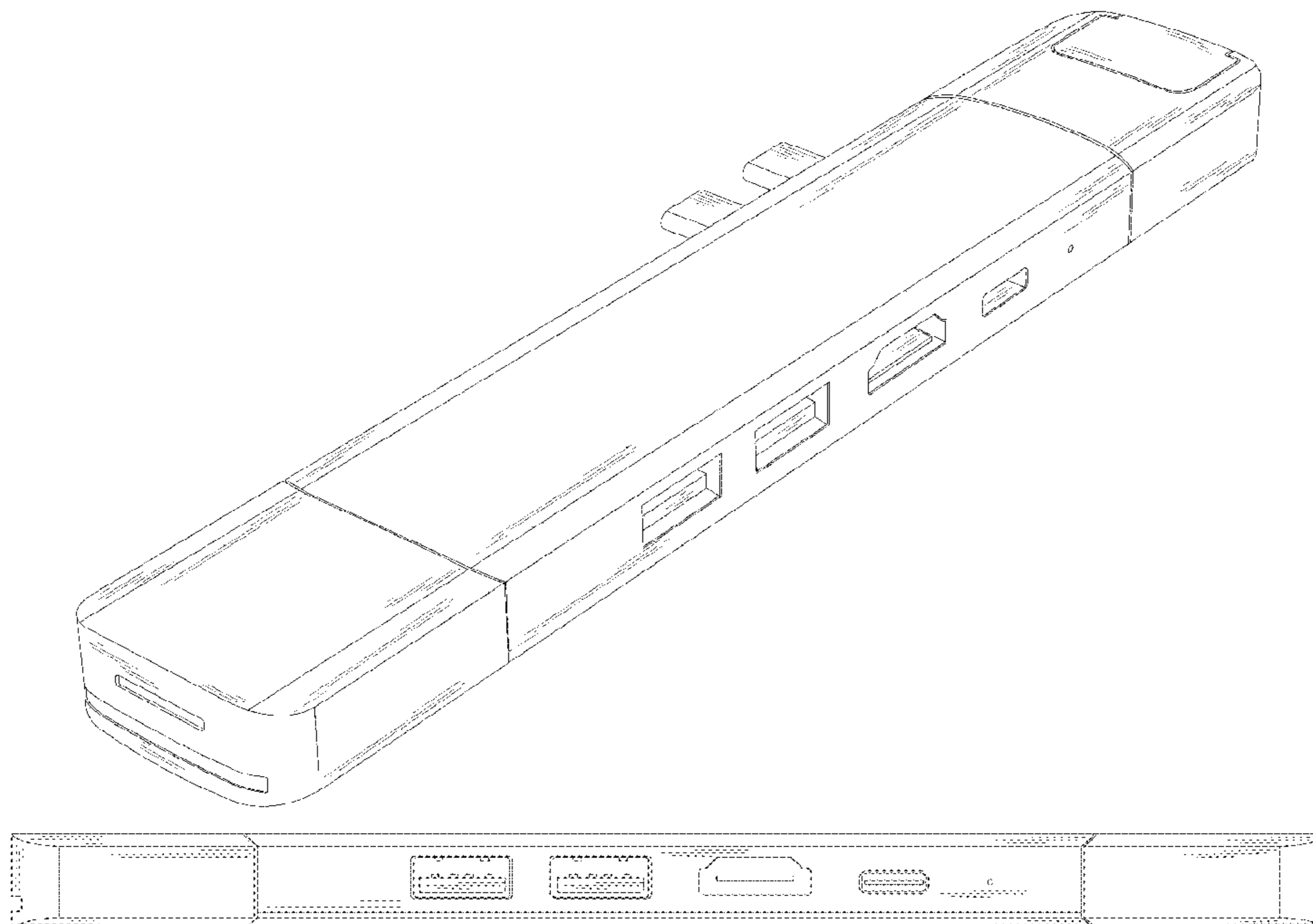
(57) **CLAIM**

I claim the ornamental design for a USB modular multi function adapter, as shown and described.

DESCRIPTION

FIG. 1 is a perspective view of a USB modular multi function adapter showing my new design; FIG. 2 is a front elevational view thereof; FIG. 3 is a rear elevational view thereof; FIG. 4 is a left side elevational view thereof; FIG. 5 is a right side elevational view thereof; FIG. 6 is a top plan view thereof; FIG. 7 is a bottom plan view thereof; and, FIG. 8 is another perspective view thereof.

1 Claim, 8 Drawing Sheets



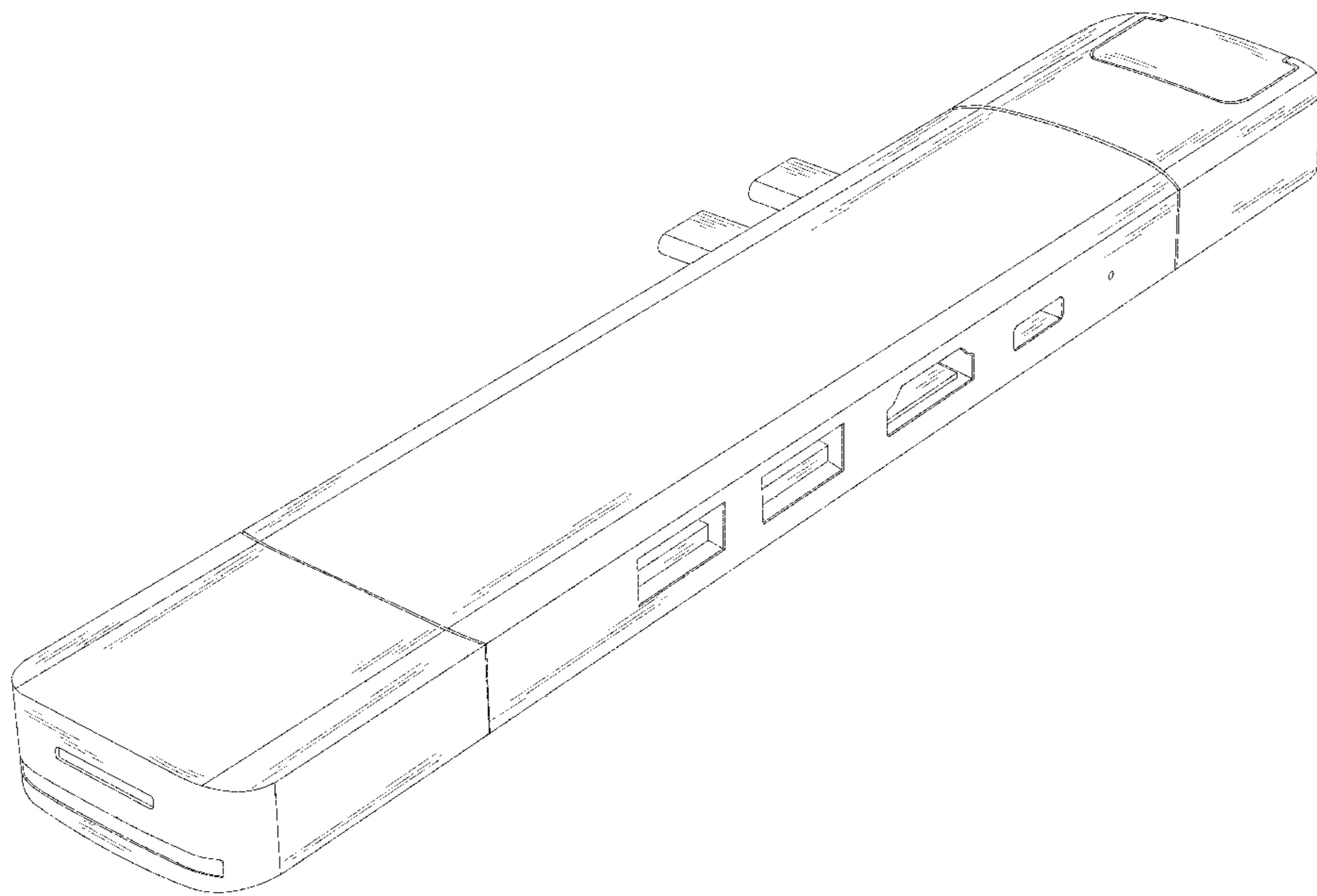


FIG.1

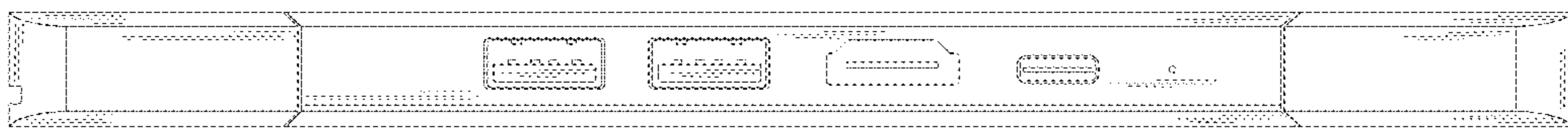


FIG.2

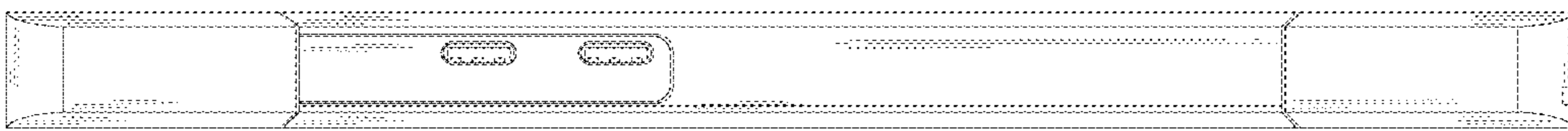


FIG.3

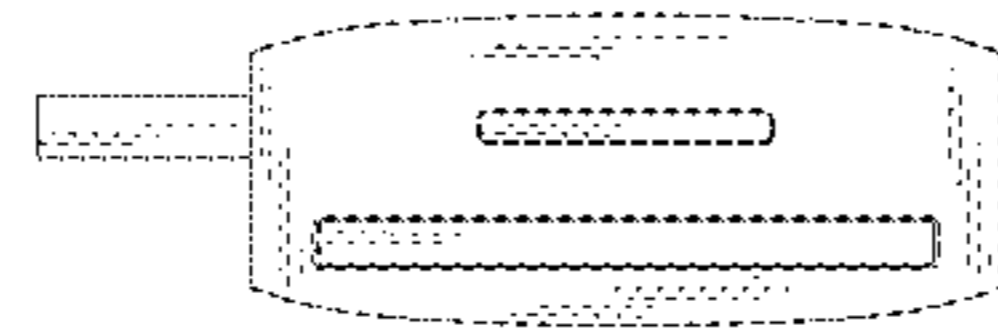


FIG.4

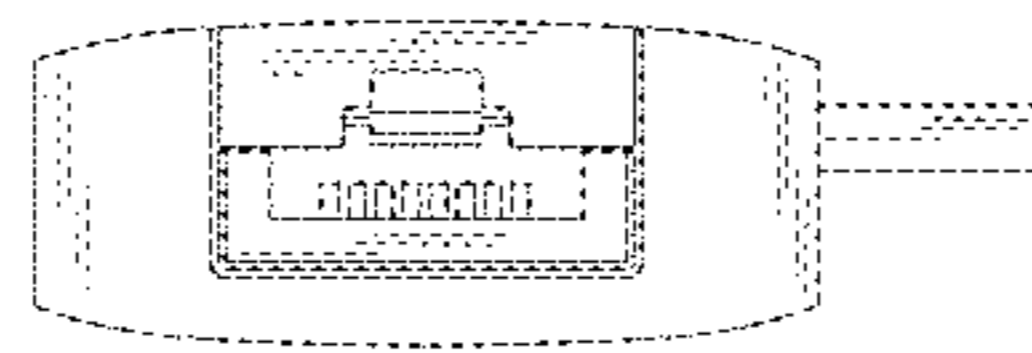


FIG.5

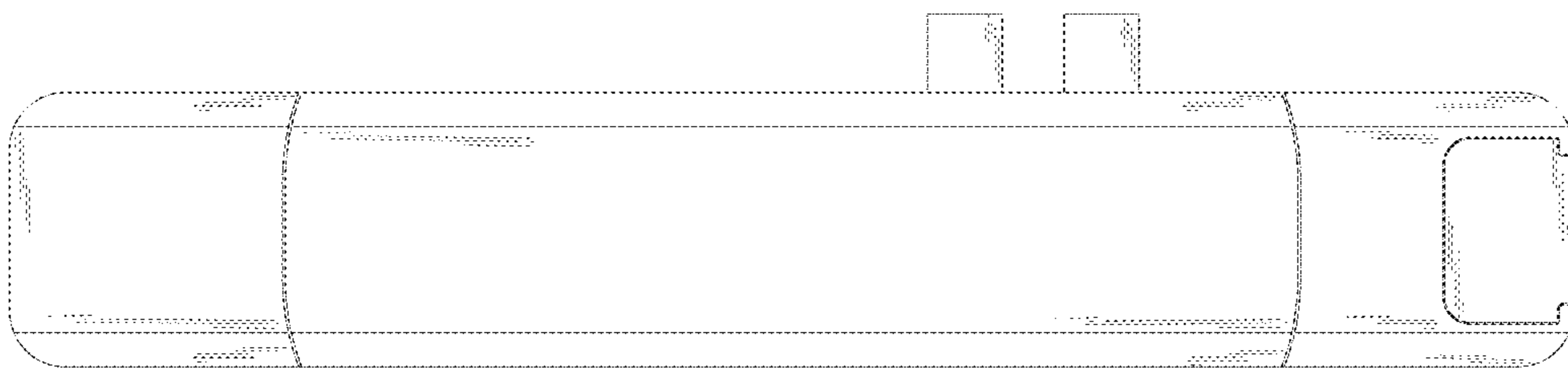


FIG.6

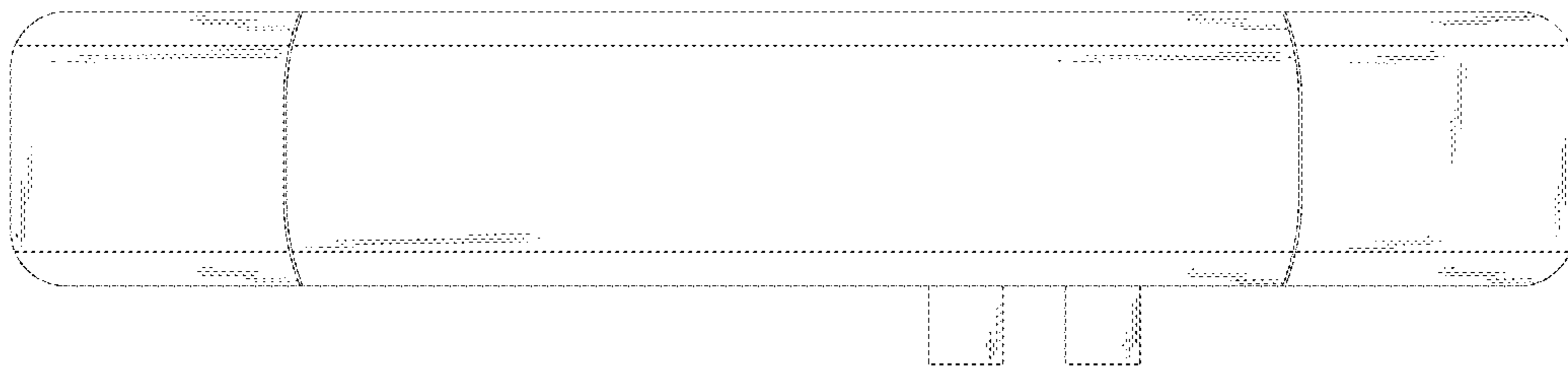


FIG.7

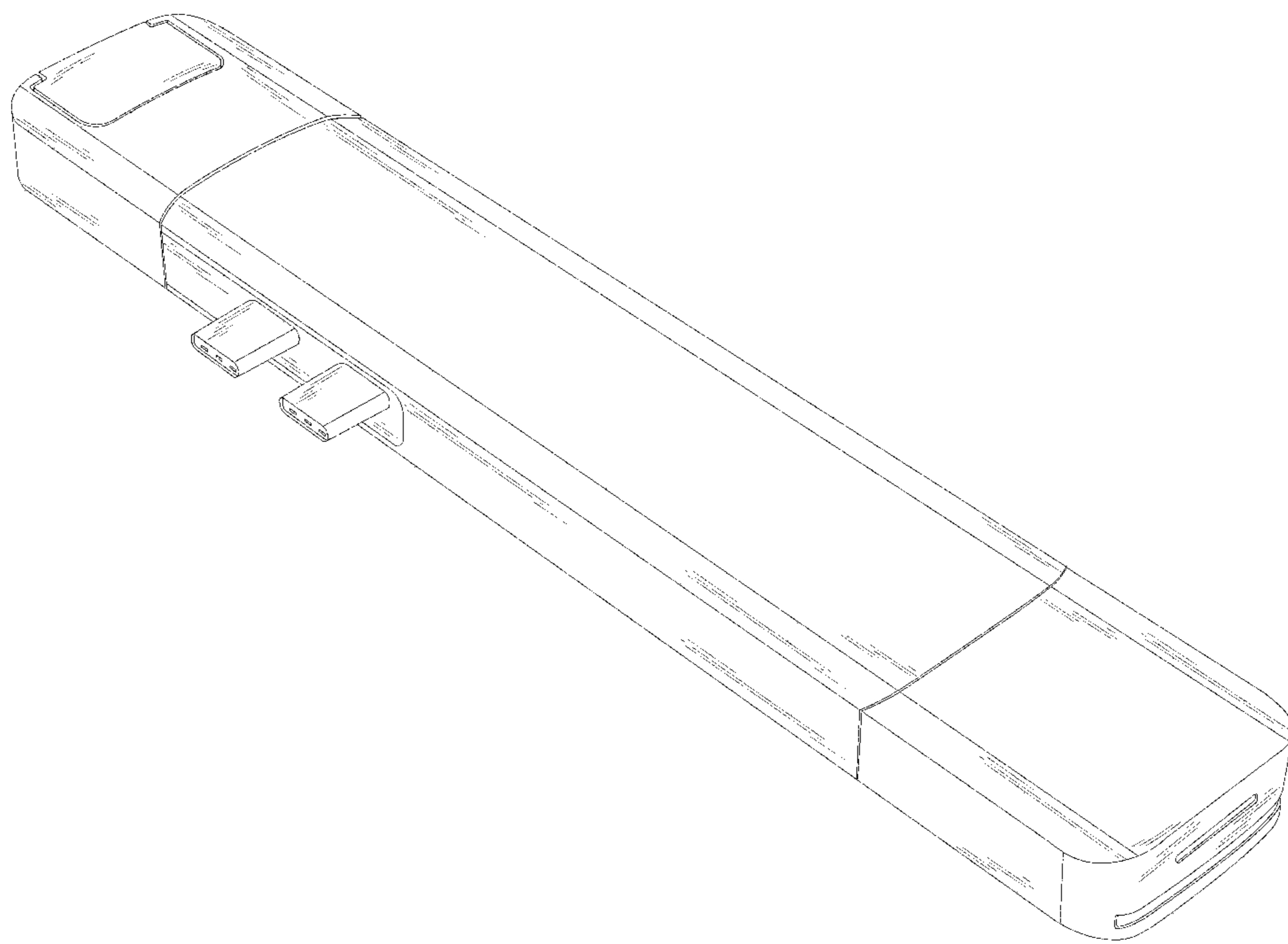


FIG.8