



US00D881191S

(12) **United States Design Patent**  
**Navid**

(10) **Patent No.:** **US D881,191 S**  
(45) **Date of Patent:** **\*\* Apr. 14, 2020**

(54) **POCKET PLAYER**

(71) Applicant: **dreamGEAR, LLC**, Torrance, CA (US)

(72) Inventor: **Amir Navid**, Sherman Oaks, CA (US)

(73) Assignee: **DREAMGEAR, LLC**, Torrance, CA (US)

(\*\*) Term: **15 Years**

(21) Appl. No.: **29/648,593**

(22) Filed: **May 22, 2018**

(51) **LOC (12) Cl.** ..... **14-03**

(52) **U.S. Cl.**  
USPC ..... **D14/401; D21/329**

(58) **Field of Classification Search**  
USPC ..... D14/167, 168, 170–172, 188, 194–196,  
D14/204, 209.1, 210–216, 219, 221, 222,  
(Continued)

(56) **References Cited**

**U.S. PATENT DOCUMENTS**

D336,315 S \* 6/1993 Kitaue ..... D21/331  
D425,942 S \* 5/2000 Tomizawa ..... D21/329  
(Continued)

**OTHER PUBLICATIONS**

DeedleTech [YouTube]; “My Arcade Pacman Portable Pocket Player Review”; [online] ‘[https://www.youtube.com/watch?v=AgHSXv\\_VU\\_c](https://www.youtube.com/watch?v=AgHSXv_VU_c)’; dated Aug. 8, 2018; accessed Dec. 26, 2019; 4p. (Year: 2018).\*

(Continued)

*Primary Examiner* — Keli L Hill

(74) *Attorney, Agent, or Firm* — Karish & Bjorgum, PC

(57) **CLAIM**

The ornamental design for a pocket player, as shown and described.

**DESCRIPTION**

FIG. 1 is top front right isometric view showing a first embodiment of a pocket player of the invention.

FIG. 2 is a bottom rear right isometric view showing the pocket player of FIG. 1.

FIG. 3 is a front view showing the pocket player of FIG. 1.

FIG. 4 is a back view showing the pocket player of FIG. 1.

FIG. 5 is a top view showing the pocket player of FIG. 1.

FIG. 6 is a bottom view showing the pocket player of FIG. 1.

FIG. 7 is a right side view showing the pocket player of FIG. 1.

FIG. 8 is a left side view showing the pocket player of FIG. 1.

FIG. 9 is top front right isometric view showing a second embodiment of a pocket player of the invention.

FIG. 10 is a bottom rear right isometric view showing the pocket player of FIG. 1.

FIG. 11 is a front view showing the pocket player of FIG. 9.

FIG. 12 is a back view showing the pocket player of FIG. 9.

FIG. 13 is a top view showing the pocket player of FIG. 9.

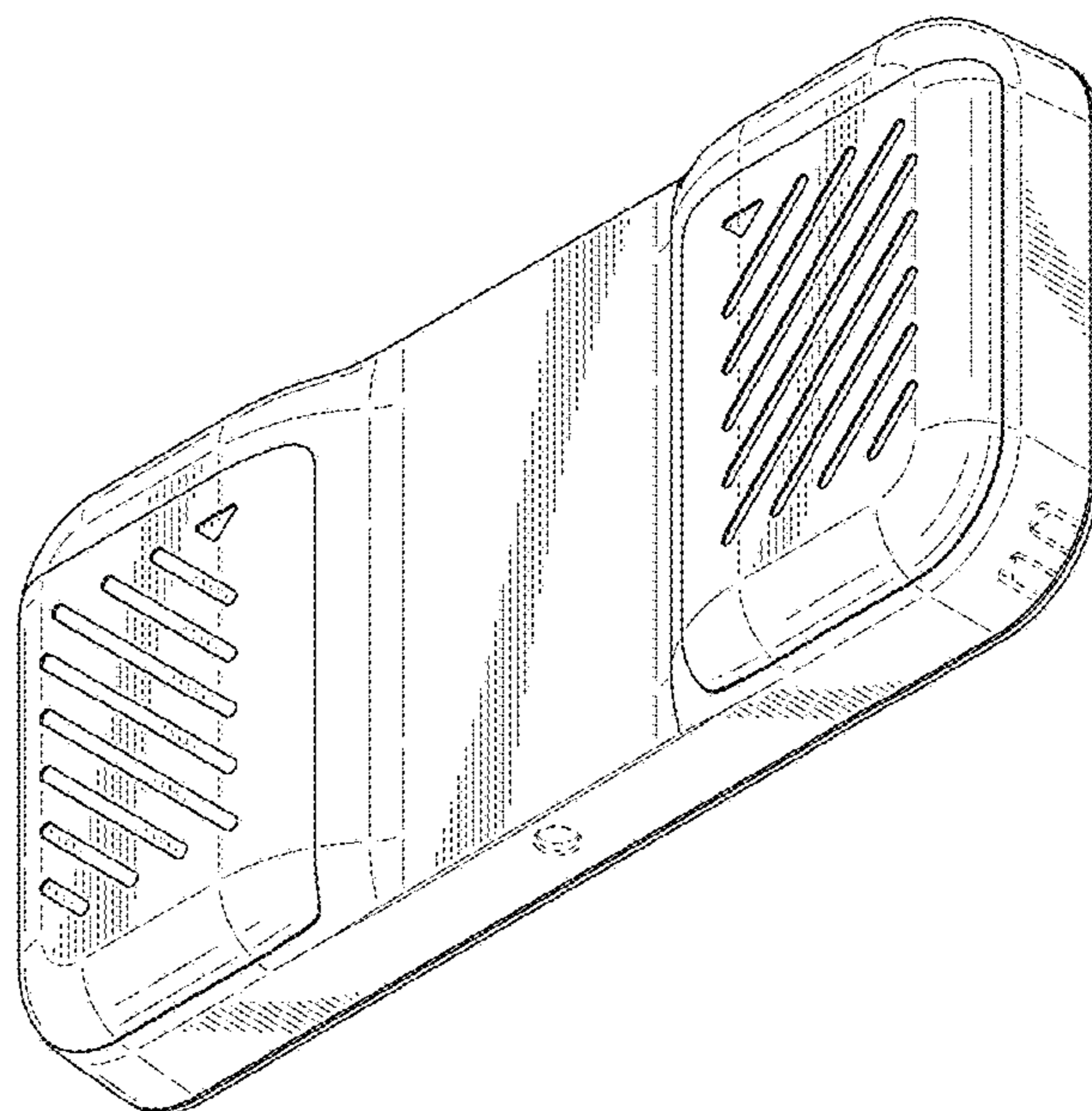
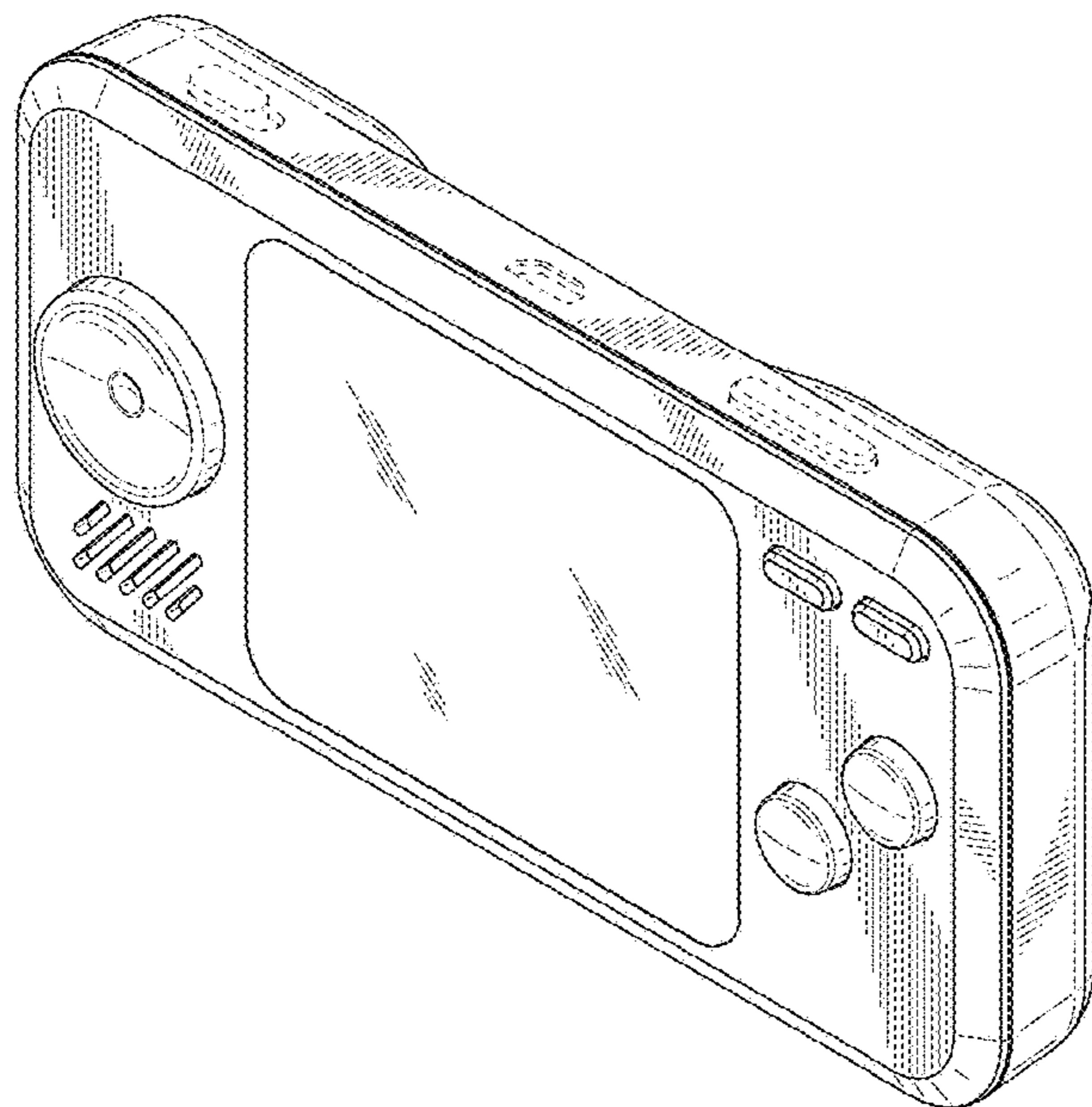
FIG. 14 is a bottom view showing the pocket player of FIG. 9.

FIG. 15 is a right side view showing the pocket player of FIG. 9; and,

FIG. 16 is a left side view showing the pocket player of FIG. 9.

Features shown in broken dashed lines are not claimed and form no part of the invention.

**1 Claim, 6 Drawing Sheets**



(58) **Field of Classification Search**

USPC ..... D14/224, 239, 496, 388, 400, 401;  
 D21/324, 329, 331, 333  
 CPC ..... B60R 11/0217; G06F 1/1688; G10K 9/22;  
 G10K 11/004; H03F 1/327; H04M 1/03;  
 H04M 1/035; H04N 5/642; H04N  
 21/4852; H04R 1/02; H04R 1/06; H04R  
 1/021; H04R 1/025; H04R 1/026; H04R  
 1/028; H04R 1/105; H04R 1/323; H04R  
 1/403; H04R 1/2803; H04R 1/2834;  
 H04R 5/02; H04R 7/20; H04R 9/06;  
 H04R 9/025; H04R 2201/021; H04R  
 2400/00; H04R 2400/07; H04R 2499/11;  
 H04R 2499/13; H04R 2499/15; H04S  
 3/00; H04S 7/30  
 See application file for complete search history.

(56) **References Cited**

U.S. PATENT DOCUMENTS

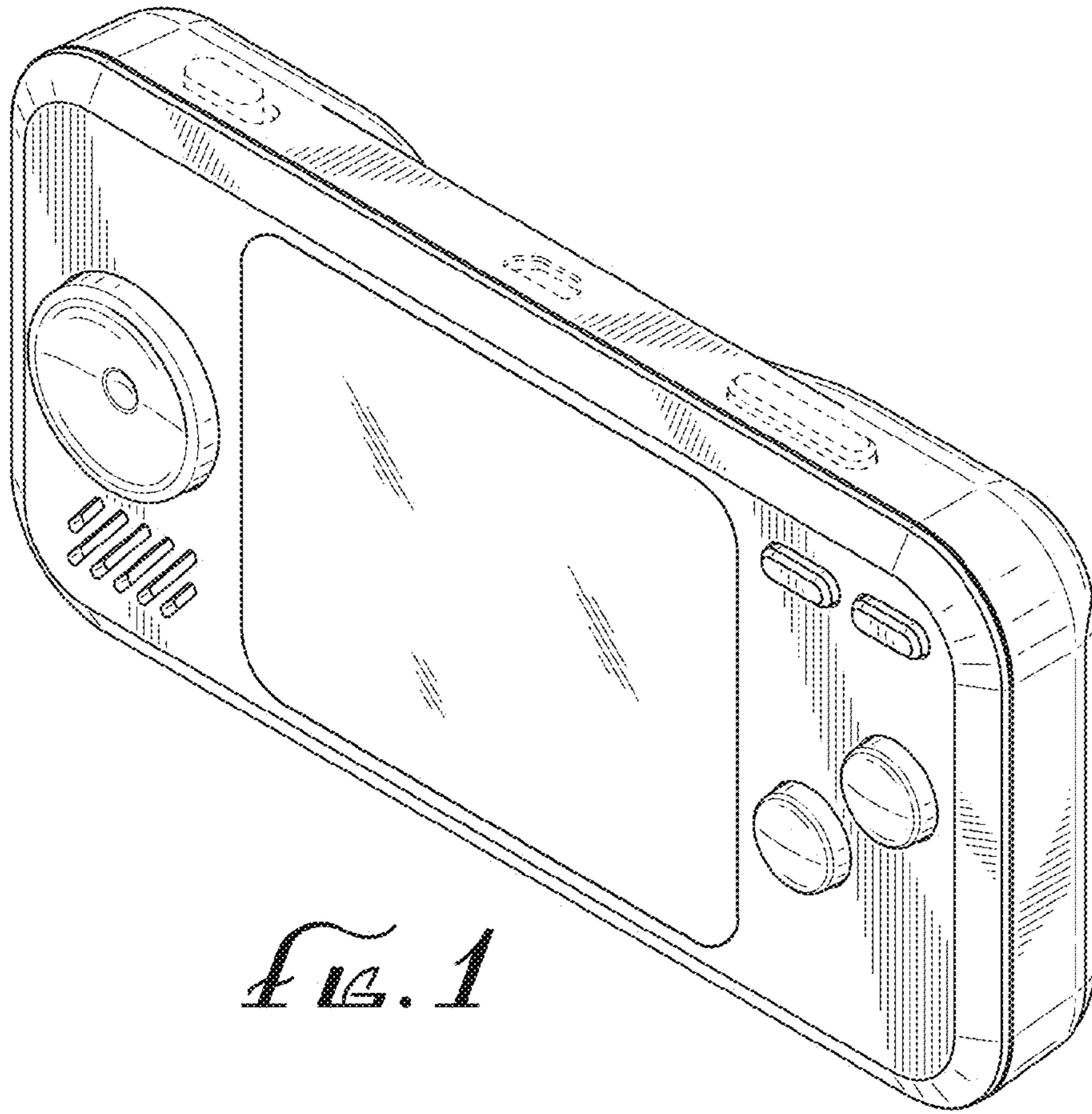
D453,536 S \* 2/2002 Ota ..... D21/329  
 D529,493 S \* 10/2006 Ogasawara ..... D14/356

D613,341 S \* 4/2010 Mar ..... D14/203.7  
 D646,726 S \* 10/2011 Avery ..... D21/324  
 D656,554 S \* 3/2012 Mar ..... D21/324  
 D664,601 S \* 7/2012 Sogabe ..... D14/356  
 D666,679 S \* 9/2012 Ehara ..... D21/330  
 D681,127 S \* 4/2013 Ashida ..... D21/328  
 D702,295 S \* 4/2014 Forman ..... D21/329  
 D720,017 S \* 12/2014 Fujino ..... D14/203.7  
 D741,952 S \* 10/2015 Nokuo ..... D14/401  
 D819,696 S \* 6/2018 Ehara ..... D14/496  
 D834,021 S \* 11/2018 Park ..... D14/401

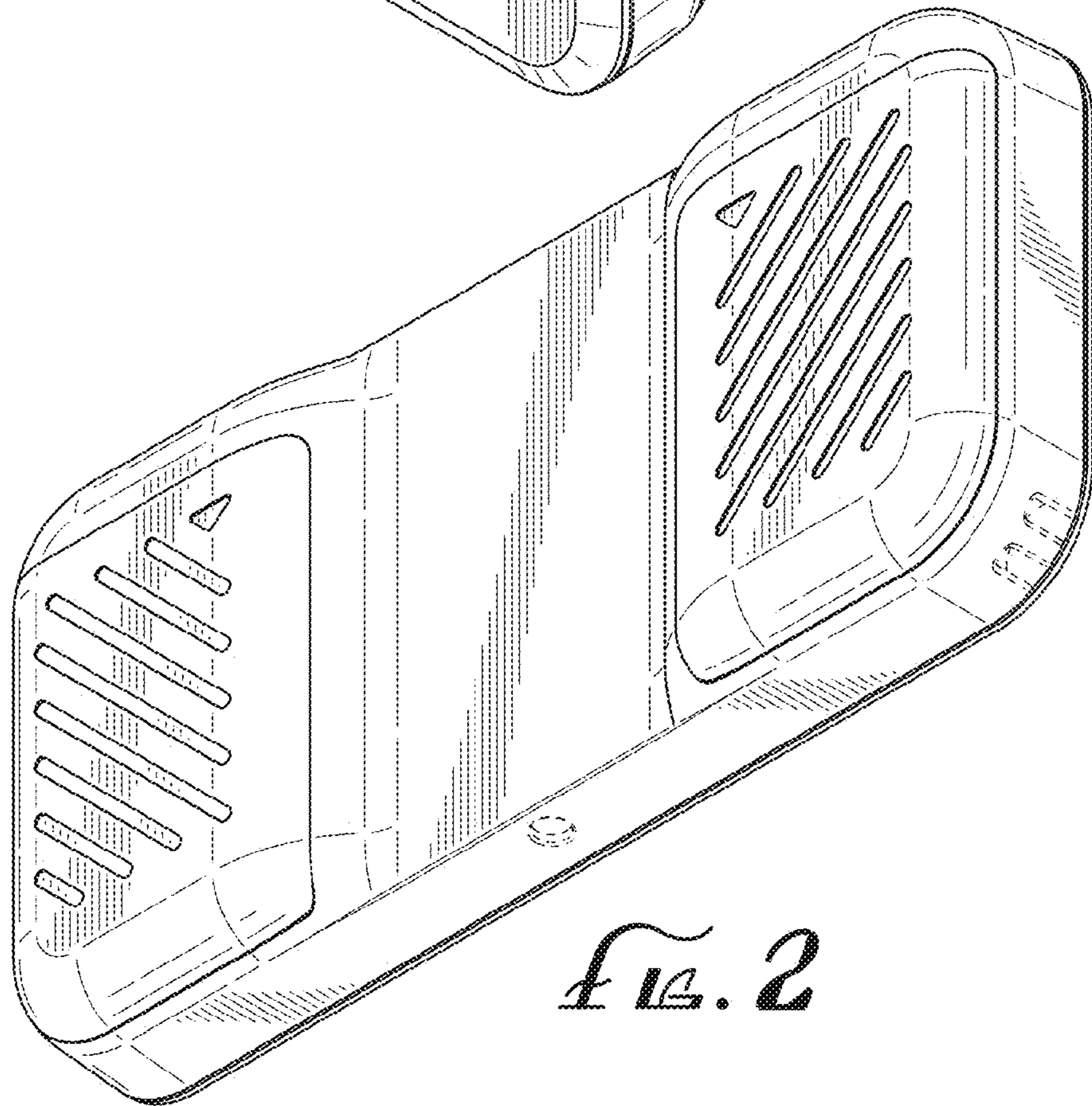
OTHER PUBLICATIONS

RealGenericDemon [YouTube]; MyArcade Pixel Player—Unboxed  
 and Reviewed; [online] ‘<https://www.youtube.com/watch?v=tKR7e8p5dlc>’; dated Jan. 27, 2018; accessed Dec. 26, 2019; 4p.  
 (Year: 2018).\*

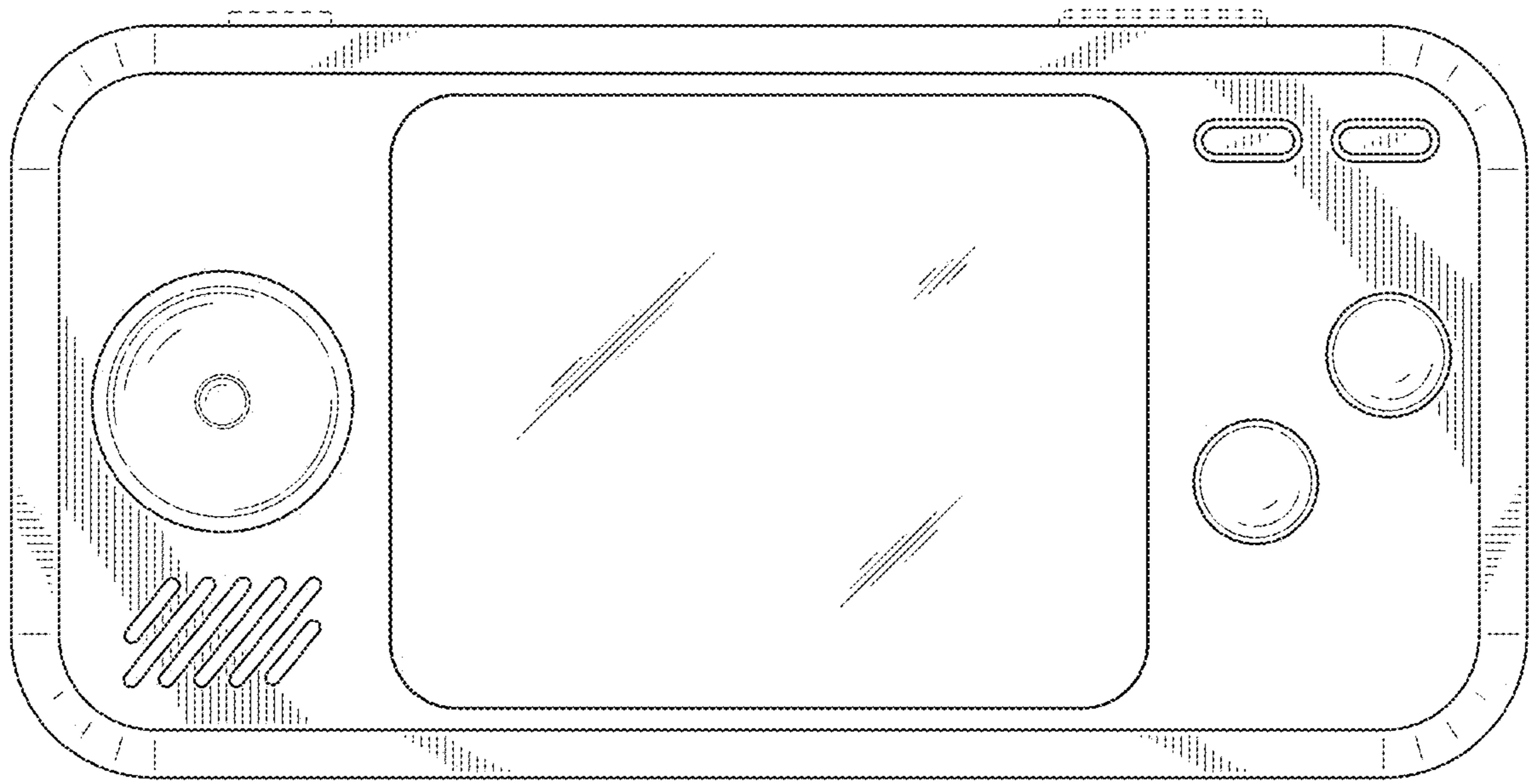
\* cited by examiner



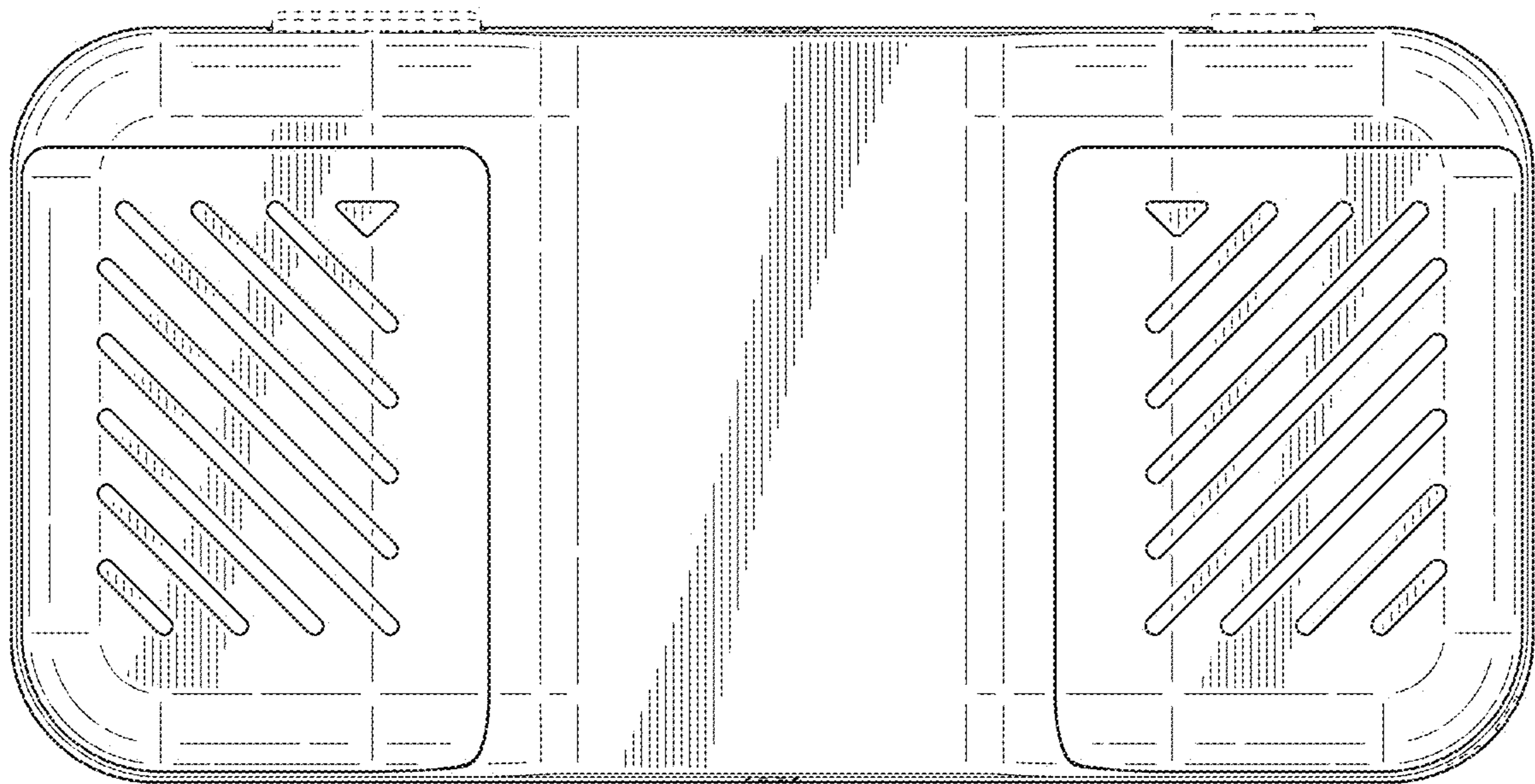
*FIG. 1*



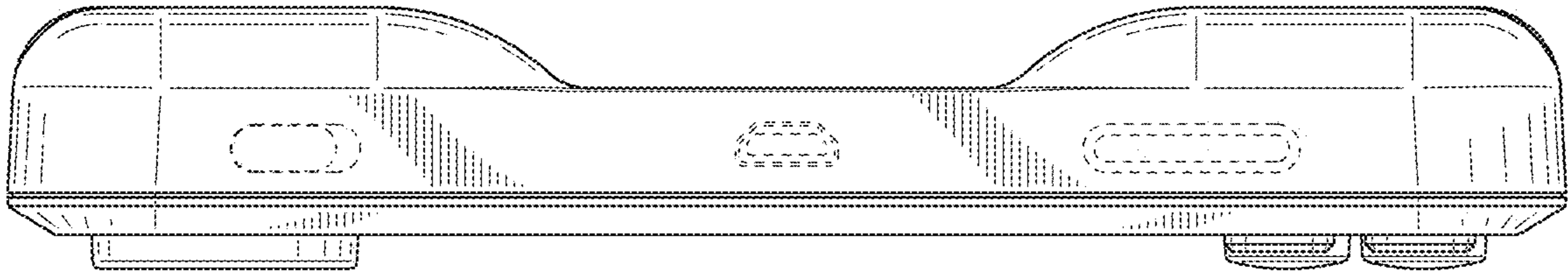
*FIG. 2*



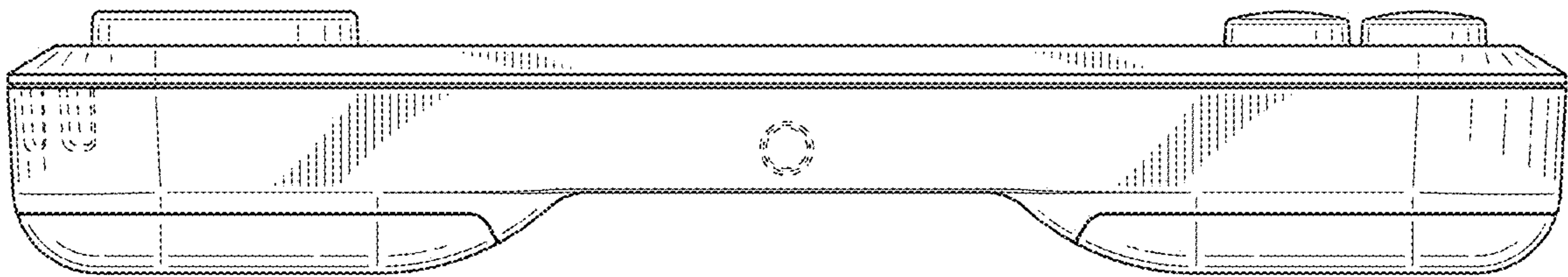
*FIG. 3*



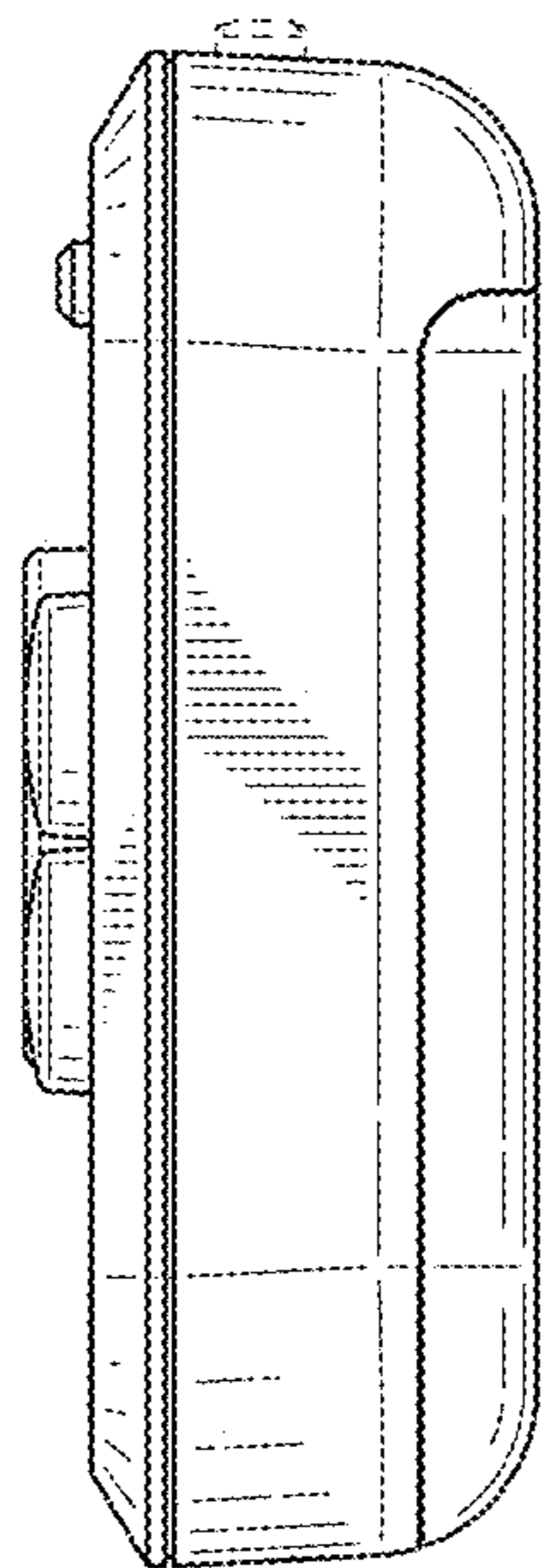
*FIG. 4*



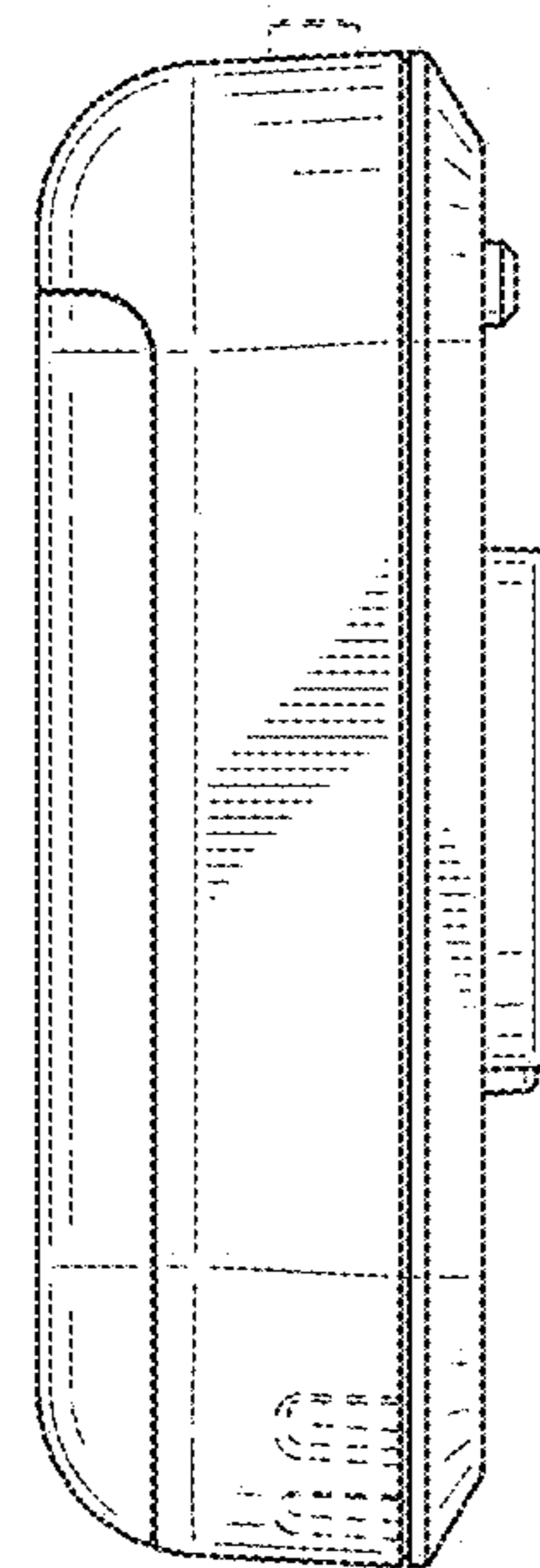
*FIG. 5*



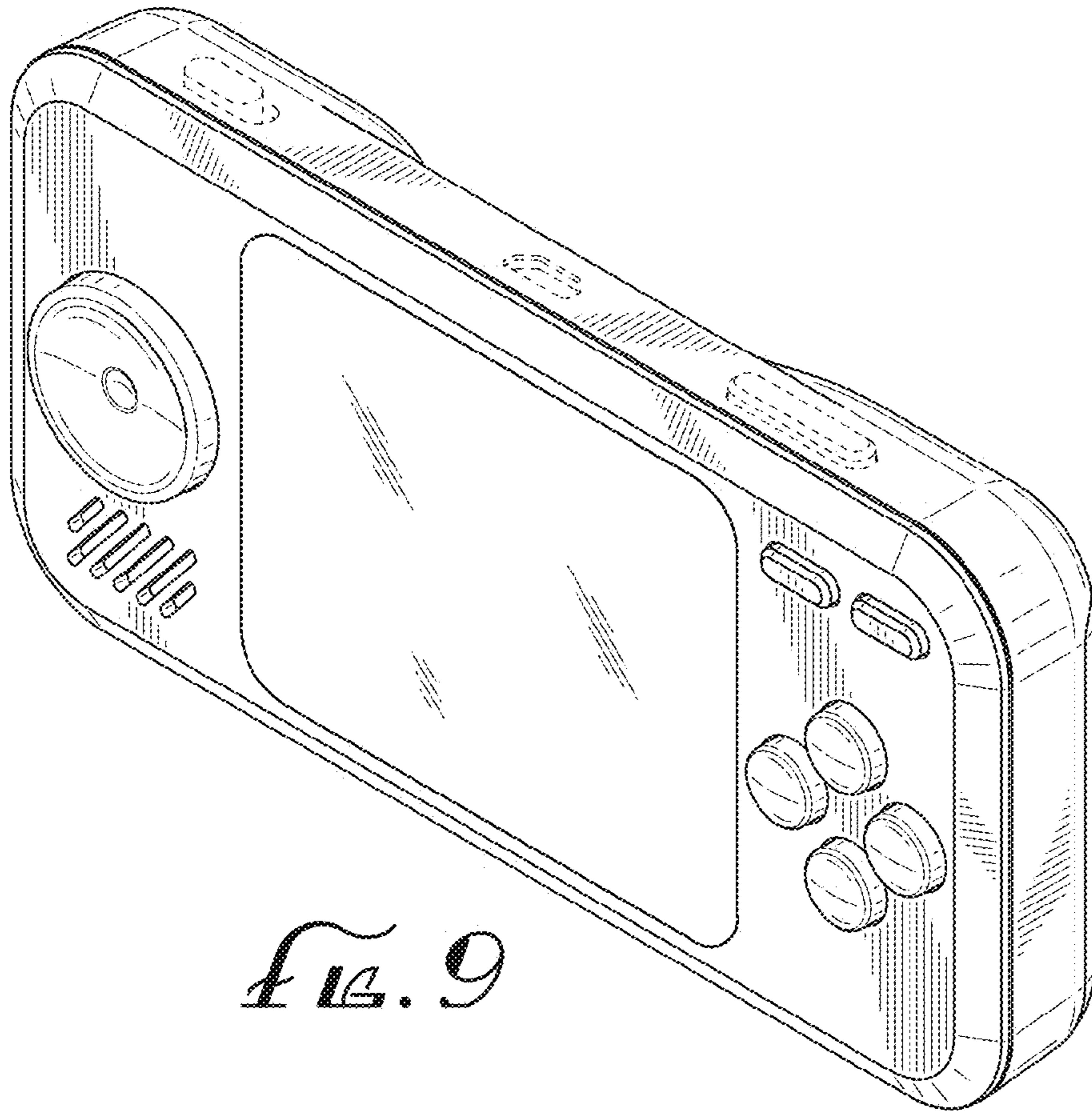
*FIG. 6*



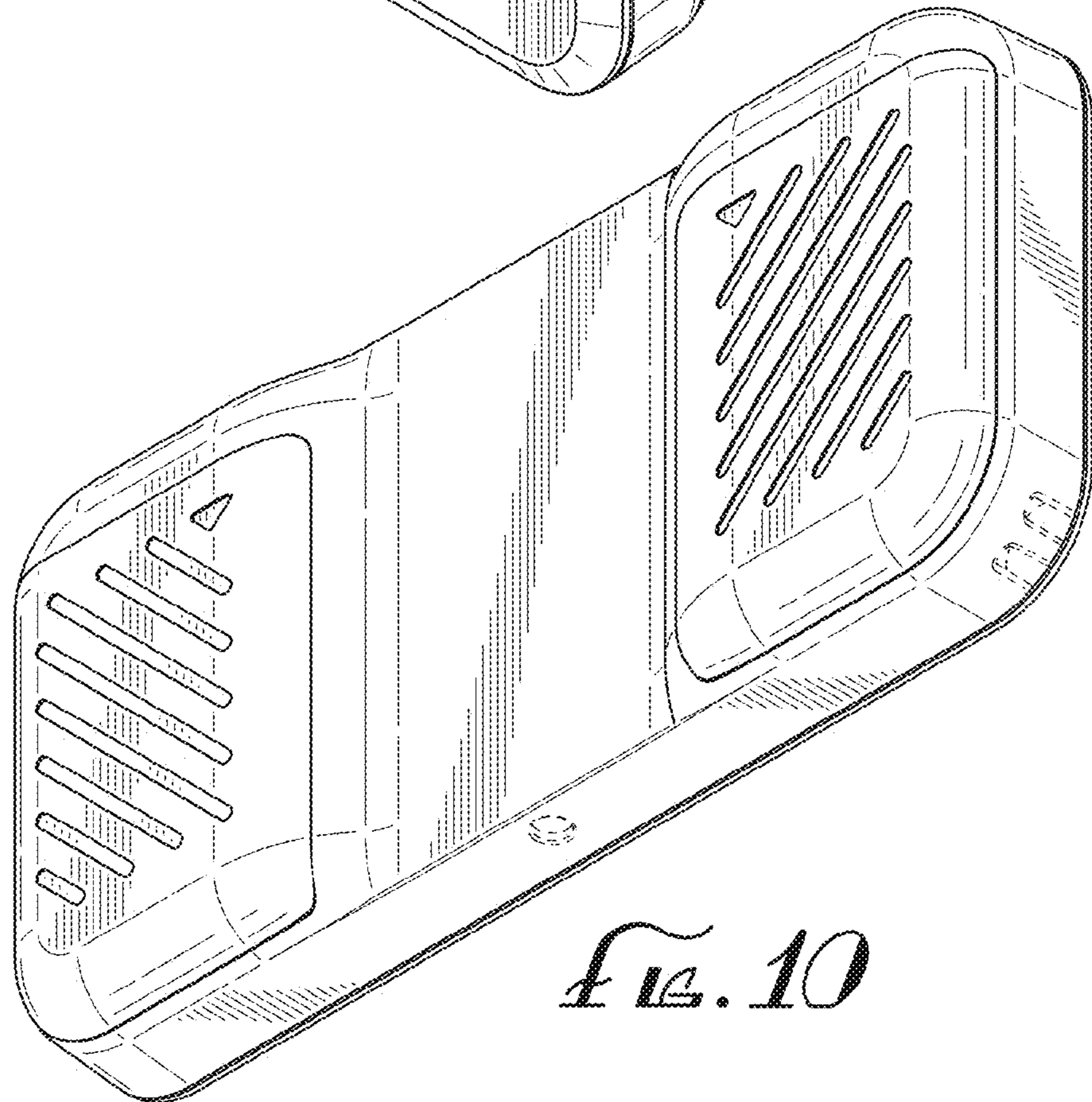
*FIG. 7*



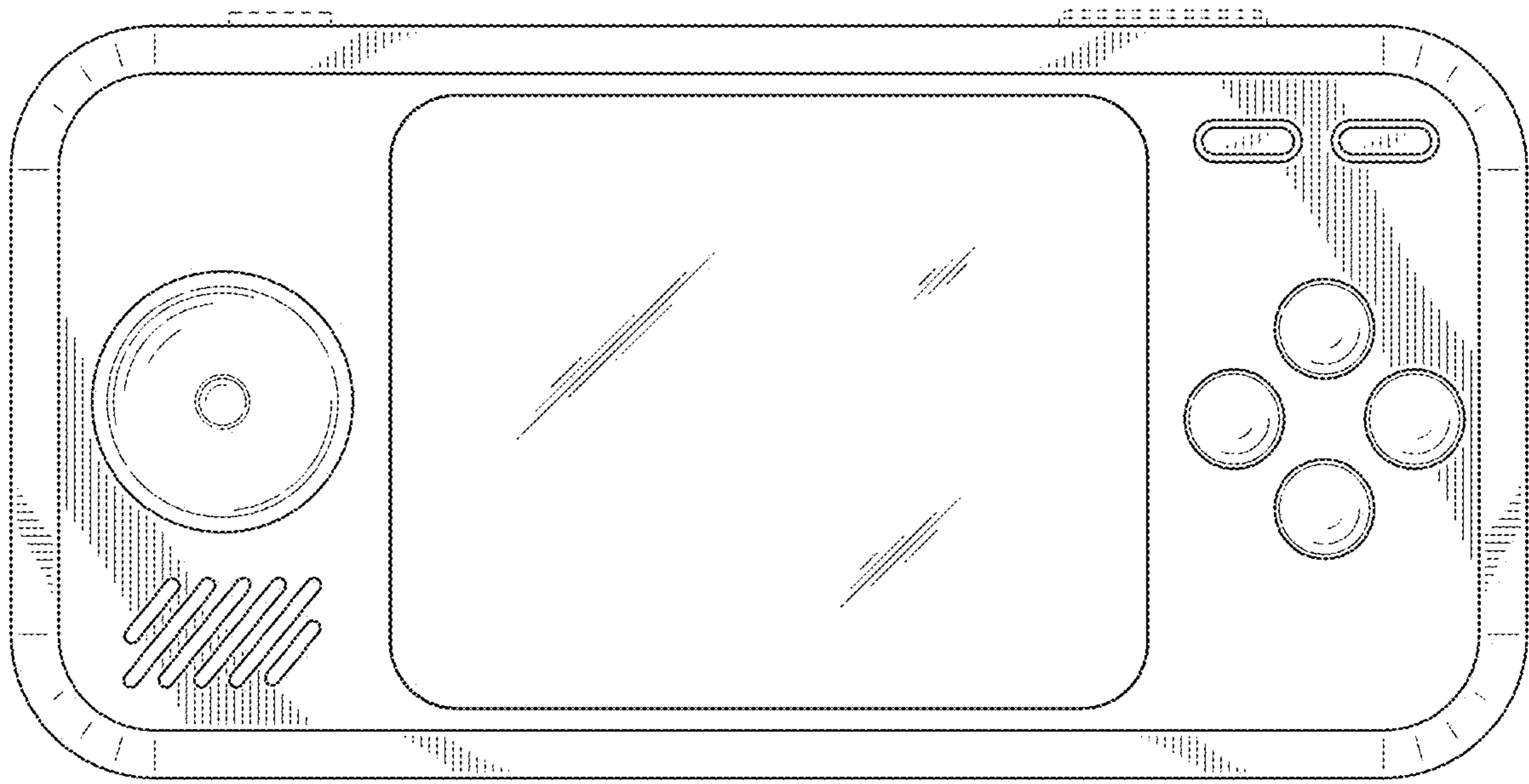
*FIG. 8*



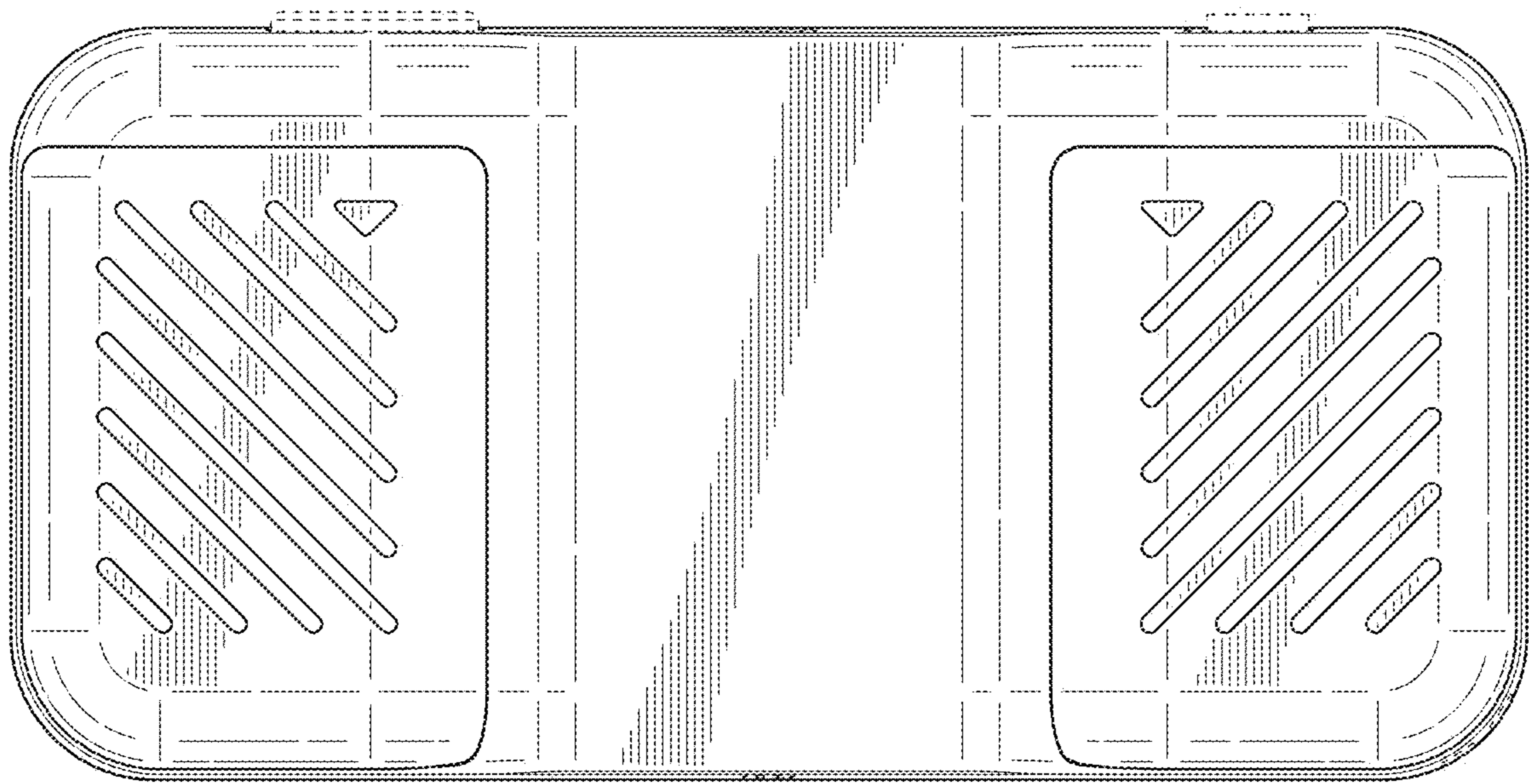
*FIG. 9*



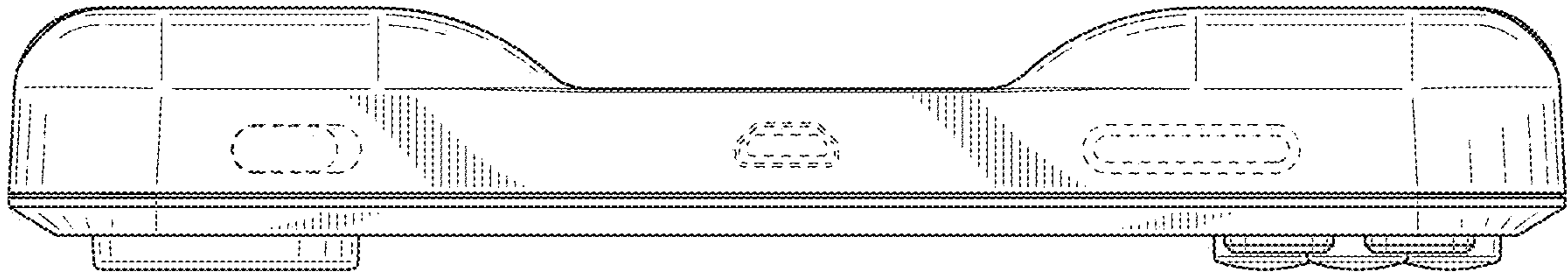
*FIG. 10*



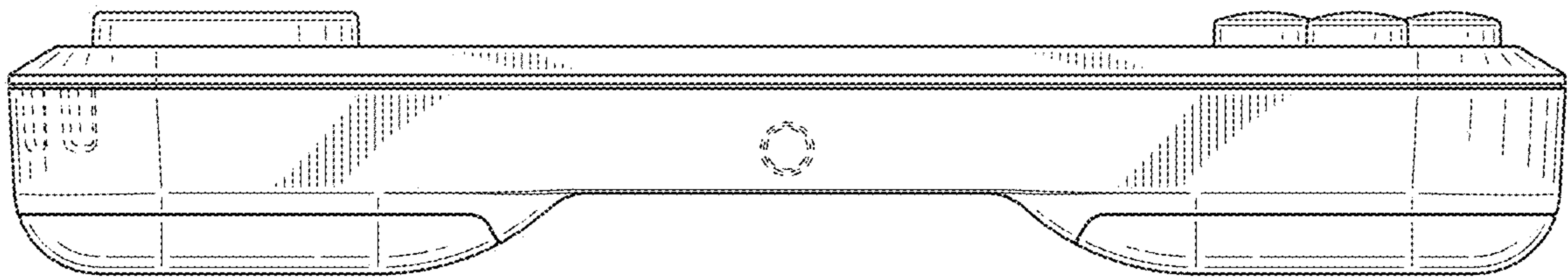
*FIG. 11*



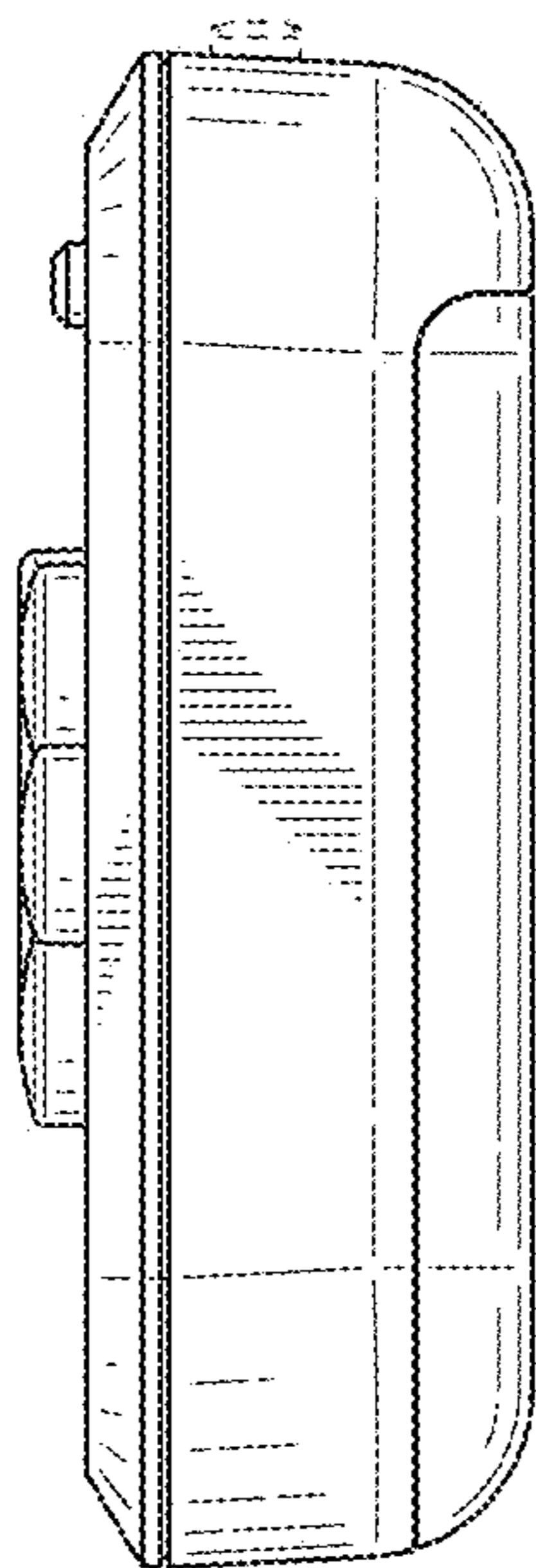
*FIG. 12*



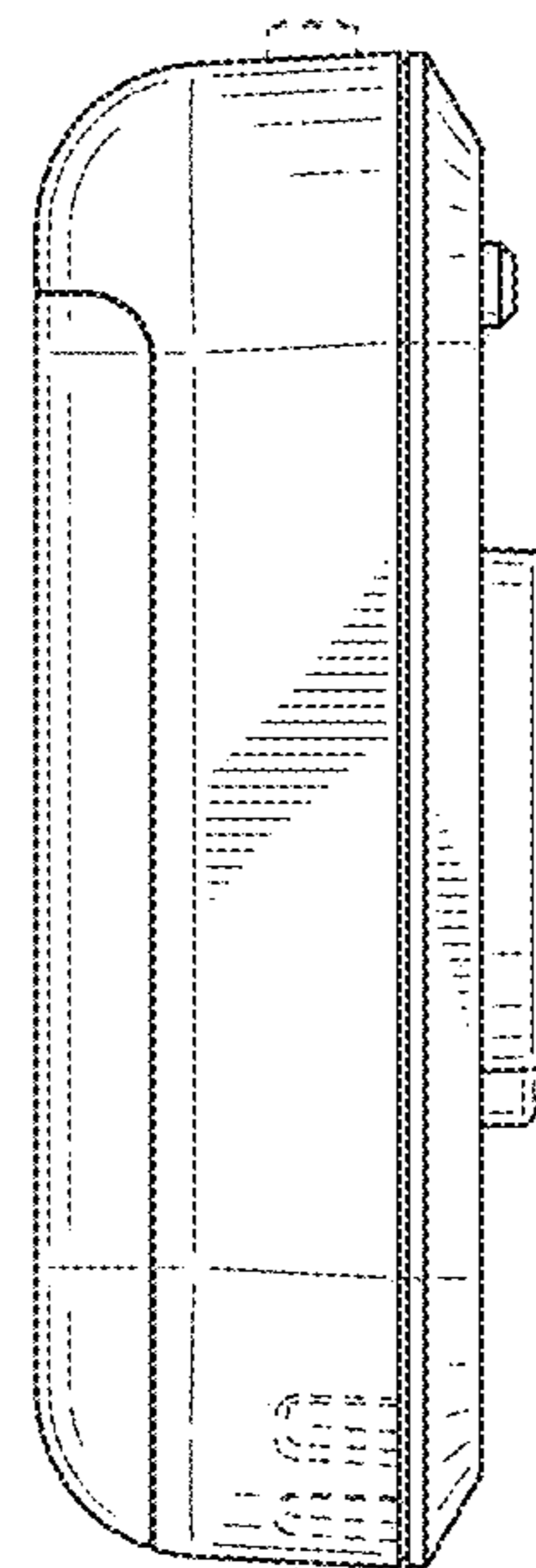
*FIG. 13*



*FIG. 14*



*FIG. 15*



*FIG. 16*