



US00D881190S

(12) **United States Design Patent**  
**Tong**

(10) **Patent No.:** **US D881,190 S**

(45) **Date of Patent:** **\*\* Apr. 14, 2020**

(54) **KEYBOARD**

(71) Applicant: **RAZER (ASIA-PACIFIC) PTE. LTD.**,  
Singapore (SG)

(72) Inventor: **Ien Yu Tong**, Johor (MY)

(73) Assignee: **RAZER (ASIA-PACIFIC) PTE. LTD.**,  
Singapore (SG)

(\*\*) Term: **15 Years**

(21) Appl. No.: **29/650,264**

(22) Filed: **Jun. 5, 2018**

(51) **LOC (12) Cl.** ..... **14-02**

(52) **U.S. Cl.**  
USPC ..... **D14/392**

(58) **Field of Classification Search**  
USPC ..... D14/315-327, 391-399, 455-457, 247,  
D14/346, 203.4, 203.6, 345, 477, 507,  
D14/509; D18/1-2, 4.1-4.6, 7, 11;  
235/145 A, 145 R; 341/22-23; 345/104,  
345/156, 168-169, 173; 361/679.08,  
361/679.09, 679.11, 679.26, 679.27;  
708/142, 146

CPC ..... B41J 5/00; B41J 5/10; B41J 5/12; F16M  
11/10; G06F 3/0219; G06F 3/02

See application file for complete search history.

(56) **References Cited**

**U.S. PATENT DOCUMENTS**

D292,801 S	*	11/1987	Davis, Jr.	.....	D14/396
D293,243 S	*	12/1987	Kakiuchi	.....	D14/396
D306,288 S	*	2/1990	Hsiao	.....	D14/398
D313,402 S	*	1/1991	Esslinger	.....	D14/396
D340,916 S	*	11/1993	Iimura	.....	D13/162
D346,161 S	*	4/1994	Oh	.....	D14/396
D350,948 S	*	9/1994	Smith	.....	D14/398
D352,933 S	*	11/1994	Vaule	.....	D14/461
D363,480 S	*	10/1995	Wu	.....	D14/397
D368,707 S	*	4/1996	Backs	.....	D14/397

D370,474 S	*	6/1996	Kirchhoff	.....	D14/461
D383,740 S	*	9/1997	Kirchhoff	.....	D14/461
D408,026 S	*	4/1999	Hung	.....	D14/461

(Continued)

**FOREIGN PATENT DOCUMENTS**

EM	005817244-0002	*	1/2019
EM	005817244-0003	*	1/2019

(Continued)

**OTHER PUBLICATIONS**

Huntsman Elite Keyboard, Razer, razer.com, author not listed, published on Aug. 26, 2018 per wayback machine © 2019 Razer, online, site visited Oct. 28, 2019. Available at URL: <https://www.razer.com/sg-en/gaming-keyboards-keypads/razer-huntsman-elite> (Year: 2018).\*

(Continued)

*Primary Examiner* — Marissa J Cash  
*Assistant Examiner* — Altaira J Swangin  
(74) *Attorney, Agent, or Firm* — Polsinelli PC

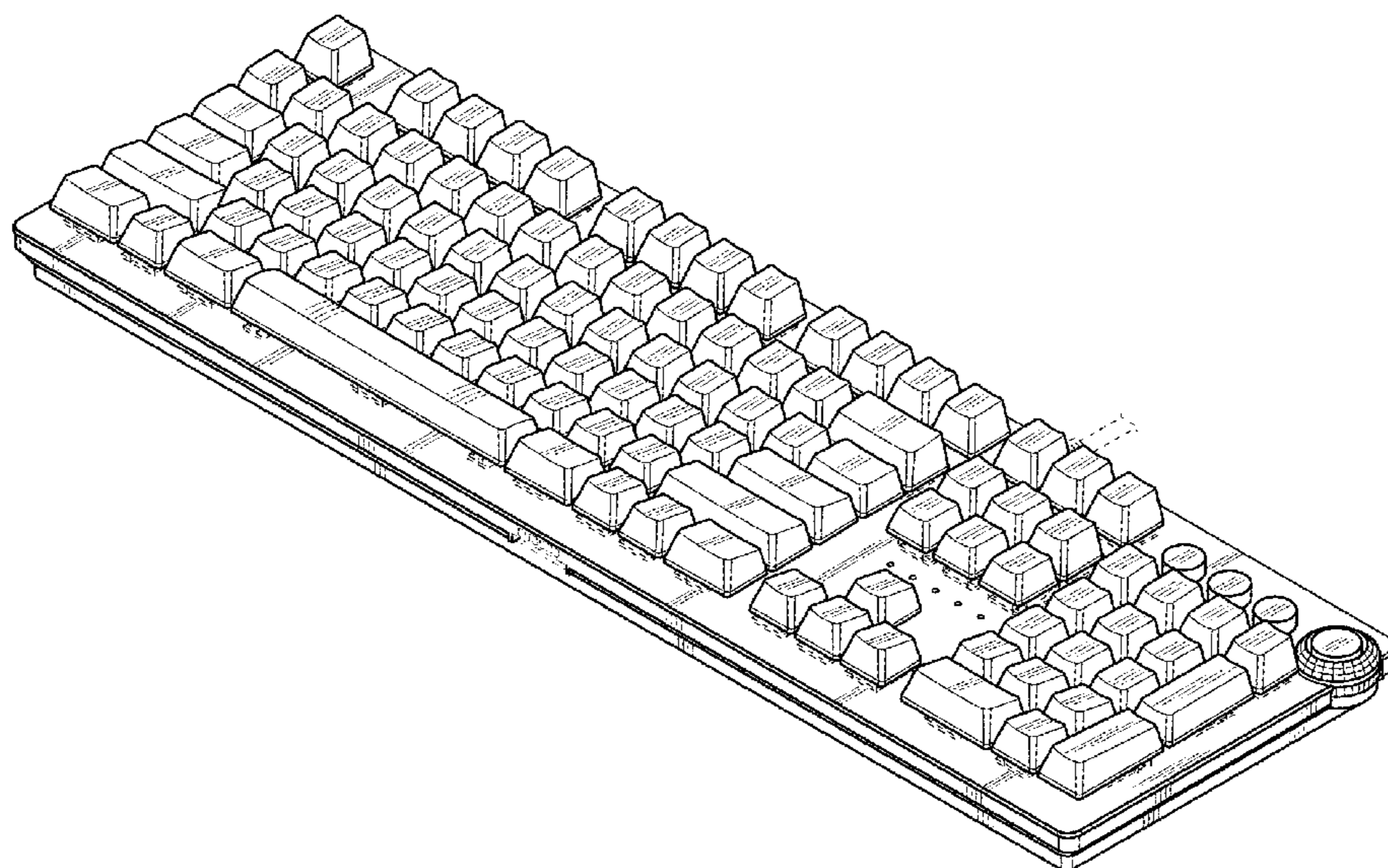
(57) **CLAIM**

I claim the ornamental design for a keyboard, as shown and described.

**DESCRIPTION**

FIG. 1 is a perspective view of a keyboard, showing my new design;  
FIG. 2 is a top plan view thereof;  
FIG. 3 is a bottom plan view thereof;  
FIG. 4 is a rear elevational view thereof;  
FIG. 5 is a front elevational view thereof;  
FIG. 6 is a right side elevational view thereof; and,  
FIG. 7 is a left side elevational view thereof.  
The broken lines are for illustrating portions of the keyboard which form no part of the claimed design.

**1 Claim, 5 Drawing Sheets**



(56)

References Cited

U.S. PATENT DOCUMENTS

5,986,586 A \* 11/1999 Tsai ..... G06F 3/0238  
341/22  
D426,834 S \* 6/2000 Der ..... D14/396  
6,312,175 B1 \* 11/2001 Lum ..... G06F 3/021  
400/472  
D516,558 S \* 3/2006 Neal ..... D14/396  
D521,513 S \* 5/2006 Neal ..... D14/392  
D523,146 S \* 6/2006 Ogiwara ..... D14/396  
7,171,498 B2 \* 1/2007 Tu ..... G06F 3/0236  
710/73  
D556,758 S \* 12/2007 Nguyen ..... D14/391  
D599,350 S \* 9/2009 O'Neil ..... D14/392  
D599,351 S \* 9/2009 Manalo ..... D14/393  
D606,073 S \* 12/2009 O'Neil ..... D14/391  
D607,451 S \* 1/2010 Wang ..... D14/392  
D611,482 S \* 3/2010 Manalo ..... D14/455  
7,946,774 B2 \* 5/2011 Matias ..... G06F 3/0221  
345/168  
D724,589 S \* 3/2015 Ozolins ..... D14/392  
D777,118 S \* 1/2017 Gaiduk ..... D13/162  
D810,082 S \* 2/2018 Tzeng ..... D14/391  
D812,056 S \* 3/2018 Guermeur ..... D14/392  
D820,260 S \* 6/2018 Ang ..... D14/391  
D829,210 S \* 9/2018 Buhler ..... D14/392  
D829,716 S \* 10/2018 Barnard ..... D14/391  
D830,360 S \* 10/2018 Jin ..... D14/392  
D838,721 S \* 1/2019 Pang ..... D14/391  
D838,722 S \* 1/2019 Pang ..... D14/391  
2003/0197627 A1 \* 10/2003 Botich ..... G06F 3/0219  
341/22  
2007/0285393 A1 \* 12/2007 Ishakov ..... G06F 3/0238  
345/168  
2010/0097245 A1 \* 4/2010 Wang ..... G06F 3/021  
341/22  
2011/0115651 A1 \* 5/2011 Zhou ..... H03K 17/9618  
341/22

2011/0274475 A1 \* 11/2011 Hung ..... G06F 3/0224  
400/484  
2011/0285551 A1 \* 11/2011 Xu ..... G06F 3/02  
341/22  
2013/0118878 A1 \* 5/2013 Purcocks ..... G06F 3/0202  
200/5 A  
2013/0249715 A1 \* 9/2013 Shih ..... H03M 11/02  
341/22  
2014/0300551 A1 \* 10/2014 Purcocks ..... G06F 3/0202  
345/168  
2017/0315621 A1 \* 11/2017 Yao ..... G06F 3/023  
2017/0315623 A1 \* 11/2017 Yao ..... G06F 3/021  
2019/0129514 A1 \* 5/2019 Lu ..... G06F 3/0221  
2019/0235638 A1 \* 8/2019 Lee ..... G06F 3/0219

FOREIGN PATENT DOCUMENTS

EM 005817244-0005 \* 1/2019  
EM 005817244-0006 \* 1/2019  
EM 005817244-0007 \* 1/2019  
EM 005817277-0001 \* 1/2019  
EM 005817277-0003 \* 1/2019  
KR 300903239.0000 \* 4/2017

OTHER PUBLICATIONS

Mechanical Keyboard, DAS Keyboard, amazon.com, published by DAS Keyboard on Mar. 10, 2015 © 1996-2019, Amazon.com, Inc, online, site visited Nov. 15, 2019. Available at URL: <https://www.amazon.com/Das-Keyboard-Professional-Cherry-Mechanical/dp/B00TU7UA7W?th=1> (Year: 2015).\*

Mechanical Keyboard, AULA, amazon.com, published by AULA on Oct. 30, 2018 © 1996-2019, Amazon.com, Inc, online, site visited Nov. 15, 2019. Available at URL: <https://www.amazon.com/AULA-Keyboard-Mechanical-Ergonomic-Desktop/dp/B07K1VSTSP> (Year: 2018).\*

\* cited by examiner

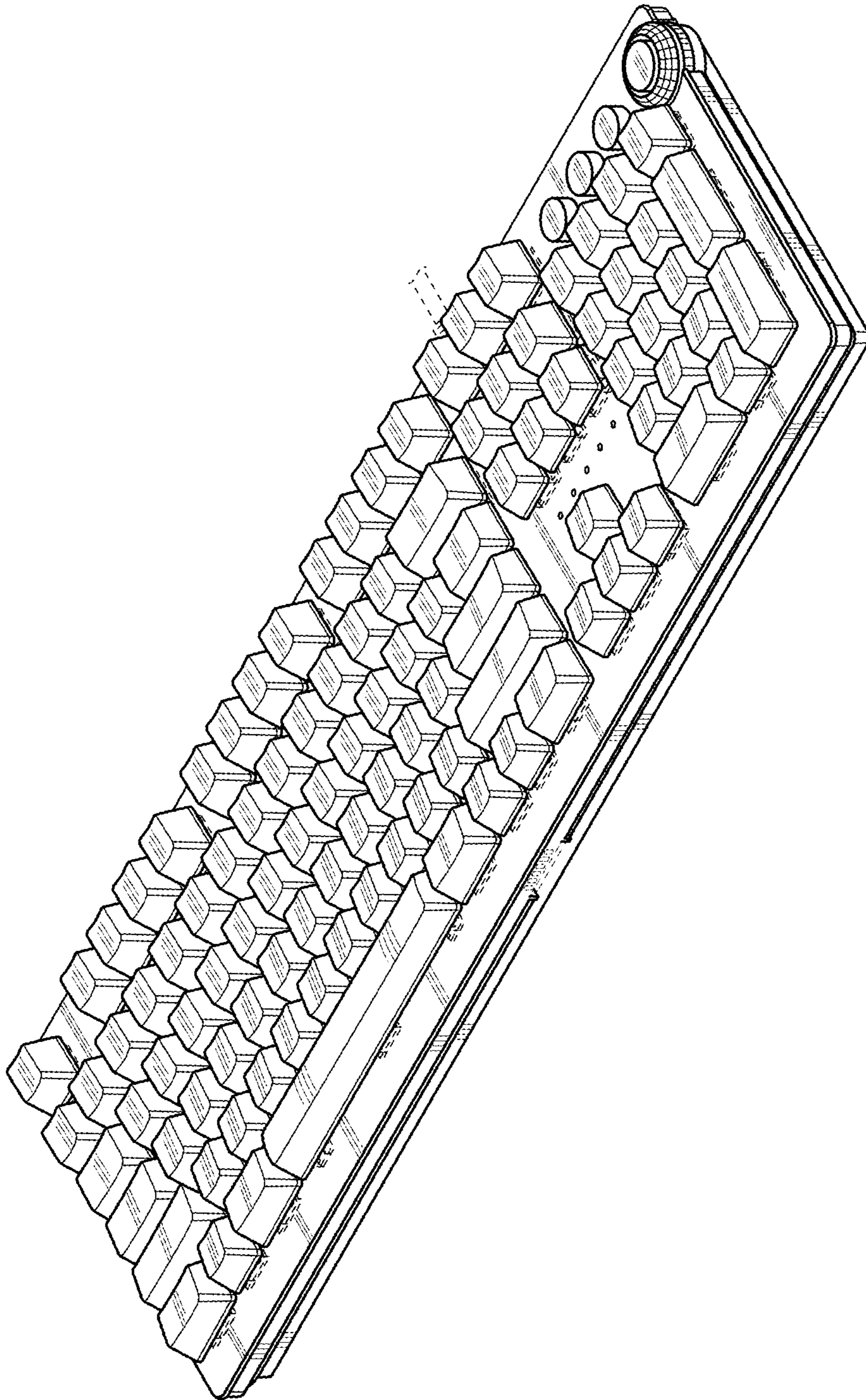


FIG. 1

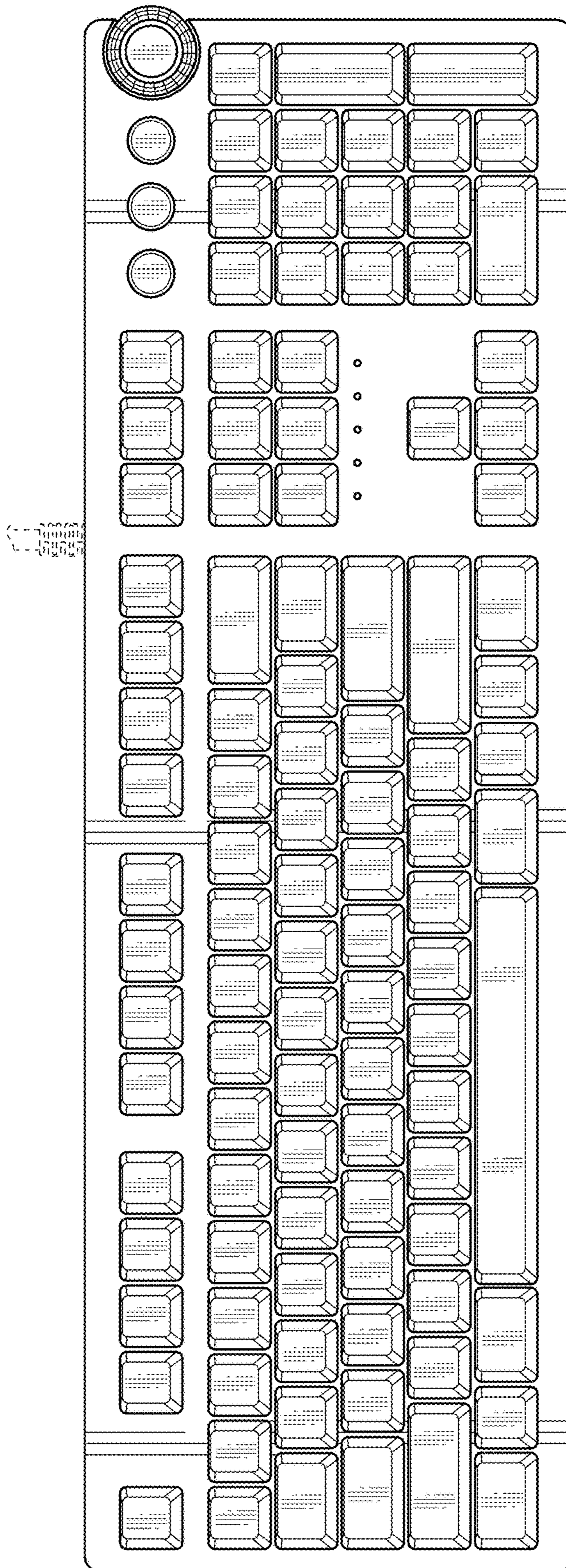


FIG. 2

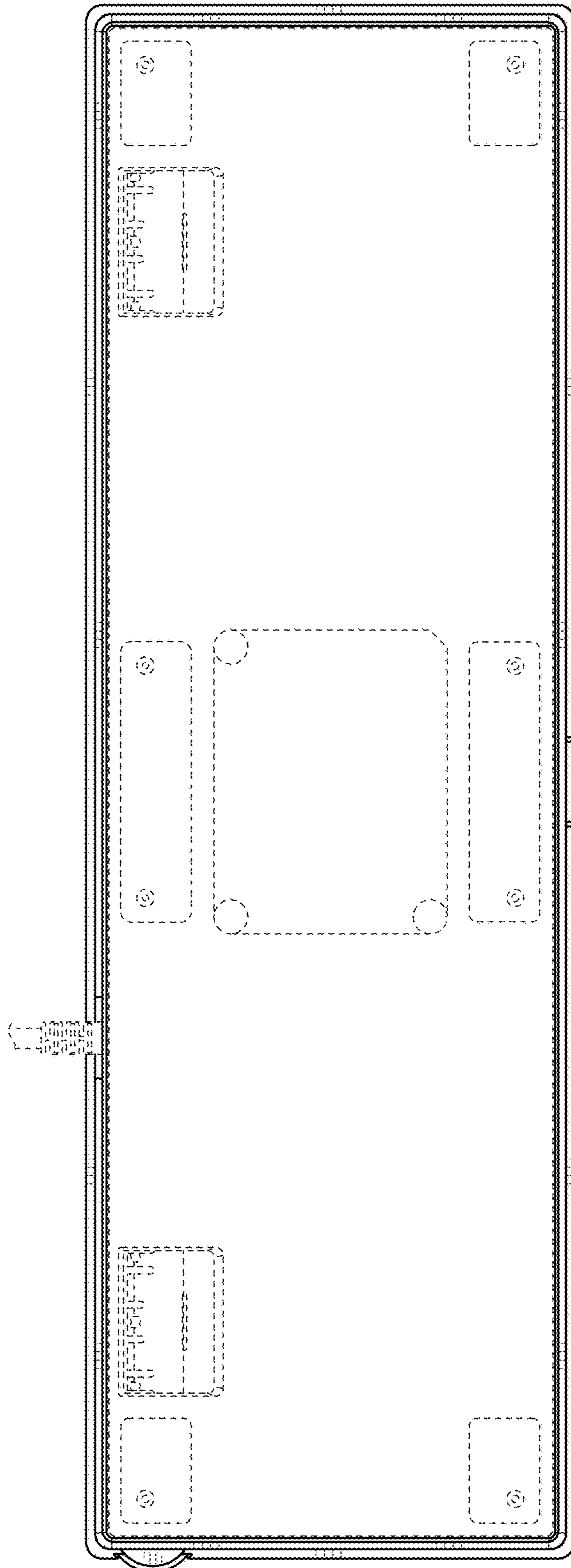


FIG. 3

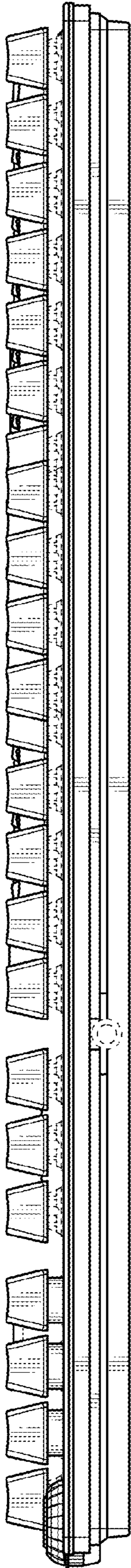


FIG. 4

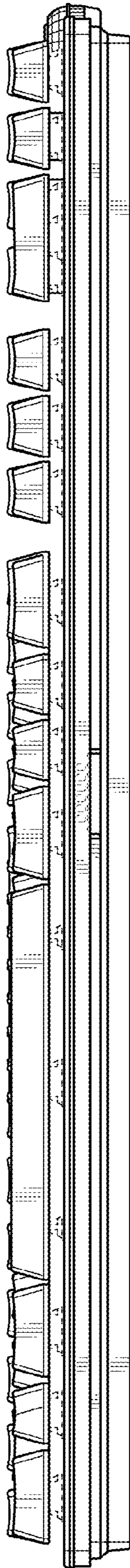


FIG. 5

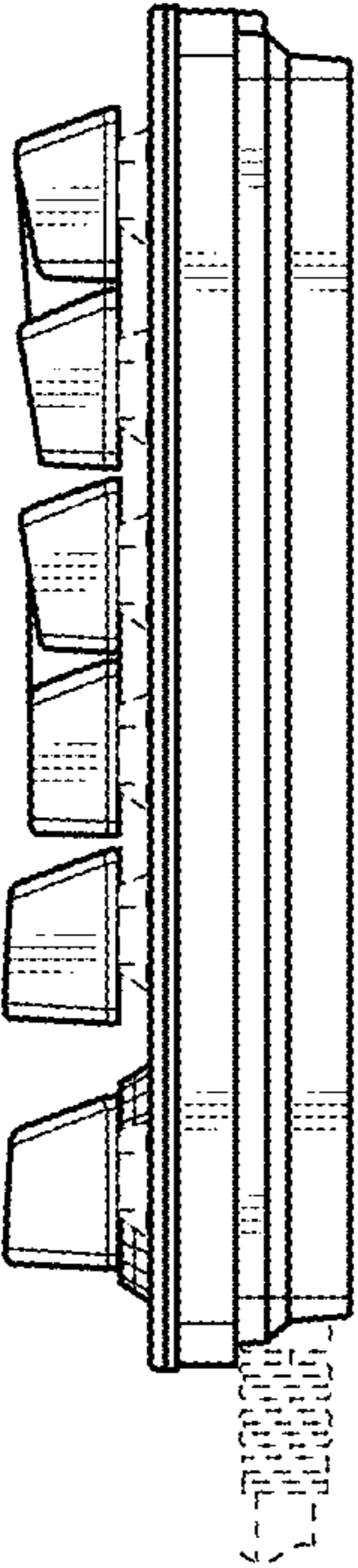


FIG. 6

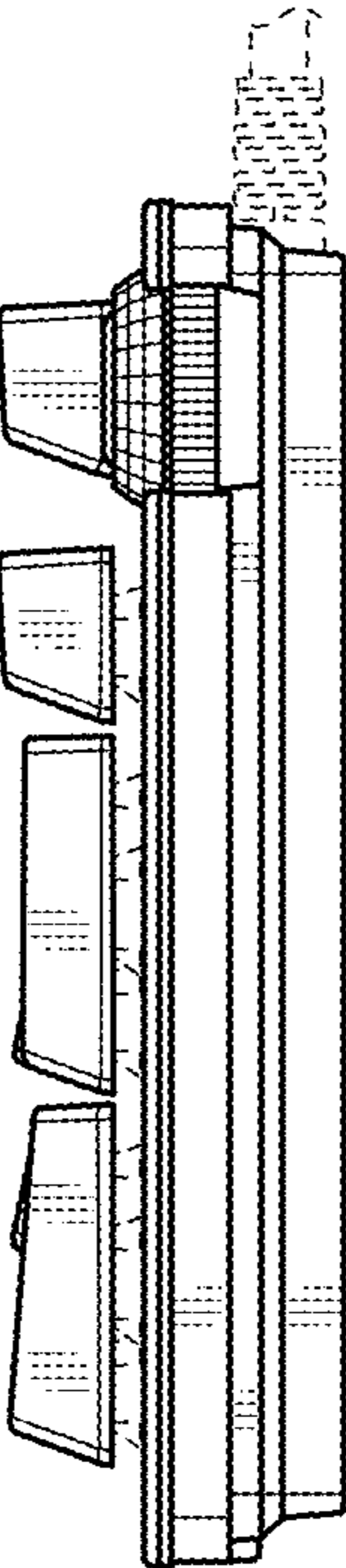


FIG. 7