



US00D881188S

(12) **United States Design Patent**
Huang

(10) **Patent No.:** **US D881,188 S**

(45) **Date of Patent:** **** Apr. 14, 2020**

(54) **BLUETOOTH ADAPTER**

(71) Applicant: **Huifeng Huang**, Huizhou (CN)

(72) Inventor: **Huifeng Huang**, Huizhou (CN)

(**) Term: **15 Years**

(21) Appl. No.: **29/650,468**

(22) Filed: **Jun. 7, 2018**

(51) **LOC (12) Cl.** **14-02**

(52) **U.S. Cl.**

USPC **D14/372**

(58) **Field of Classification Search**

USPC D14/372, 496, 432, 371, 125, 126, 129,
D14/299; D16/300-342; 351/158, 153,
351/144; 345/7-9, 905; 455/344;
348/115, 53, 121, 739

CPC G02B 27/017; G02B 27/0158; G02B
27/0161; G02B 27/0181; G02B 27/0185;
G02B 27/0189

See application file for complete search history.

(56) **References Cited**

U.S. PATENT DOCUMENTS

D248,158 S * 6/1978 Read D14/205
D819,716 S * 6/2018 Kim D16/208

D852,191 S * 6/2019 Chan D14/372
D857,694 S * 8/2019 Natsume D14/372
D863,299 S * 10/2019 Jacobsen D14/372
D865,762 S * 11/2019 Lau D14/372
D875,161 S * 2/2020 Kawa D16/208
D875,730 S * 2/2020 Lau D14/372

* cited by examiner

Primary Examiner — Austin Murphy

(74) *Attorney, Agent, or Firm* — Bayramoglu Law Offices
LLC

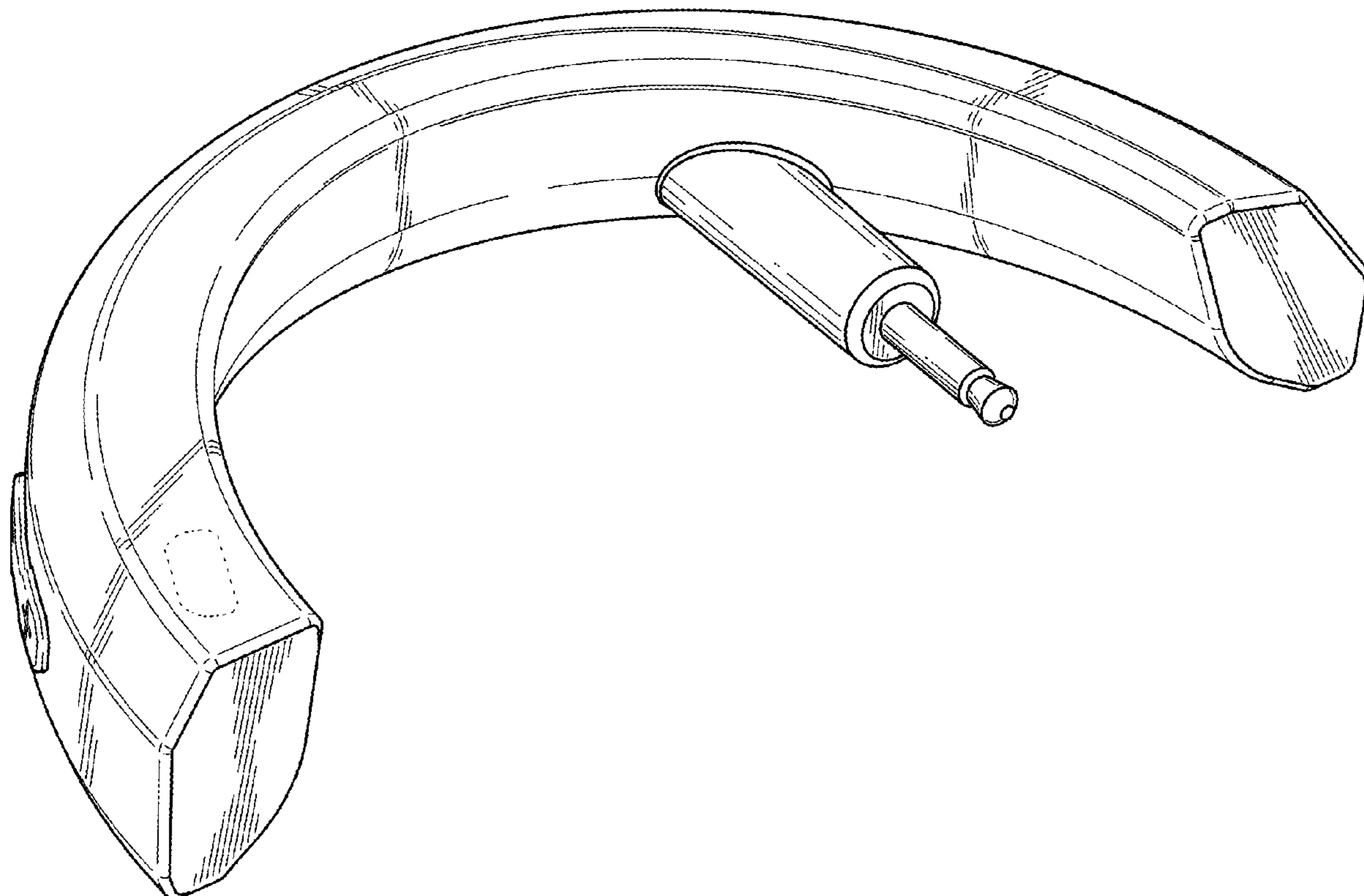
(57) **CLAIM**

The ornamental design for a Bluetooth adapter, as shown
and described.

DESCRIPTION

FIG. 1 is a perspective view of a Bluetooth adapter showing
the new design;
FIG. 2 is another perspective view thereof;
FIG. 3 is a front view thereof;
FIG. 4 is a rear view thereof;
FIG. 5 is a left side view thereof;
FIG. 6 is a right side view thereof;
FIG. 7 is a top view thereof; and,
FIG. 8 is a bottom view thereof.

1 Claim, 8 Drawing Sheets



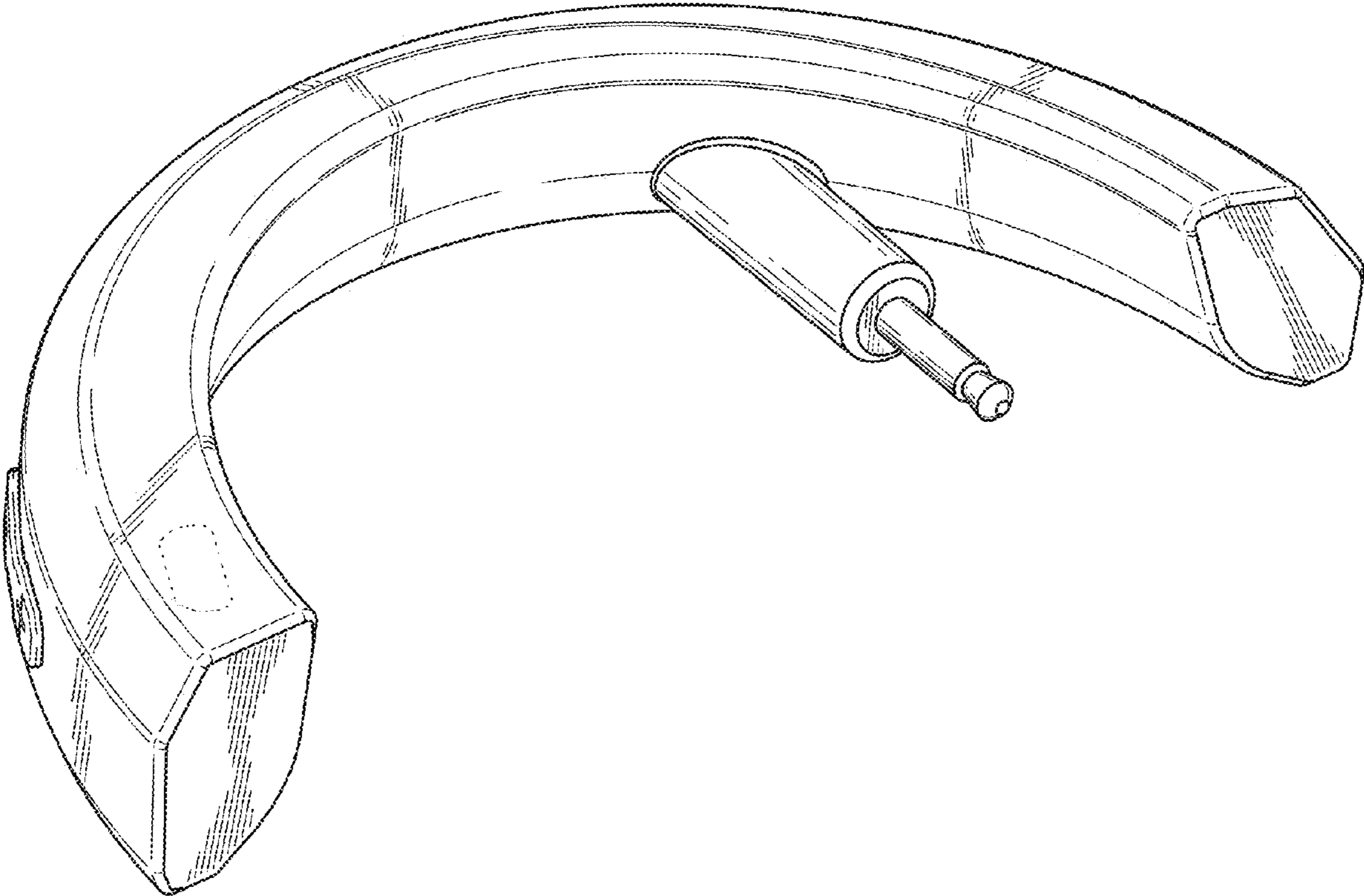


FIG. 1

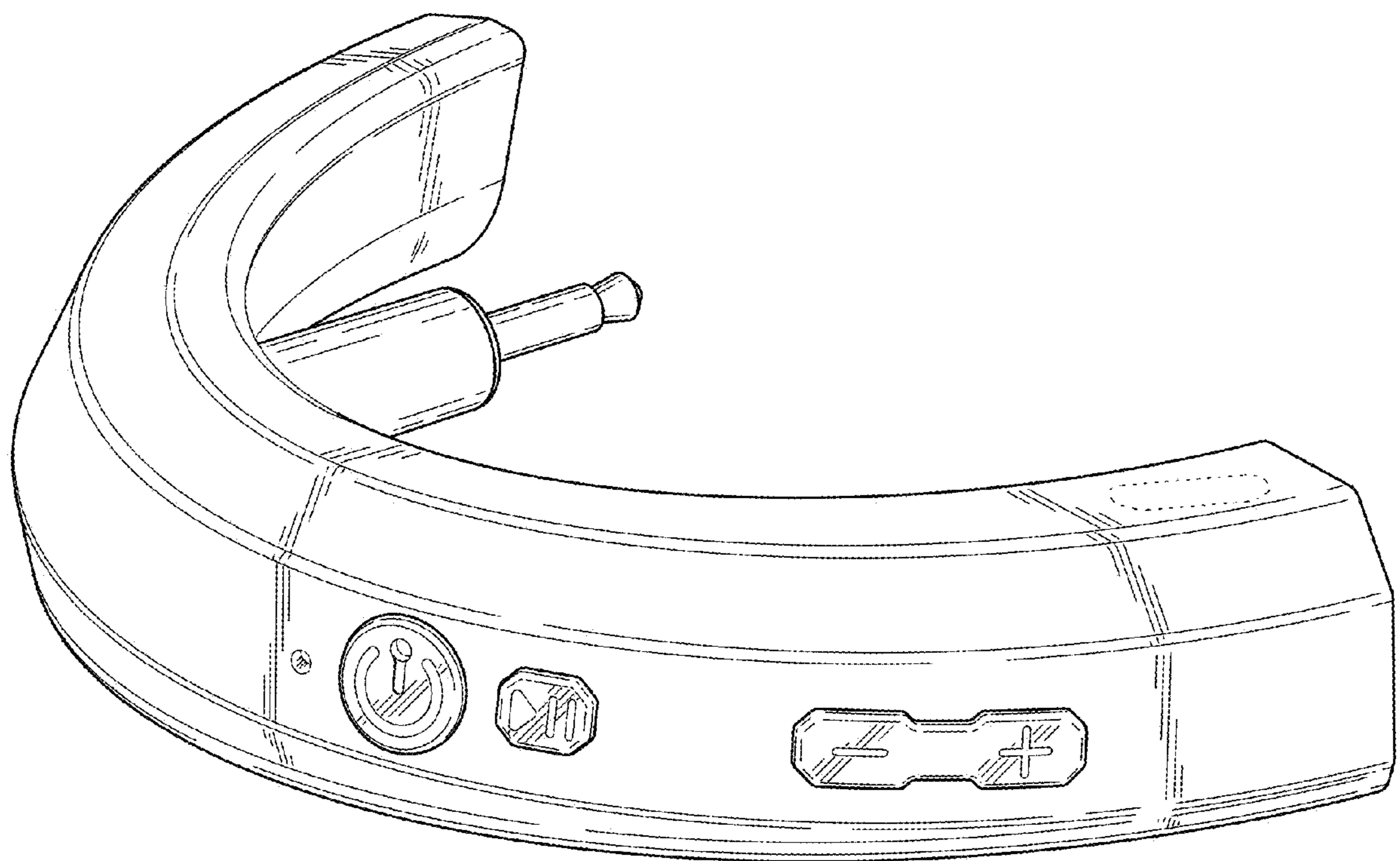


FIG. 2

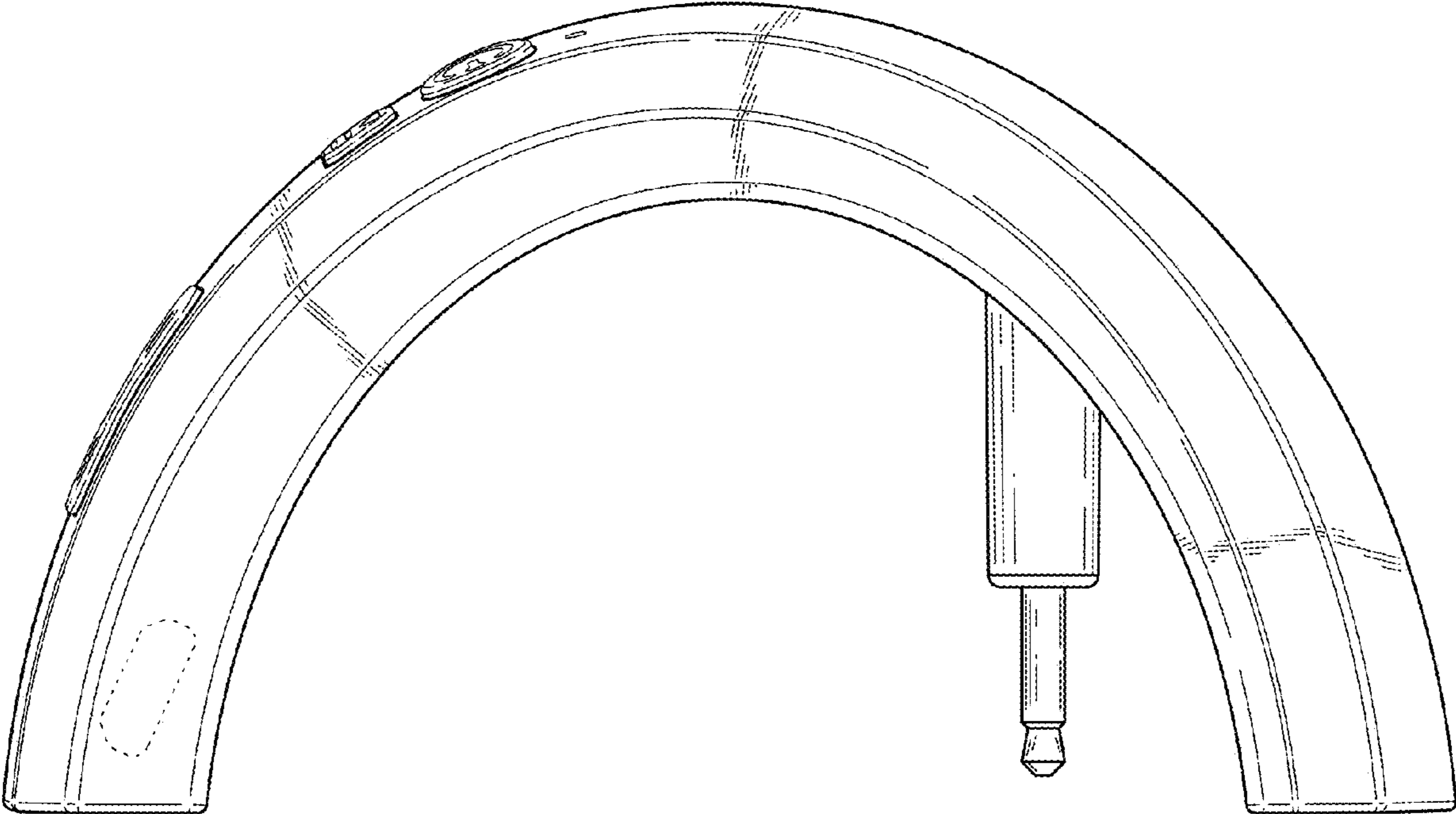


FIG. 3

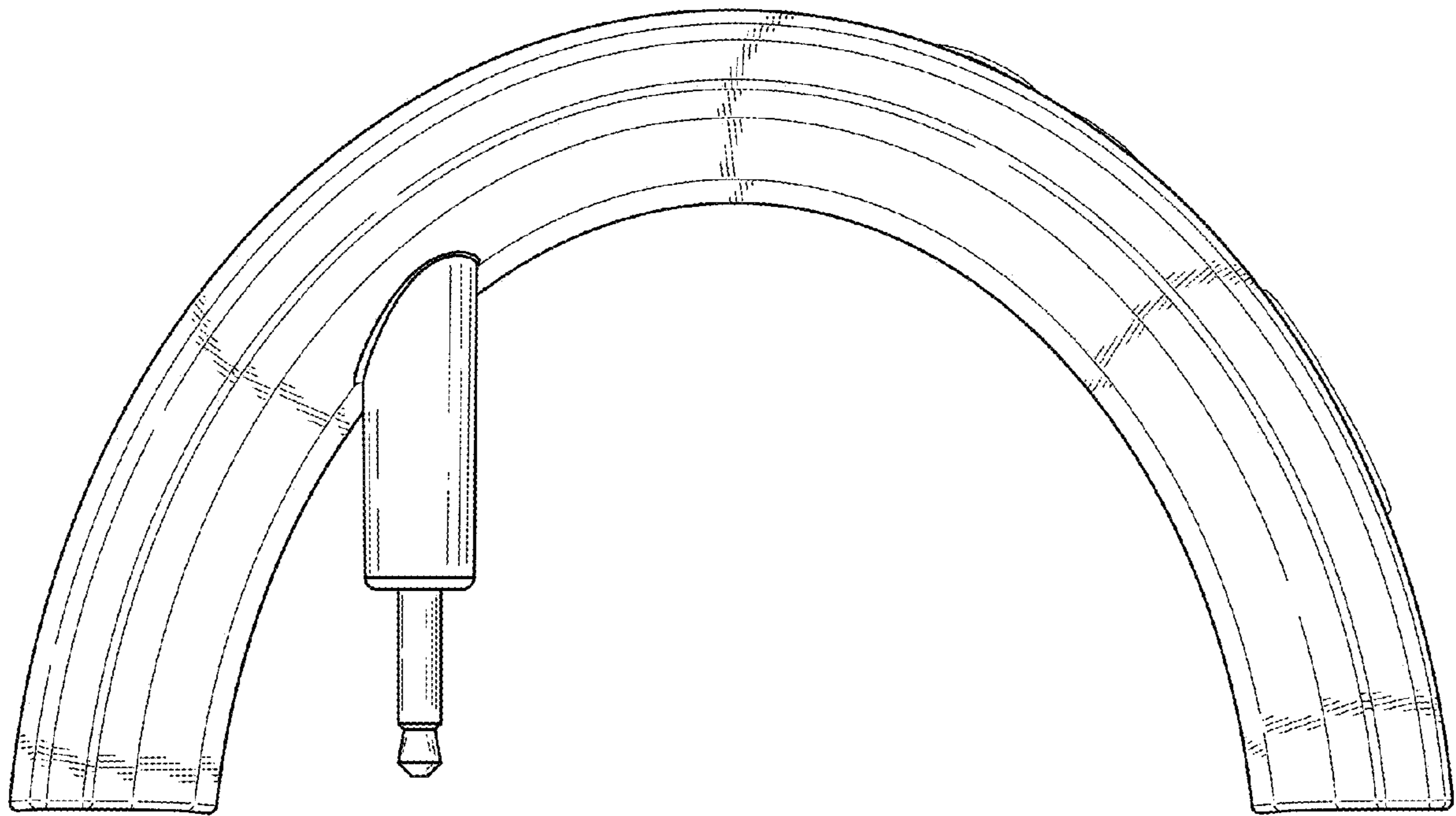


FIG. 4

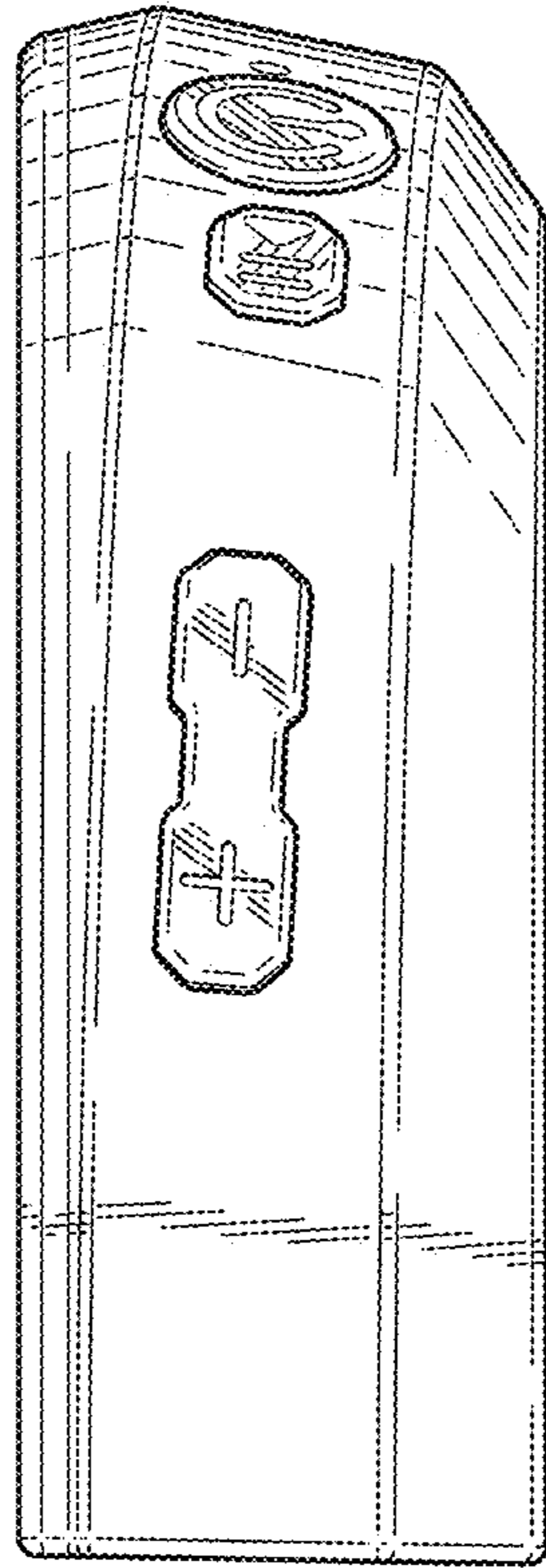


FIG. 5

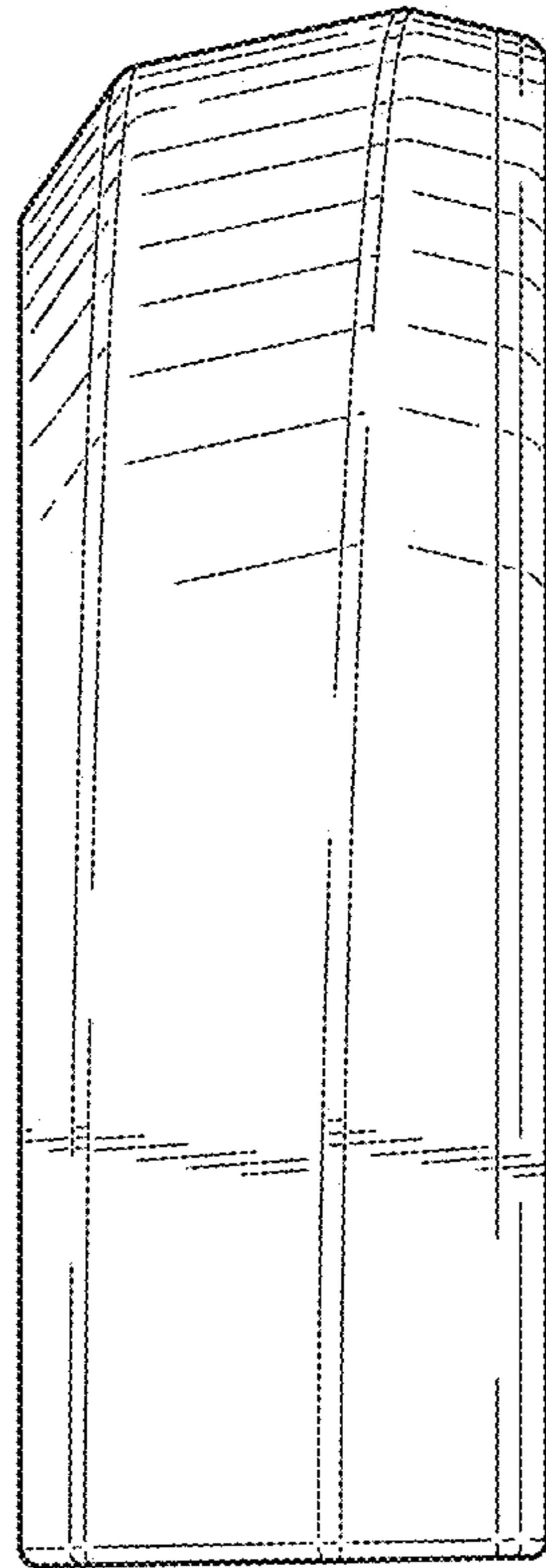


FIG. 6

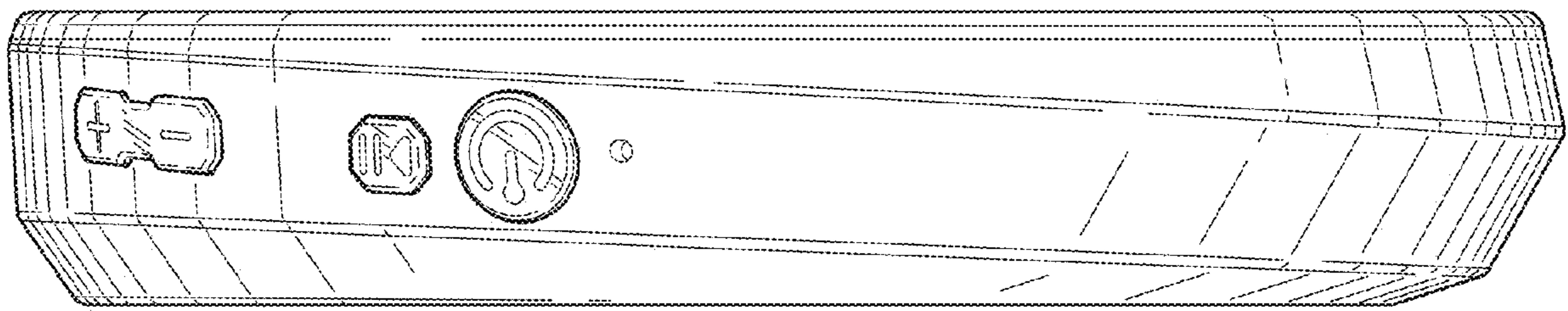


FIG. 7

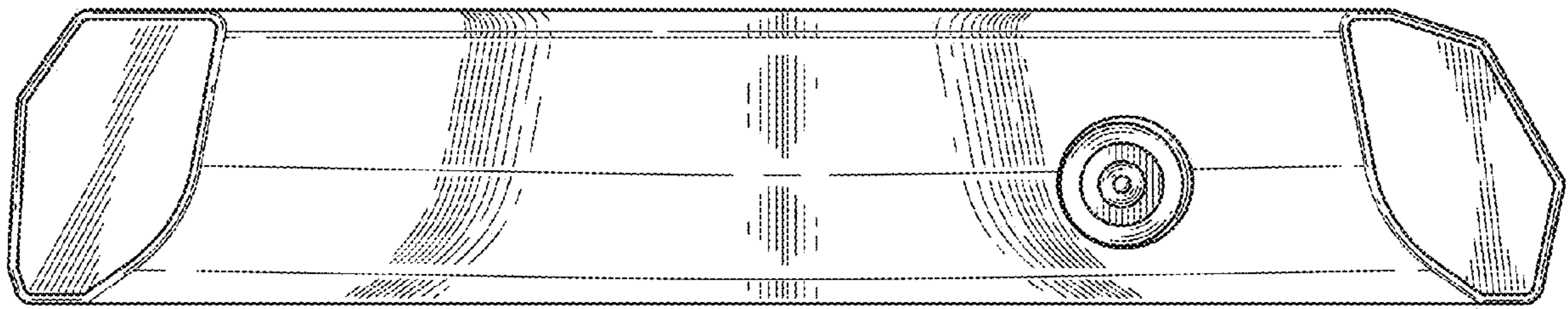


FIG. 8