



US00D881187S

(12) **United States Design Patent** (10) **Patent No.:** **US D881,187 S**
Shin et al. (45) **Date of Patent:** **** Apr. 14, 2020**

(54) **HOME AUTOMATION HUB**

(56) **References Cited**

(71) Applicant: **LG ELECTRONICS INC.**, Seoul (KR)

U.S. PATENT DOCUMENTS

(72) Inventors: **Daekee Shin**, Seoul (KR); **Hophil Lee**, Seoul (KR); **Younghwan Lee**, Seoul (KR)

D600,216 S *	9/2009	Glassman	D13/168
D603,374 S *	11/2009	Peters	D14/216
D701,831 S *	4/2014	Park	D13/108
D728,654 S *	5/2015	Lee	D16/202
D741,931 S *	10/2015	Huang	D16/202
D743,941 S *	11/2015	Patsis	D14/216
D766,878 S *	9/2016	Park	D14/216
D781,274 S *	3/2017	Kim	D14/242
D783,002 S *	4/2017	Pool	D14/218

(73) Assignee: **LG ELECTRONICS INC.**, Seoul (KR)

(Continued)

(**) Term: **15 Years**

Primary Examiner — Melanie H Tung

(21) Appl. No.: **35/504,042**

Assistant Examiner — Bao-Yen T Nguyen

(22) Filed: **May 26, 2017**

(74) *Attorney, Agent, or Firm* — Birch, Stewart, Kolasch & Birch, LLP

(80) **Hague Agreement Data**

(57) **CLAIM**

Int. Filing Date: **May 26, 2017**

The ornamental design for a home automation hub, as shown and described.

Int. Reg. No.: **DM/098552**

Int. Reg. Date: **May 26, 2017**

Int. Reg. Pub. Date: **Dec. 1, 2017**

DESCRIPTION

(30) **Foreign Application Priority Data**

Nov. 28, 2016 (KR) 30-2016-0057191

(51) **LOC (12) Cl.** **14-02**

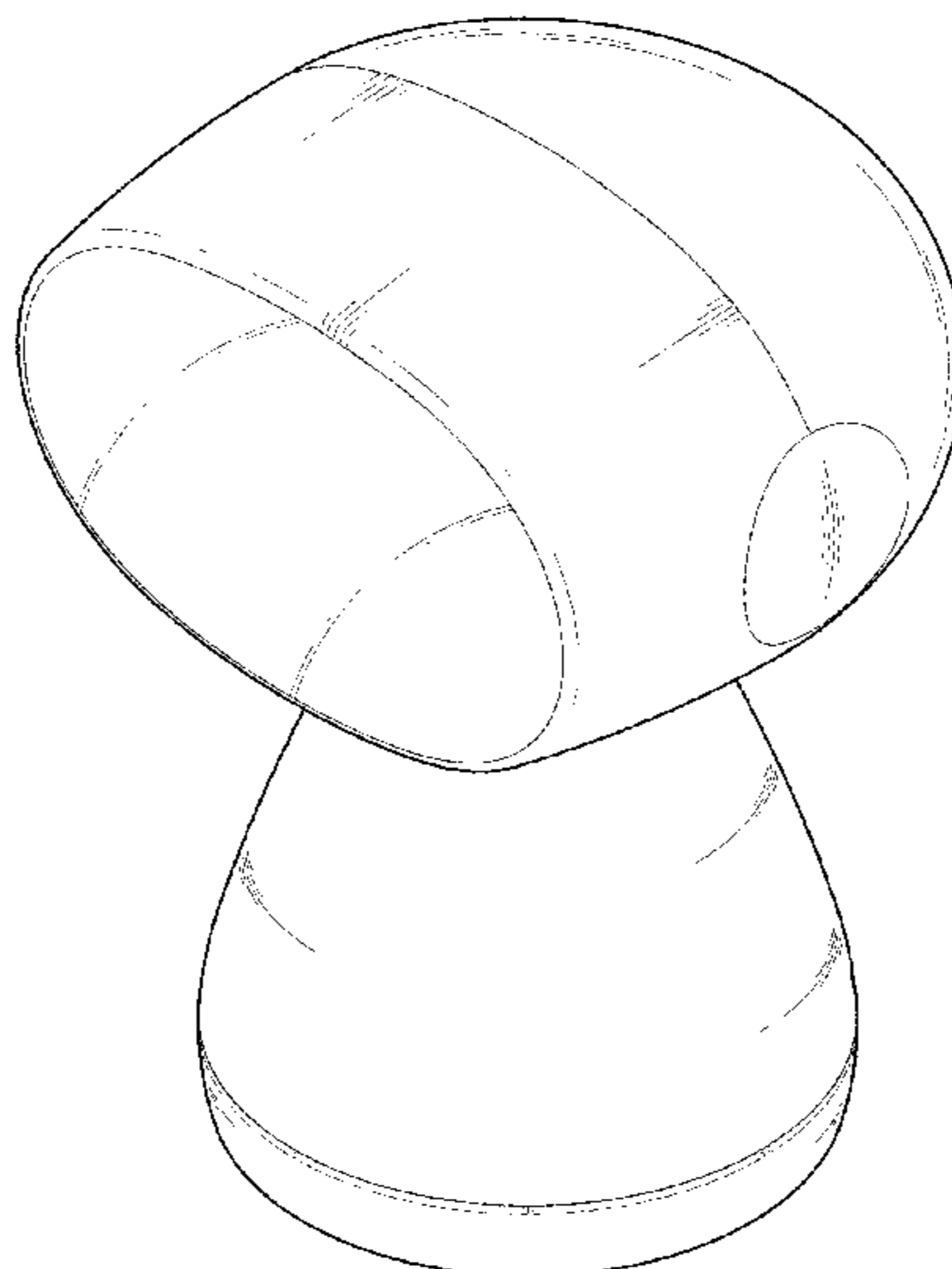
(52) **U.S. Cl.**
USPC **D14/358**

(58) **Field of Classification Search**
USPC D14/188, 162, 167-169, 125, 126,
D14/194-198, 214, 217, 257, 265, 299,
D14/351, 356, 357, 358, 361, 362, 365,
D14/367, 370, 388, 432, 496
CPC . H03F 1/26; H03F 1/3247; H03F 3/24; H03F
3/181; H03F 3/189; H03F 3/45197; H03F
2200/03; H03F 2200/324; H03F
2200/336; H01Q 1/02; H01Q 1/2291;
H01Q 1/246; H04B 1/38

See application file for complete search history.

1. Home automation hub
1.1 : Perspective
1.2 : Front
1.3 : Back
1.4 : Left
1.5 : Top
1.6 : Bottom
1.7 : Perspective, in position of use
The broken lines depict portions of the home automation hub that form no part of the claimed design. Reproduction **1.1** is a front perspective view of the home automation hub; reproduction **1.2** is a front view thereof; reproduction **1.3** is a back view thereof; reproduction **1.4** is a left view thereof where the right view is a mirror image; reproduction **1.5** is a top view thereof; reproduction **1.6** is a bottom view thereof, the bottom surface being flat; and reproduction **1.7** is a perspective view thereof showing an example of the usage of the display part in operation.

1 Claim, 7 Drawing Sheets



(56)

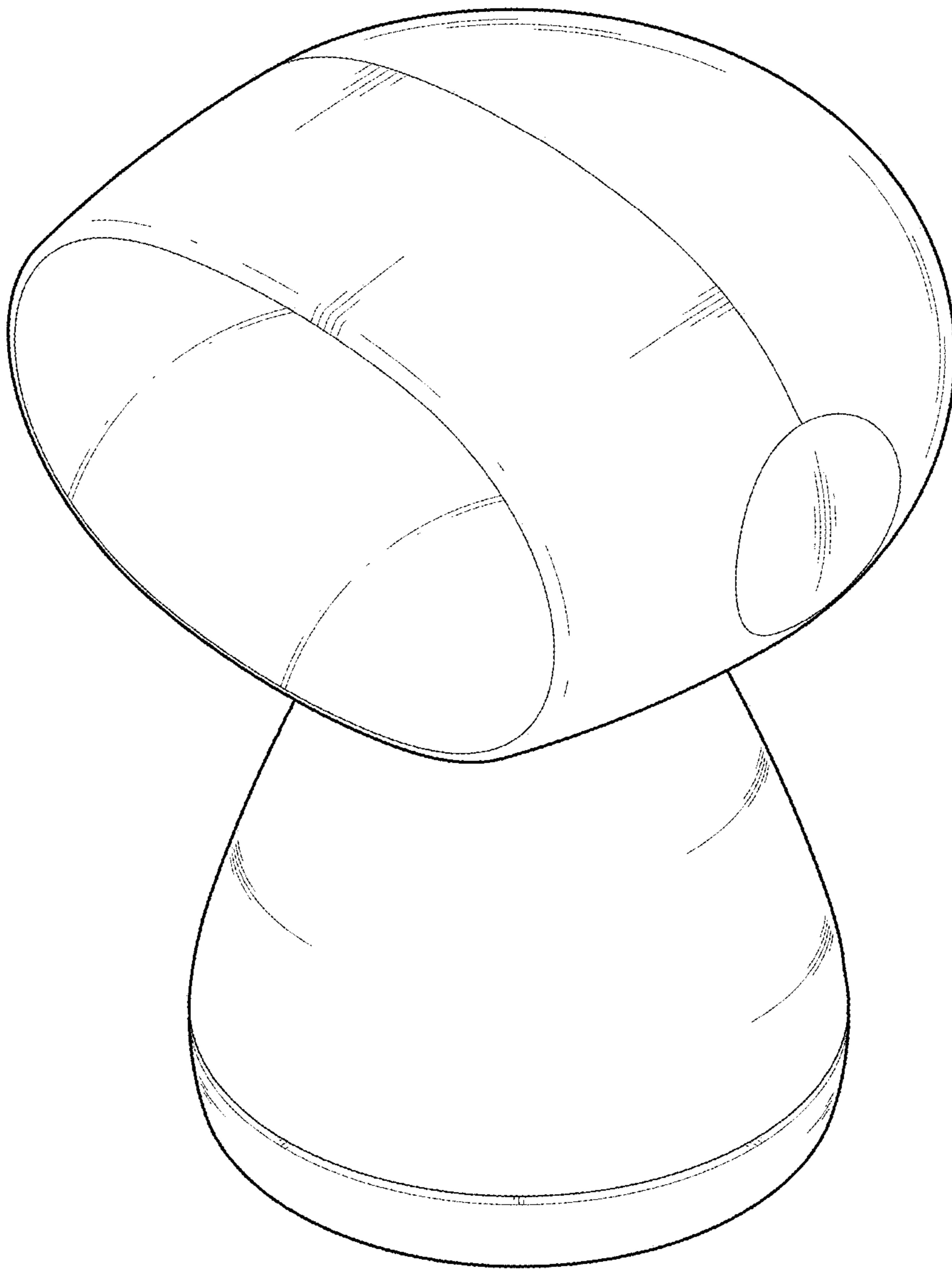
References Cited

U.S. PATENT DOCUMENTS

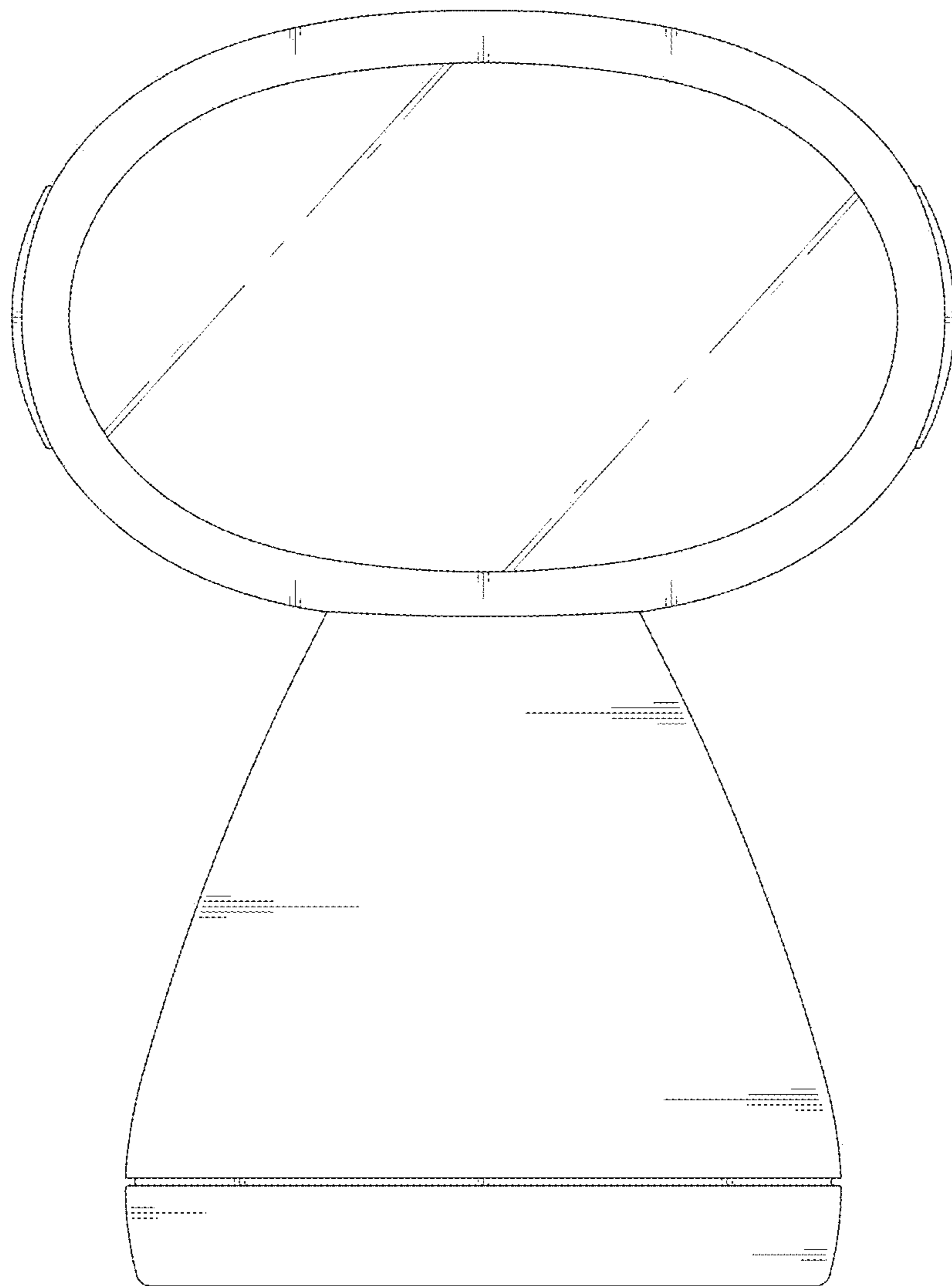
D800,702 S * 10/2017 Muller D14/218
D801,307 S * 10/2017 Kim D14/216
D811,392 S * 2/2018 Lu D14/358
D822,716 S * 7/2018 Mangum D14/496
D836,569 S * 12/2018 Kim D13/168
2017/0251314 A1* 8/2017 Pye, Jr. H04R 27/00

* cited by examiner

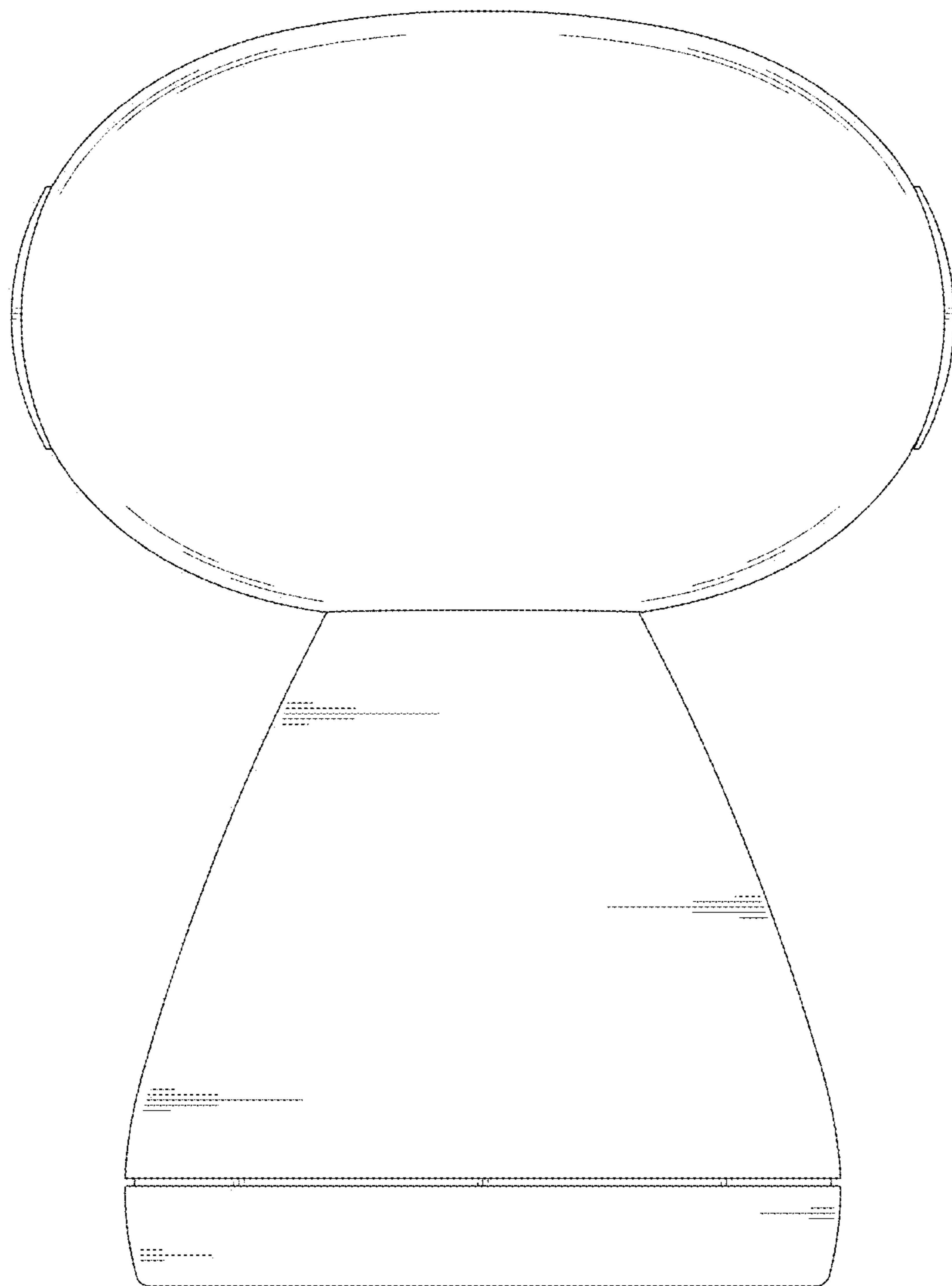
1.1



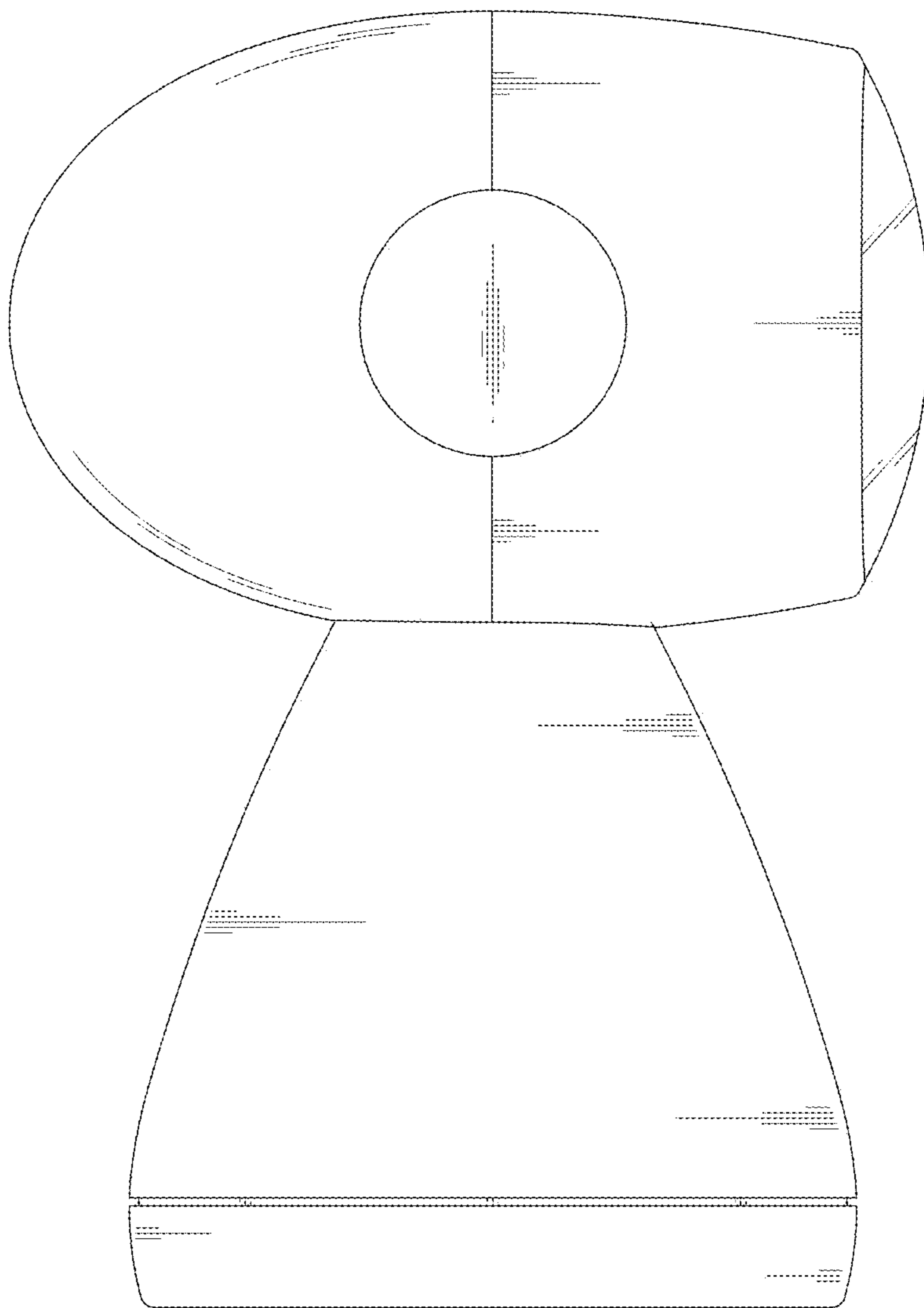
1.2



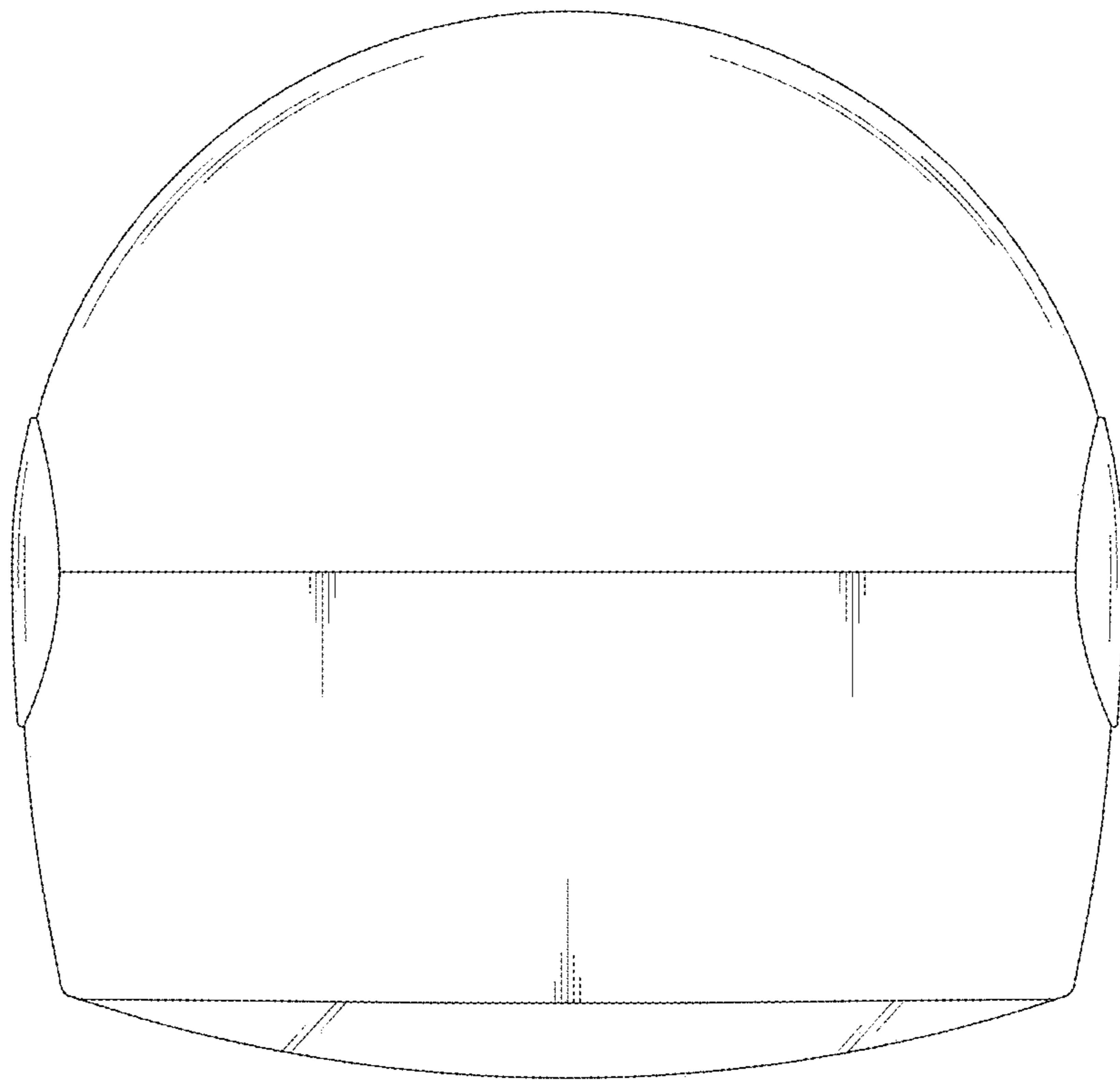
1.3



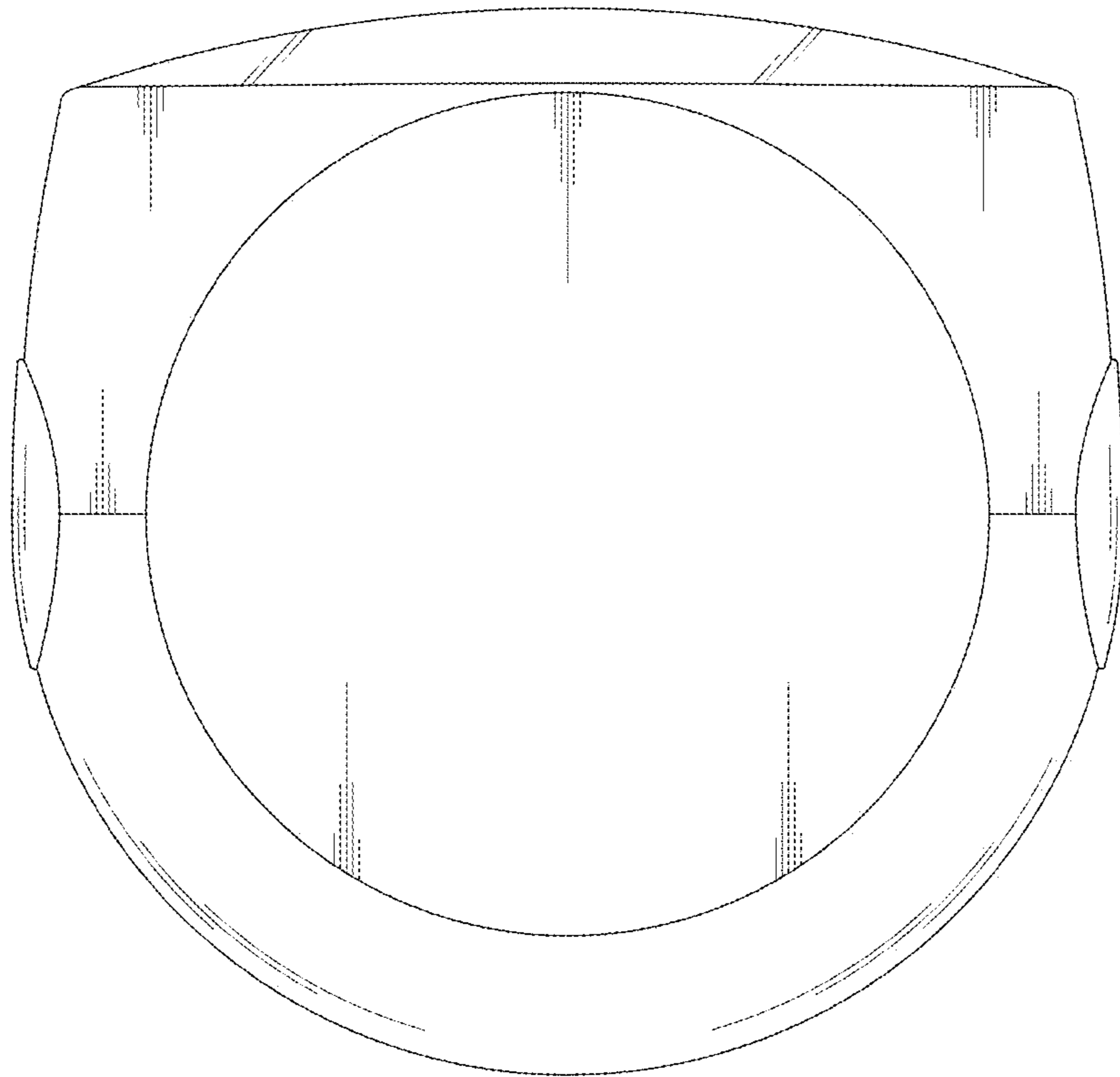
1.4



1.5



1.6



1.7

