



US00D881186S

(12) **United States Design Patent** (10) **Patent No.:** **US D881,186 S**
Peng et al. (45) **Date of Patent:** **** *Apr. 14, 2020**

(54) **DATA STORAGE DEVICE**

- (71) Applicant: **Western Digital Technologies, Inc.**, Irvine, CA (US)
- (72) Inventors: **Steven Tzu-Yen Peng**, Irvine, CA (US); **Gregory A. Vanderpol**, Long Beach, CA (US); **Mark F. Sterzick**, Torrance, CA (US); **Yves Behar**, San Francisco, CA (US); **William Stuart**, San Francisco, CA (US); **Mirko Ihrig**, Hamburg (DE); **Jueun Choi**, Seoul (KR)
- (73) Assignee: **Western Digital Technologies, Inc.**, San Jose, CA (US)
- (*) Notice: This patent is subject to a terminal disclaimer.
- (**) Term: **15 Years**
- (21) Appl. No.: **29/599,985**
- (22) Filed: **Apr. 7, 2017**

Related U.S. Application Data

- (63) Continuation-in-part of application No. 29/564,690, filed on May 14, 2016, now Pat. No. Des. 814,460.

(30) **Foreign Application Priority Data**

May 14, 2016 (CN) 2016 3 0179770

- (51) **LOC (12) Cl.** **14-02**
- (52) **U.S. Cl.**
USPC **D14/349**

(58) **Field of Classification Search**

USPC D14/240, 300, 301, 308, 313, 314, D14/348-356, 364-368, 441-446, 188;
(Continued)

(56) **References Cited**

U.S. PATENT DOCUMENTS

- D395,424 S 6/1998 Nakayama
 - D460,965 S 7/2002 O'Brien
- (Continued)

OTHER PUBLICATIONS

U.S. Appl. No. 29/564,687, filed May 14, 2016, Behar, et al.

(Continued)

Primary Examiner — Bridget L Eland

(74) *Attorney, Agent, or Firm* — Brinks Gilson & Lione

(57) **CLAIM**

The ornamental design for a data storage device, as shown and described.

DESCRIPTION

FIG. 1 is a top, back, and side perspective view of a first embodiment of a data storage device embodying the new design;

FIG. 2 is a top view thereof;

FIG. 3 is a bottom view thereof;

FIG. 4 is a first side view thereof;

FIG. 5 is a second side view thereof;

FIG. 6 is a back view thereof; and

FIG. 7 is a front view thereof.

FIG. 8 is a top, back, and side perspective view of a second embodiment of a data storage device embodying the new design;

FIG. 9 is a top view thereof;

FIG. 10 is a bottom view thereof;

FIG. 11 is a first side view thereof;

FIG. 12 is a second side view thereof;

FIG. 13 is a back view thereof; and,

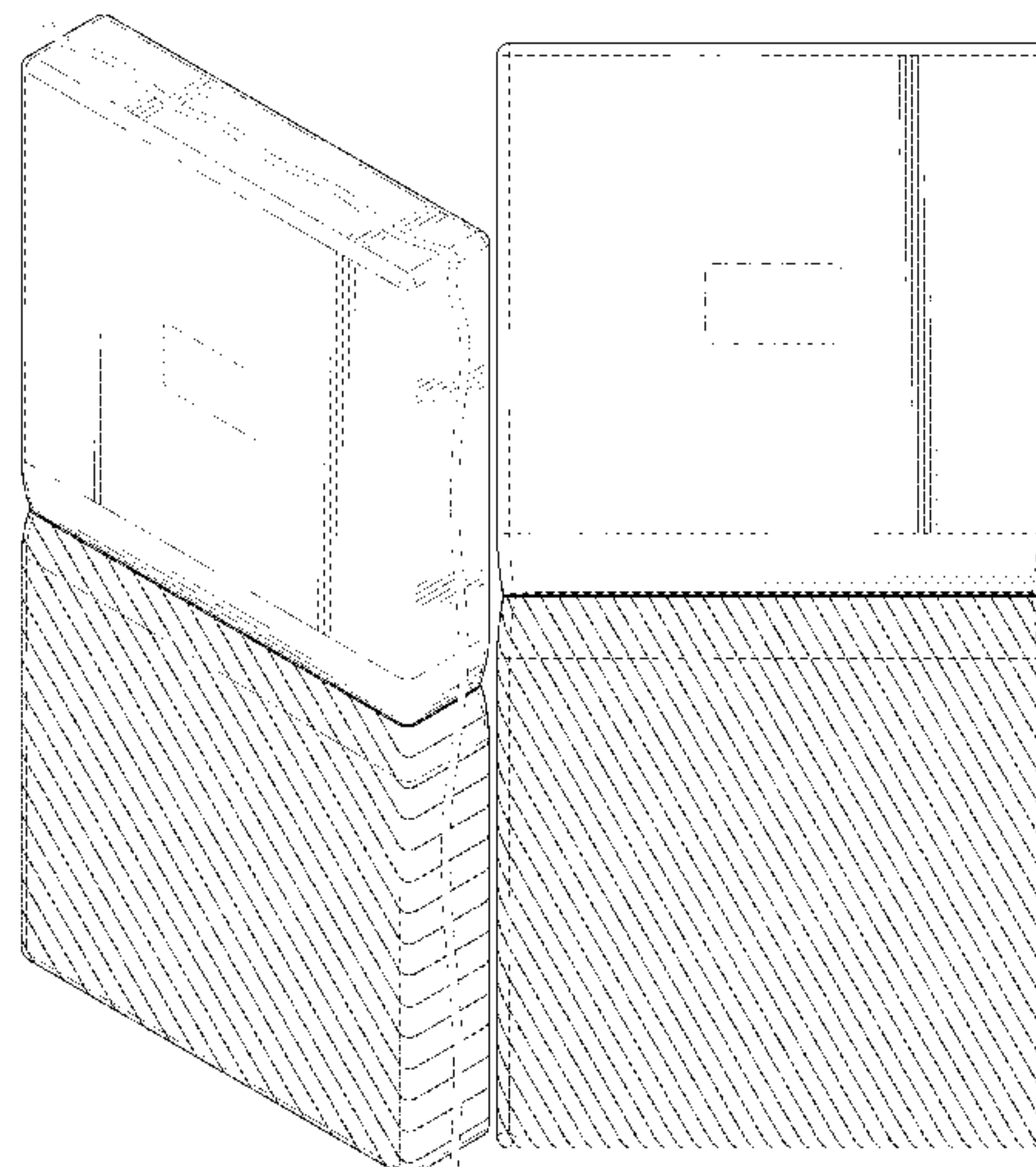
FIG. 14 is a front view thereof.

The thin long-dash broken lines shown in the views are included for the purpose of illustrating portions of the data storage device that form no part of the claimed design.

The thin short-dash broken lines show a symbolic break in the data storage device and form no part of the claimed design. The appearance of any portion of the article between the break lines forms no part of the claimed design.

The thicker short-dash broken-line hatching applied to the bottom half of the data storage device represents a contrast in appearance.

1 Claim, 10 Drawing Sheets



(58) **Field of Classification Search**

USPC D13/123, 158, 162, 184, 199;
 312/223.1–223.3, 351.11;
 360/99.01–99.12; 369/34.01–36.01;
 361/679.31–679.33, 679.37, 679.39,
 361/679.46, 679.53, 679.4, 679.41, 727
 CPC . G06F 1/20; G06F 1/181; G06F 1/187; G06F
 1/183; G06F 1/184; G06F 1/16; H05K
 7/16; H05K 7/1424; H05K 7/1409; H05K
 7/20; H05K 7/20545; H05K 7/20727;
 H05K 7/1425; H05K 7/1488; H05K
 7/183; H05K 7/14; H05K 5/00; H05K
 7/00; H05H 7/20; G11B 33/126; G11B
 33/128; G11B 33/08; G11B 33/02
 See application file for complete search history.

(56) **References Cited**

U.S. PATENT DOCUMENTS

D486,479 S 2/2004 Chung
 6,741,467 B2 5/2004 Coglitore
 D537,820 S * 3/2007 Hsu D14/480.1
 D541,274 S * 4/2007 Wang D14/356
 D563,953 S * 3/2008 Tosh D14/349
 D563,994 S 3/2008 Liu
 D581,412 S 11/2008 Yang

D595,279 S 6/2009 Chiba et al.
 D602,019 S 10/2009 Wang
 D602,934 S 10/2009 Cao
 D603,834 S * 11/2009 Lyman D14/155
 D622,713 S 8/2010 Chung et al.
 D647,089 S 10/2011 Chen et al.
 D689,050 S 9/2013 Chong
 D695,289 S 12/2013 Yamazaki
 D711,891 S * 8/2014 Emami D14/480.5
 D717,297 S 11/2014 Koberling et al.
 D728,539 S 5/2015 Dubrule et al.
 D800,138 S * 10/2017 Brown D14/480.5
 D806,089 S * 12/2017 Shim D14/480.5
 D811,391 S * 2/2018 Behar D14/349
 D814,460 S * 4/2018 Behar D14/349
 D817,961 S * 5/2018 Han D14/426
 D827,649 S * 9/2018 Shim D14/435.1
 D829,697 S * 10/2018 Yaegashi D14/240
 D831,669 S * 10/2018 Shim D14/480.5
 D831,670 S * 10/2018 Shim D14/480.5
 2003/0122457 A1 7/2003 Diaz et al.
 2011/0069436 A1 3/2011 Jian

OTHER PUBLICATIONS

U.S. Appl. No. 29/564,690, filed May 14, 2016, Behar, et al.
 U.S. Appl. No. 29/629,700, filed Dec. 14, 2017, Behar et al.
 U.S. Appl. No. 29/629,706, filed Dec. 14, 2017, Behar et al.

* cited by examiner

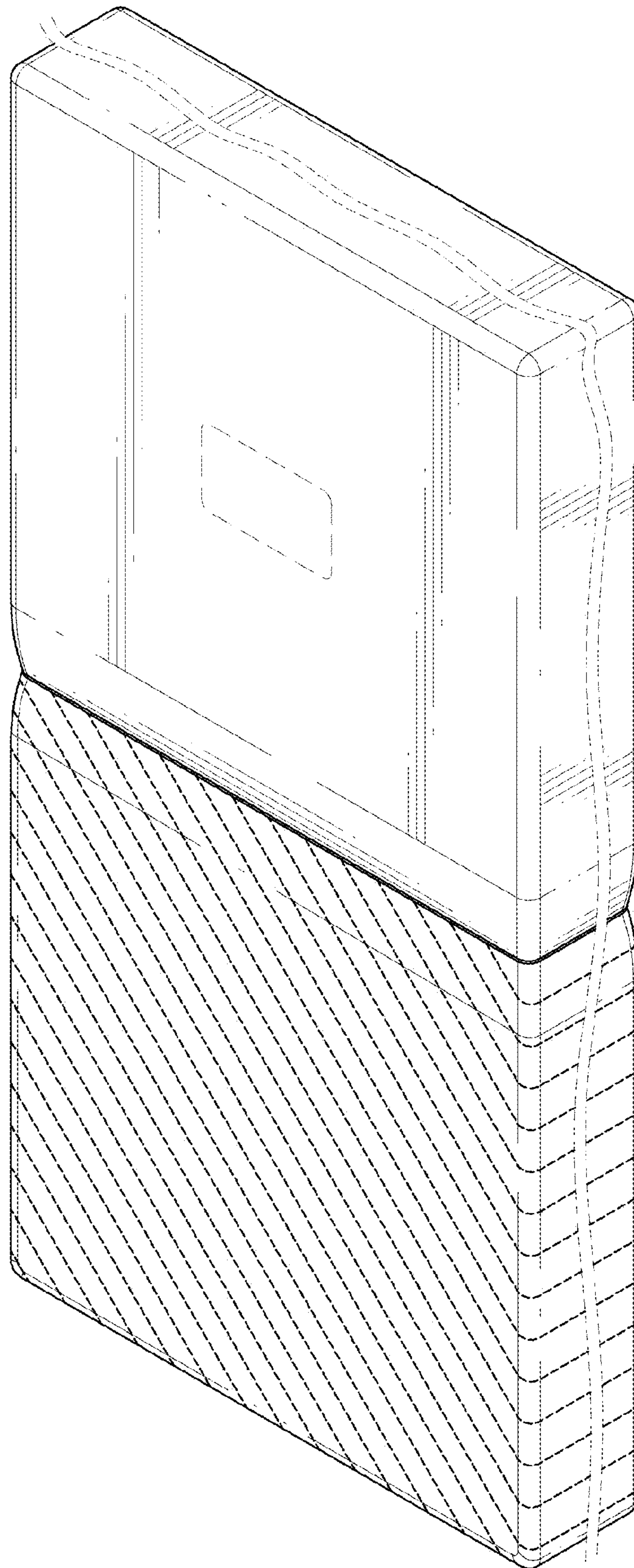


FIG. 1

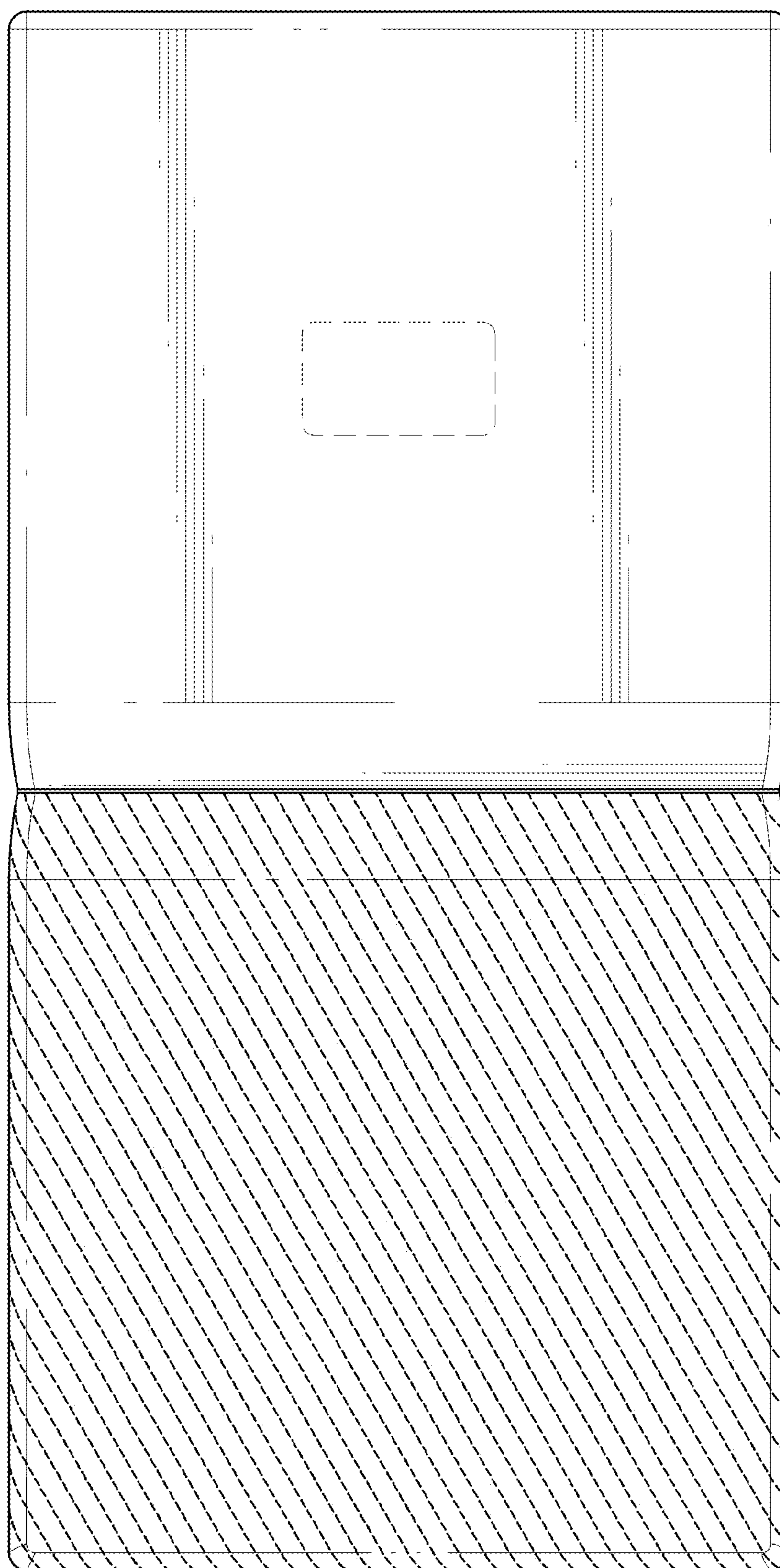


FIG. 2

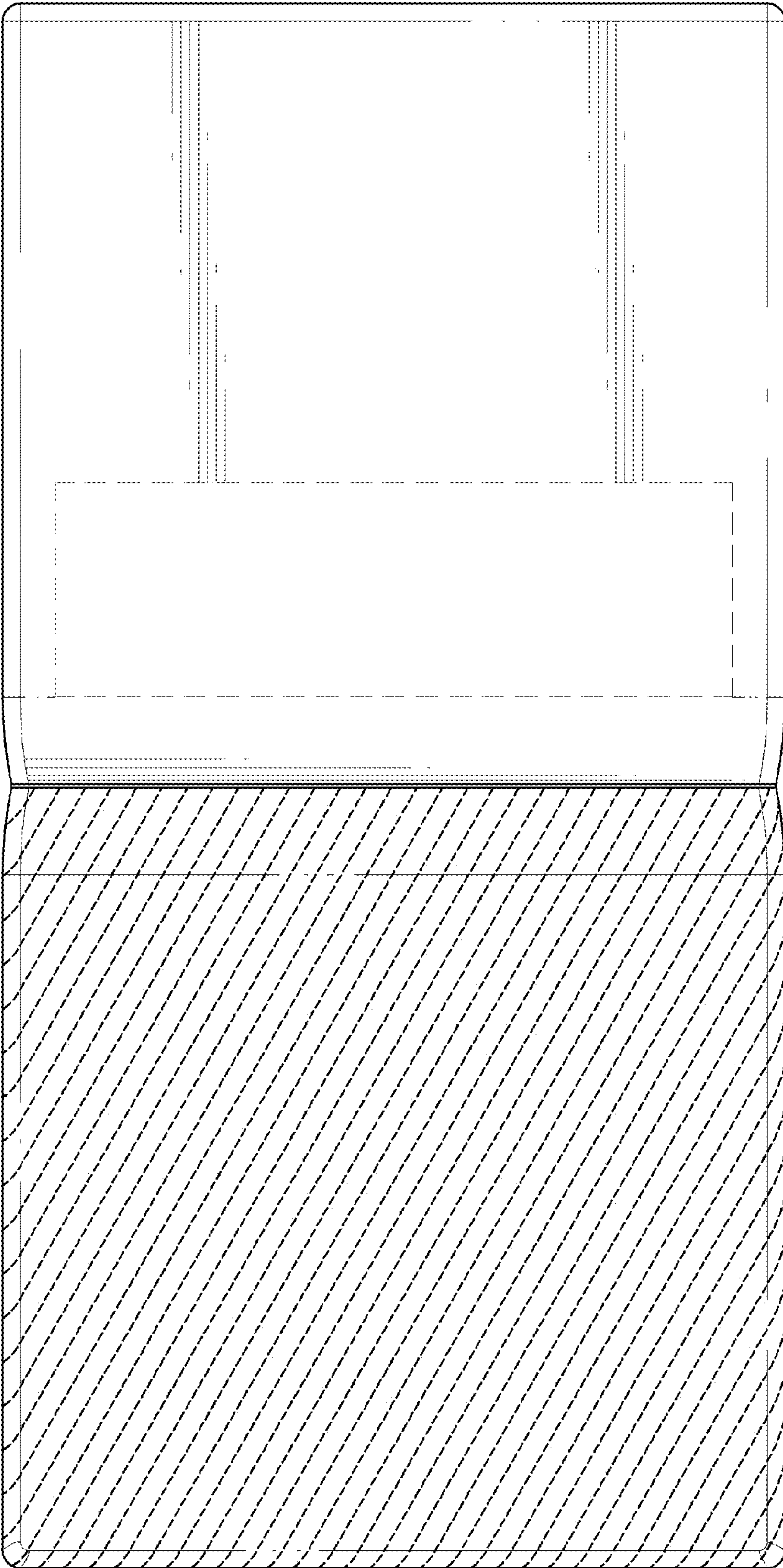


FIG. 3

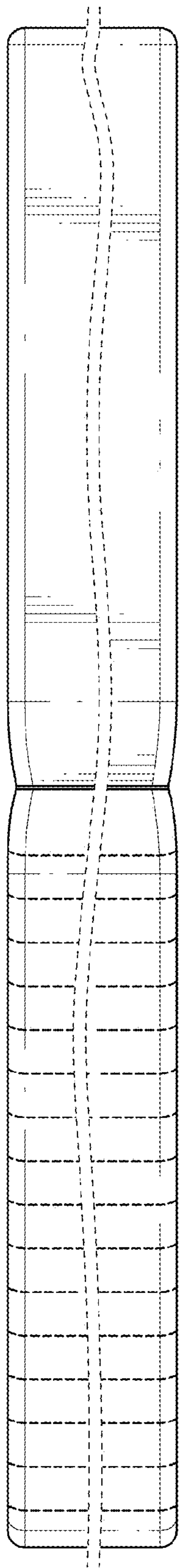


FIG. 4

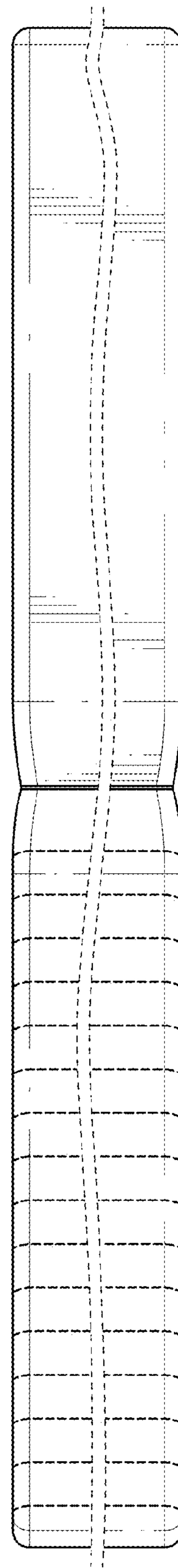


FIG. 5

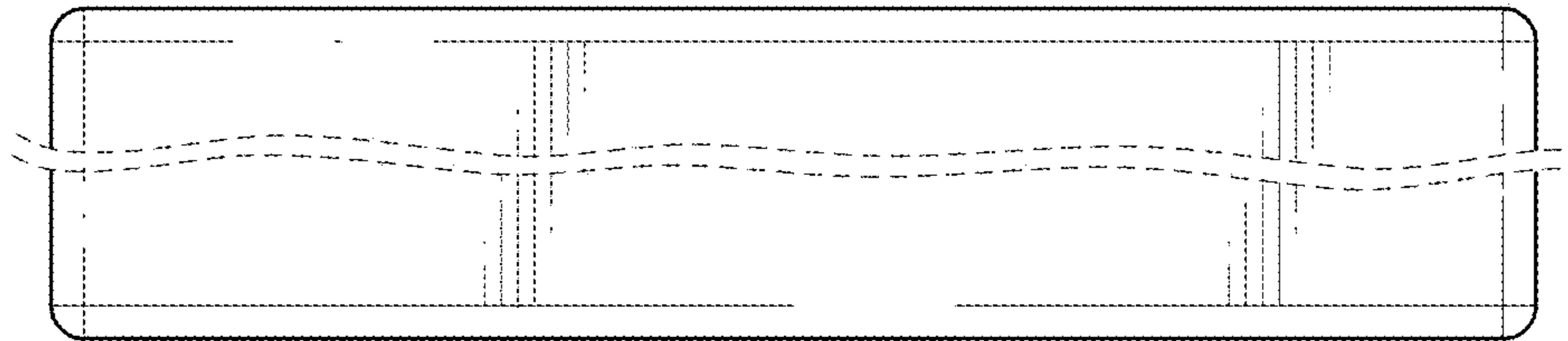


FIG. 6

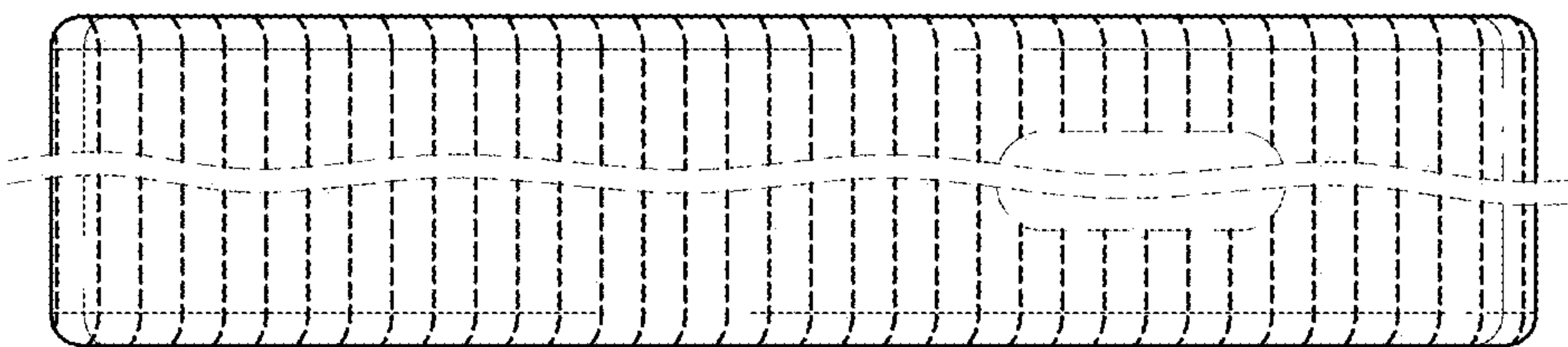


FIG. 7

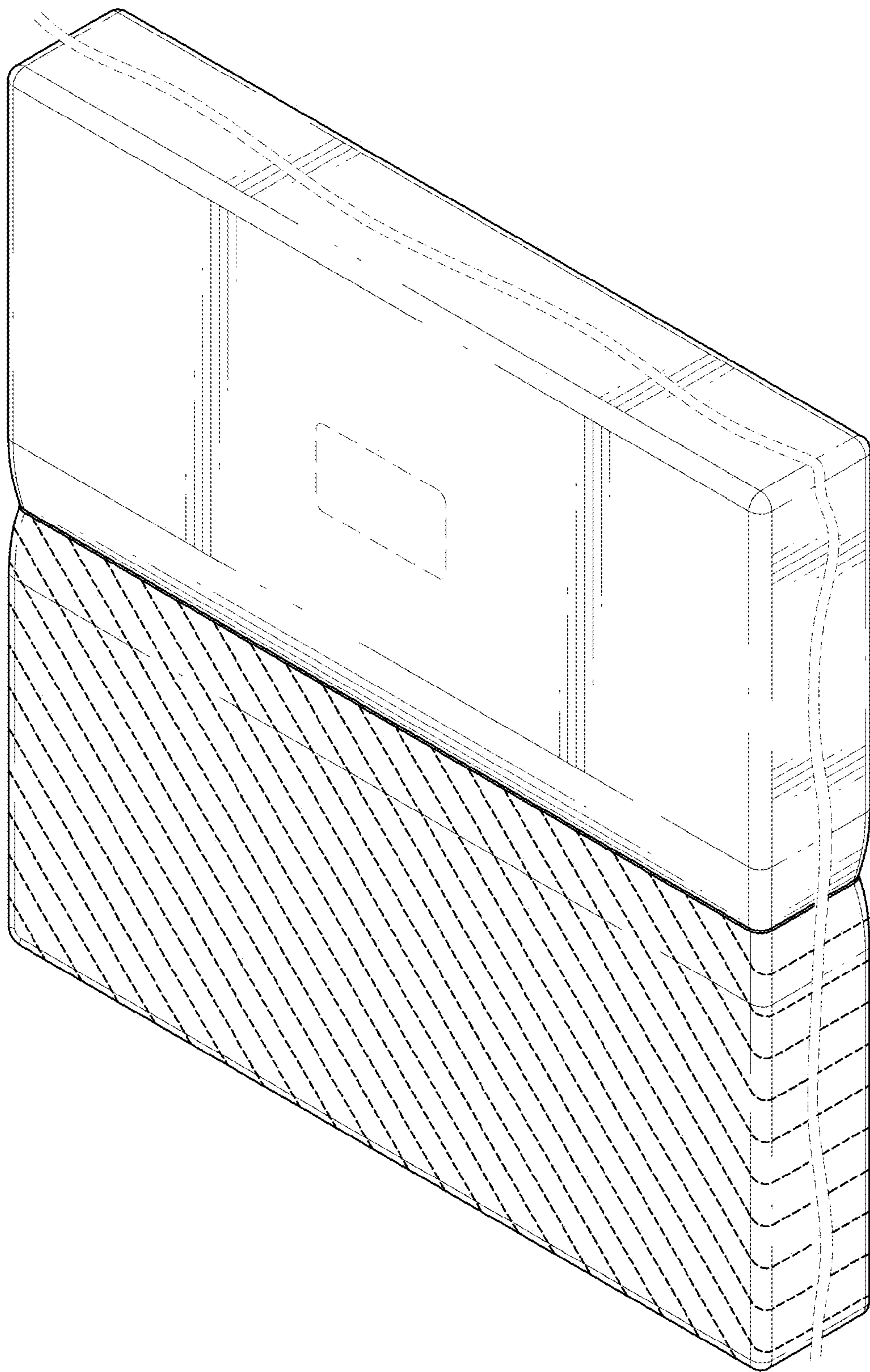


FIG. 8

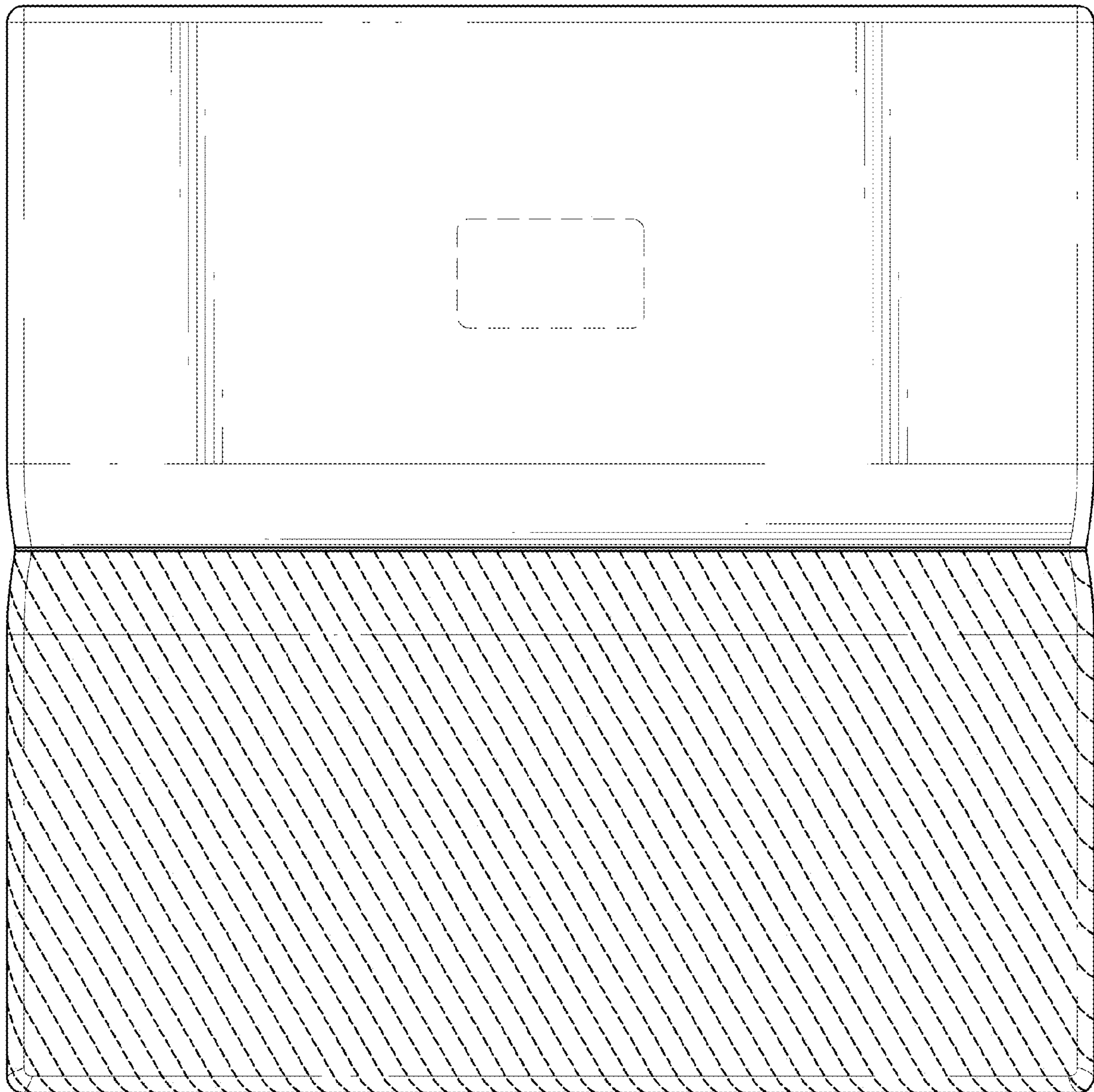


FIG. 9

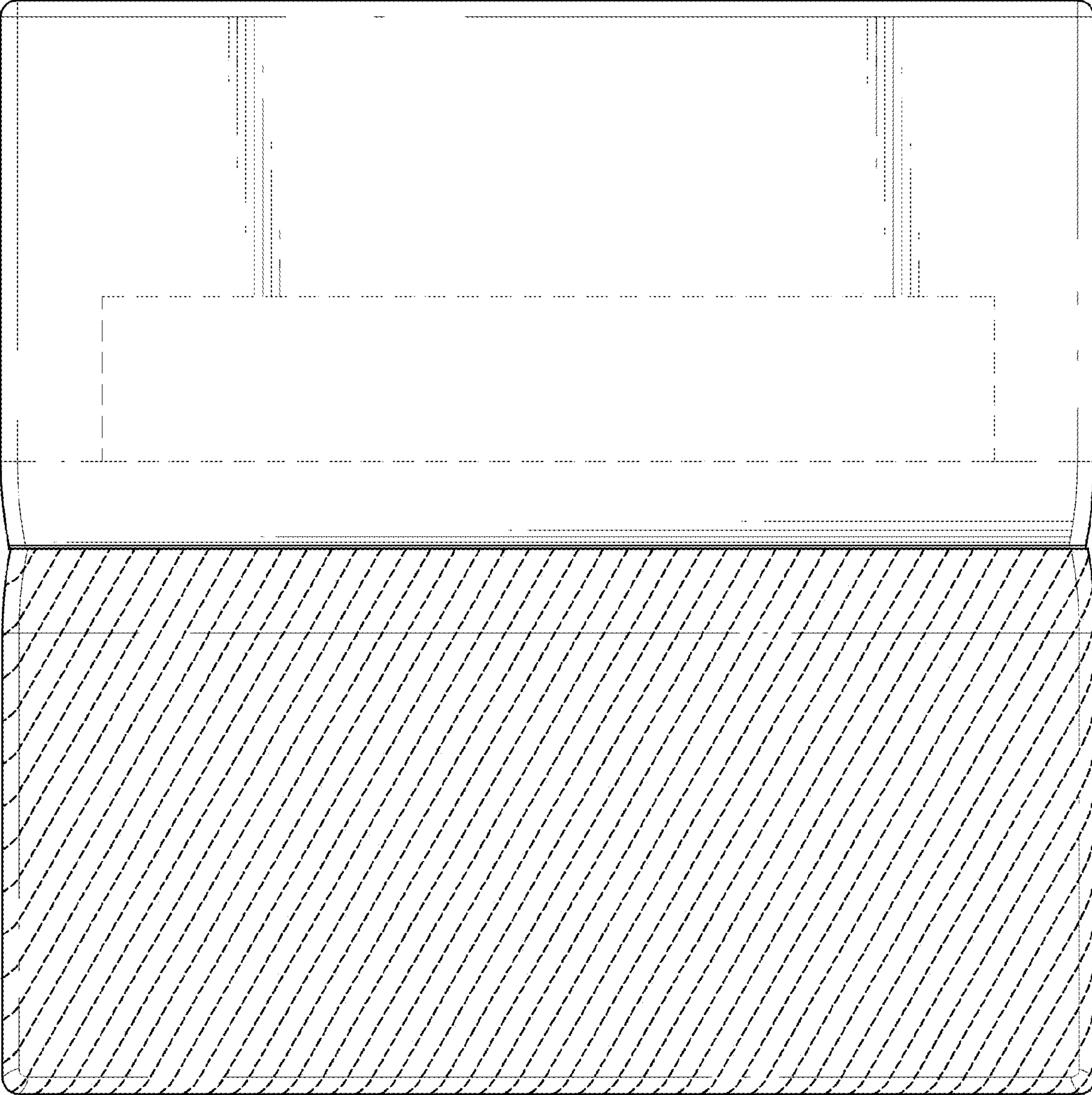


FIG. 10

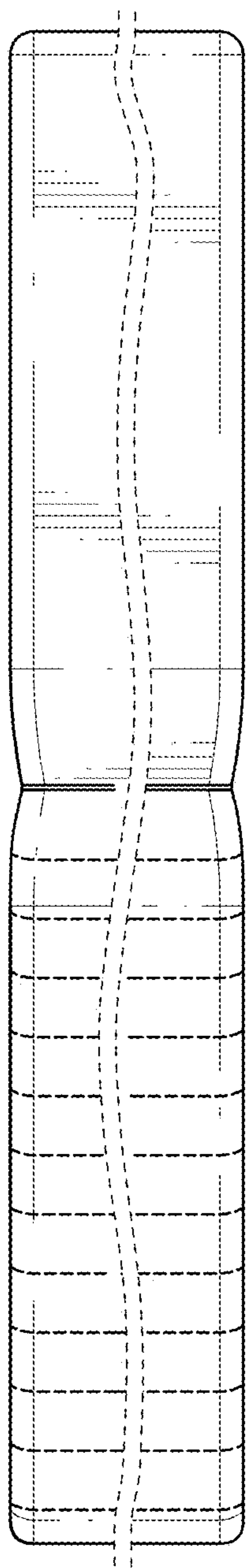


FIG. 11

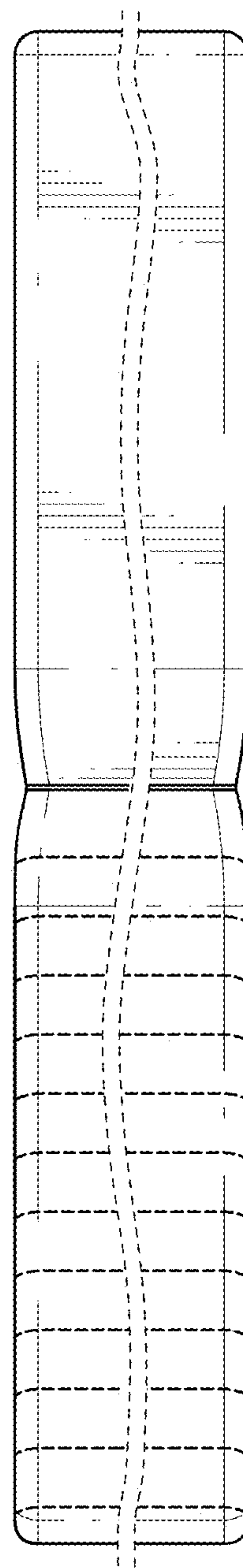


FIG. 12

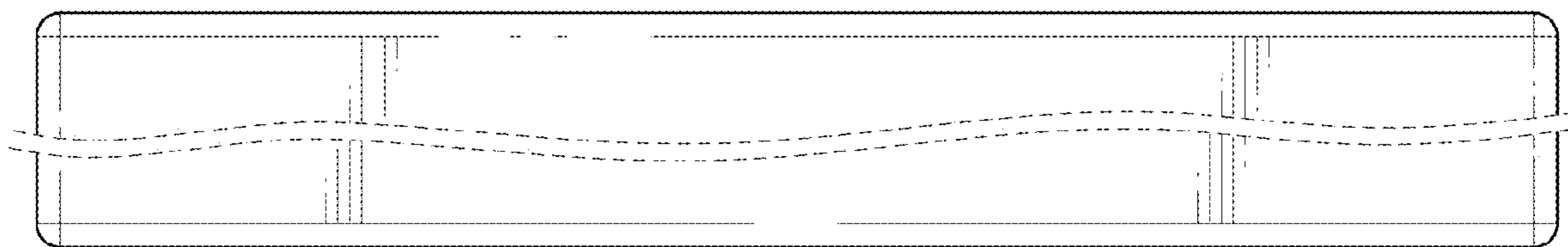


FIG. 13

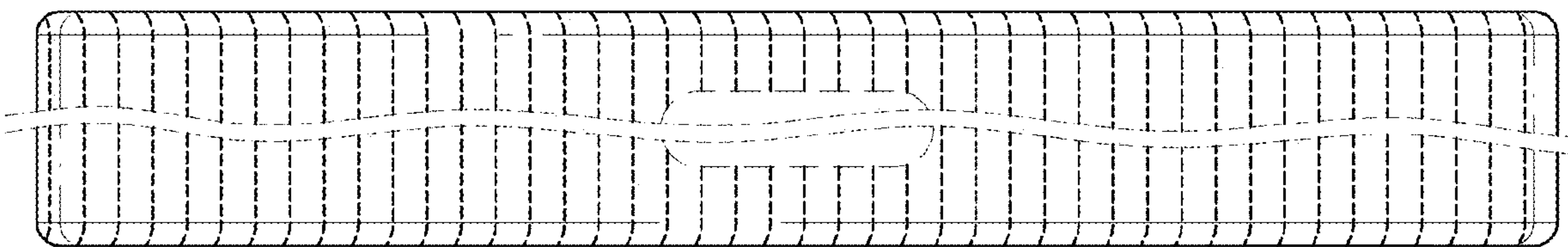


FIG. 14