



US00D881185S

(12) **United States Design Patent** (10) **Patent No.:** **US D881,185 S**  
**He** (45) **Date of Patent:** **\*\* Apr. 14, 2020**

(54) **WATCH**

(71) Applicant: **SHENZHEN NANQIAO TECHNOLOGY CO., LTD.**, Shenzhen (CN)

(72) Inventor: **Ying He**, Ganzhou (CN)

(73) Assignee: **SHENZHEN NANQIAO TECHNOLOGY CO., LTD.**, Shenzhen (CN)

(\*\*) Term: **15 Years**

(21) Appl. No.: **29/716,237**

(22) Filed: **Dec. 9, 2019**

(51) **LOC (12) Cl.** ..... **14-03**

(52) **U.S. Cl.**  
USPC ..... **D14/344**

(58) **Field of Classification Search**  
USPC ..... D14/344  
CPC ..... G06F 17/50; G06F 3/041  
See application file for complete search history.

(56) **References Cited**

**U.S. PATENT DOCUMENTS**

D564,366 S	3/2008	Yeh et al.	
D762,641 S	8/2016	Lee et al.	
D775,126 S	12/2016	Odasso et al.	
D828,352 S *	9/2018	Akana .....	D14/344
D832,252 S *	10/2018	Akana .....	D14/344

D842,855 S *	3/2019	Akana .....	D14/344
D850,945 S *	6/2019	Akana .....	D10/70
D854,432 S *	7/2019	Akana .....	D10/70
D860,033 S *	9/2019	Quan .....	D11/3
D861,678 S *	10/2019	Kern .....	D14/344
D867,179 S *	11/2019	Akana .....	D10/70
D874,458 S *	2/2020	Akana .....	D14/344
D875,587 S *	2/2020	Akana .....	D10/103
D876,244 S *	2/2020	Park .....	D10/32
2016/0357324 A1 *	12/2016	Smith .....	G06F 3/0416
2017/0046451 A1 *	2/2017	Akana .....	G06F 30/00

\* cited by examiner

*Primary Examiner* — Charles D Hanson

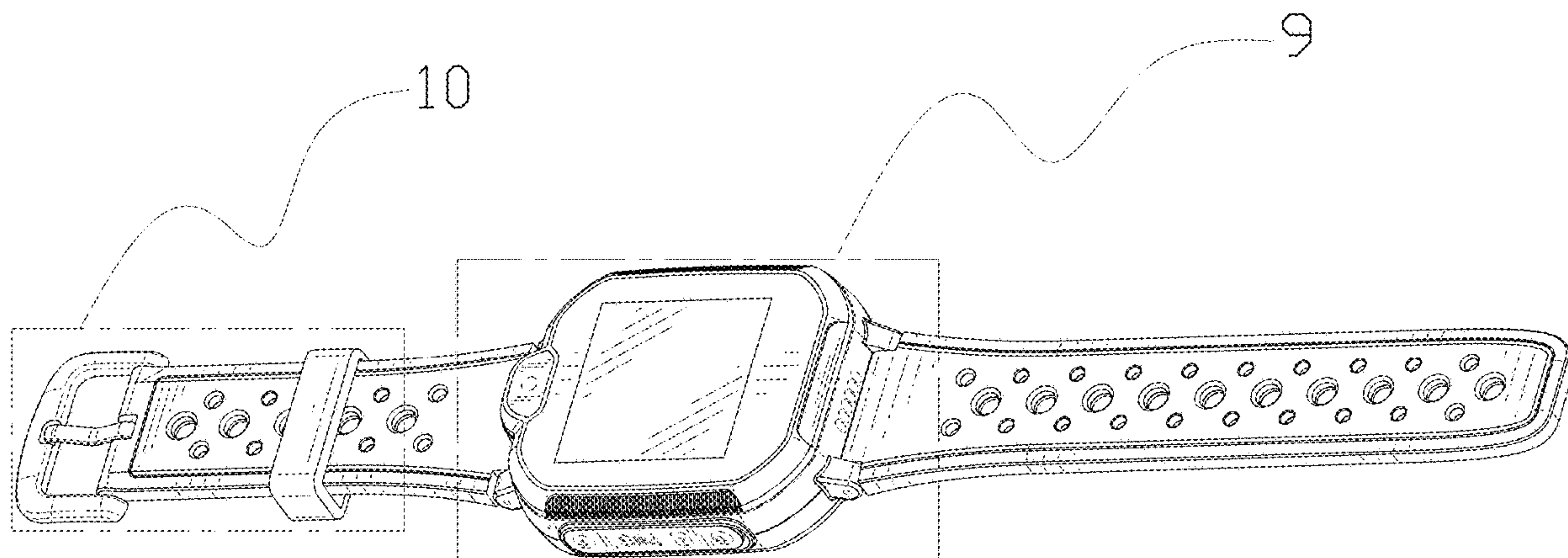
(57) **CLAIM**

The ornamental design for a watch, as shown and described.

**DESCRIPTION**

FIG. 1 is a perspective view of a watch showing my new design;  
FIG. 2 is another perspective view thereof;  
FIG. 3 is a front elevational view thereof;  
FIG. 4 is a rear elevational view thereof;  
FIG. 5 is a left side elevational view thereof;  
FIG. 6 is a right side elevational view thereof;  
FIG. 7 is a top plan view thereof;  
FIG. 8 is a bottom plan view thereof;  
FIG. 9 is an enlarged view of portion 9 shown in FIG. 1; and,  
FIG. 10 is an enlarged view of portion 10 shown in FIG. 1.  
The broken lines in the drawings depict portions of the watch that form no part of the claimed design.

**1 Claim, 10 Drawing Sheets**



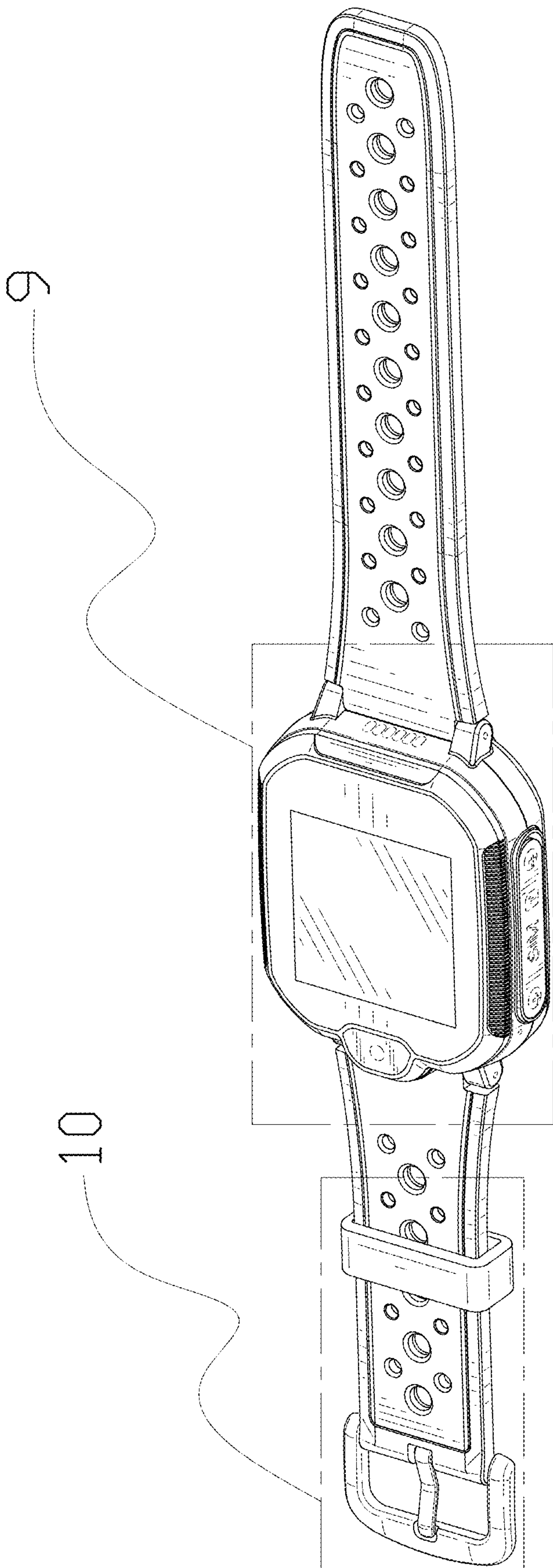


FIG. 1

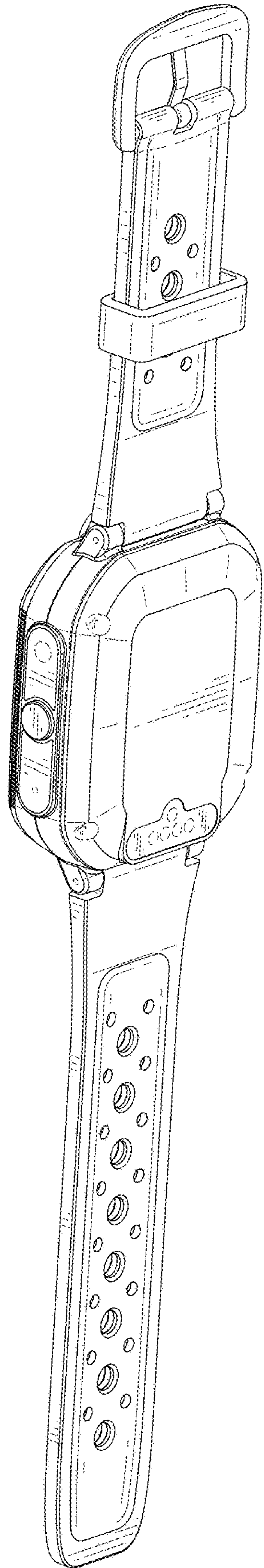


FIG. 2



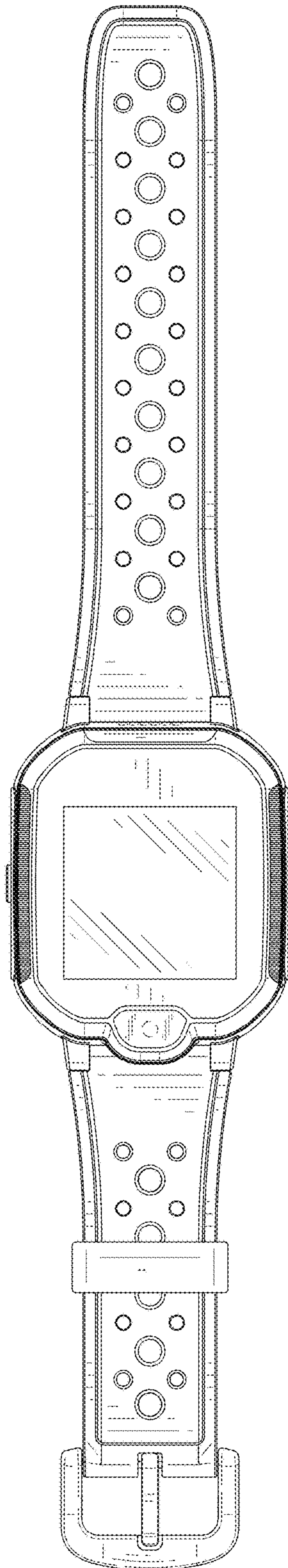


FIG. 3

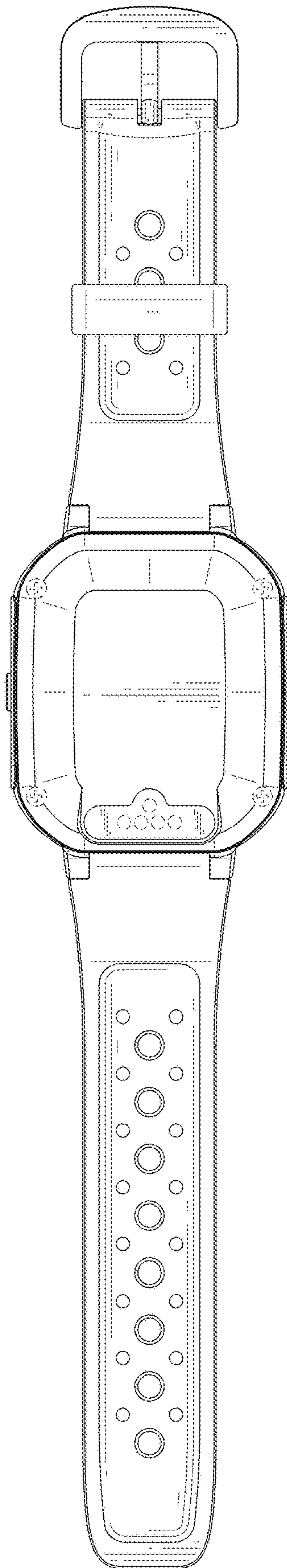


FIG. 4

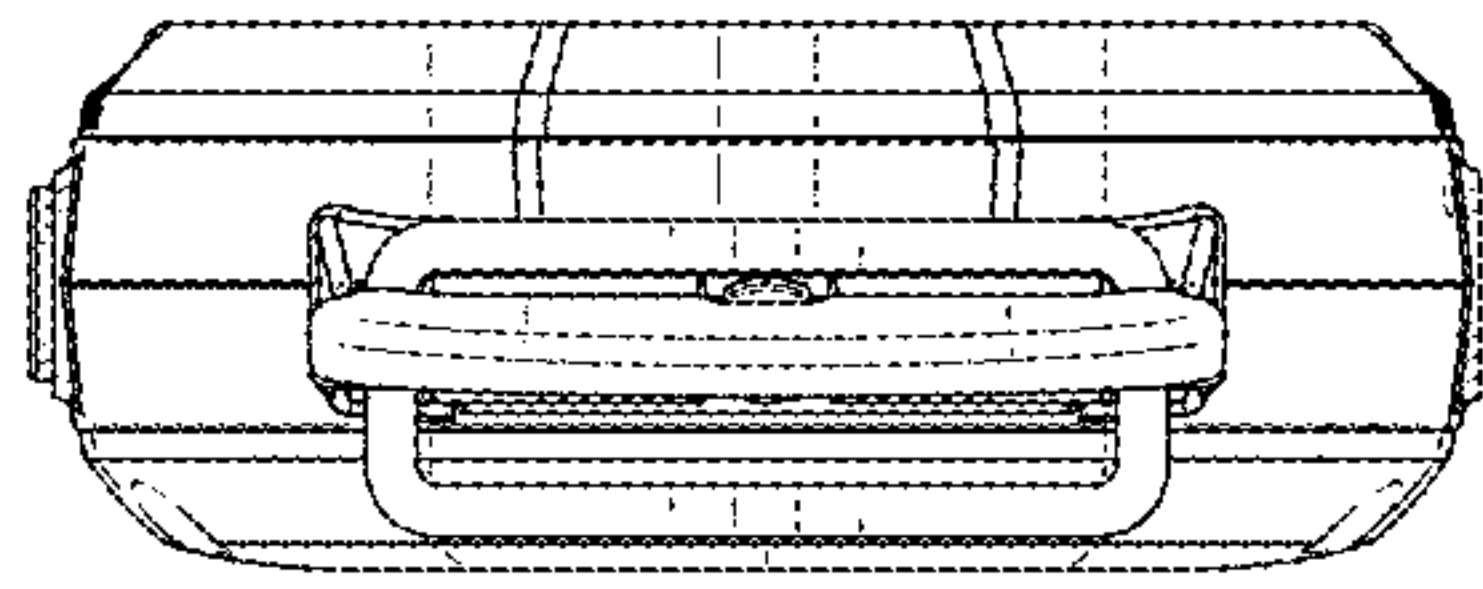


FIG. 5

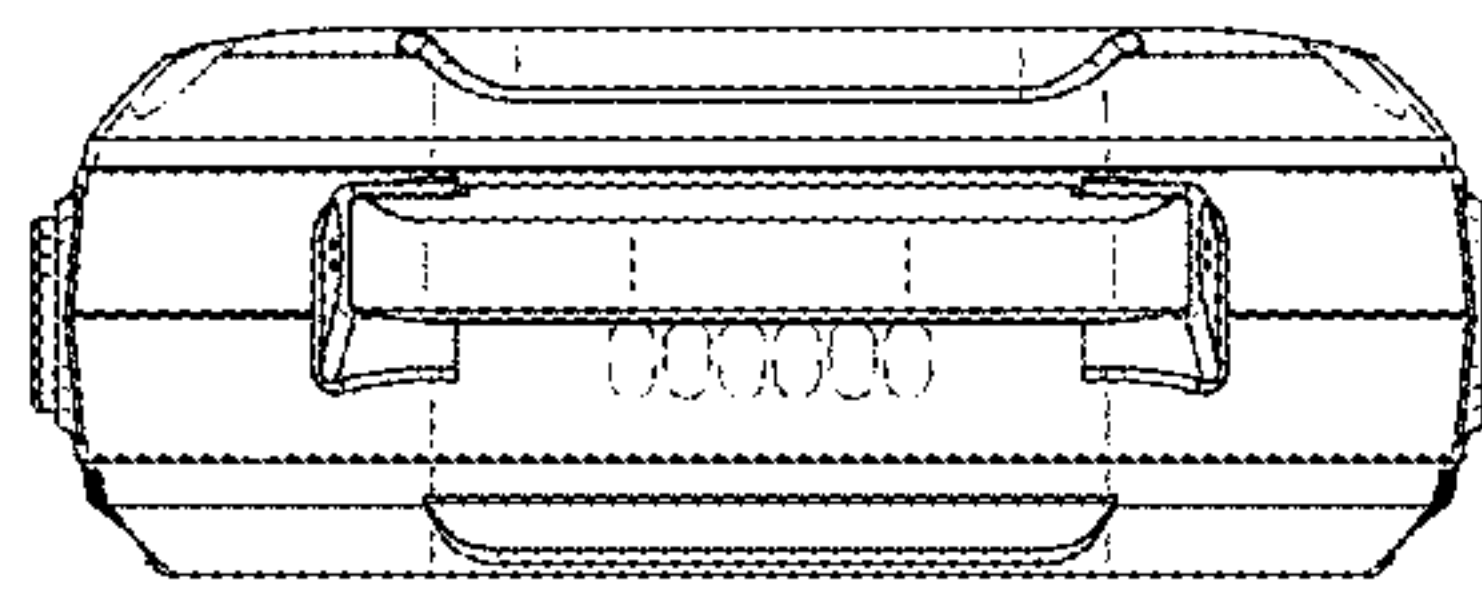


FIG. 6

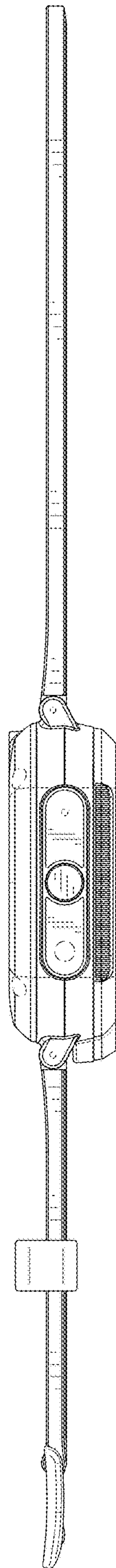


FIG. 7



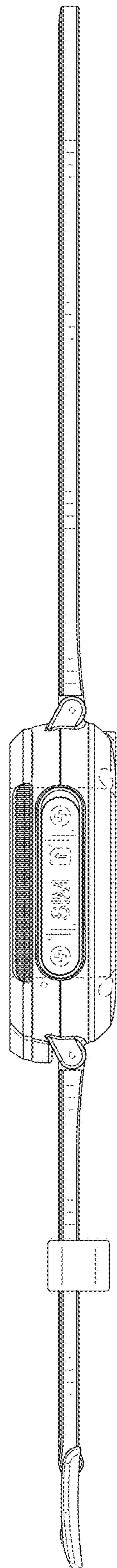


FIG. 8

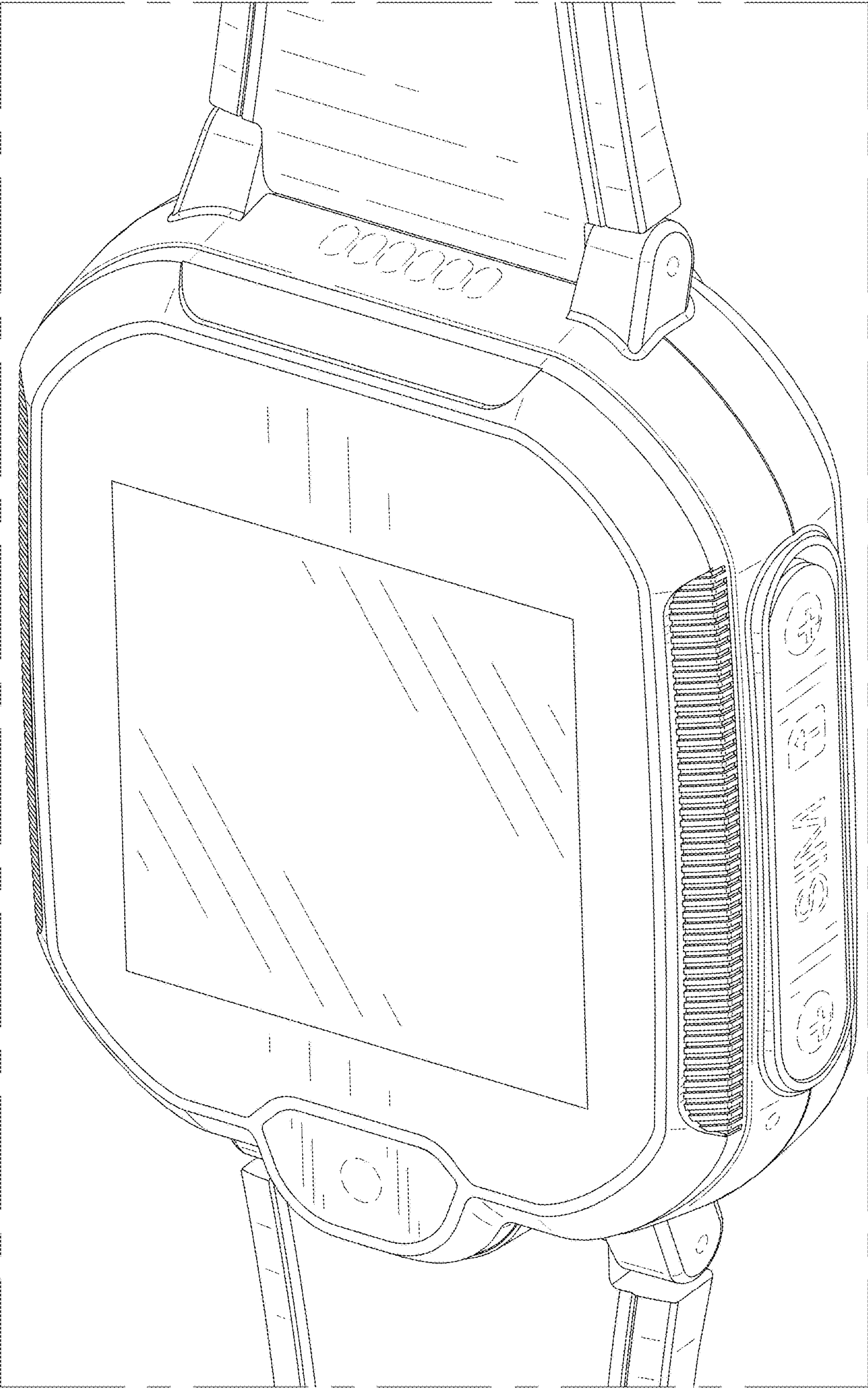


FIG. 9

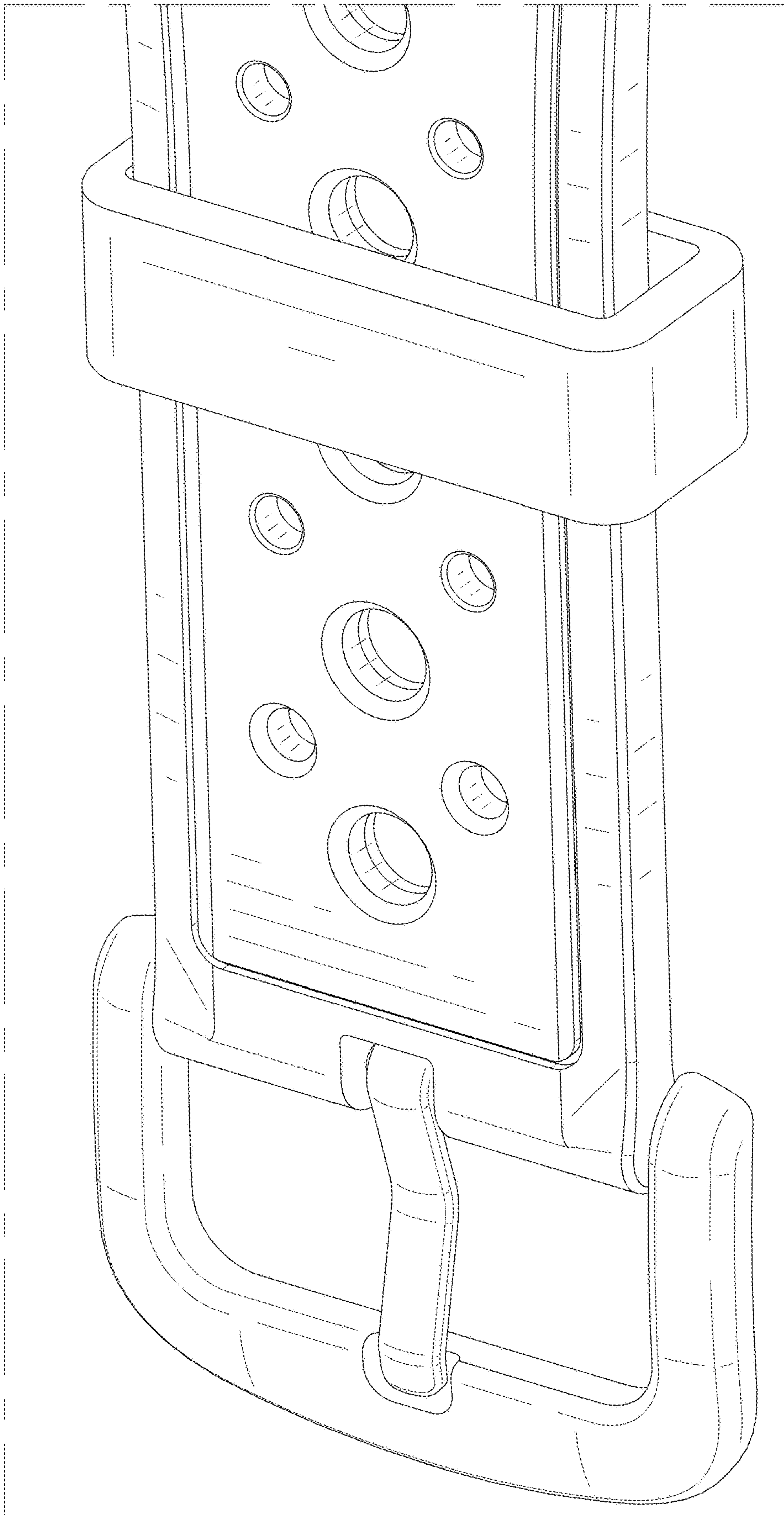


FIG. 10