



US00D881184S

(12) **United States Design Patent** (10) **Patent No.:** **US D881,184 S**  
**Frezal** (45) **Date of Patent:** **\*\* Apr. 14, 2020**

(54) **COMMUNICATION TERMINAL**

(71) Applicant: **I.E.R.**, Suresnes (FR)  
(72) Inventor: **Thibaut Frezal**, Draveil (FR)  
(\*\*) Term: **15 Years**  
(21) Appl. No.: **35/504,035**  
(22) Filed: **Sep. 14, 2017**

(80) **Hague Agreement Data**

Int. Filing Date: **Sep. 14, 2017**  
Int. Reg. No.: **DM/098509**  
Int. Reg. Date: **Sep. 14, 2017**  
Int. Reg. Pub. Date: **Dec. 1, 2017**

(30) **Foreign Application Priority Data**

Mar. 14, 2017 (EM) ..... 003799808-0004

(51) **LOC (12) Cl.** ..... **14-02**

(52) **U.S. Cl.**  
USPC ..... **D14/307**

(58) **Field of Classification Search**  
USPC ..... D14/126, 302-307, 900-902; D20/10;  
D21/325, 332, 369, 370  
CPC ..... G06Q 20/18; G06Q 20/10; G06Q 20/123;  
G06Q 20/20; G06Q 30/02; G06Q 30/06;  
A47F 9/047

See application file for complete search history.

(56) **References Cited**

U.S. PATENT DOCUMENTS

D395,129	S	*	6/1998	Johnson	.....	D14/130
D708,676	S	*	7/2014	Ballman	.....	D14/307
D732,521	S	*	6/2015	Chadbourne	.....	D14/307
D762,635	S	*	8/2016	Szeredi	.....	D14/307
D769,569	S	*	10/2016	Kennedy	.....	D99/28
D820,824	S	*	6/2018	Thornton	.....	D14/307
D836,625	S	*	12/2018	Szeredi	.....	D14/307
D854,539	S	*	7/2019	Szeredi	.....	D14/307
D859,778	S	*	9/2019	Pieratt	.....	D99/28
D870,721	S	*	12/2019	Vasi	.....	D14/307
2016/0098904	A1	*	4/2016	Choudhury	.....	G07F 19/203 705/43
2017/0053487	A1	*	2/2017	Takeda	.....	G07F 17/3234

\* cited by examiner

*Primary Examiner* — Melanie H Tung  
*Assistant Examiner* — Bao-Yen T Nguyen

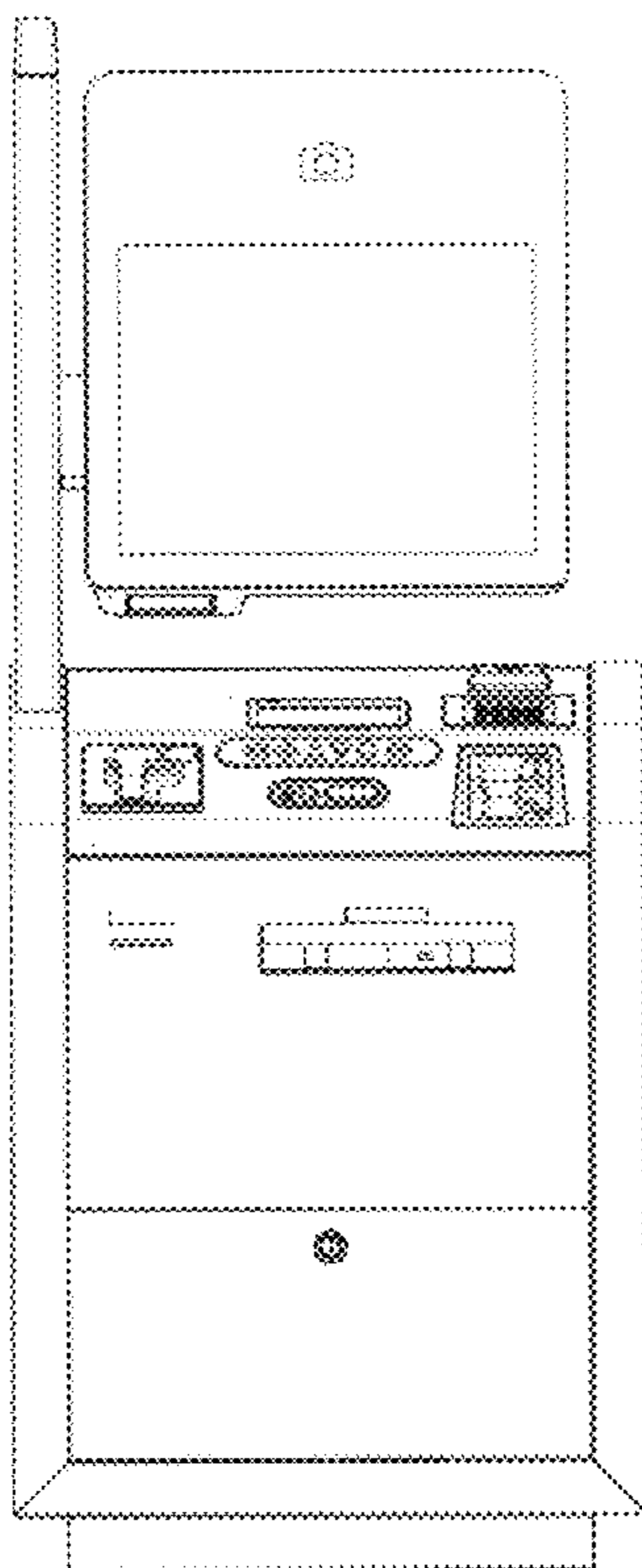
(57) **CLAIM**

The ornamental design for a communication terminal, as shown and described.

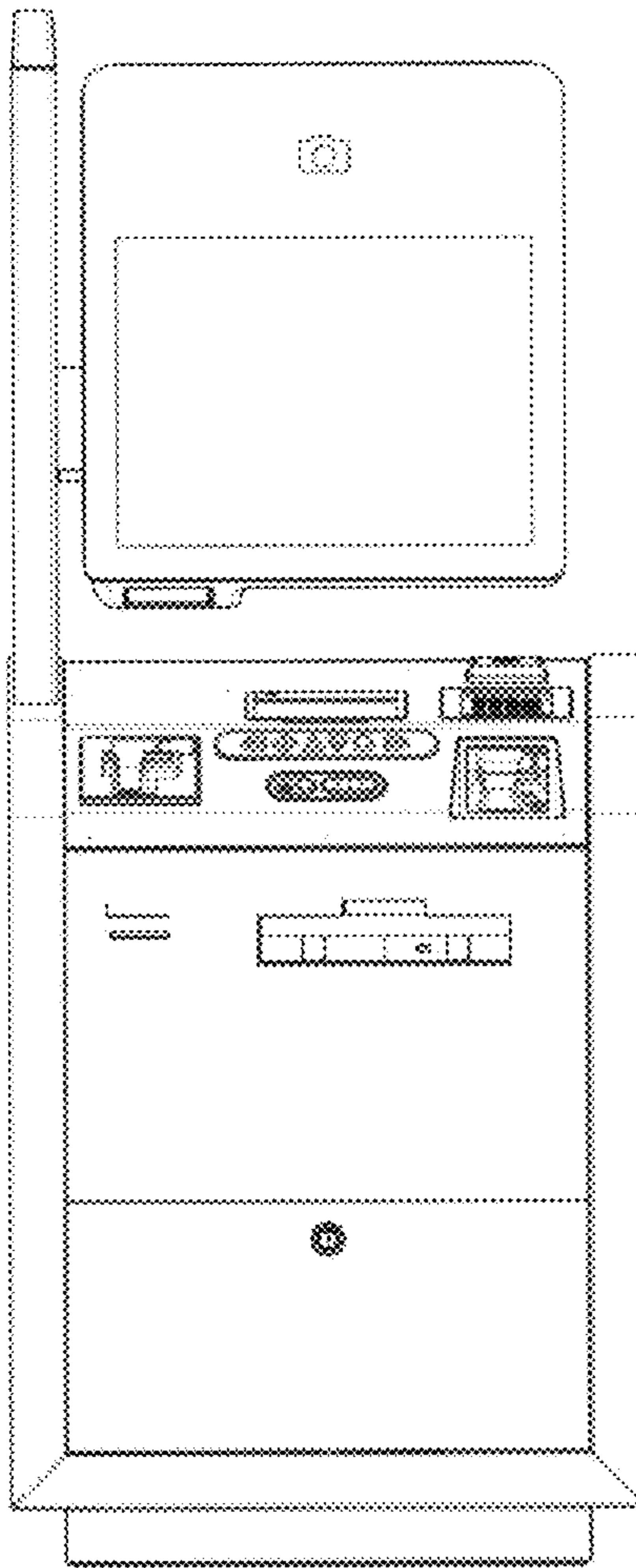
**DESCRIPTION**

**2.1** is a front view;  
**2.2** is a perspective view;  
**2.3** is a right view;  
**2.4** is a left view;  
**2.5** is a back view; and  
**2.6** is a top view.

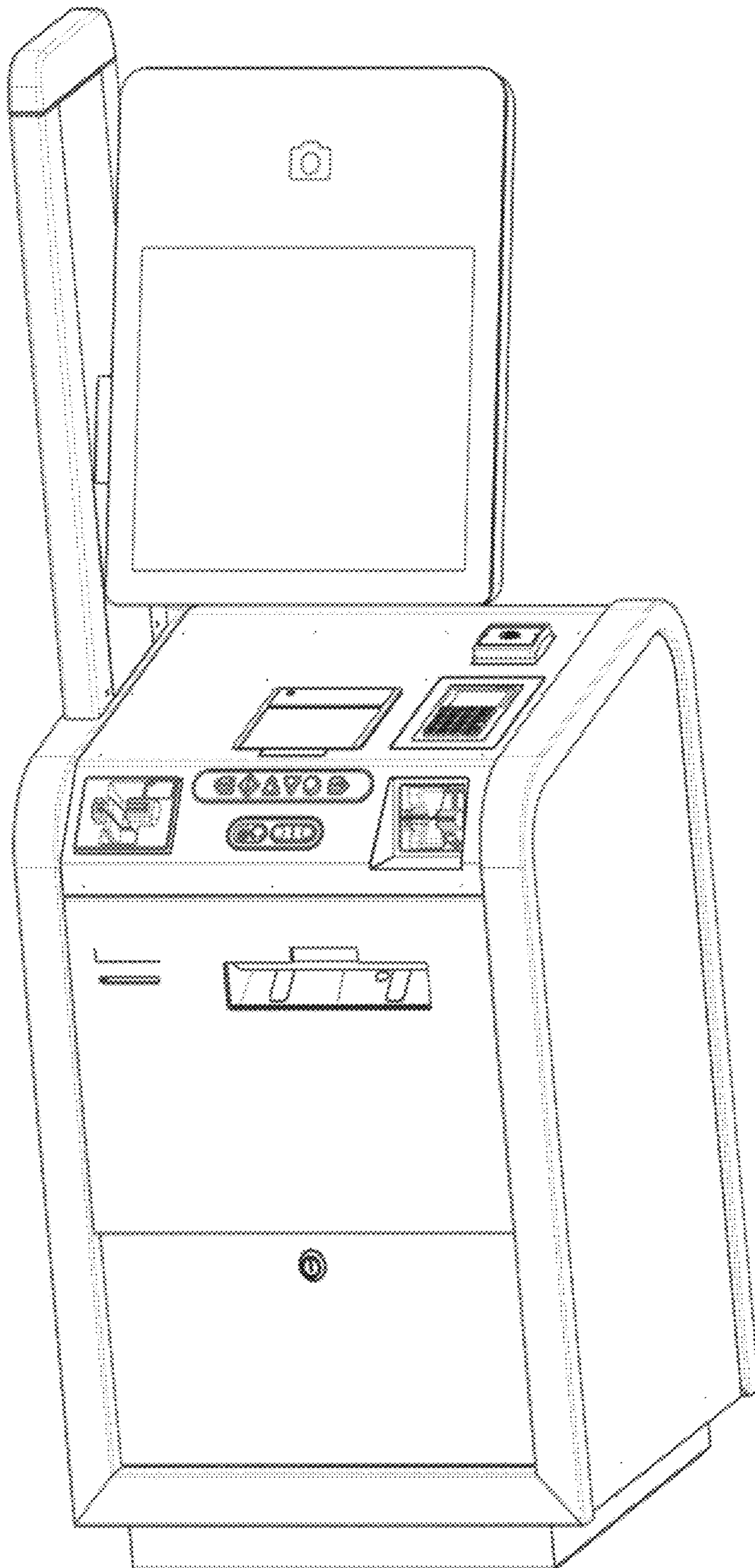
**1 Claim, 6 Drawing Sheets**



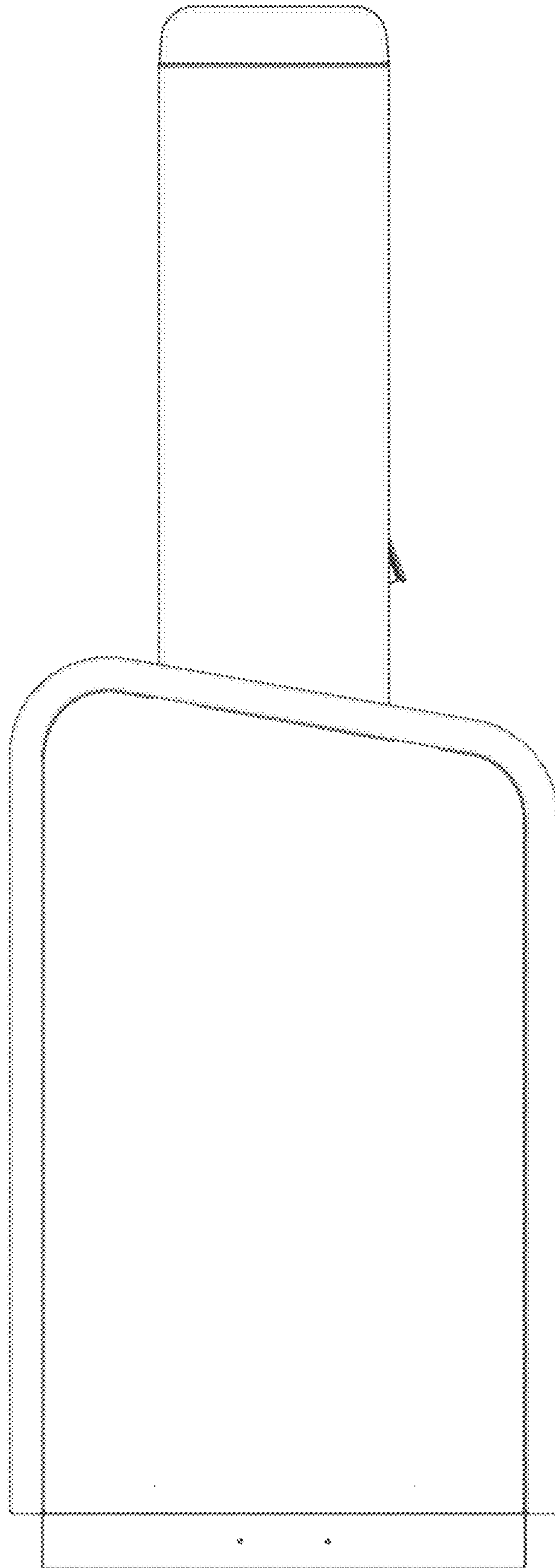
2.1



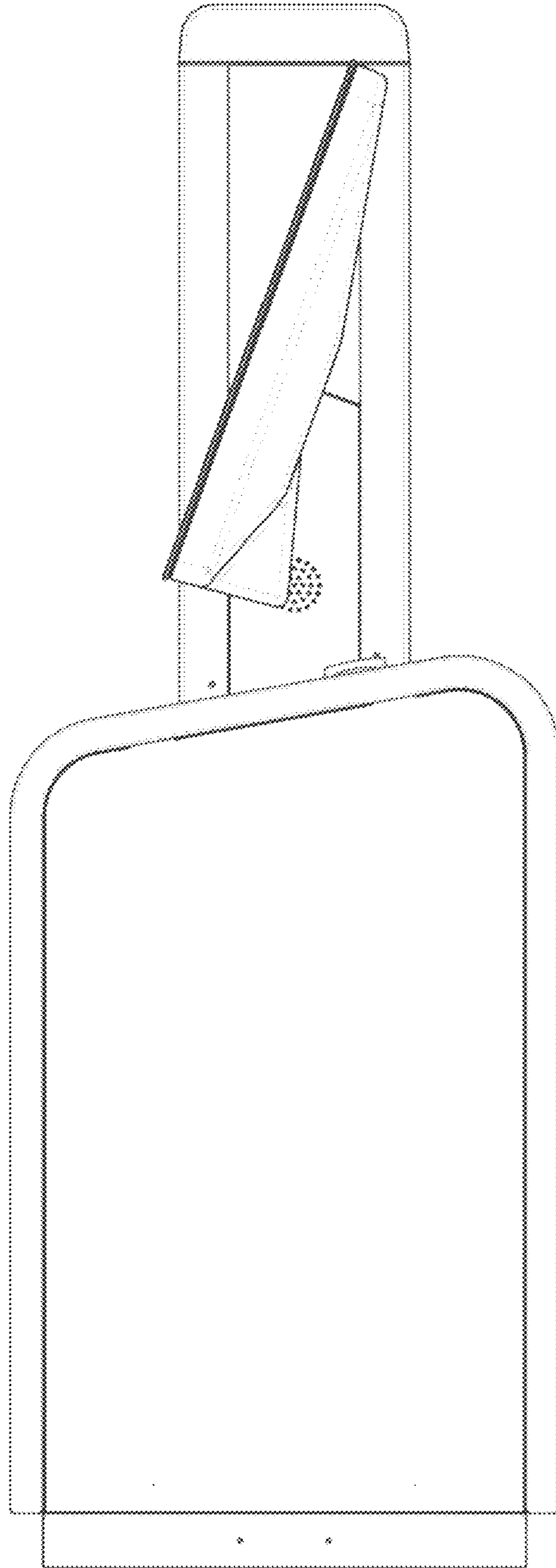
2.2



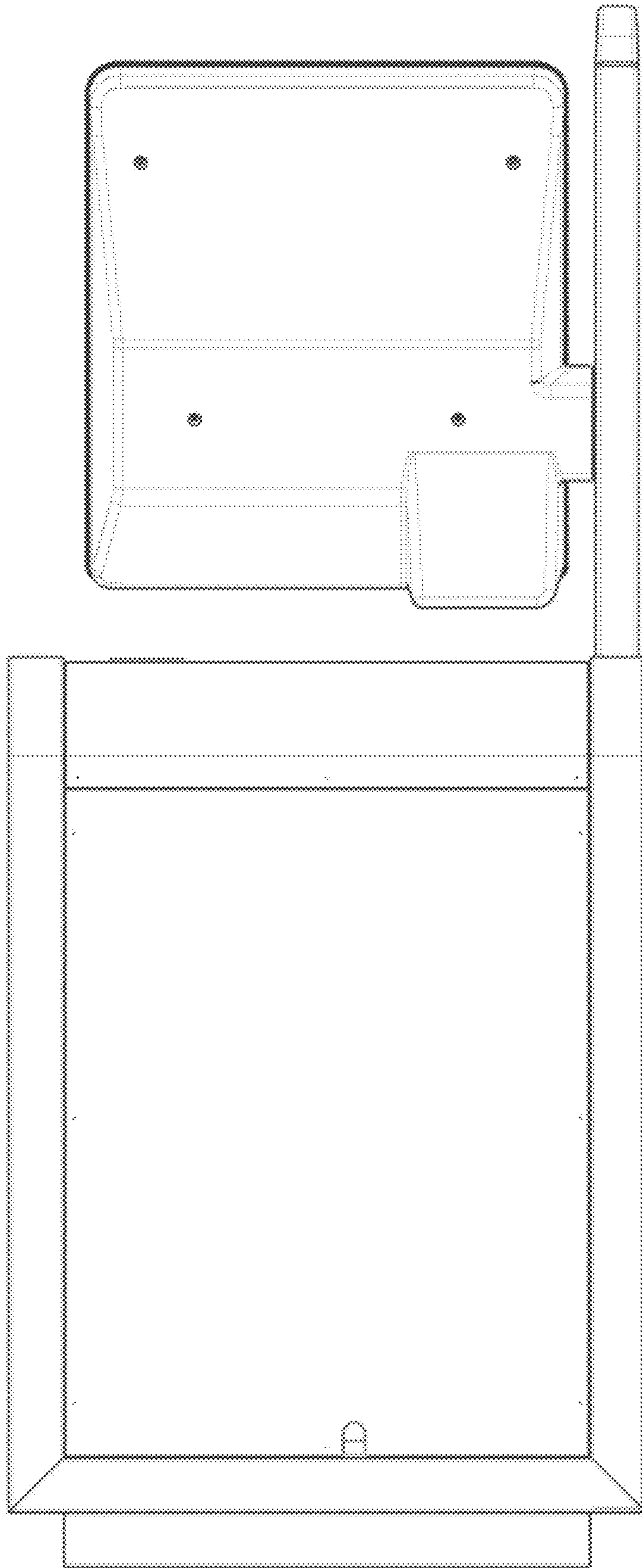
2.3



2.4



2.5



2.6

