



US00D881182S

(12) **United States Design Patent**
Zhang

(10) **Patent No.:** **US D881,182 S**

(45) **Date of Patent:** **** Apr. 14, 2020**

(54) **MOBILE PHONE HOLDER**

(71) Applicant: **Liu Zhang**, Shenzhen (CN)

(72) Inventor: **Liu Zhang**, Shenzhen (CN)

(**) Term: **15 Years**

(21) Appl. No.: **29/712,461**

(22) Filed: **Nov. 8, 2019**

(51) **LOC (12) Cl.** **14-03**

(52) **U.S. Cl.**
USPC **D14/253**

(58) **Field of Classification Search**
USPC D14/251-253, 440, 447; D12/415;
D8/354
CPC F16M 13/00; F16M 2200/00
See application file for complete search history.

(56) **References Cited**

U.S. PATENT DOCUMENTS

D707,672 S	6/2014	Lai	
D708,603 S *	7/2014	Kim	D14/253
D750,612 S *	3/2016	Chen	D14/253
D765,646 S *	9/2016	Deng	D12/415
D783,014 S *	4/2017	Chun	D14/253
D784,977 S *	4/2017	Ormsbee	D14/253
D799,203 S *	10/2017	Karl, IV	D3/218

D799,466 S *	10/2017	Sukphist	D14/253
D823,846 S	7/2018	Chen	
D825,547 S *	8/2018	Lin	D14/253
D845,960 S *	4/2019	Yao	D14/447
D860,190 S *	9/2019	Liao	D14/253
D863,290 S *	10/2019	Ormsbee	D14/253
D864,187 S *	10/2019	Vogel	D14/253
D864,190 S *	10/2019	Richter	D14/253
2019/0052740 A1 *	2/2019	Ormsbee	B60R 11/0241
2019/0185094 A1 *	6/2019	Vogel	F16B 2/005

* cited by examiner

Primary Examiner — Janice Hallmark

(74) *Attorney, Agent, or Firm* — ScienBiziP, P.C.

(57) **CLAIM**

The ornamental design for a mobile phone holder, as shown and described.

DESCRIPTION

FIG. 1 is a front, top, right perspective view of a mobile phone holder, showing my design.

FIG. 2 is a rear, bottom, left perspective view thereof.

FIG. 3 is a front elevation view thereof.

FIG. 4 is a rear elevation view thereof.

FIG. 5 is a left side elevation view thereof.

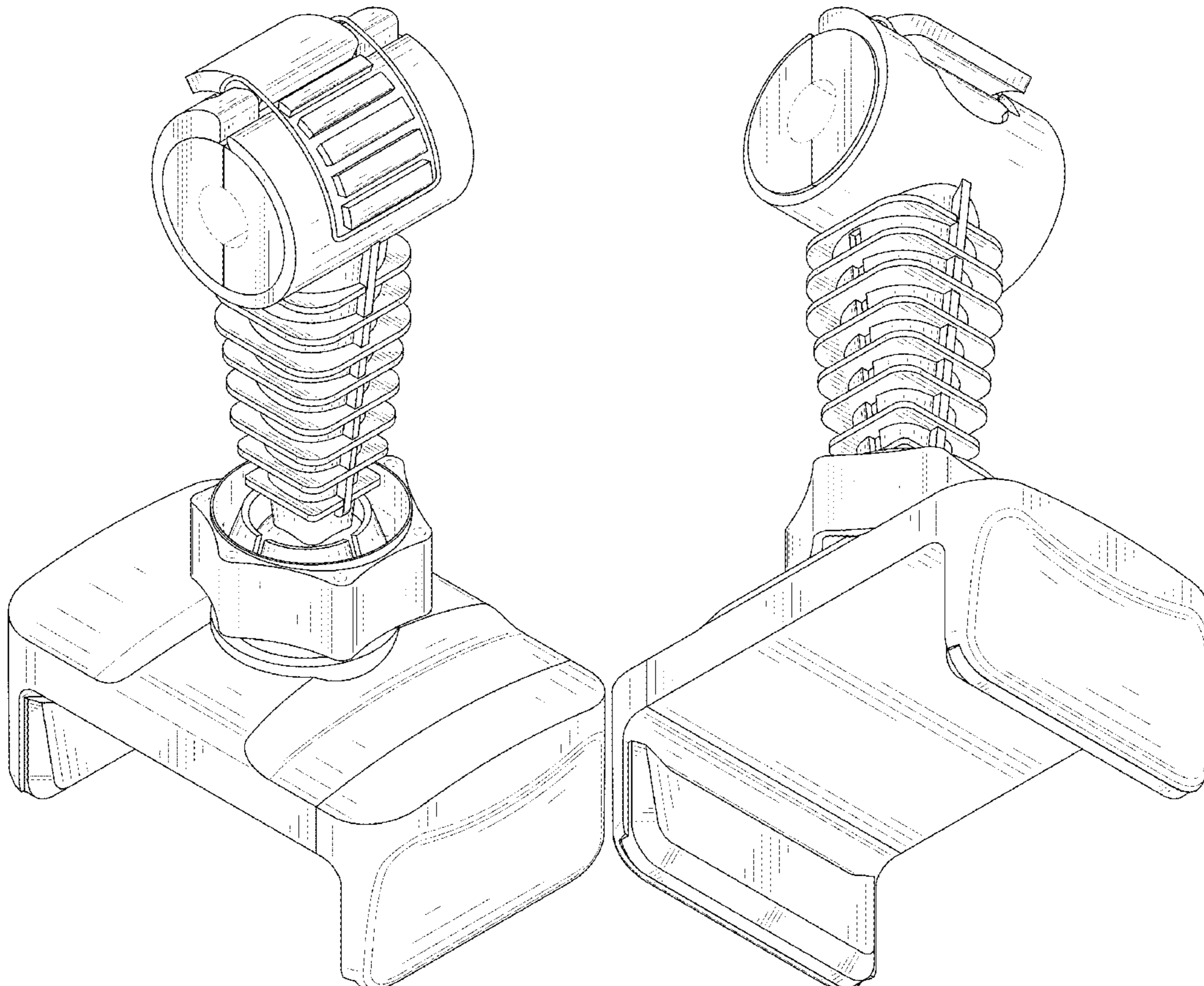
FIG. 6 is a right side elevation view thereof.

FIG. 7 is a top plan view thereof; and,

FIG. 8 is a bottom plan view thereof.

The broken lines in the drawings illustrate portions of the mobile phone holder that form no part of the claimed design.

1 Claim, 8 Drawing Sheets



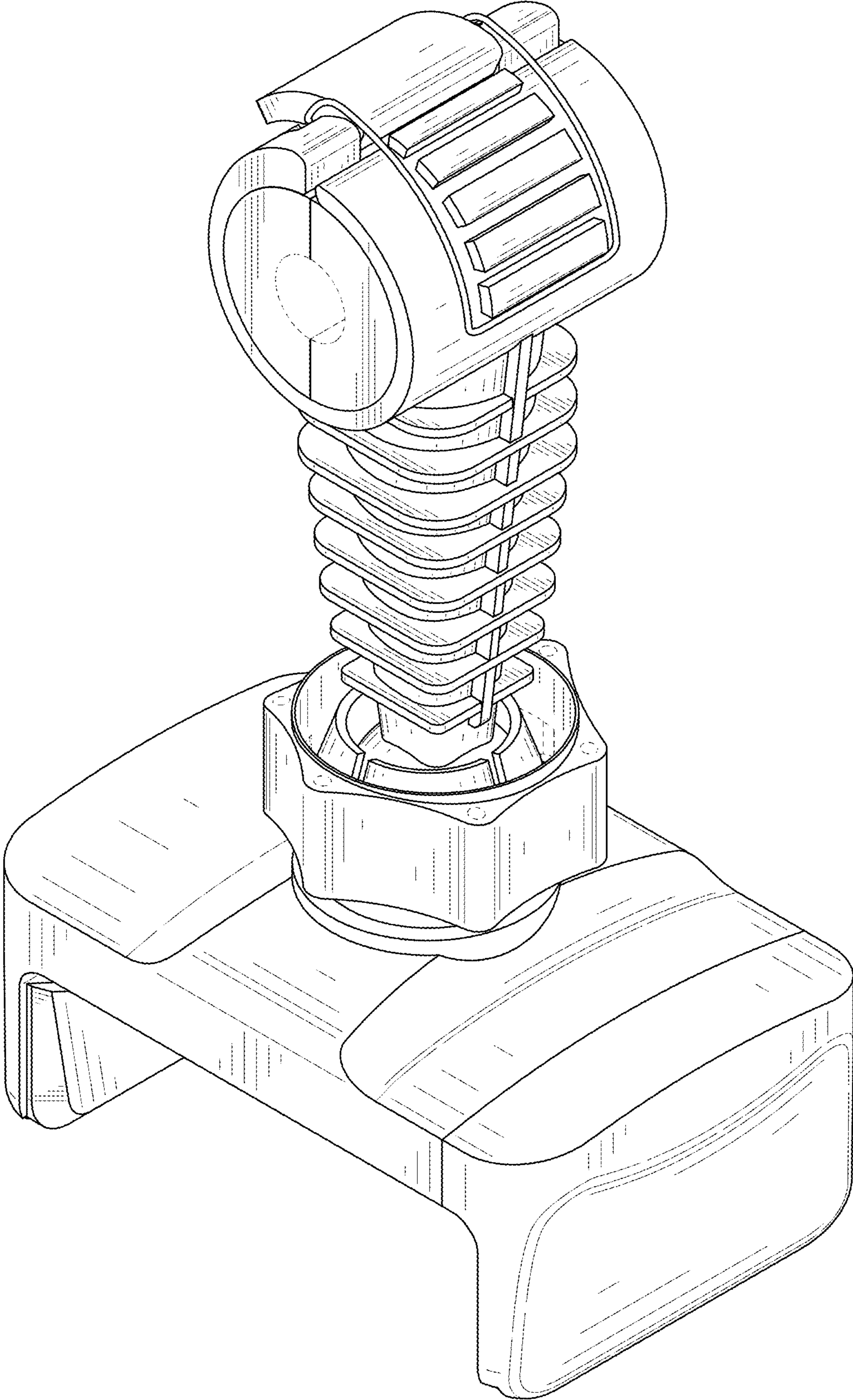


FIG. 1

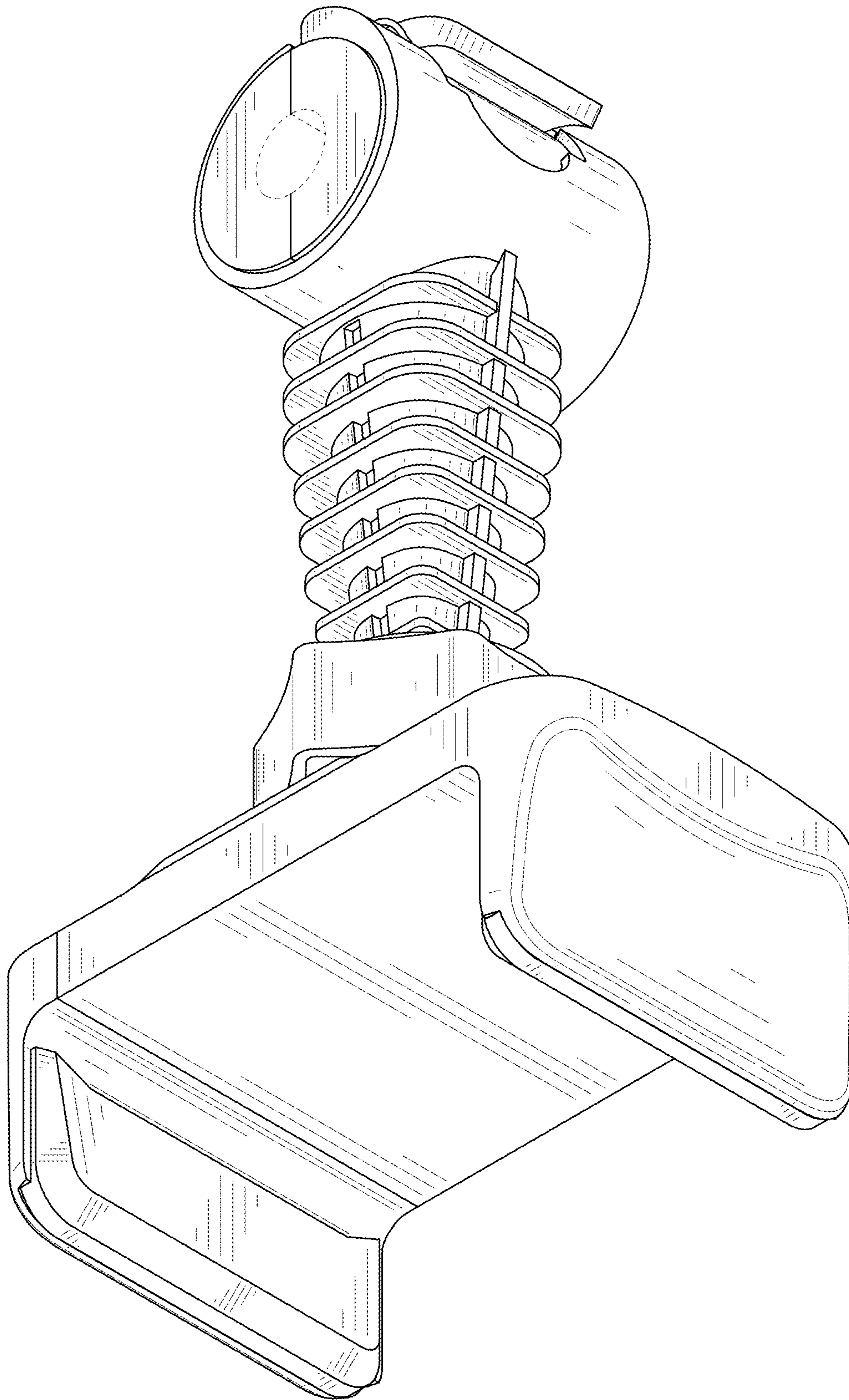


FIG. 2

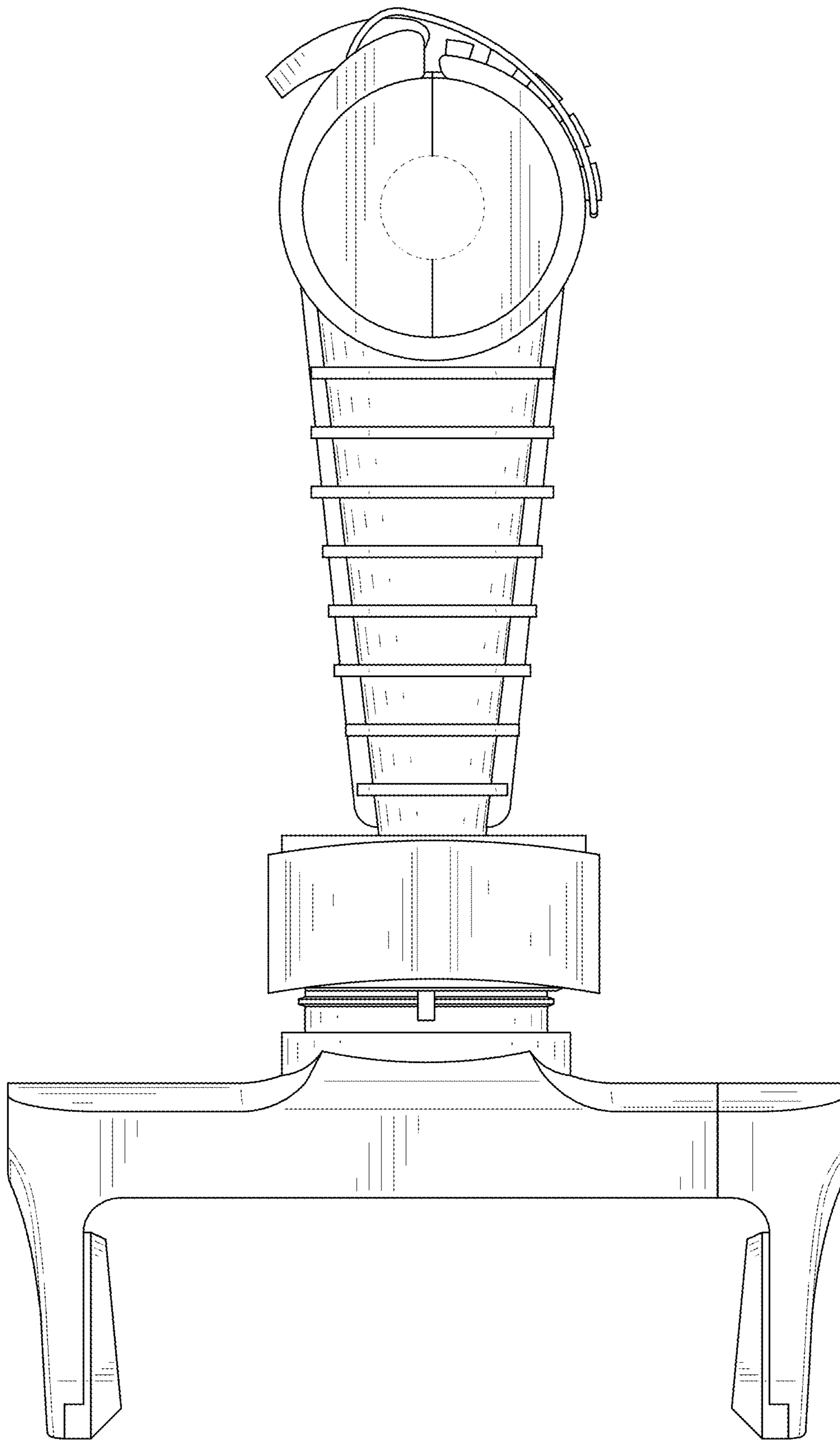


FIG. 3

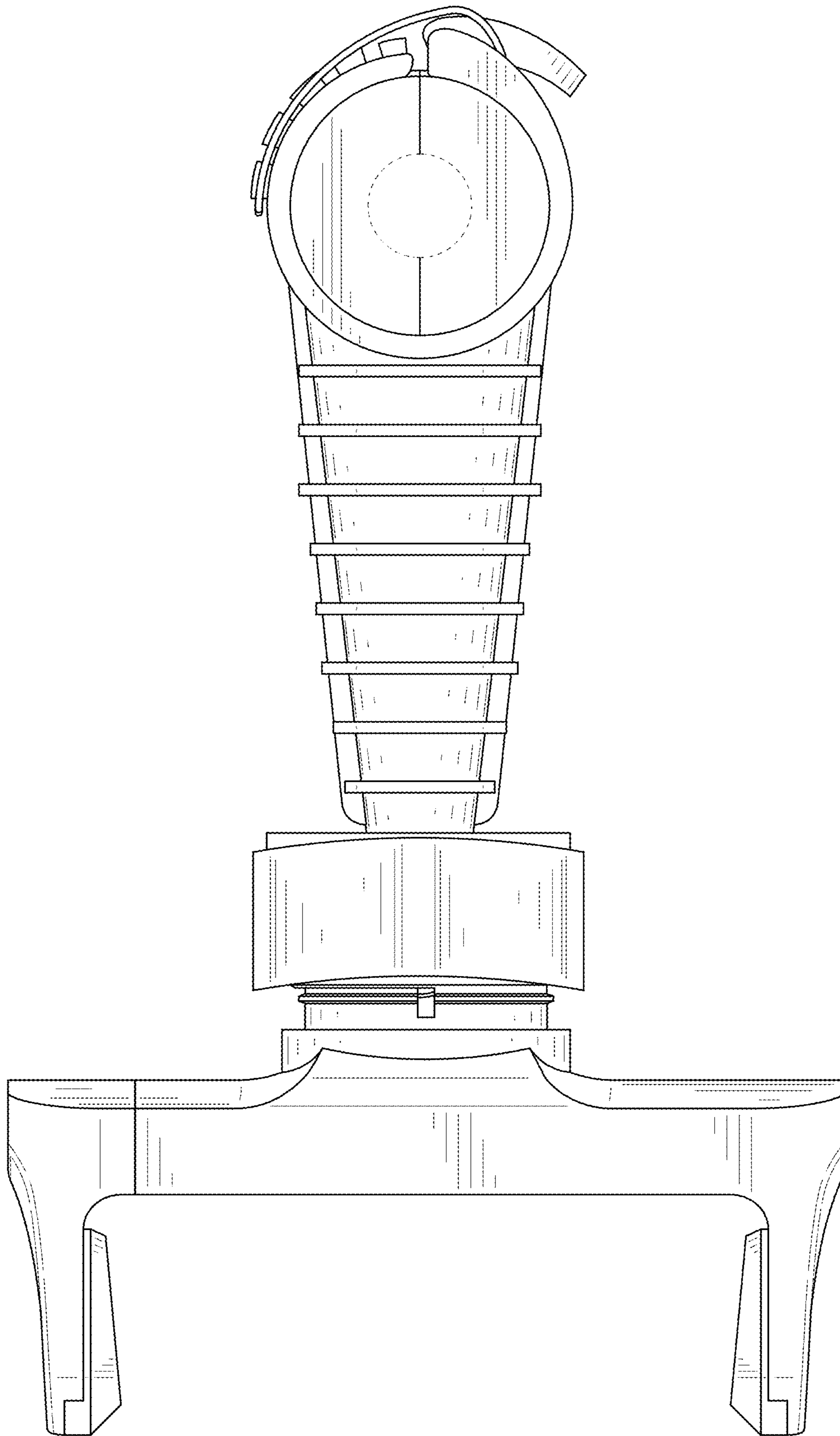


FIG. 4

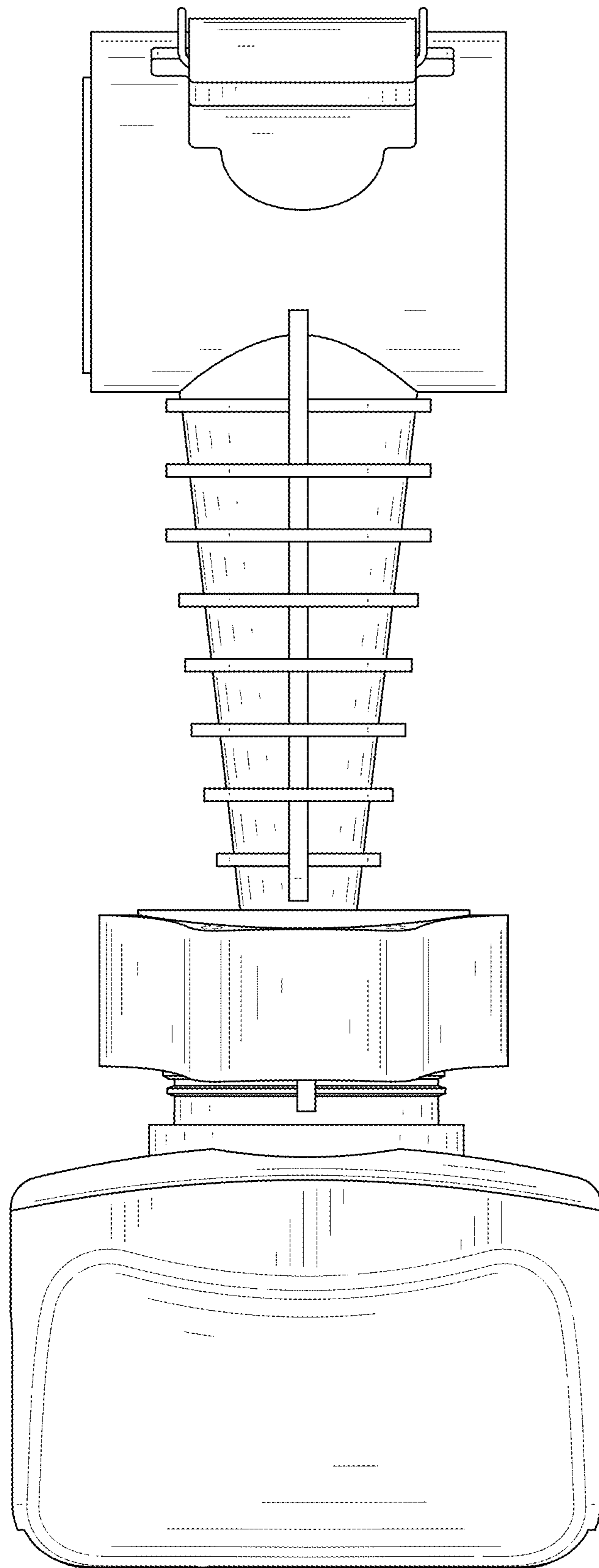


FIG. 5

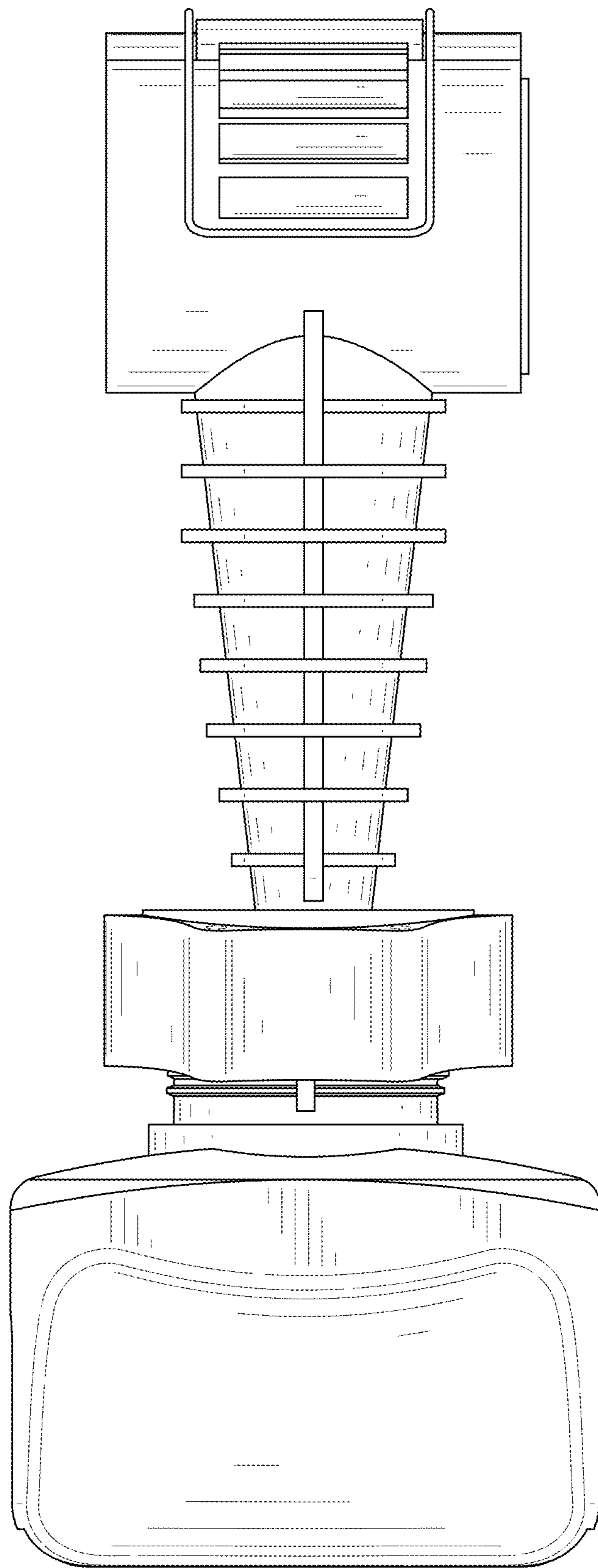


FIG. 6

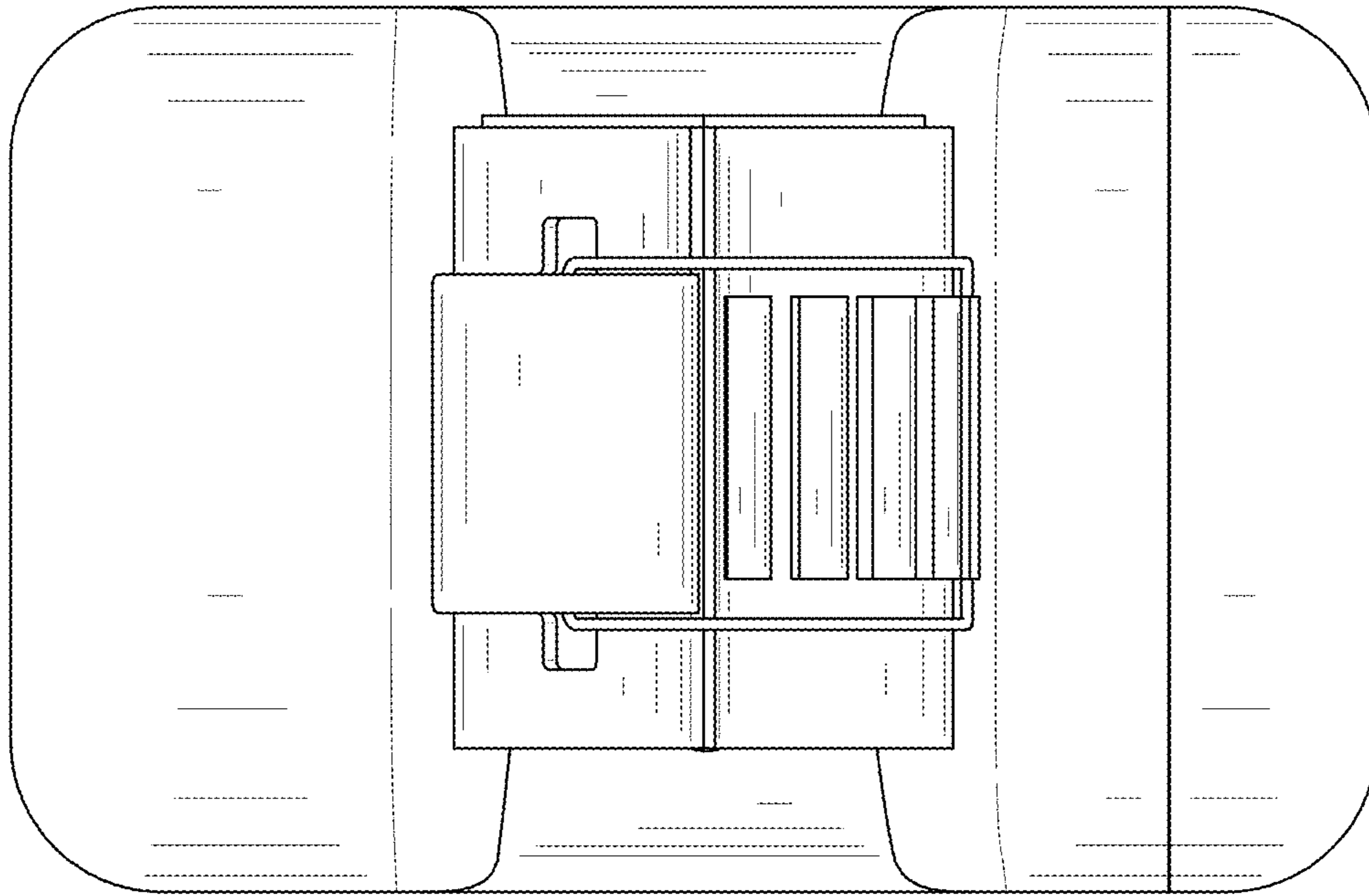


FIG. 7

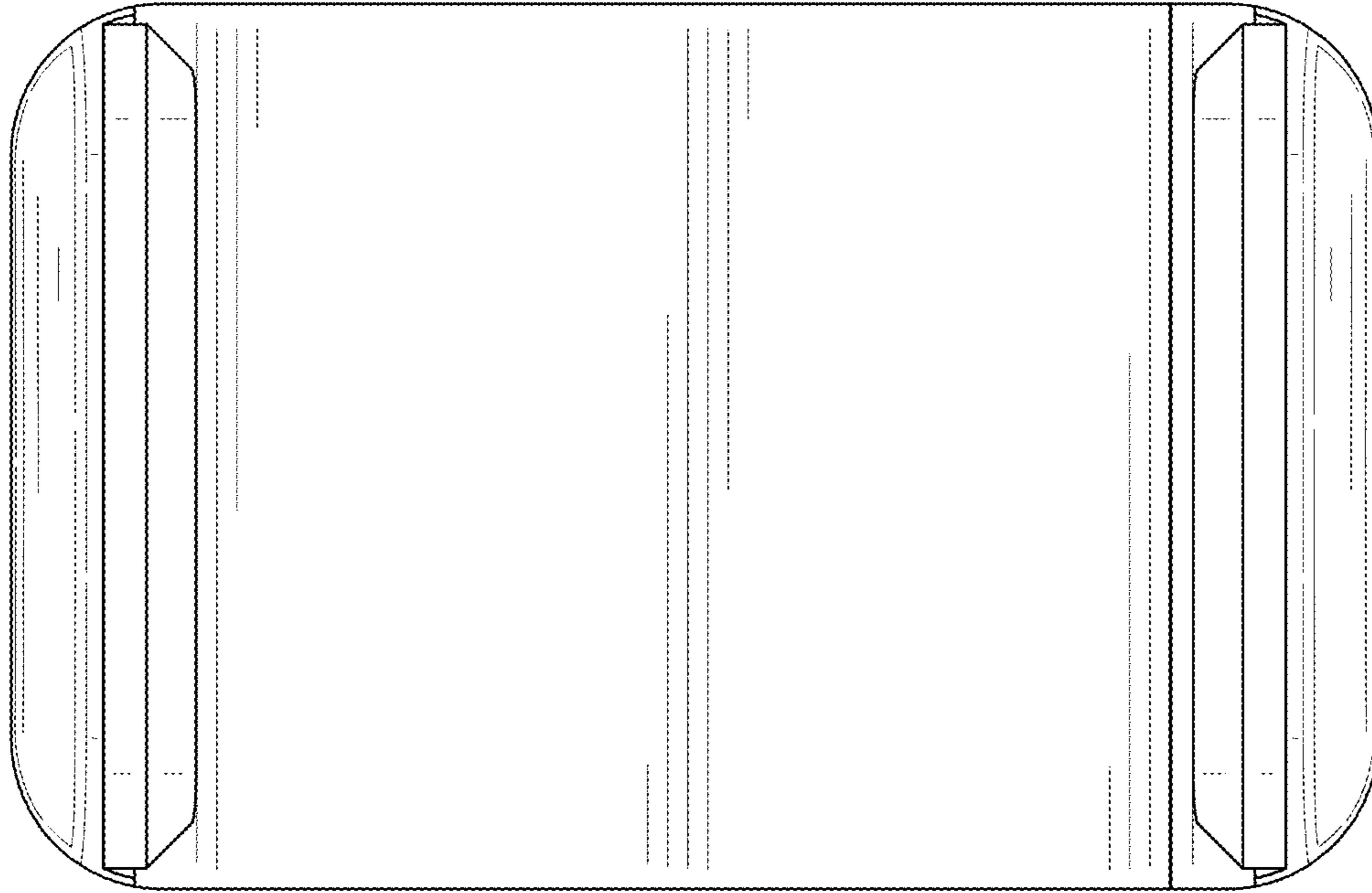


FIG. 8