



US00D881181S

(12) **United States Design Patent** (10) **Patent No.:** **US D881,181 S**
Wright et al. (45) **Date of Patent:** **** Apr. 14, 2020**

(54) **SLEEVE FOR ELECTRONIC DEVICE**

FOREIGN PATENT DOCUMENTS

(71) Applicant: **CATALYST LIFESTYLE LIMITED**,
North Point (HK)

CN 3160446 S 9/2000
CN 301100826 S 1/2010

(Continued)

(72) Inventors: **Joshua Wright**, Hong Kong (CN);
June Lai, Hong Kong (CN)

OTHER PUBLICATIONS

(73) Assignee: **Catalyst Lifestyle Limited**, North Point
(HK)

This AirPods Accessory is strangely awesome—Catalyst AirPods Case, publication date Apr. 7, 2017, [online][site visited Sep. 9, 2019] URL: <https://www.cnet.com/news/coming-soon-a-waterproof-case-for-your-airpods-case/> (Year: 2017).*

(**) Term: **15 Years**

(Continued)

(21) Appl. No.: **29/672,548**

(22) Filed: **Dec. 6, 2018**

Primary Examiner — Susan E Krakower

Assistant Examiner — L. A. Grabenstetter

(51) **LOC (12) Cl.** **14-03**

(74) *Attorney, Agent, or Firm* — Dinsmore & Shohl LLP

(52) **U.S. Cl.**
USPC **D14/250; D3/218**

(57) **CLAIM**

(58) **Field of Classification Search**

The ornamental design for a sleeve for electronic device, as shown and described.

USPC D3/201, 212, 207, 208, 218, 294, 299,
D3/300, 303; D10/30; D24/201, 205,
D24/217, 250, 251, 440, 447; D28/66,
D28/76; D14/201, 205, 217, 250, 251,
D14/440, 447
CPC . H04R 1/1016; H04R 1/105; A45C 2011/001;
A45C 2011/002; A45C 2011/003; B65D
2585/6835

DESCRIPTION

See application file for complete search history.

FIG. 1 is a perspective view including a front, top and one side of the sleeve for electronic device;
FIG. 2 is a front elevation view of the sleeve for electronic device of FIG. 1;
FIG. 3 is a rear elevation view of the sleeve for electronic device of FIG. 1;
FIG. 4 is a side elevation view of the sleeve for electronic device of FIG. 1;
FIG. 5 is an opposite side elevation view of the sleeve for electronic device of FIG. 1;
FIG. 6 is a top plan view of the sleeve for electronic device of FIG. 1; and,
FIG. 7 is a bottom plan view of the bottom of the sleeve for electronic device of FIG. 1.
The broken lines depict portions of the sleeve for electronic device that form no part of the claimed design.

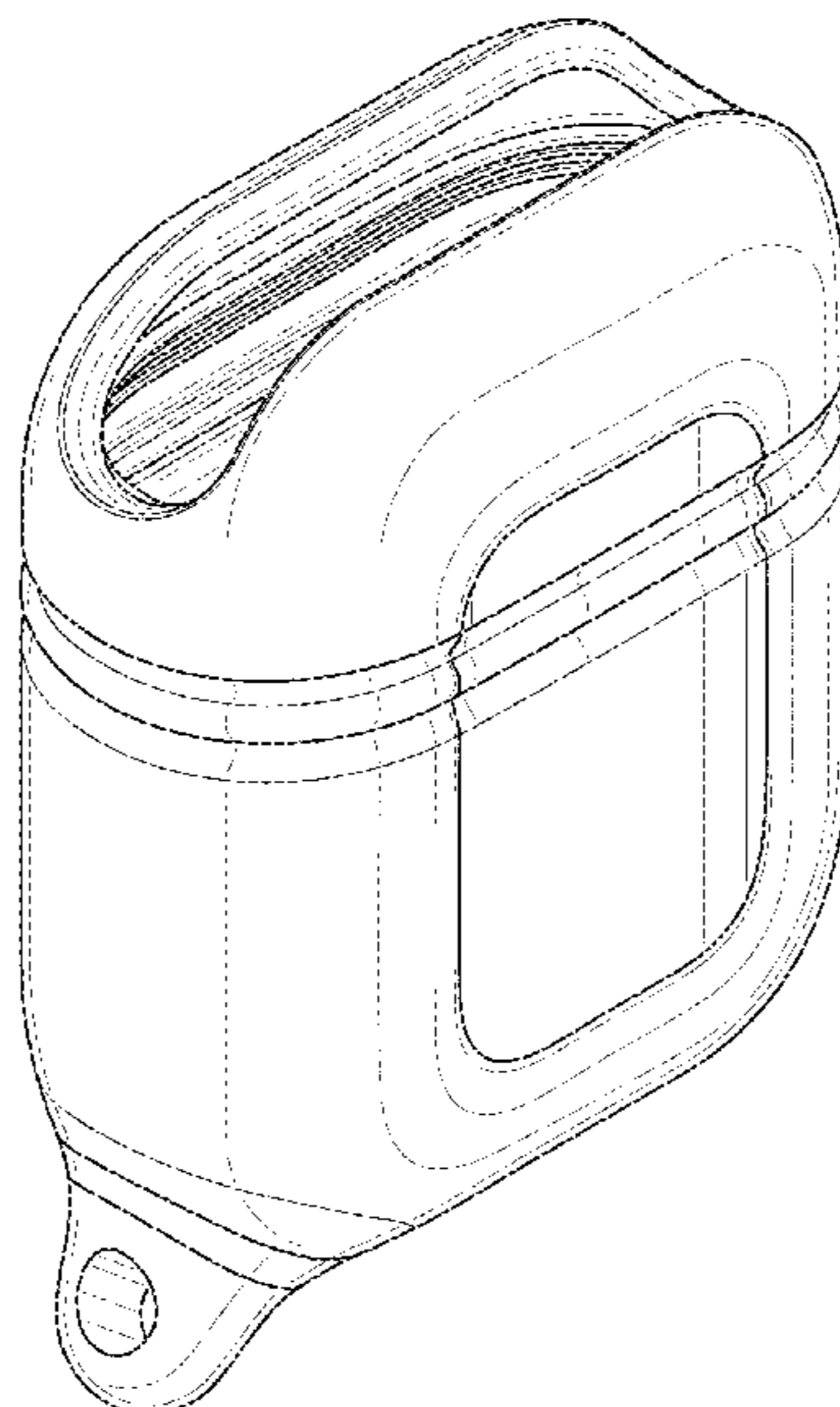
(56) **References Cited**

U.S. PATENT DOCUMENTS

D323,929 S 2/1992 Hodson
D362,542 S 9/1995 Richards et al.
D375,197 S 11/1996 Laherty
D377,788 S 2/1997 Carlson
D393,148 S * 4/1998 Petruzzi D3/208
5,740,624 A 4/1998 Baseley
D399,604 S * 10/1998 Wolff D28/66
D405,256 S 2/1999 Chacon et al.

(Continued)

1 Claim, 7 Drawing Sheets



(56)

References Cited

U.S. PATENT DOCUMENTS

6,305,538 B1 10/2001 Jackson
 D467,799 S 12/2002 Persson
 D475,696 S 6/2003 Hussaini et al.
 D478,721 S * 8/2003 Anderton D3/208
 6,817,470 B1 11/2004 Goldberg
 D503,851 S * 4/2005 Landow D3/212
 D531,618 S 11/2006 Kennemer et al.
 D558,973 S 1/2008 Hussaini et al.
 7,347,325 B2 3/2008 O'Neill et al.
 D569,608 S * 5/2008 Rowe D3/203.1
 D570,597 S * 6/2008 Klein D14/484.1
 D592,400 S 5/2009 Nelson
 D594,659 S 6/2009 Lown et al.
 D595,952 S 7/2009 Nussberger
 D596,393 S 7/2009 Leung et al.
 D599,546 S 9/2009 Lown et al.
 D600,913 S 9/2009 Kalbach
 7,584,841 B2 9/2009 Chan et al.
 D601,366 S 10/2009 Barabas et al.
 D604,040 S * 11/2009 Fleming D3/207
 D620,259 S 7/2010 Fahrendorff et al.
 D623,399 S * 9/2010 McSweyn D14/480.5
 7,855,529 B2 12/2010 Liu
 D666,408 S * 9/2012 Neely, III D3/208
 D666,824 S 9/2012 Phillips et al.
 D669,272 S * 10/2012 Yang D3/303
 D670,497 S 11/2012 Phillips et al.
 D672,642 S 12/2012 Supranowicz
 8,399,764 B2 3/2013 Klosky
 D681,613 S 5/2013 Magness et al.
 D692,664 S * 11/2013 Rashid D3/303
 D707,041 S * 6/2014 Park D3/215
 D711,866 S * 8/2014 Kawata D14/250
 D714,296 S 9/2014 Fujioka
 8,831,538 B2 9/2014 Yuen
 D718,750 S 12/2014 Young et al.
 D720,096 S 12/2014 McDougall
 D720,718 S * 1/2015 Stevinson D14/205
 8,961,015 B1 2/2015 Bihn
 D735,991 S * 8/2015 Brennan D3/218
 D740,653 S * 10/2015 Akana D9/418
 D751,558 S * 3/2016 Lee D10/103
 D764,476 S 8/2016 Gleason, III et al.
 D766,905 S * 9/2016 Lee D14/440
 D769,879 S * 10/2016 Kim D14/440
 D775,818 S * 1/2017 Ingraham D3/218
 D780,740 S * 3/2017 Kim D14/250
 D781,295 S 3/2017 Tur
 D790,512 S * 6/2017 Lee D14/217
 D794,617 S * 8/2017 Wright D14/203.3
 D794,618 S * 8/2017 Wright D14/203.3

D800,700 S * 10/2017 Bergman D14/217
 D806,388 S * 1/2018 Akana D3/294
 D808,791 S 1/2018 Johnston et al.
 D812,065 S 3/2018 Shim
 D818,268 S 5/2018 Akana et al.
 D838,723 S 1/2019 Wang
 D846,264 S 4/2019 Wu
 D849,401 S 5/2019 Akana et al.
 D854,022 S 7/2019 Chen
 D864,971 S 10/2019 Lee et al.

FOREIGN PATENT DOCUMENTS

CN	301206950 S	5/2010
CN	301304263 S	8/2010
CN	301908776 S	5/2012
CN	302075062 S	9/2012
CN	302246979 S	12/2012
CN	302302598 S	1/2013
CN	302706977 S	1/2014
CN	302822402 S	5/2014
CN	303054765 S	12/2014
CN	303092548 S	2/2015
CN	304021713 S	2/2017
CN	304239640 S	8/2017
CN	304317772 S	10/2017
CN	304335071 S	10/2017
CN	304335072 S	10/2017
CN	304342633 S	11/2017
CN	304344793 S	11/2017
CN	304351321 S	11/2017
CN	304362692 S	11/2017
CN	304372544 S	11/2017
CN	304382968 S	12/2017
CN	304382972 S	12/2017
CN	304469866 S	1/2018
CN	304477001 S	1/2018
CN	304493923 S	2/2018
CN	304499444 S	2/2018
CN	304501780 S	2/2018
CN	304504641 S	2/2018
CN	304539055 S	3/2018
JP	D1574277	3/2017
KR	300355285	6/2004
KR	300384969	6/2005

OTHER PUBLICATIONS

This glow-in-the-dark, waterproof AirPods case—Catalist AirPods Case, publication date Apr. 14, 2017, [online][site visited Sep. 9, 2019] URL: <https://www.theverge.com/circuitbreaker/2017/4/14/15306100/catalyst-case-airpods-sale-glow-in-the-dark> (Year: 2017).*

* cited by examiner

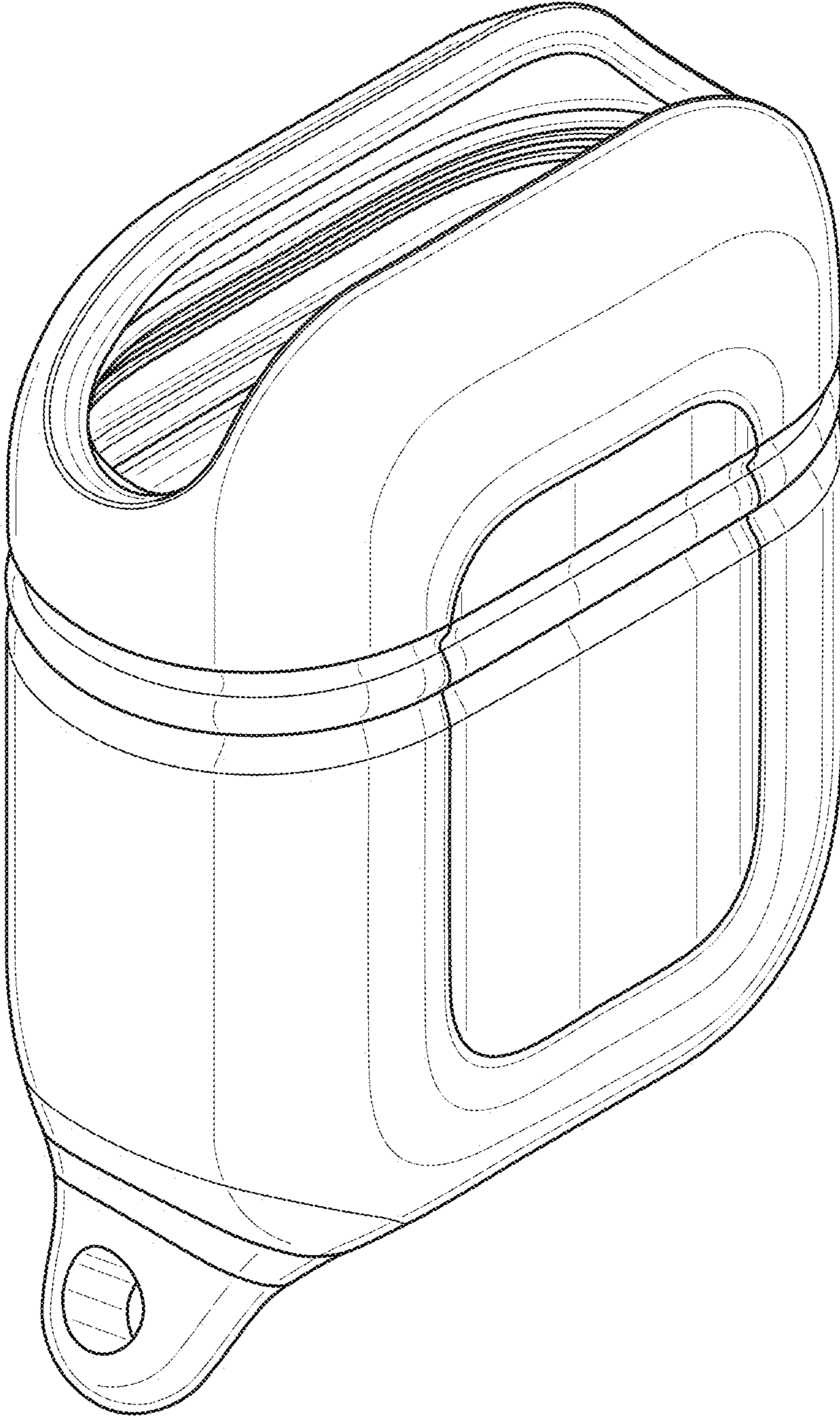


FIG. 1

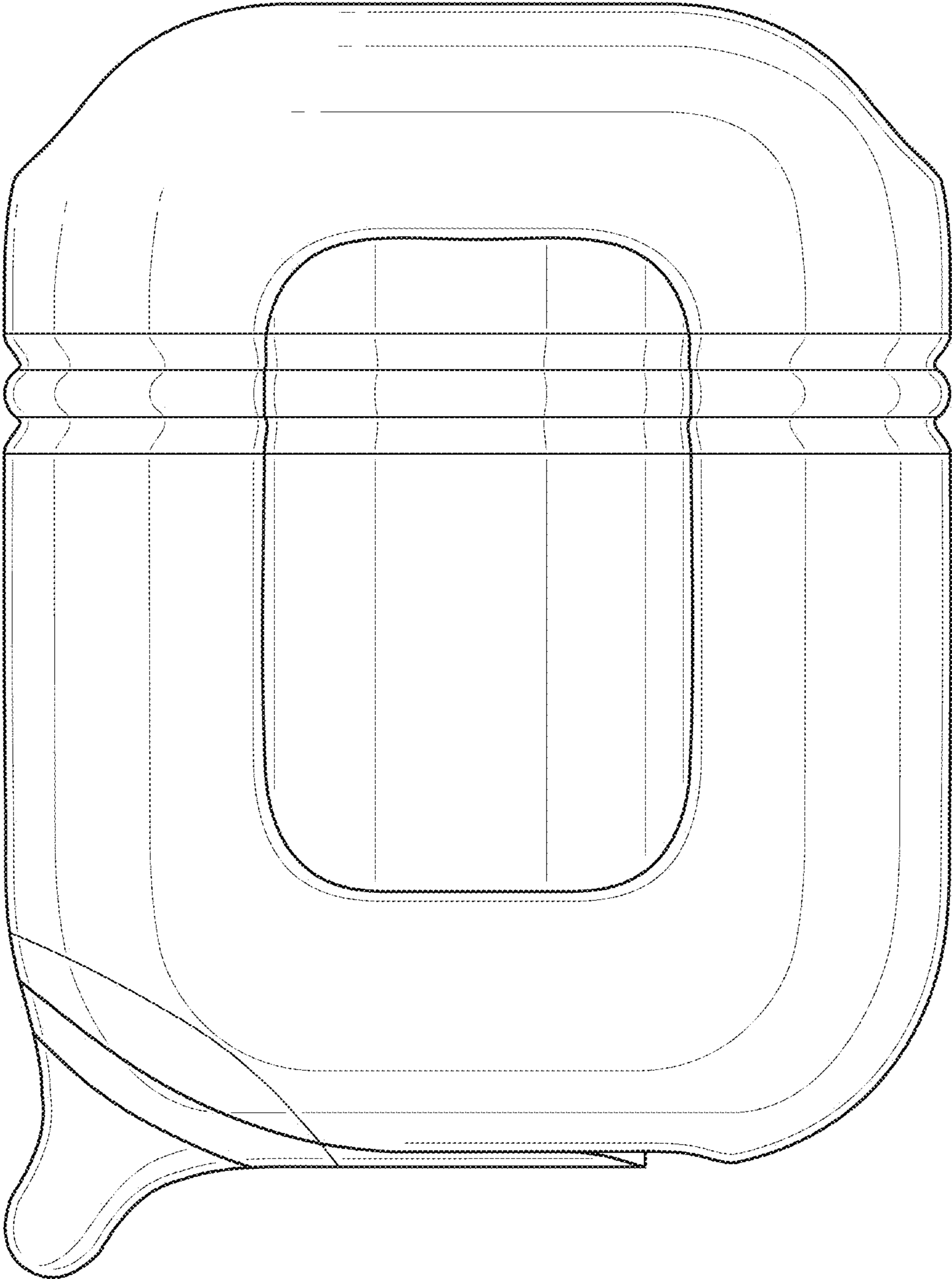


FIG. 2

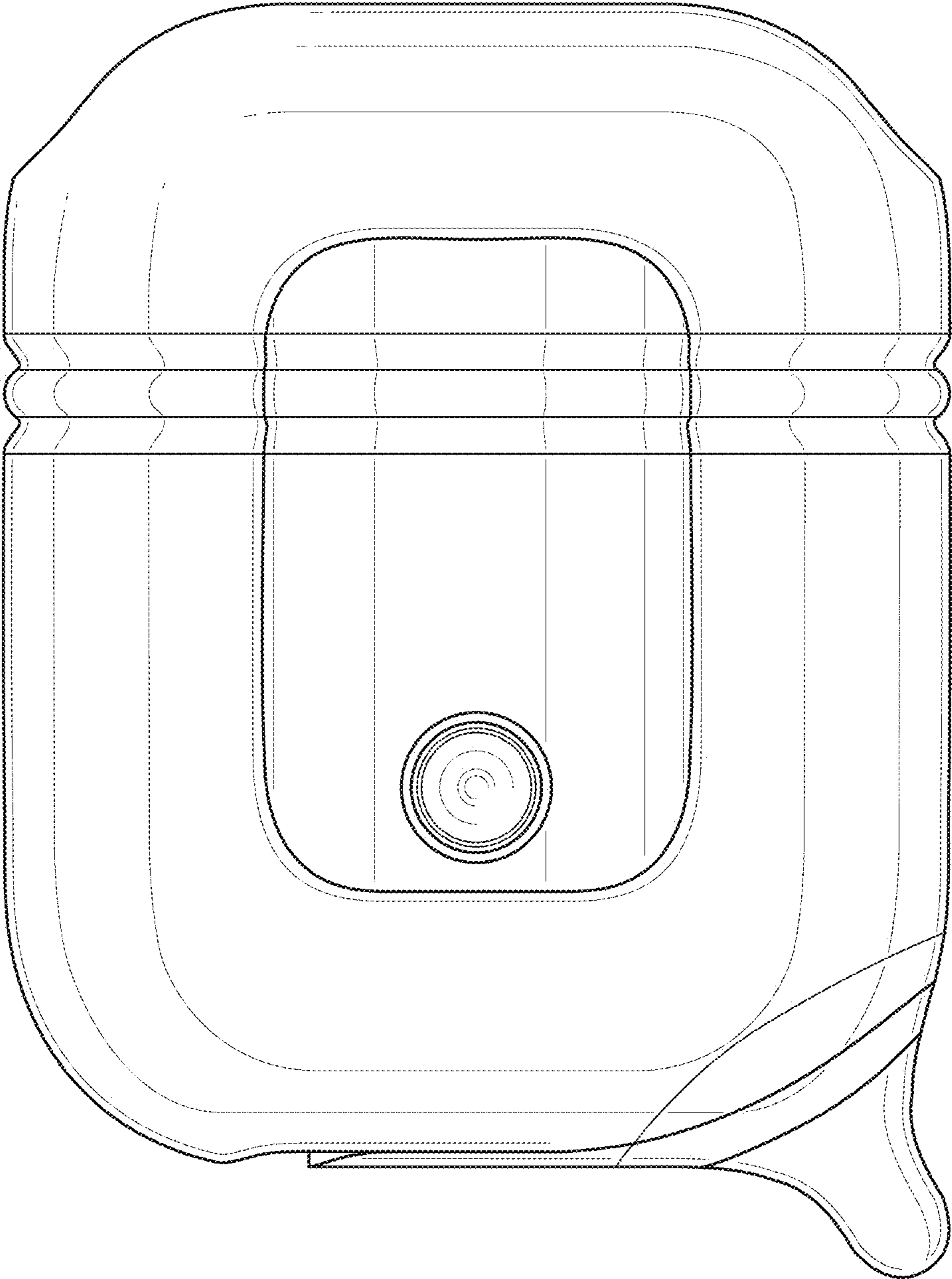


FIG. 3

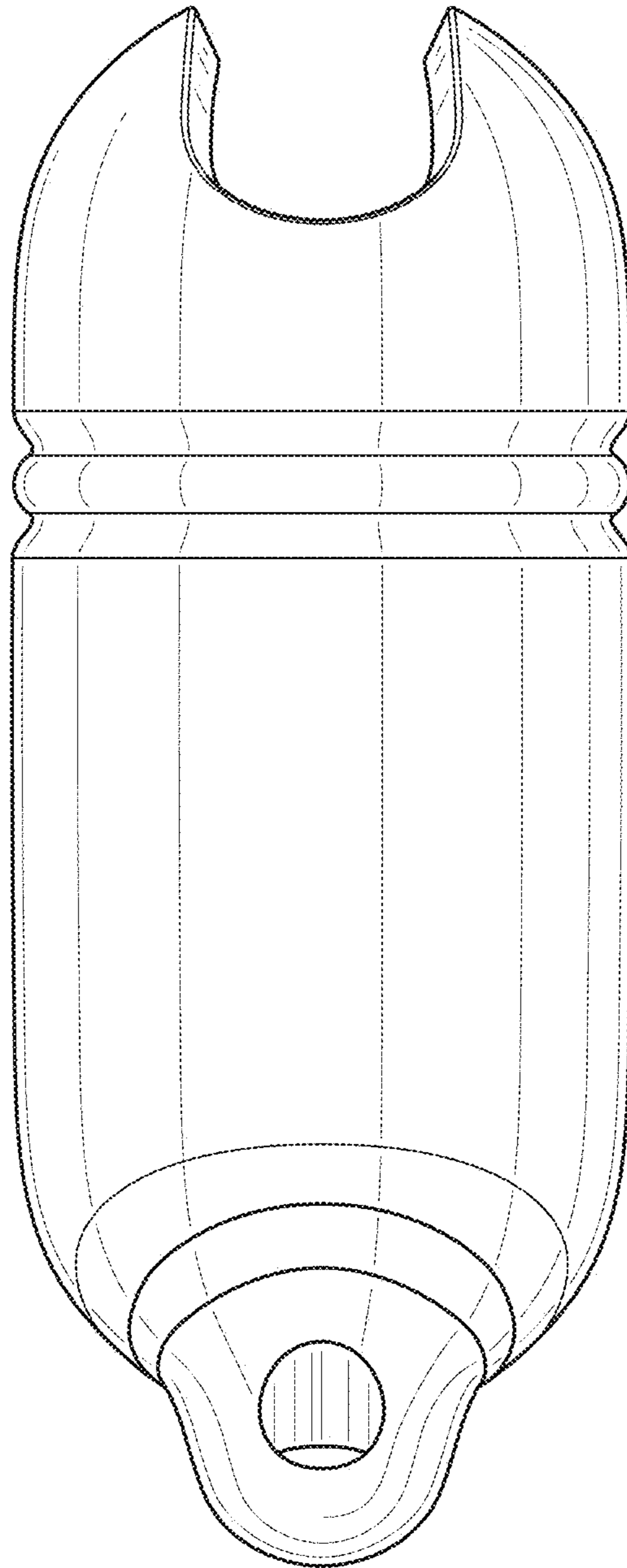


FIG. 4

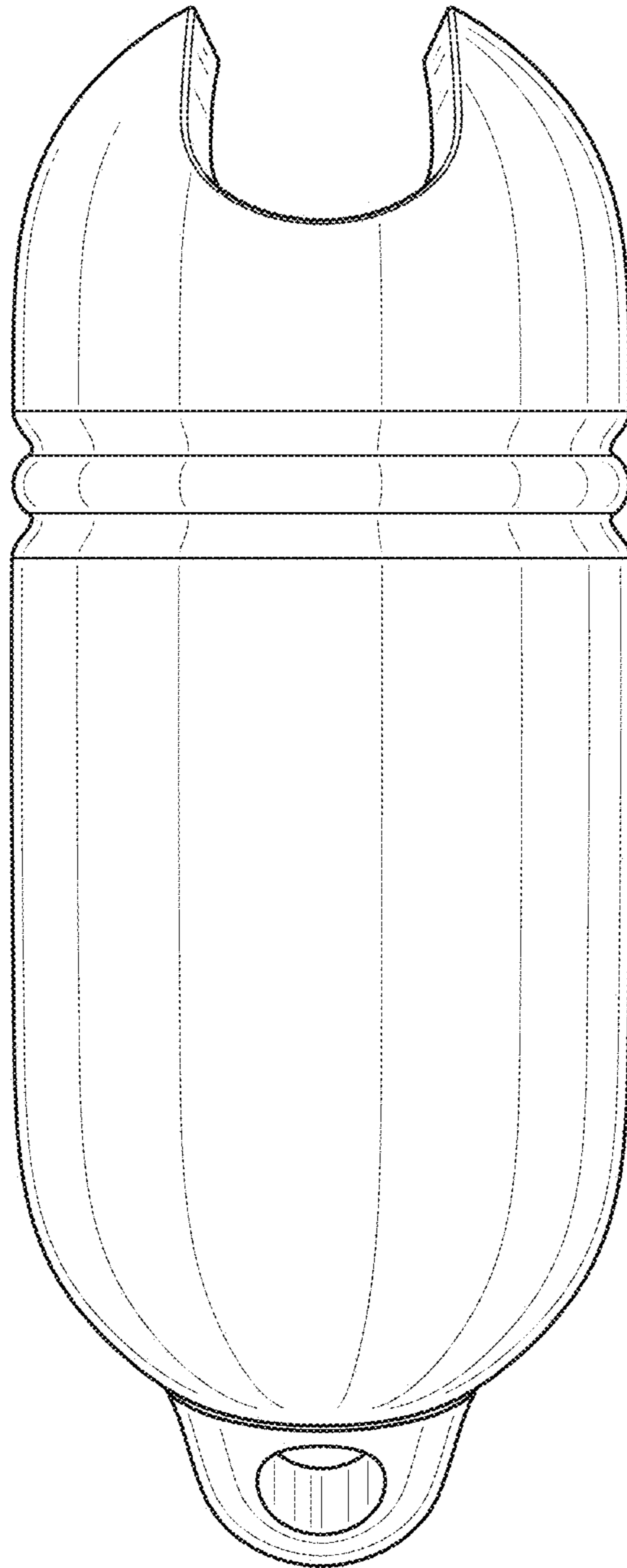


FIG. 5

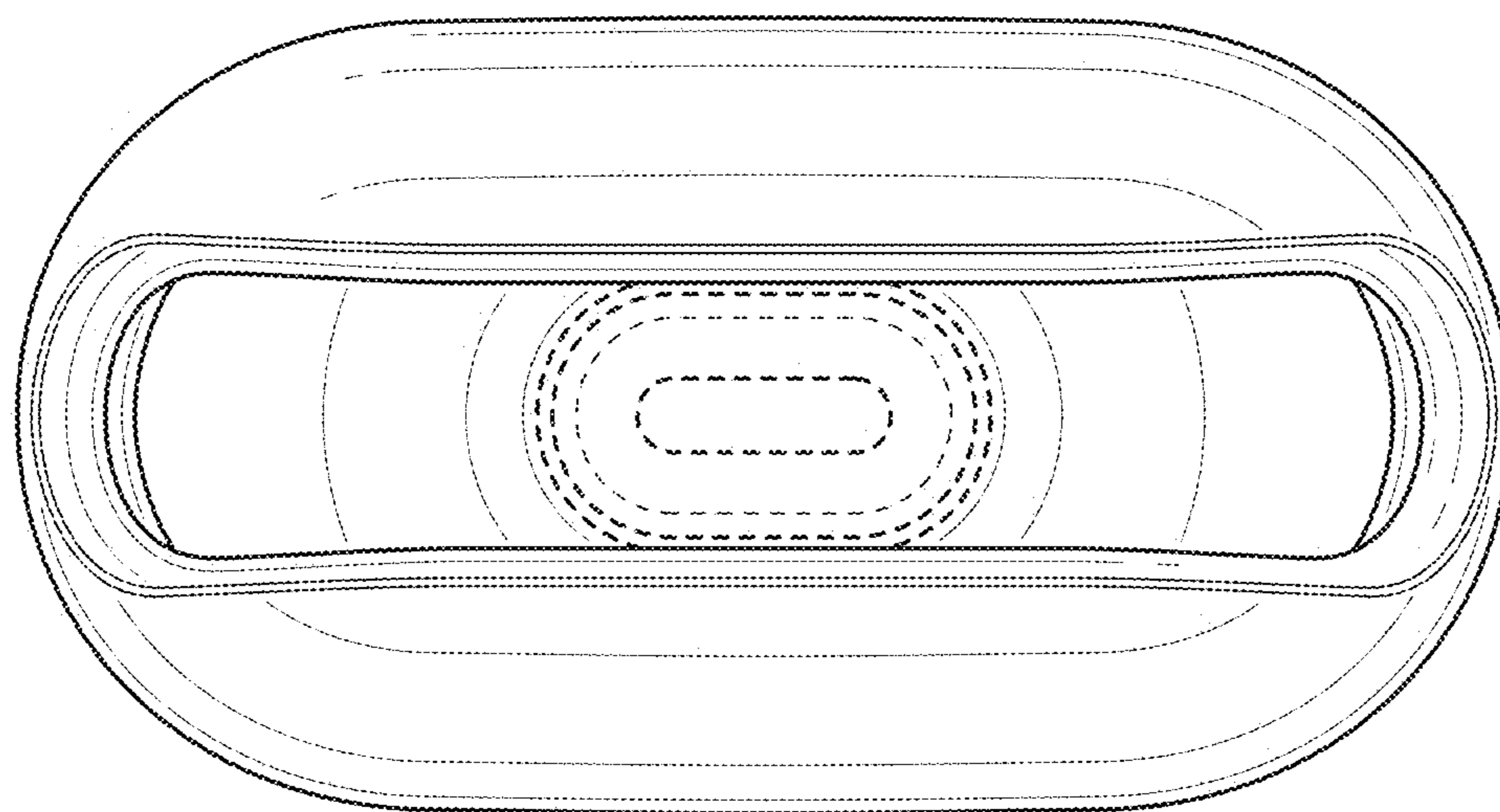


FIG. 6

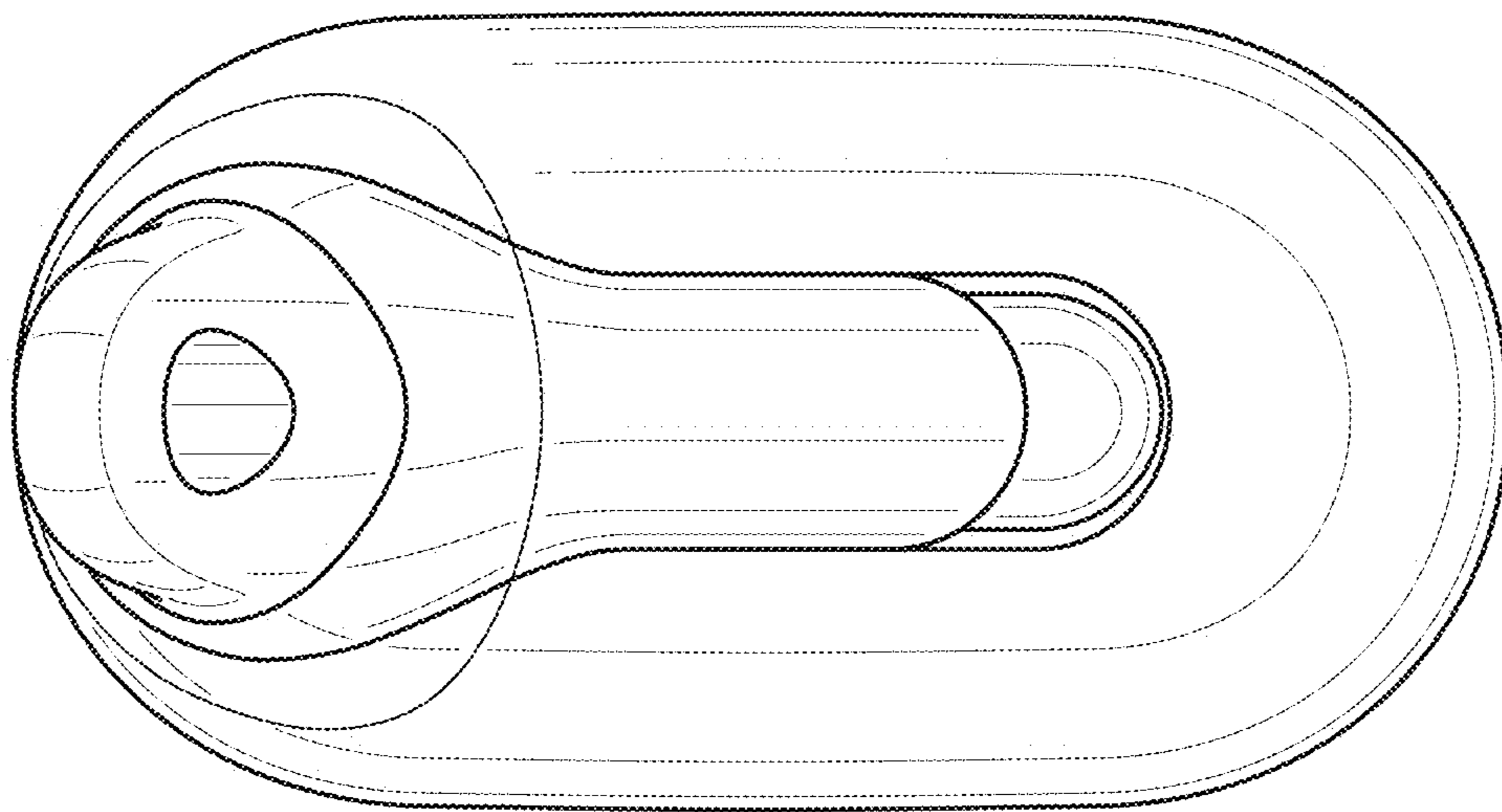


FIG. 7