



US00D881178S

(12) **United States Design Patent**
Jung

(10) **Patent No.:** **US D881,178 S**
(45) **Date of Patent:** **** Apr. 14, 2020**

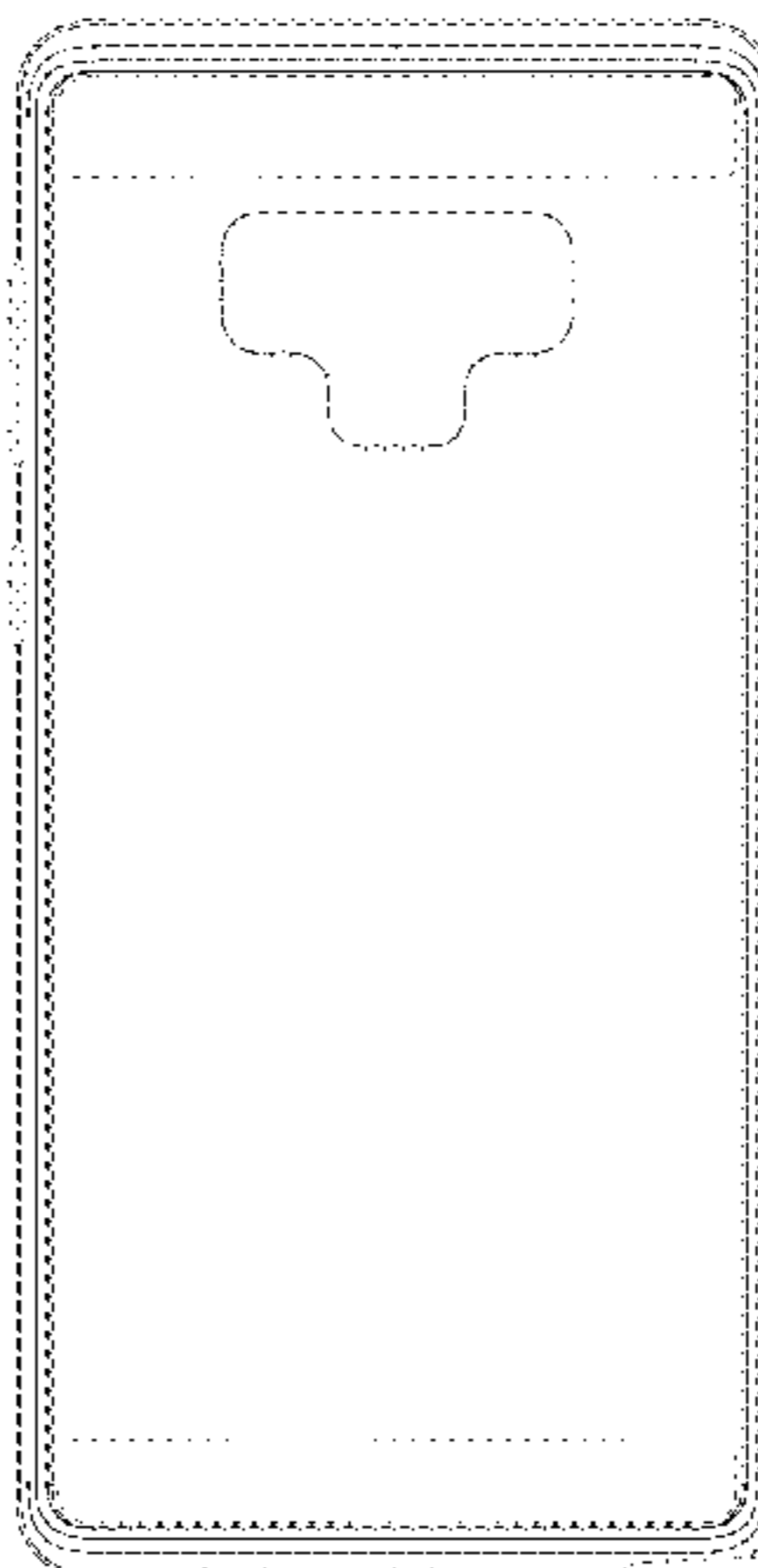
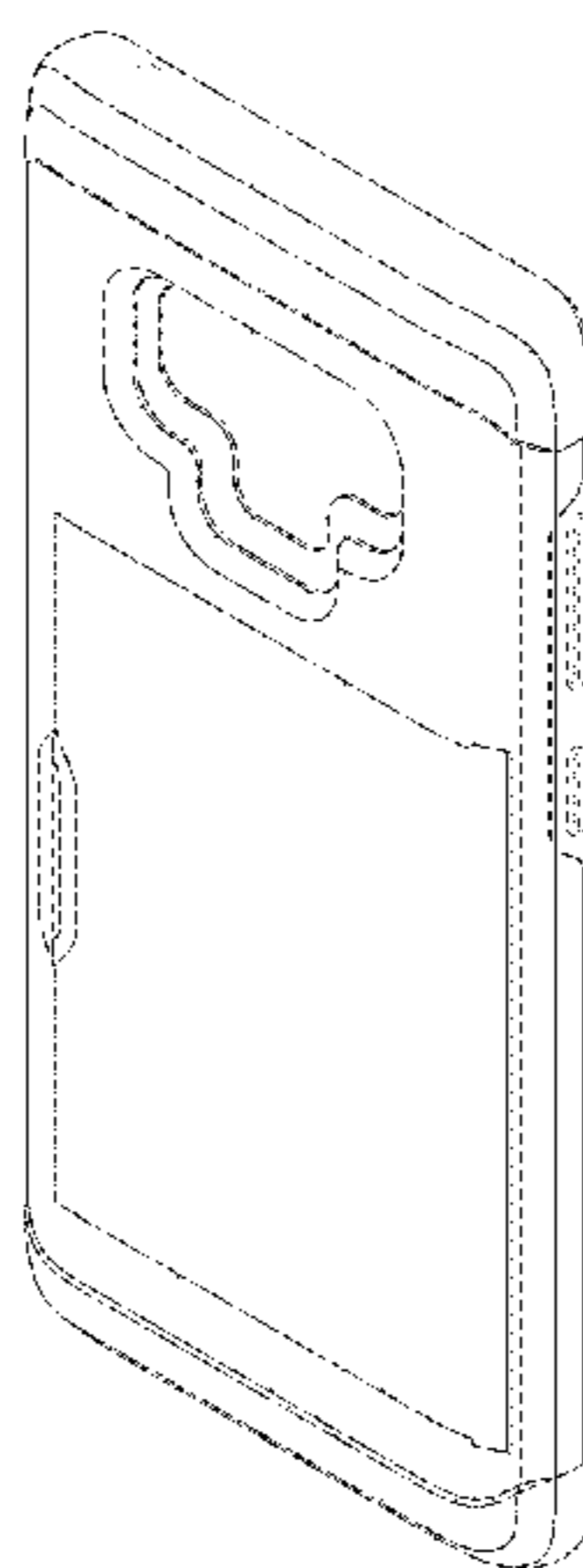
- (54) **CASE FOR SMART PHONE**
- (71) Applicant: **SPIGEN KOREA CO., LTD.**, Seoul (KR)
- (72) Inventor: **Soo Ha Jung**, Seoul (KR)
- (73) Assignee: **Spigen Korea CO., LTD.**, Seoul (KR)
- (**) Term: **15 Years**
- (21) Appl. No.: **29/660,343**
- (22) Filed: **Aug. 20, 2018**
- (51) **LOC (12) Cl.** **14-03**
- (52) **U.S. Cl.**
USPC **D14/250**
- (58) **Field of Classification Search**
USPC D14/439, 203.3-203.7, 447, 238.1,
D14/251-253, 217, 240, 250, 440, 248;
D3/201, 218, 247, 269, 273, 301, 303;
D13/107-108, 103, 119
CPC H04B 1/3888; H04M 1/0283; H04M
1/0202; A45C 1/06; A45C 11/00; A45C
13/02; A45C 2011/002; A45F 2005/026;
A45F 2200/0525; A45F 2200/0516
See application file for complete search history.

- D705,764 S * 5/2014 Thoni D14/250
- 8,726,952 B2 5/2014 Jambunathan et al.
- D707,965 S 7/2014 Requa
- D712,891 S 9/2014 Fathollahi
- D713,834 S * 9/2014 Almstrom D14/250
- D716,045 S 10/2014 Requa
- D723,532 S * 3/2015 Stevinson D14/250
- D725,643 S 3/2015 Lee et al.
- 8,971,975 B2 3/2015 Ramies et al.
- 9,049,283 B1 6/2015 Kim
- D741,845 S 10/2015 Kim
- D743,931 S 11/2015 Hubbard et al.
- D746,805 S 1/2016 Kim
- 9,241,551 B2 1/2016 Lawson et al.
- D749,068 S 2/2016 Zaborski et al.
- D749,557 S 2/2016 Feng
- D753,099 S 4/2016 Kim
- D756,911 S 5/2016 Gupta et al.
- D759,966 S 6/2016 Pignotti
- D763,842 S 8/2016 Chang et al.
- D765,069 S 8/2016 Jefferey
- D765,635 S 9/2016 Chang et al.
- D765,638 S 9/2016 Gaylord et al.
- D765,640 S 9/2016 Bulkley et al.
- D765,641 S 9/2016 Bulkley et al.
- D775,620 S 1/2017 Kim
- D776,646 S 1/2017 Deng
- D780,163 S 2/2017 Fathollahi
- D780,164 S 2/2017 Lee
- D781,835 S 3/2017 Kim et al.
- D788,093 S 5/2017 Lee et al.
- 9,661,116 B1 * 5/2017 Chung A45C 11/00
- D798,286 S 9/2017 Roberts et al.
- D800,713 S * 10/2017 Kim D14/250
- D800,714 S 10/2017 Lee et al.
- D801,323 S 10/2017 Kim
- D803,206 S * 11/2017 Kim D14/250
- D830,352 S 10/2018 Chung
- D834,010 S * 11/2018 Kim D14/250
- D837,774 S * 1/2019 Koo D14/250
- D837,775 S * 1/2019 Koo D14/250
- 2013/0095898 A1 * 4/2013 Altschul H04M 1/0283
455/575.8
- 2014/0370946 A1 * 12/2014 Daniell H04M 1/0283
455/575.8
- 2015/0141082 A1 * 5/2015 Ehrlich H04B 1/3888
455/575.1
- 2016/0269516 A1 * 9/2016 Kim H04M 1/04
- 2016/0324285 A1 * 11/2016 Zavala A45C 11/321
- 2016/0374443 A1 * 12/2016 Kim A45C 11/182
206/38
- 2017/0086557 A1 * 3/2017 Choi A45C 15/00

(56) **References Cited**

U.S. PATENT DOCUMENTS

- D615,078 S * 5/2010 Bradley D14/250
- D619,361 S 7/2010 Andre et al.
- D624,064 S * 9/2010 Esposito D14/250
- D631,246 S * 1/2011 Boettner D3/203.2
- D646,265 S 10/2011 Fathollahi
- D650,371 S 12/2011 Wibby et al.
- D651,791 S * 1/2012 Cataldo D3/218
- D663,263 S 7/2012 Gupta et al.
- D681,615 S 5/2013 Fathollahi
- D682,196 S 5/2013 Leung
- D688,654 S * 8/2013 Stevinson D14/250
- D688,655 S * 8/2013 Rey-Hipolito D14/250
- 8,504,127 B2 8/2013 Altschul et al.
- 8,517,172 B1 8/2013 Chang
- D703,651 S * 4/2014 Ehrlich D14/250



2017/0230072 A1* 8/2017 Kim H04B 1/3888
 2018/0006676 A1* 1/2018 Zavala A45C 1/08
 2018/0191395 A1* 7/2018 Chung H04B 1/3888

OTHER PUBLICATIONS

“Spigen Slim Armor CS Galaxy S7 Case with Slim Dual Layer Wallet Design and Card Slot Holder for Samsung Galaxy S7 2016—Gunmetal”, <https://www.amazon.com/dp/B01AUR1HF4>, Earliest review date of Mar. 11, 2016, Downloaded on Mar. 21, 2018.

“Spigen Slim Armor CS Galaxy S7 Edge Case with Slim Dual Layer Wallet Design and Card Slot Holder for Galaxy S7 Edge 2016—Gunmetal”, <https://www.amazon.com/dp/B01CTRI5VM>, Earliest review date of Apr. 22, 2016, Downloaded on Mar. 21, 2018.

“iPhone 7 Plus Case, Spigen® [Slim Armor CS] Card Holder [Gunmetal] Slim Fit Dual Layer Protective with Card Slot Holder Wallet Case for iPhone 7 Plus (2016)—(043CS20526)”, <https://www.amazon.co.uk/dp/B01GIWFLQ6>, Date first available at Amazon.co.uk of Aug. 2, 2016, Downloaded on Aug. 23, 2018.

“VRS Design Damda Glide Samsung Galaxy Note 7 Case—Blue Coral”, <https://www.mobilefun.com/vrs-design-damda-glide-samsung-galaxy-note-7-case-blue-coral-60422>, Earliest review date of Sep. 9, 2016, Downloaded on Aug. 23, 2018.

“Galaxy S7 Edge Case Damda Glide Series”, <https://vrsdesign.com/products/damda-glide-series-galaxy-s7-edge-case>, Earliest review posted on 2016, Downloaded on Dec. 17, 2018.

“Galaxy S7 Case, VRS Design [Damda Glide Series] Semi Automatic Card Slot with Military Grade Protection (Satin Silver)”, <https://www.amazon.com/dp/B01LWRTPW>, Earliest review date of Nov. 8, 2016, Downloaded on Aug. 23, 2018.

“iPhone 6 Plus / 6s Plus VRS Design [Damda Glide Series] Semi Automatic Card Slot with Military Grade Protection For Apple iPhone 6 Plus—Rose Gold”, <https://www.amazon.com/dp/B07C1GHCRW>, Earliest review posted on 2016, Downloaded on Aug. 23, 2018.

“iPhone 7 Plus / 8 Plus Case, VRS Design [Damda Glide Series] Semi Automatic Card Slot with Military Grade Protection (Steel Silver)”, <https://www.amazon.com/DP/B01LY0IWRH>, Earliest review date of Oct. 18, 2016, Downloaded on Aug. 23, 2018.

“VRS Design [Damda Glide Series] Semi Automatic Card Slot Shockproof Case Compatible with Apple iPhone 7 / 8—(Steel Silver)”, <https://www.amazon.com/dp/B01LXD3F6L>, Earliest review date of Oct. 11, 2016, Downloaded on Aug. 23, 2018.

“iPhone 6/6s Case Damda Glide Series”, <https://vrsdesign.com/products/damda-glide-series-2>, Earliest review posted on 2016, Downloaded on Dec. 17, 2018.

“VRS Design unveils semi-automatic Damda Glide cases for the Samsung Galaxy Note 7”, <https://www.prnewswire.com/news-releases/vrs-design-unveils-semi-automatic-damda-glide-cases-for-the-samsung-galaxy-note-7-300299529.html>, Published on Jul. 18, 2016.

“Galaxy Note 7 Case Preview from VRS Design: Damda Glide Case!”, <https://www.youtube.com/watch?v=3aoPDXLbrRk>, Published on Aug. 1, 2016.

“iPhone 6 Case, Verus [Damda Slide][Dark Silver]—[Wallet Card Slot][Heavy Duty Protection] for Apple iPhone 6 4.7”, <https://www.amazon.com/dp/B01EO2PE1O>, Earliest review date of May 24, 2016, Downloaded Sep. 11, 2017.

“Galaxy Note 4 Case, Verus [Damda Slide][Dark Silver]—[Wallet Card Slot][Heavy Duty Protection] For Samsung Note 4”, <https://www.amazon.com/dp/B00MJE6I0G>, Earliest review date of Oct. 18, 2014, Downloaded Sep. 11, 2017.

“Galaxy Note 5 Case, Verus [Damda Slide][Dark Silver]—[Wallet Card Slot][Heavy Duty Protection] for Samsung Note 5”, <https://www.amazon.com/dp/B00VN6E8KS>, Earliest review date of Aug. 24, 2015, Downloaded Sep. 11, 2017.

“Galaxy S6 Edge Case, Verus [Damda Slide][Dark Silver]—[Wallet Card Slot][Heavy Duty Protection] For Samsung galaxy s6 edge”, <https://www.amazon.com/dp/B00U0MDTEM>, Earliest review date of Apr. 2, 2015, Downloaded Sep. 11, 2017.

“Galaxy S6 Edge Plus Case, Verus [Damda Slide][Dark Silver]—[Wallet Card Slot][Heavy Duty Protection] For Samsung galaxy s6 plus”, <https://www.amazon.com/dp/B013F8CLK0>, Earliest review date of Aug. 29, 2015, Downloaded Sep. 11, 2017.

“iPhone 6 Plus Case, Verus [Damda Slide][Dark Silver]—[Wallet Card Slot][Heavy Duty] for Apple iPhone 6 Plus 5.5”, <https://www.amazon.com/dp/B01EO2P5H2>, Earliest review date of May 26, 2016, Downloaded Sep. 11, 2017.

“iPhone 6S Case, Verus [Damda Slide][Dark Silver]—[Wallet Card Slot][Heavy Duty Protection] for Apple iPhone 6 6s 4.7”, <https://www.amazon.com/dp/B00M9UBQ2A>, Earliest review date of Sep. 16, 2014, Downloaded Sep. 11, 2017.

“iPhone 6S Plus Case, Verus [Damda Slide][Dark Silver]—[Wallet Card Slot][Heavy Duty] for Apple iPhone 6 6s Plus 5.5”, <https://www.amazon.com/dp/B00NHZZ1ZY>, Earliest review date of Oct. 5, 2014, Downloaded Sep. 11, 2017.

“Spigen Crystal Wallet iPhone 7/iPhone 8 Case with Slim Dual Layer Wallet Design and Card Slot Holder for Apple iPhone 7 (2016)/iPhone 8 (2017)—Jet White”, <https://www.amazon.com/dp/B01N3NIB0N>, Earliest review date of Mar. 30, 2017, Downloaded Sep. 5, 2018.

* cited by examiner

Primary Examiner — Carla J Wright
 (74) Attorney, Agent, or Firm — Heedong Chae; Lucem, PC

(57) CLAIM

The ornamental design for a case for smart phone, as shown and described.

DESCRIPTION

FIG. 1 is a front perspective view of a case for smart phone showing my new design;
 FIG. 2 is a rear perspective view thereof;
 FIG. 3 is a front elevational view thereof;
 FIG. 4 is a rear elevational view thereof;
 FIG. 5 is a left side elevational view thereof;
 FIG. 6 is a right side elevational view thereof;
 FIG. 7 is a top plan view thereof;
 FIG. 8 is a bottom plan view thereof;
 FIG. 9 is a front perspective view of the inner shell component of the case shown separately for clarity of disclosure;
 FIG. 10 is a rear perspective view of the inner shell component of the case shown separately for clarity of disclosure;
 FIG. 11 is a front perspective view of the outer frame component of the case shown separately for clarity of disclosure;
 FIG. 12 is a rear perspective view of the outer frame component of the case shown separately for clarity of disclosure;
 FIG. 13 is a front perspective view of the rear compartment cover component of the case shown separately for clarity of disclosure;
 FIG. 14 is a rear perspective view of the rear compartment cover component of the case shown separately for clarity of disclosure;
 FIG. 15 is an exploded front perspective view showing the components of the case separated for clarity of disclosure; and,
 FIG. 16 is an exploded rear perspective view showing the components of the case separated for clarity of disclosure. For clarity of disclosure, the components of the case are shown in isolation in FIGS. 9-14 and separated in FIGS.

15-16. Although the case for smart phone, in which the claimed design is embodied, consists of an inner shell component, an outer frame component, and a rear compartment cover component, the claim is directed to the overall ornamental appearance of the case for smart phone in its entirety and does not extend to the ornamental appearance of each of the individual components.

The broken lines throughout the drawing figures depict portions of the case that form no part of the claimed design. Except for the interior edge of the rear opening, the interior of the case shown in FIGS. **1**, **3**, **9**, and **15** forms no part of the claimed design. The broken lines and regions bounded by broken lines form no part of the claimed design.

1 Claim, 16 Drawing Sheets

FIG. 1

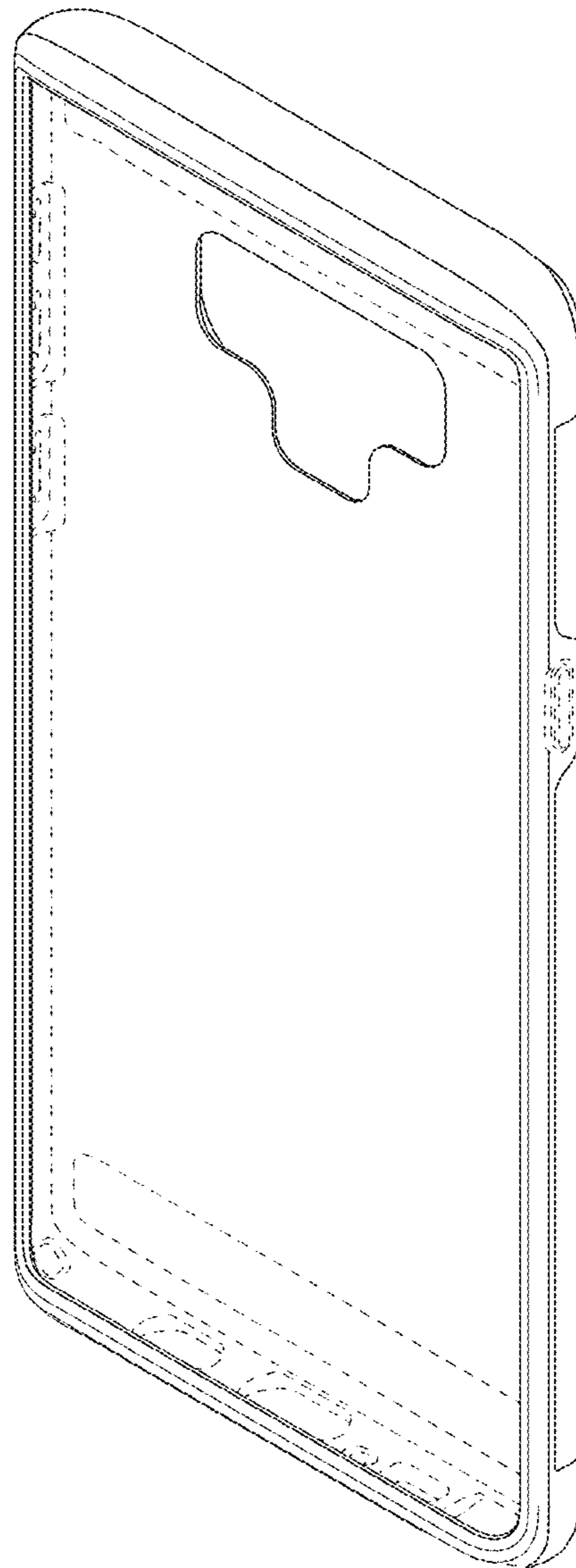


FIG. 2

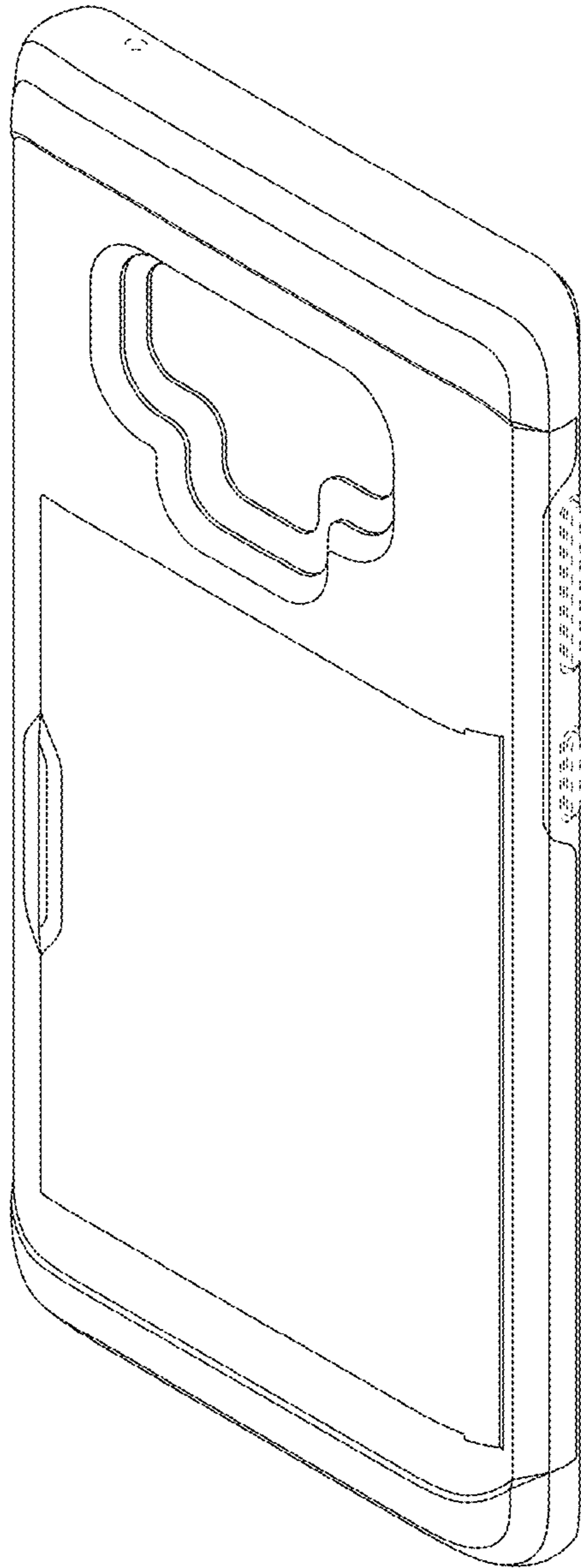


FIG. 3

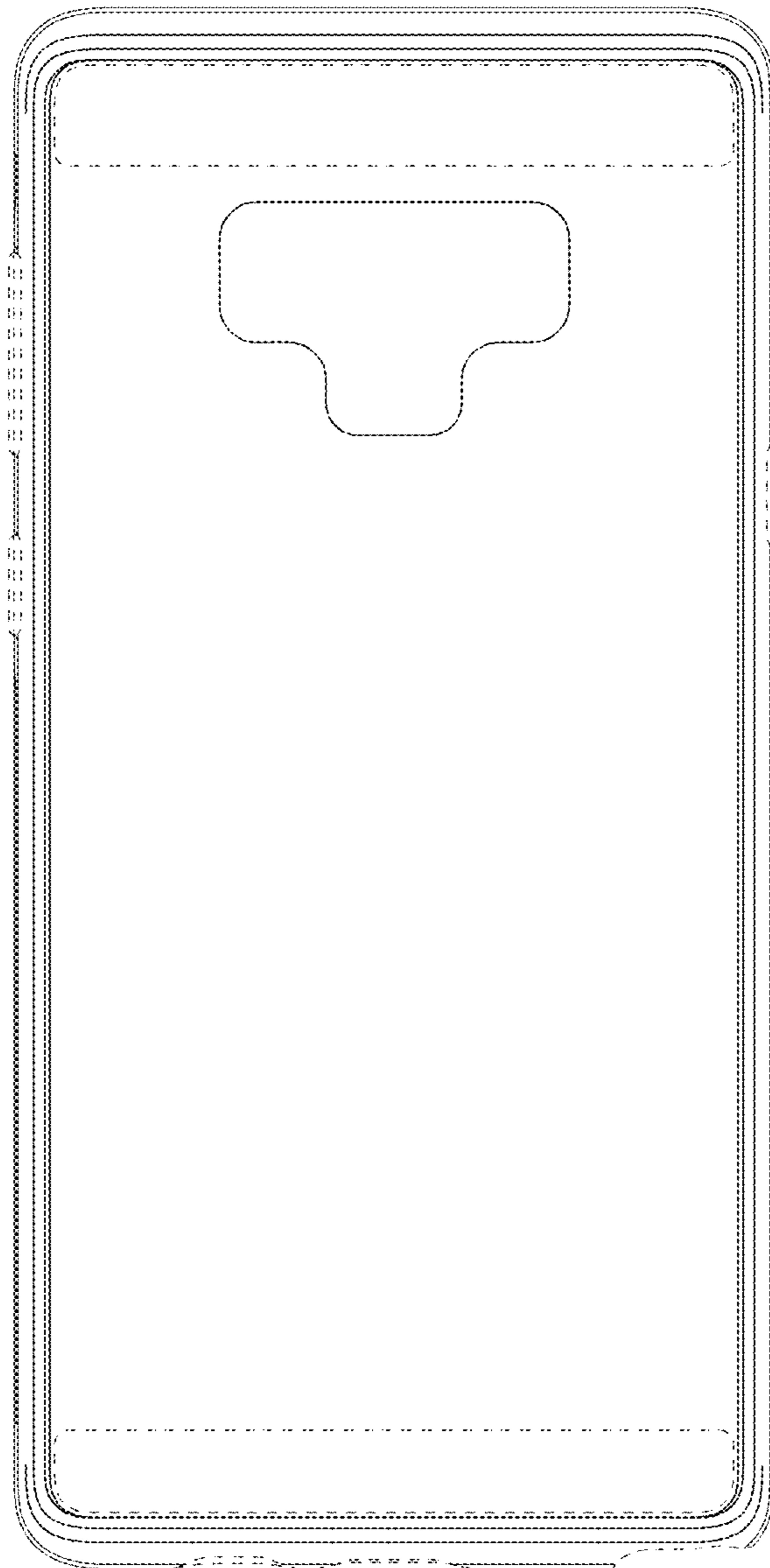


FIG. 4

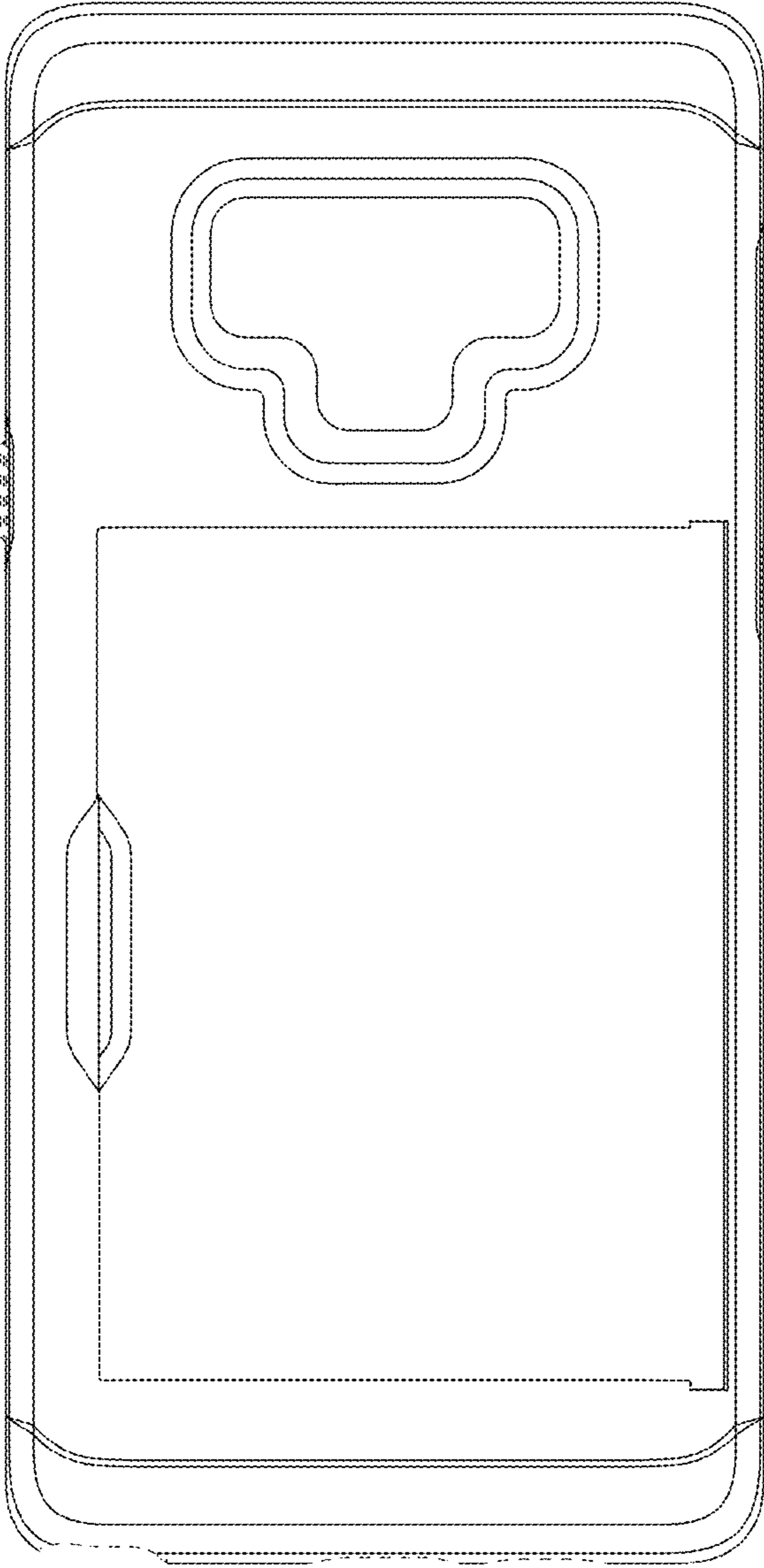


FIG. 5

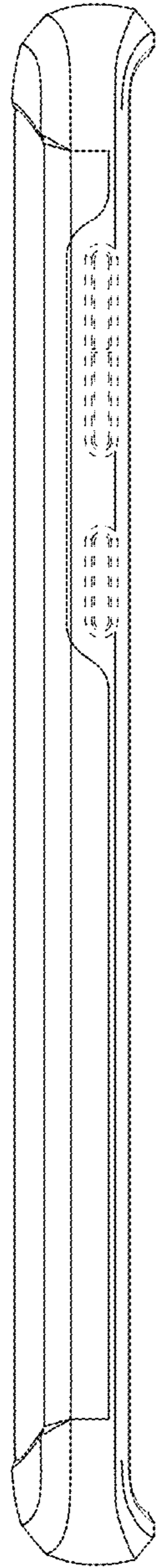


FIG. 6

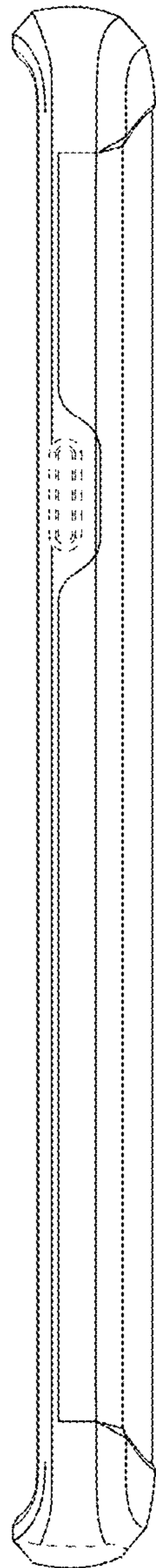


FIG. 7

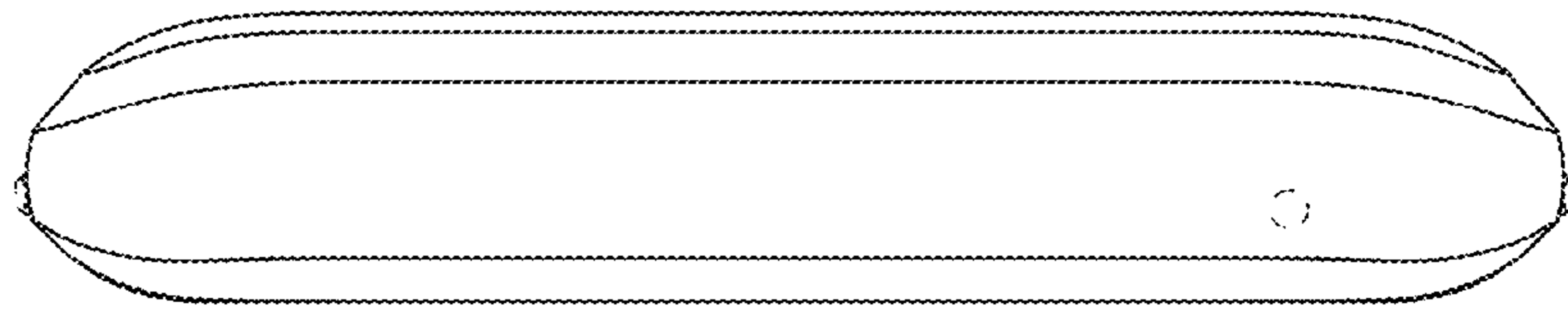


FIG. 8

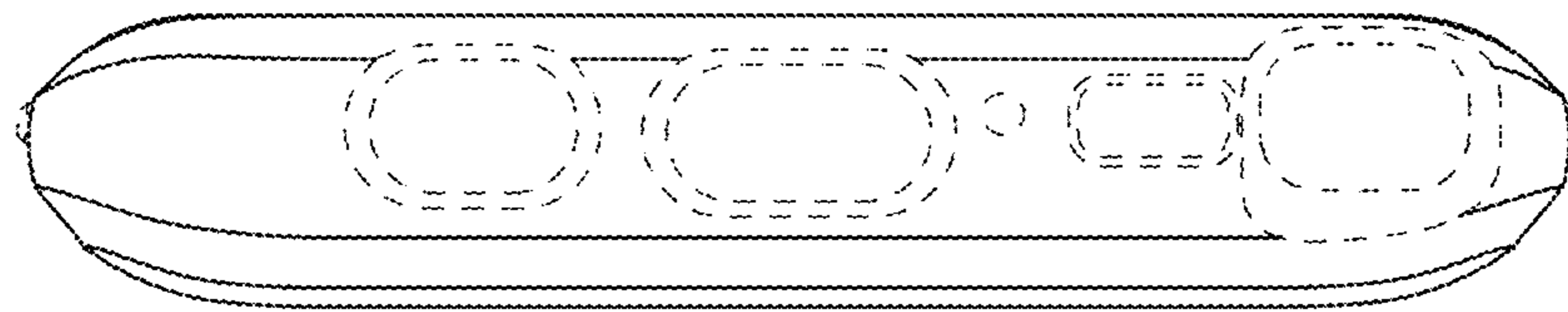


FIG. 9

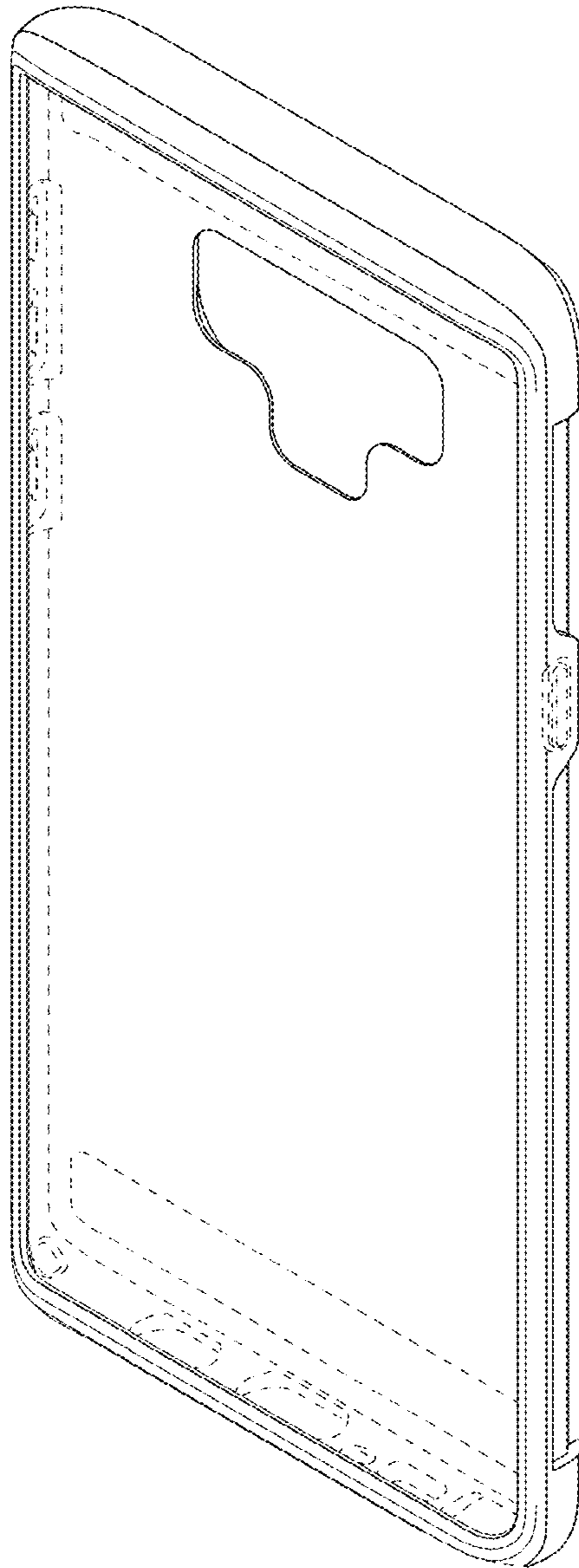


FIG. 10

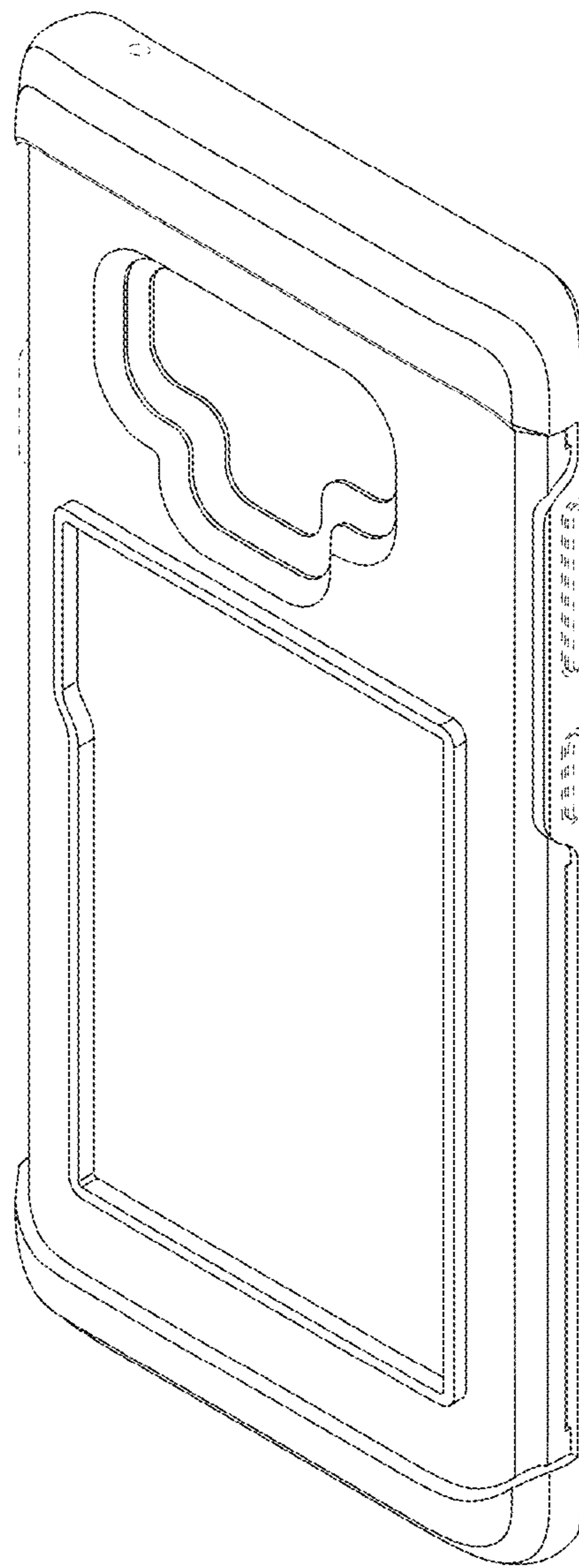


FIG. 11

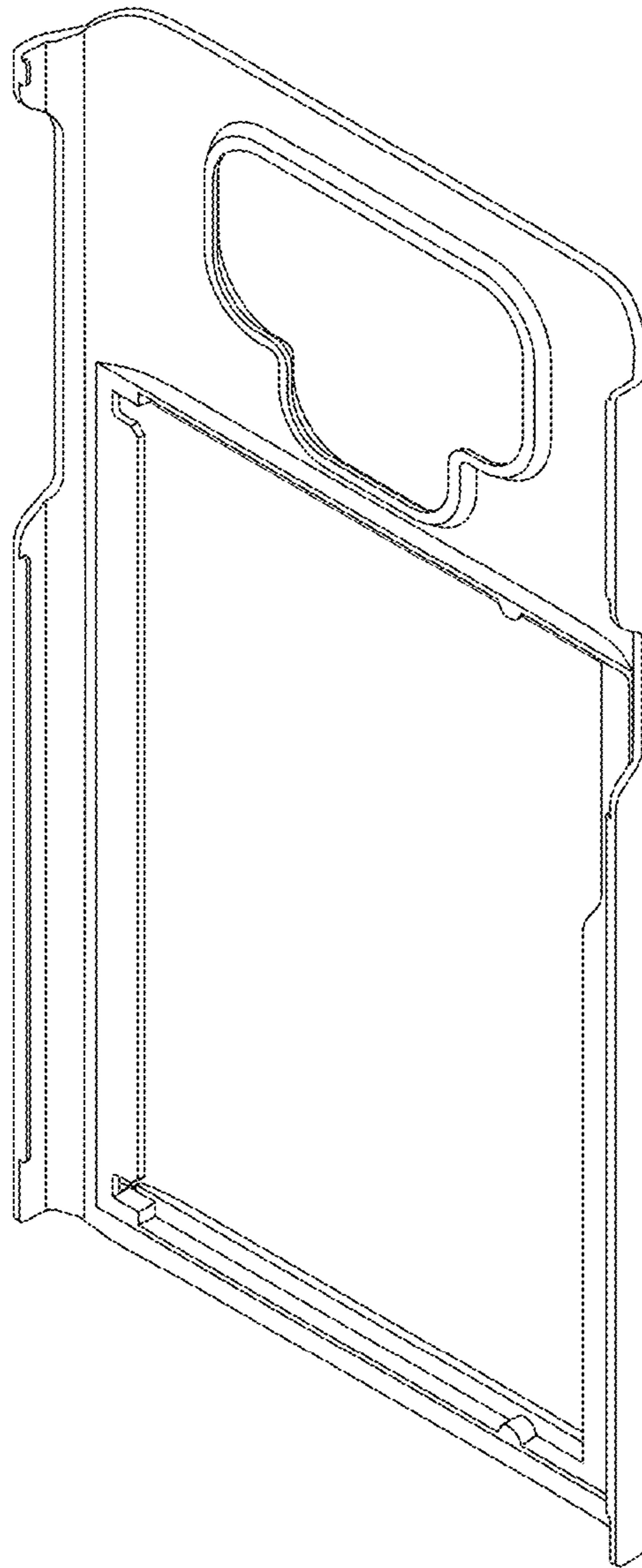


FIG. 12

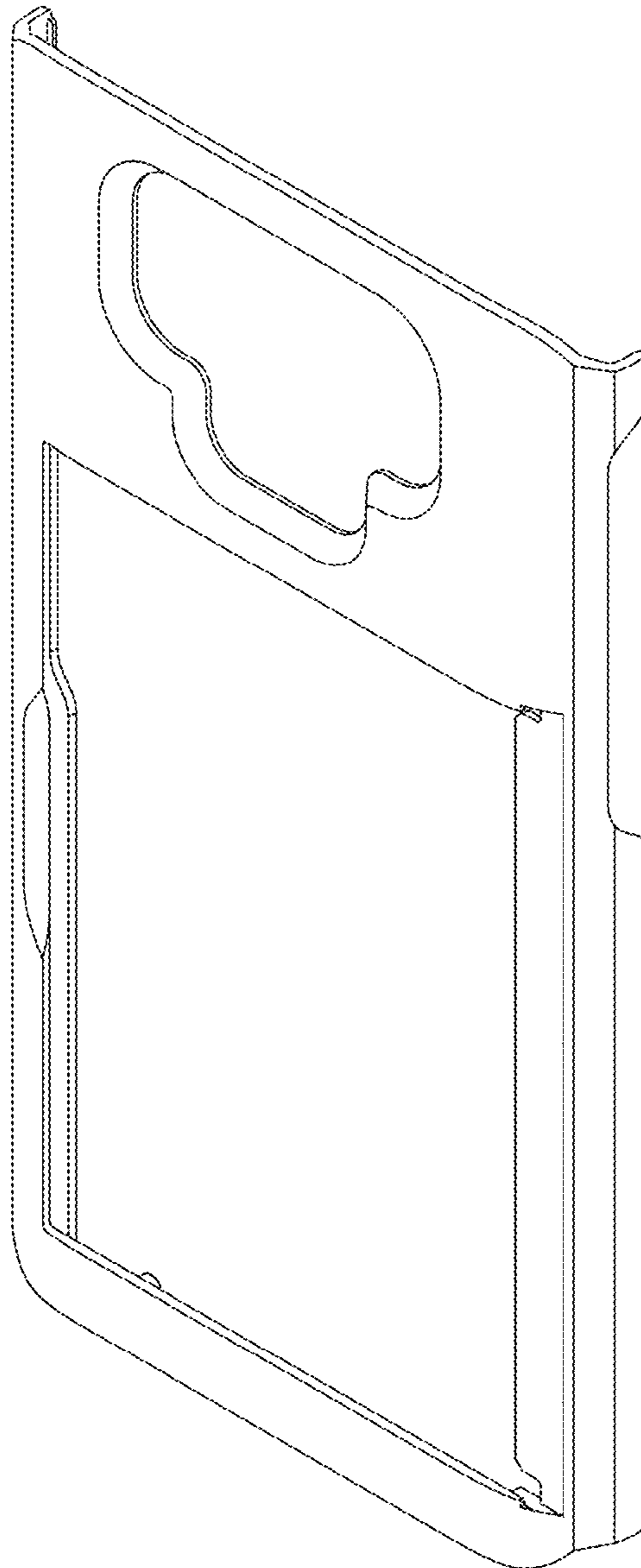


FIG. 13

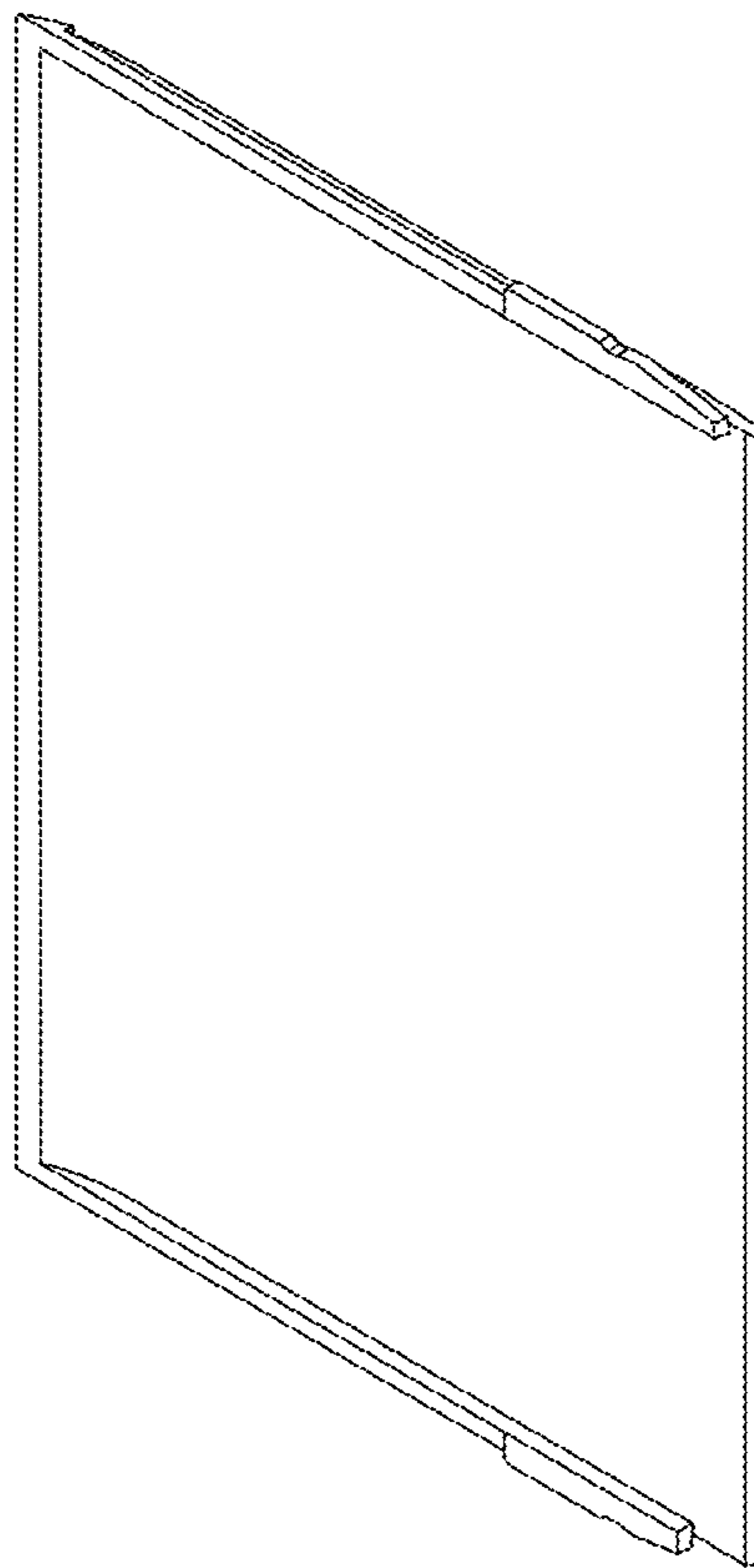


FIG. 14

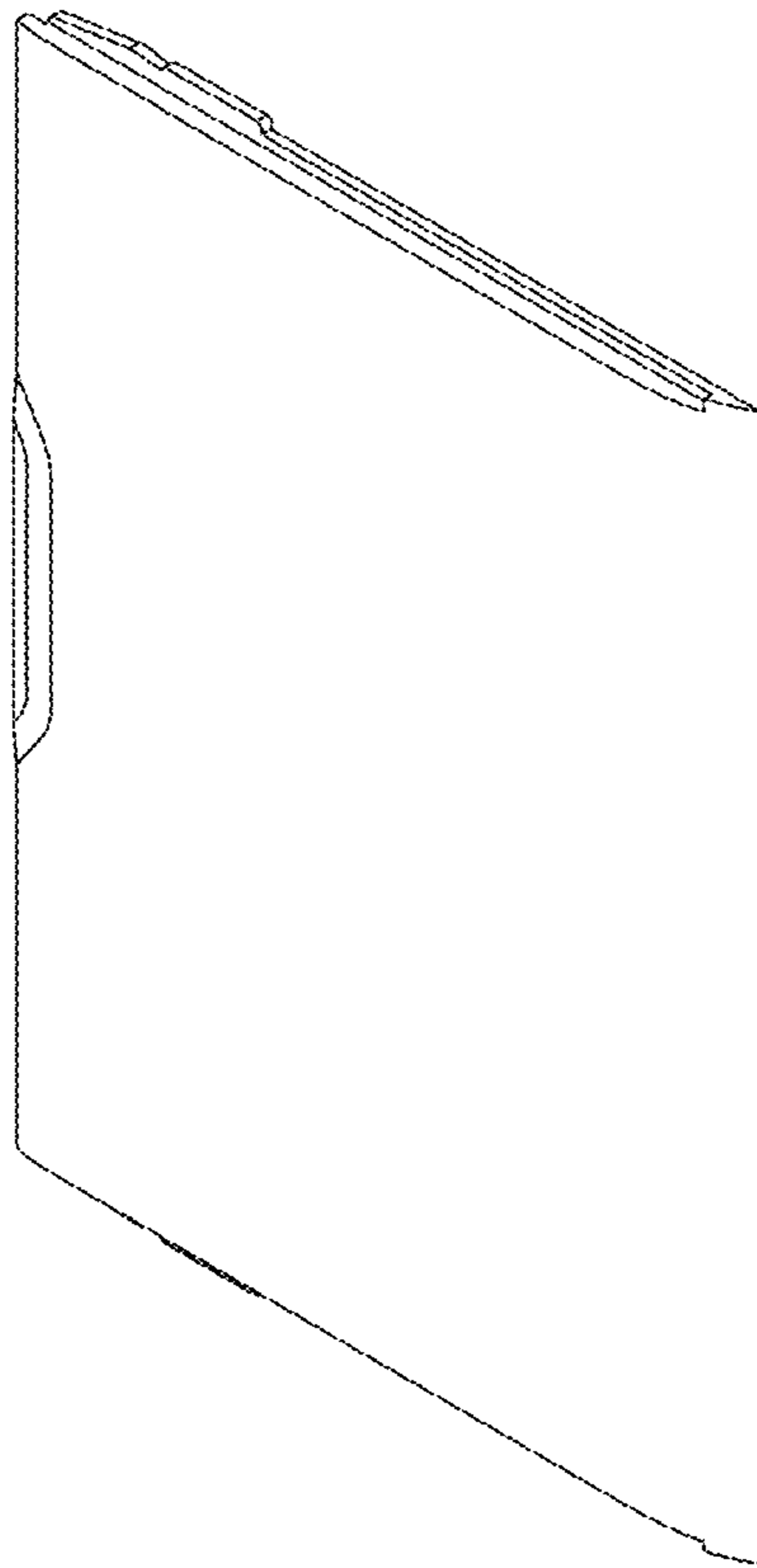


FIG. 15

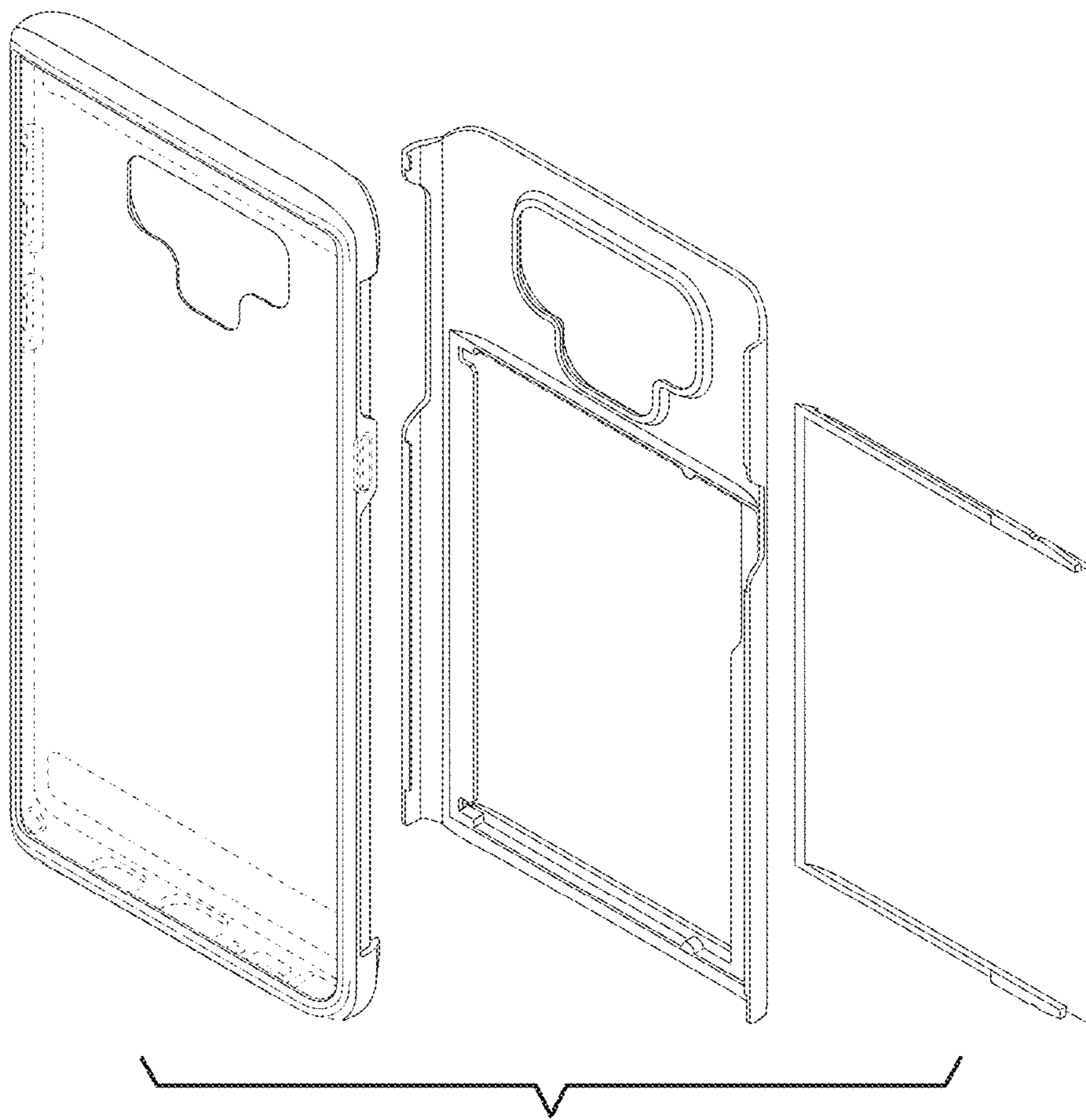


FIG. 16

