



US00D881177S

(12) **United States Design Patent**
Yang

(10) **Patent No.:** **US D881,177 S**

(45) **Date of Patent:** **** Apr. 14, 2020**

(54) **PROTECTIVE CASE FOR MOBILE DEVICE**

(71) Applicant: **i-Blason LLC**, Alpharetta, GA (US)

(72) Inventor: **Xiaoqing Yang**, Alpharetta, GA (US)

(73) Assignee: **i-Blason LLC**, Alpharetta, GA (US)

(**) Term: **15 Years**

(21) Appl. No.: **29/656,117**

(22) Filed: **Jul. 10, 2018**

(51) **LOC (12) Cl.** **14-03**

(52) **U.S. Cl.**
USPC **D14/250**

(58) **Field of Classification Search**
USPC D3/201, 218, 226, 227, 247, 249, 250,
D3/269, 303; D13/103, 107, 108, 119;
D14/137, 138 R, 138 AA, 138 C, 138 G,
D14/172, 192, 203.3–203.7, 217, 238.1,
D14/247, 248, 250–253, 434, 440, 447,
D14/496

CPC H04B 1/3888; H04M 1/0283; H04M
1/0202; A45C 1/06; A45C 2011/002;
A45C 11/00; A45F 2005/028; A45F
2200/0525

See application file for complete search history.

(56) **References Cited**

U.S. PATENT DOCUMENTS

D671,933 S	*	12/2012	Rodgers	D14/250
D709,486 S	*	7/2014	Lin	D14/250
D714,278 S	*	9/2014	Case	D14/250
D726,170 S	*	4/2015	Ng	D14/250
D742,869 S	*	11/2015	Odhwani	D14/250
D745,866 S	*	12/2015	Adelman	D14/250
D755,764 S	*	5/2016	Dong	D14/250
D761,780 S	*	7/2016	Nguyen	D14/250
D763,853 S	*	8/2016	Pearce	D14/440
D768,123 S	*	10/2016	Armstrong	D14/250
D769,855 S	*	10/2016	Deng	D14/250

D771,613 S	*	11/2016	Poon	D14/250
D772,211 S	*	11/2016	Poon	D14/250
D773,447 S	*	12/2016	Taylor	D14/250
D780,166 S	*	2/2017	Lin	D14/250
D787,497 S	*	5/2017	Friedland	D14/250
D791,759 S	*	7/2017	Lin	D14/250
D802,576 S	*	11/2017	Ahn	D14/250
D806,692 S	*	1/2018	Jia	D14/250
D816,654 S	*	5/2018	Chen	D14/250
D819,622 S	*	6/2018	Wright	D14/250

(Continued)

Primary Examiner — Susan E Krakower

Assistant Examiner — L. A. Grabenstetter

(74) *Attorney, Agent, or Firm* — Wang Law Firm, Inc.

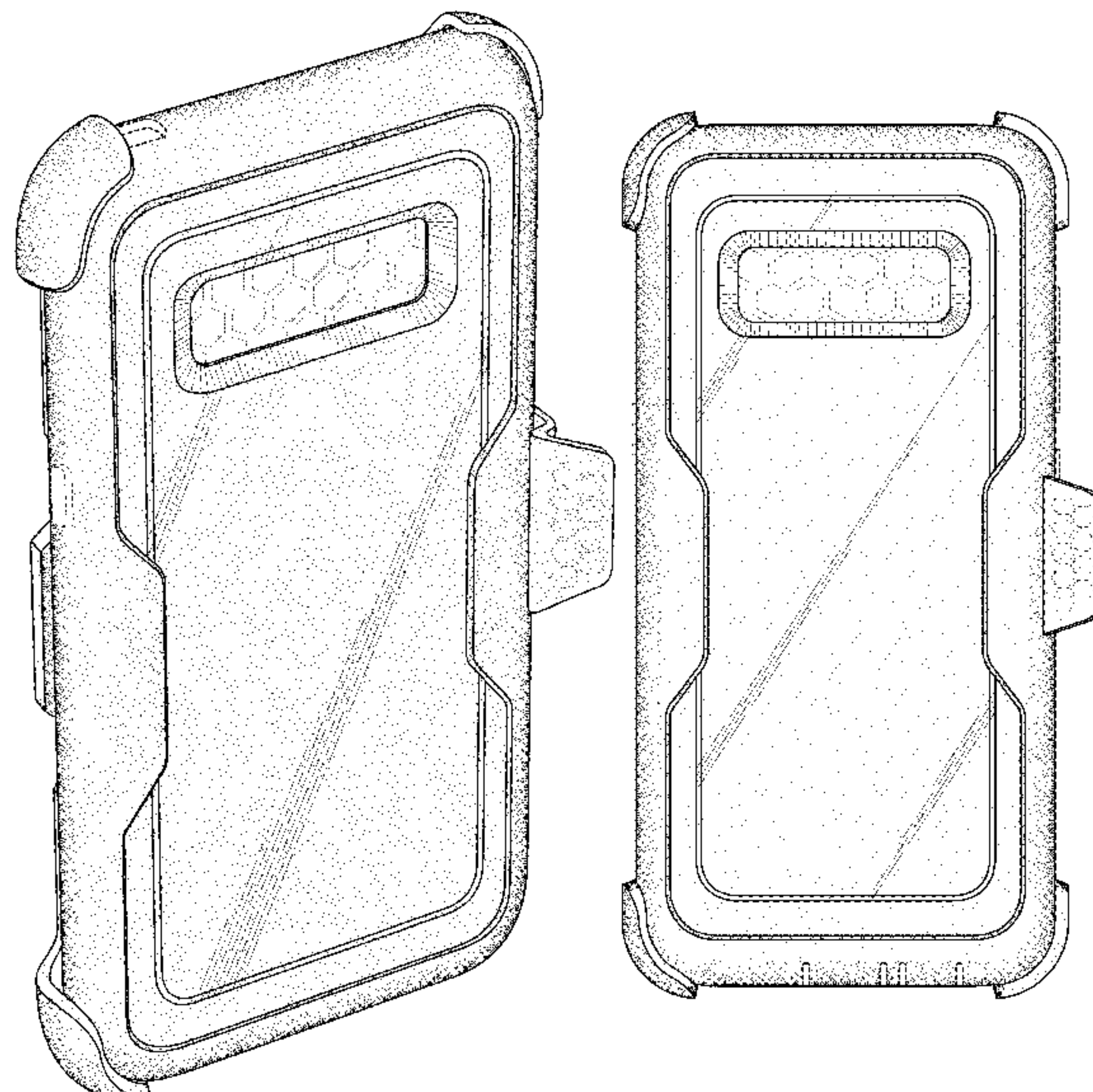
(57) **CLAIM**

The ornamental design for a protective case for mobile device, as shown and described.

DESCRIPTION

FIG. 1 is a perspective view of a protective case for mobile device showing my new design;
 FIG. 2 is a front view thereof;
 FIG. 3 is a back view thereof;
 FIG. 4 is a right view thereof;
 FIG. 5 is a left view thereof;
 FIG. 6 is a top view thereof;
 FIG. 7 is a bottom view thereof;
 FIG. 8 is cross-section view from line 8-8 in FIG. 3;
 FIG. 9 is a cross-section view from line 9-9 in FIG. 3;
 FIG. 10 is a cross-section view from line 10-10 in FIG. 3;
 FIG. 11 is a cross-section view from line 11-11 in FIG. 3;
 and,
 FIG. 12 is a cross-section view from line 12-12 in FIG. 3.
 The broken lines on the surfaces of the article represent portions of the protective case for mobile device that form no part of the claimed design. The arrows found in FIG. 3 are included for the purpose of illustrating the cross-section views only and form no part of the claimed design.

1 Claim, 7 Drawing Sheets



(56)

References Cited

U.S. PATENT DOCUMENTS

D820,246 S * 6/2018 Li D14/250
2011/0031287 A1* 2/2011 Le Gette F16M 11/04
224/101

* cited by examiner

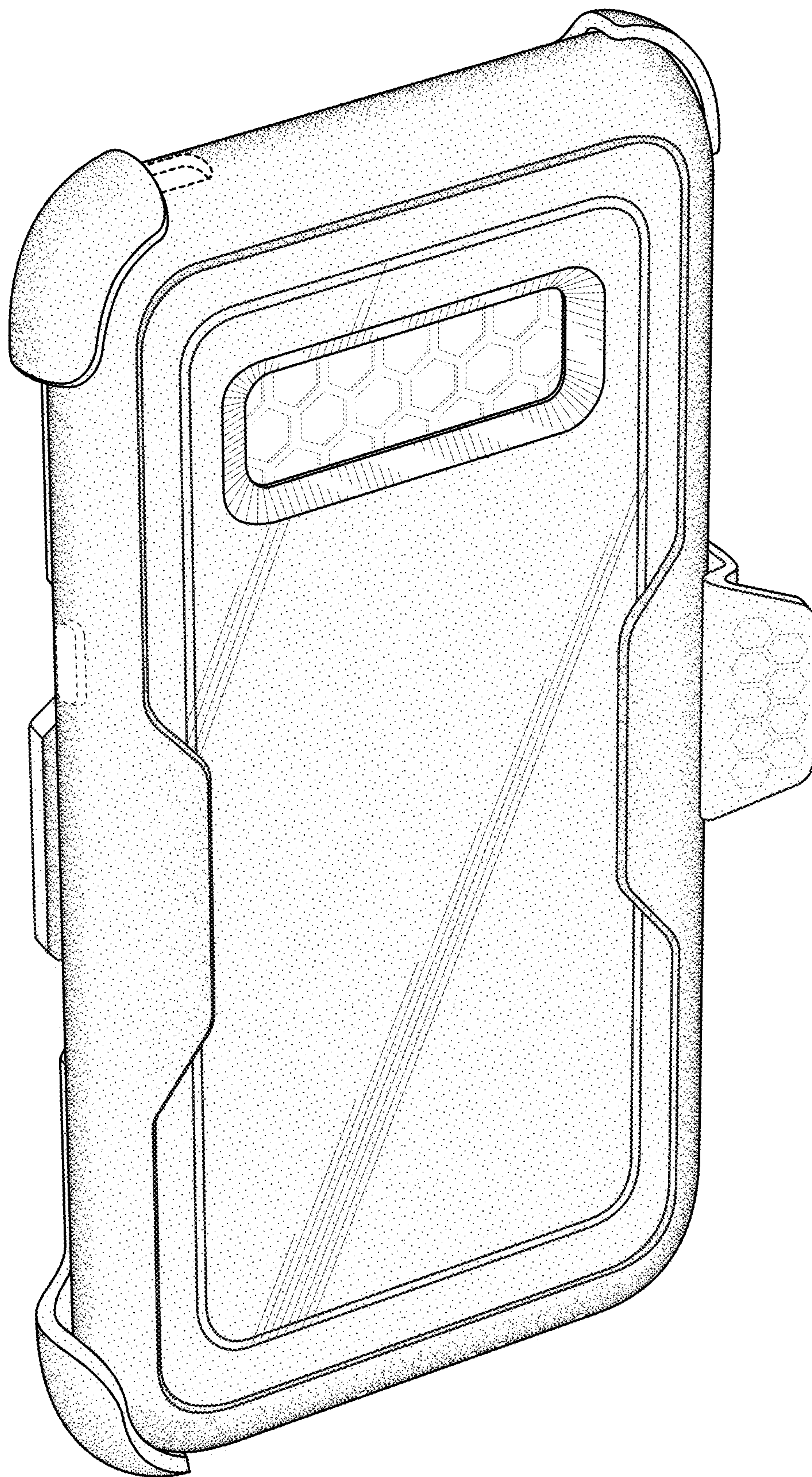


FIG. 1

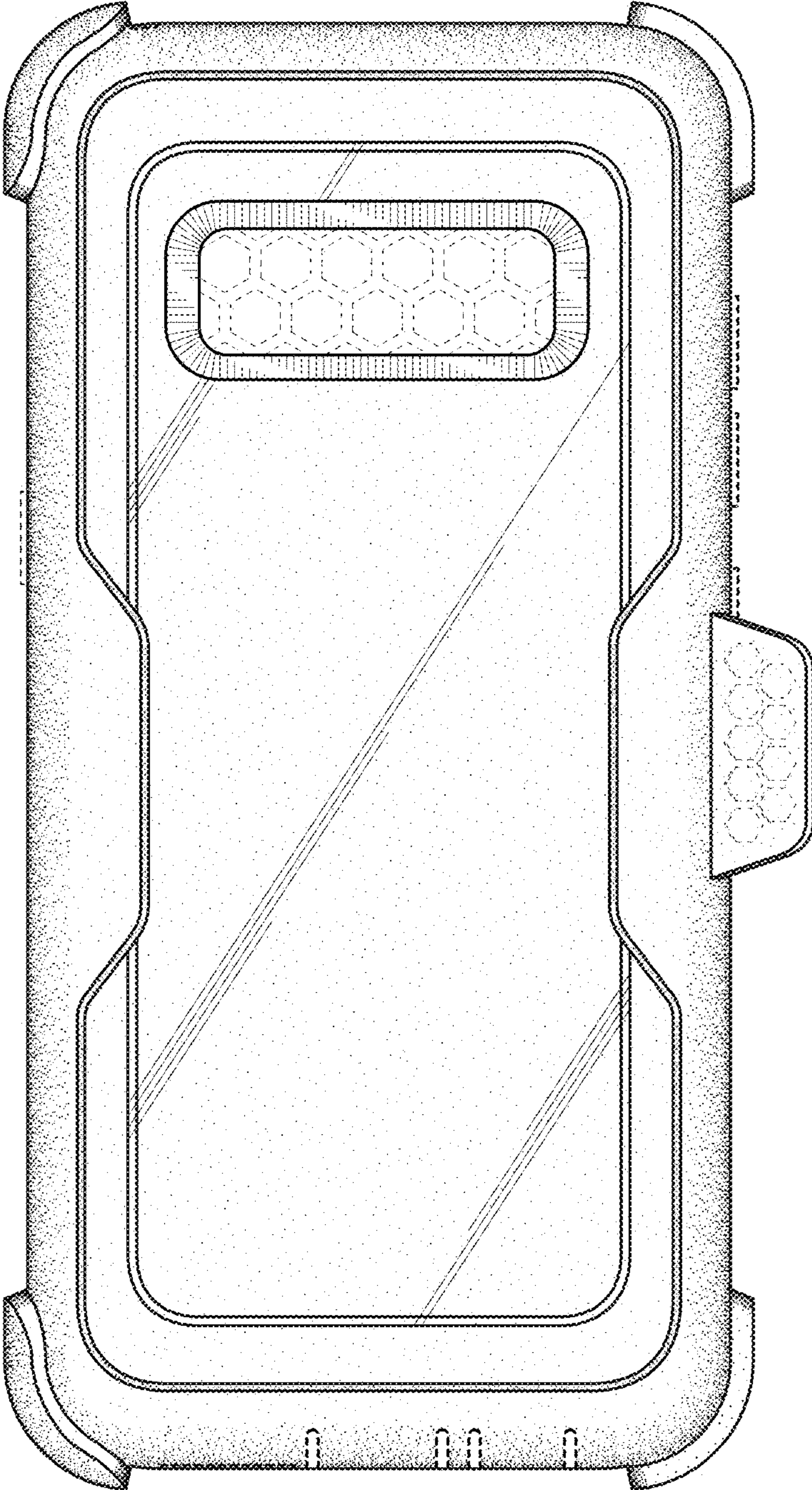


FIG. 2

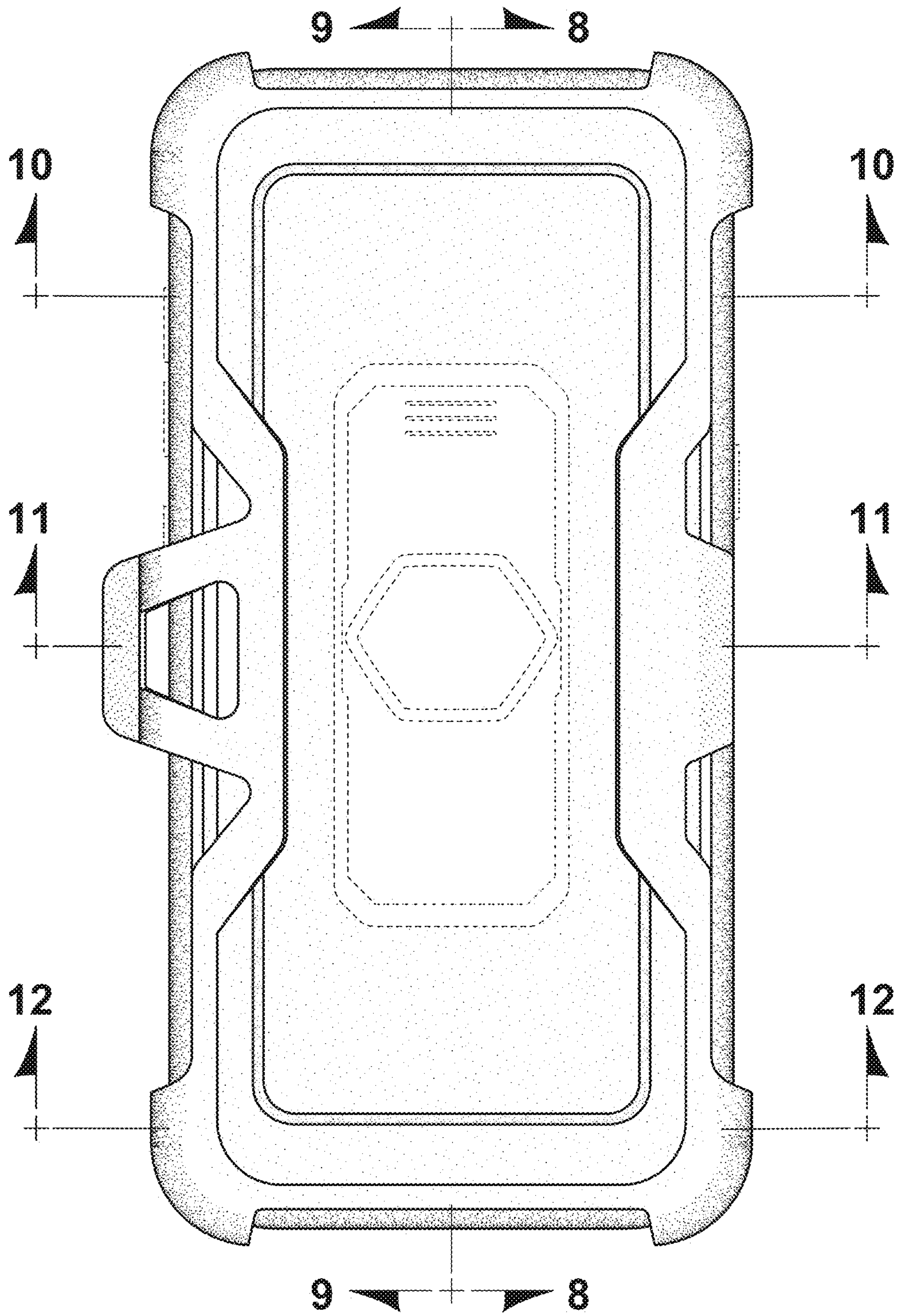


FIG. 3

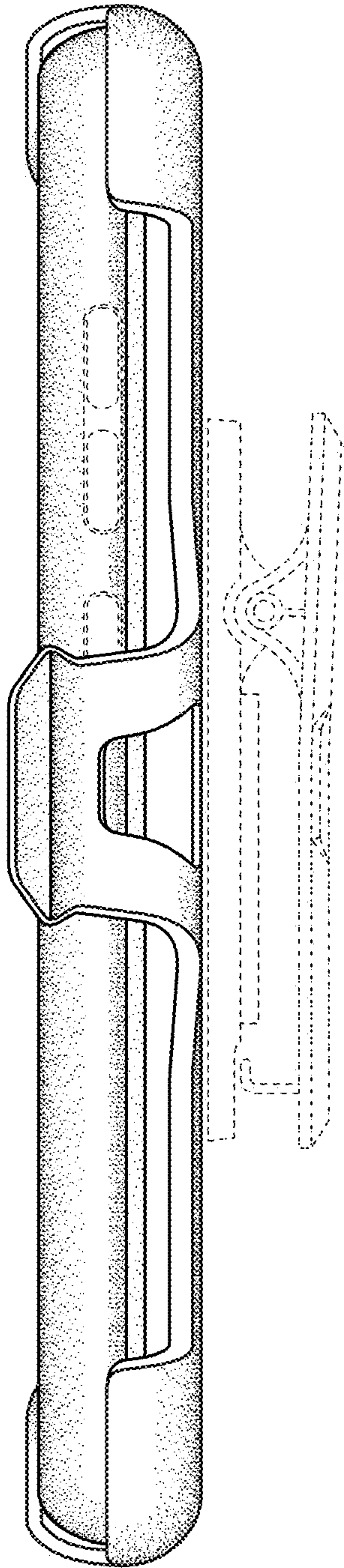


FIG. 4

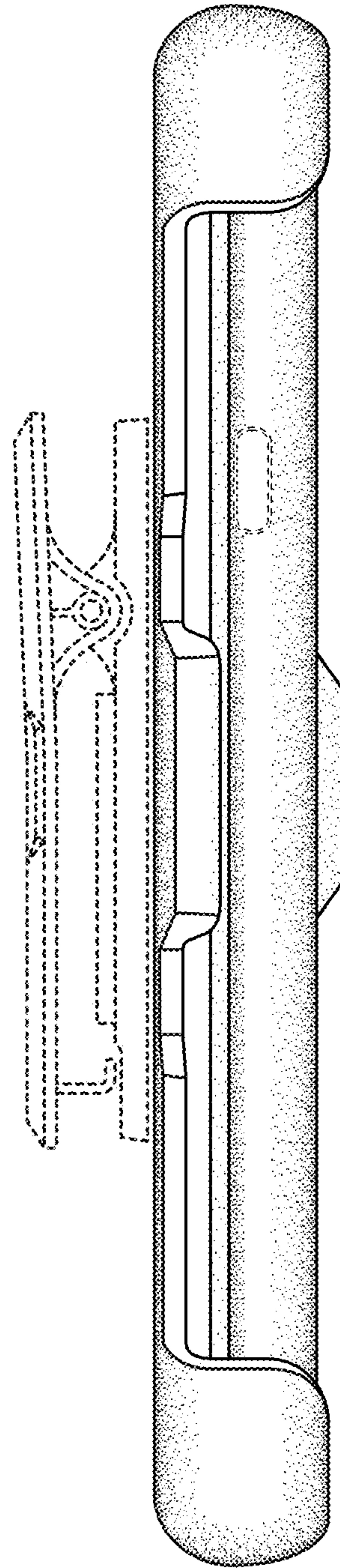


FIG. 5

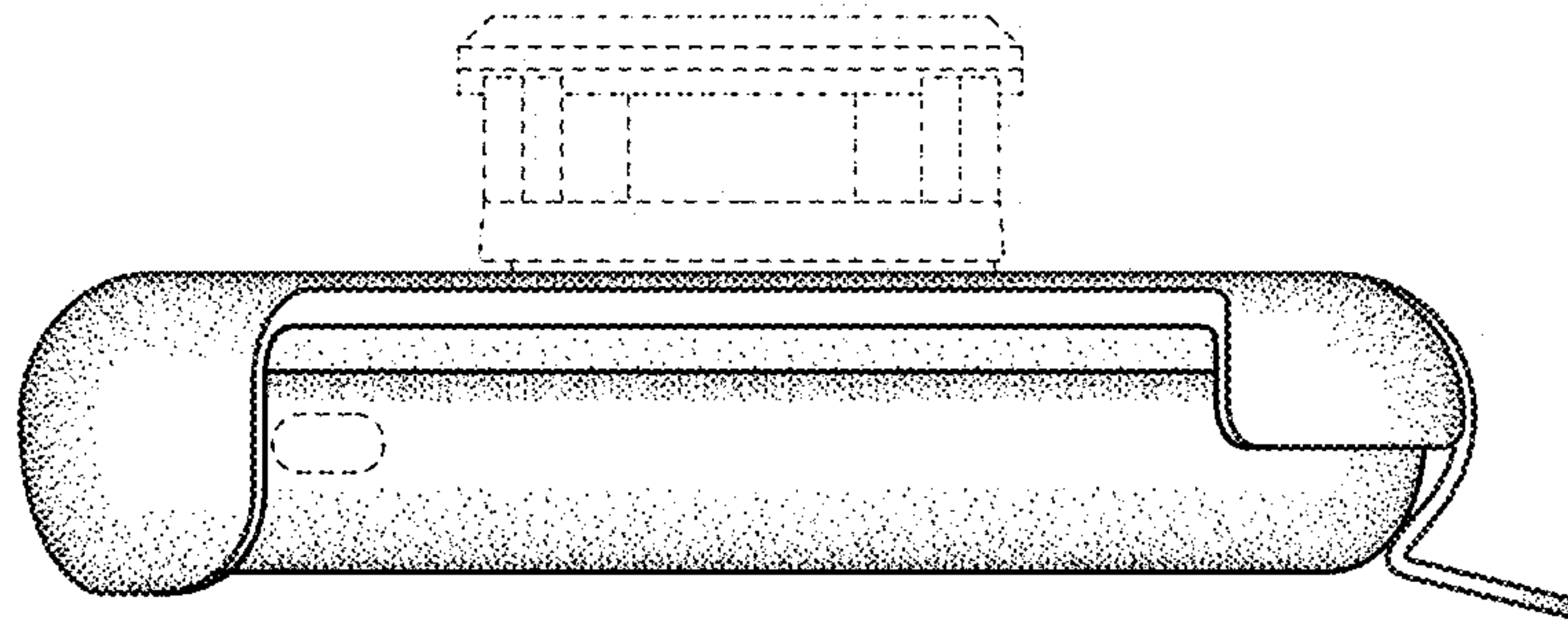


FIG. 6

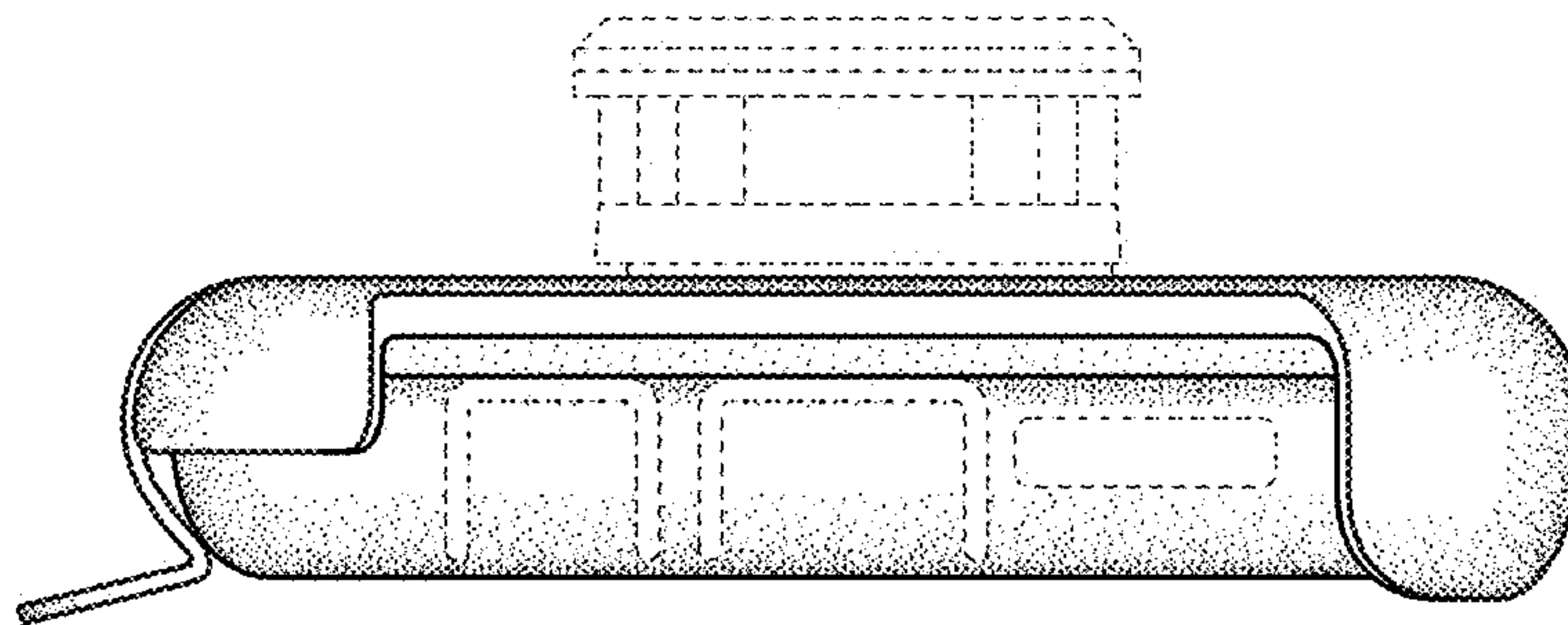


FIG. 7

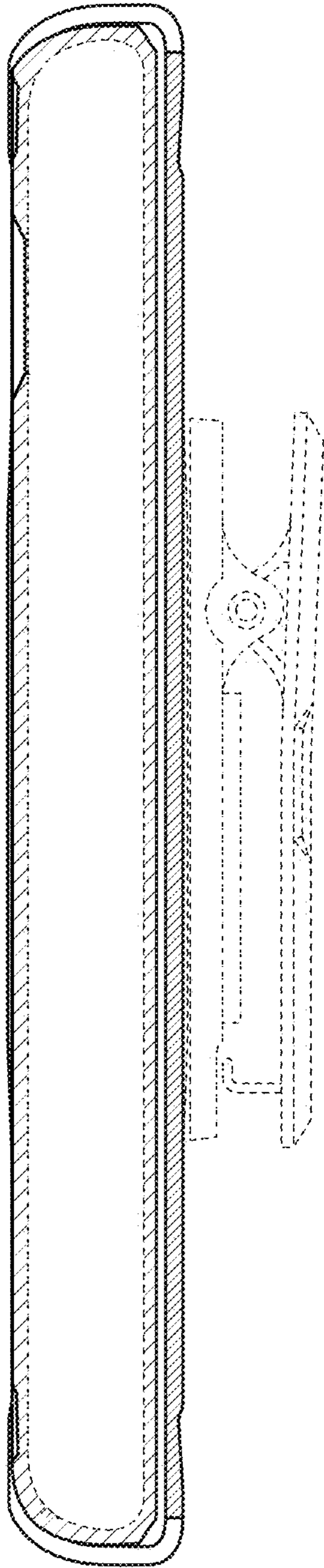


FIG. 8

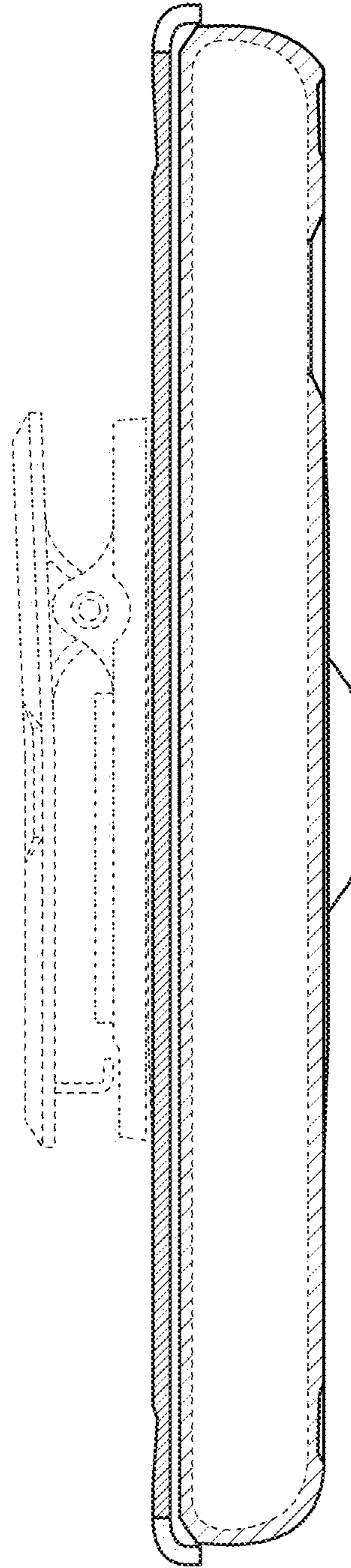


FIG. 9

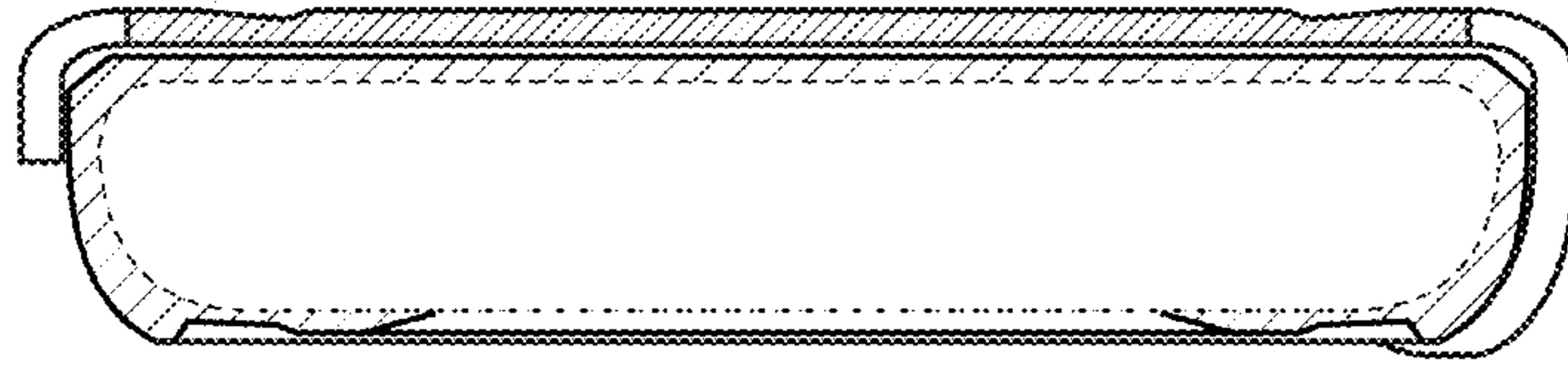


FIG. 10

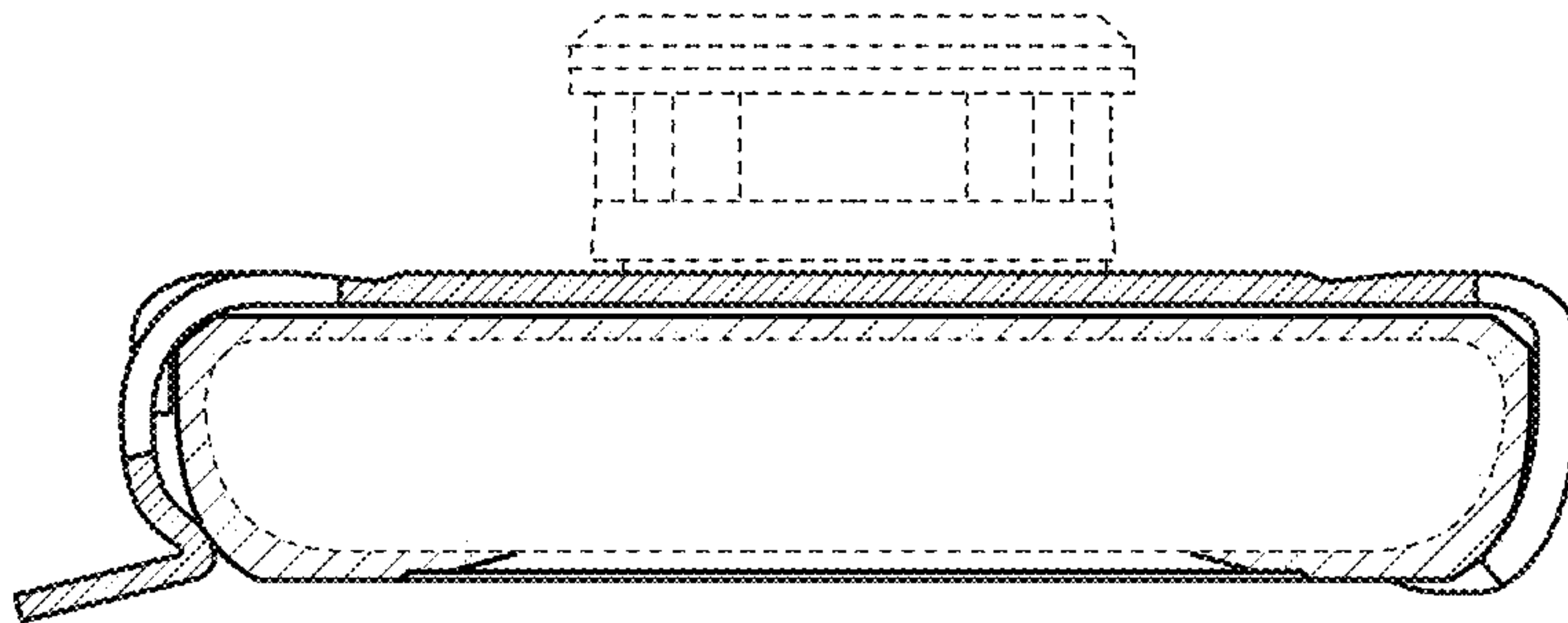


FIG. 11

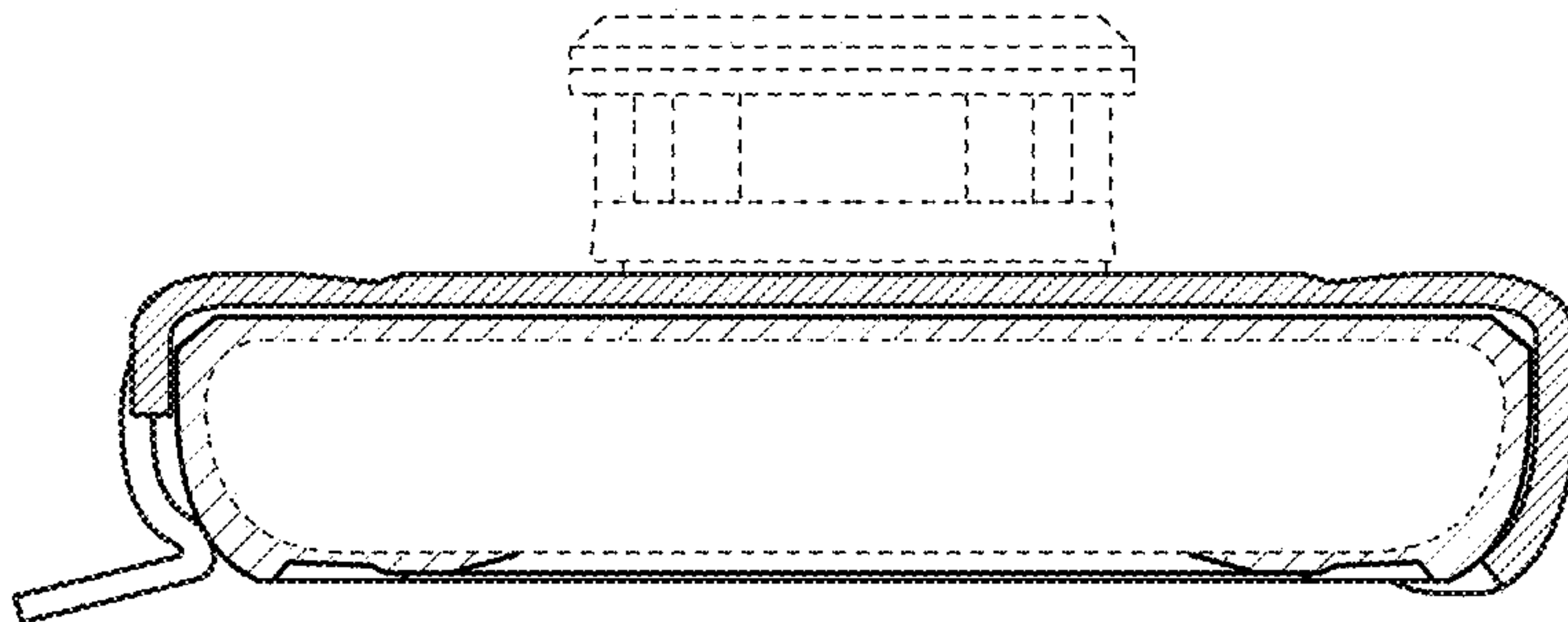


FIG. 12