



US00D881174S

(12) **United States Design Patent**  
**Nakamura**

(10) **Patent No.:** **US D881,174 S**  
(45) **Date of Patent:** **\*\* Apr. 14, 2020**

(54) **STAND FOR TELEVISION**  
(71) Applicant: **NAKAMURA CO. LTD.**, Tokyo (JP)  
(72) Inventor: **Akira Nakamura**, Tokyo (JP)  
(\*\*) Term: **15 Years**

D628,200 S \* 11/2010 Ko ..... D14/336  
D652,826 S \* 1/2012 Lu ..... D14/239  
D681,614 S \* 5/2013 Masui ..... D14/239  
D741,284 S \* 10/2015 Tooker ..... D14/173  
D741,827 S \* 10/2015 Shin ..... D14/126  
D772,838 S \* 11/2016 Tooker ..... D14/173

(Continued)

(21) Appl. No.: **35/506,156**  
(22) Filed: **May 24, 2018**

**FOREIGN PATENT DOCUMENTS**

JP 2017-336834 \* 5/2017 ..... A47L 9/00  
WO WOD044301-004 \* 6/2013  
WO WOD100711-001 \* 12/2017

(80) **Hague Agreement Data**

Int. Filing Date: **May 24, 2018**  
Int. Reg. No.: **DM/101626**  
Int. Reg. Date: **May 24, 2018**  
Int. Reg. Pub. Date: **Nov. 30, 2018**

**OTHER PUBLICATIONS**

Gusdorf Tulip Base TV Stand | posted at 1stdibs.com n.d. circa 1960s [online]. © 2019 1stdibs, Inc. [retrieved Jul. 23, 2019] from Internet: <[https://www.1stdibs.com/furniture/tables/tables/mid-century-modern-gusdorf-tulip-base-tv-stand/id-f\\_14454681/](https://www.1stdibs.com/furniture/tables/tables/mid-century-modern-gusdorf-tulip-base-tv-stand/id-f_14454681/)> (Year: 1960).\*

(30) **Foreign Application Priority Data**

Dec. 26, 2017 (JP) ..... 2017-28956

(Continued)

(51) **LOC (12) Cl.** ..... **14-03**

*Primary Examiner* — George D. Kirschbaum

(52) **U.S. Cl.**  
USPC ..... **D14/239**

*Assistant Examiner* — Katherine Glennon

(58) **Field of Classification Search**  
USPC ..... D14/126, 239, 251, 375-377, 447, 451;  
D20/41; D21/325, 333  
CPC ... A47B 2200/04; A47B 81/06; A47B 81/061;  
A47B 81/064; A47B 81/065  
See application file for complete search history.

(57) **CLAIM**

The ornamental design for a stand for television, as shown and described.

(56) **References Cited**

**DESCRIPTION**

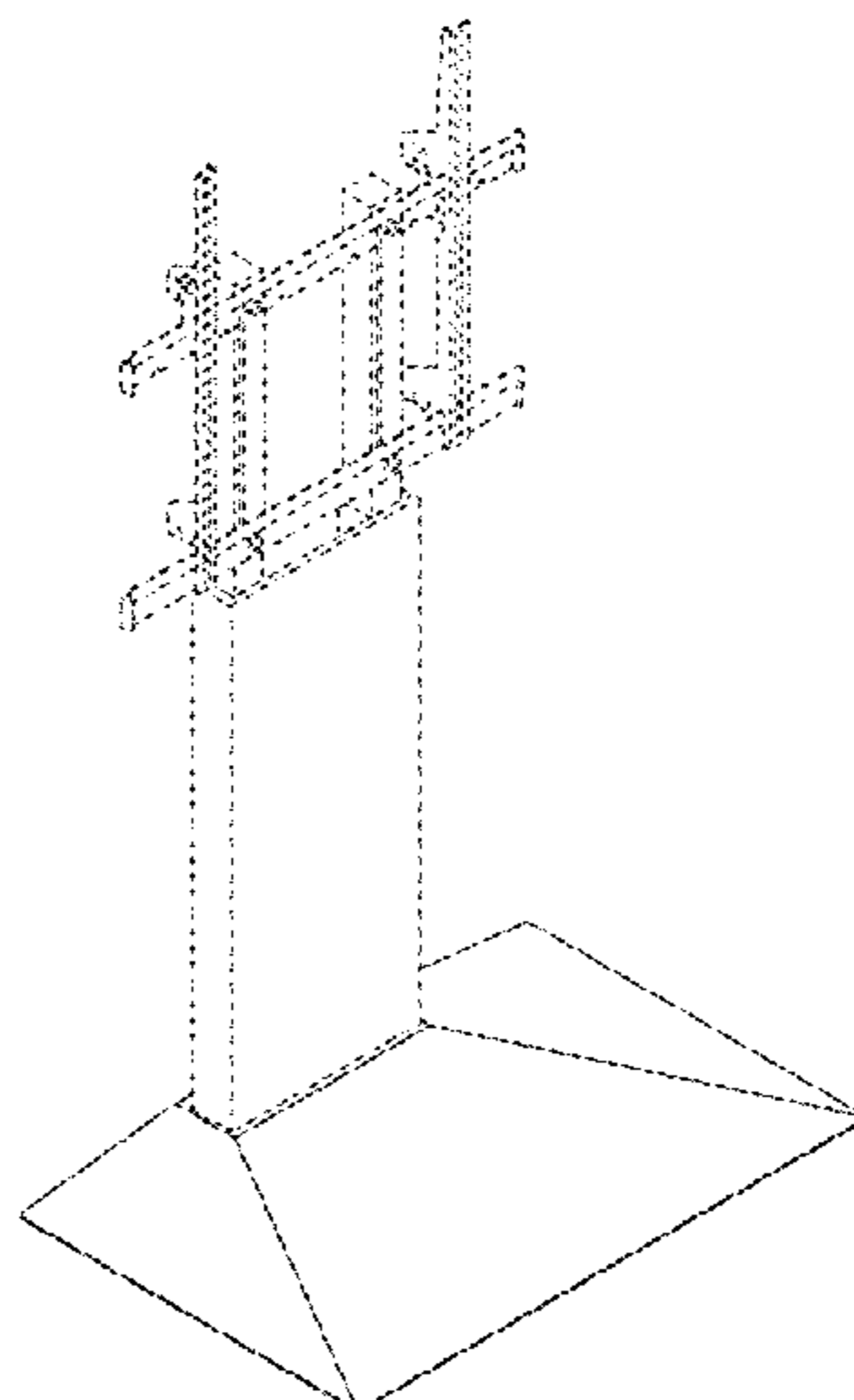
**U.S. PATENT DOCUMENTS**

D319,747 S \* 9/1991 Bales ..... D14/451  
5,749,304 A \* 5/1998 Turner ..... A47B 11/00  
108/20  
D413,595 S \* 9/1999 Arie ..... D14/126  
D417,443 S \* 12/1999 Geiszler ..... D14/432  
D459,729 S \* 7/2002 Goto ..... D14/447  
D463,440 S \* 9/2002 Oba ..... D14/447  
D525,221 S \* 7/2006 Williams ..... D14/126  
D571,744 S \* 6/2008 Wang ..... D14/126  
D575,774 S \* 8/2008 Harris ..... D14/125

- 1. Stand for television
- 1.1 : Perspective
- 1.2 : Perspective
- 1.3 : Front
- 1.4 : Left
- 1.5 : Top
- 1.6 : Back
- 1.7 : Bottom
- 1.8 : Right

The parts shown by means of broken lines in the reproductions are not part of the claimed design.

**1 Claim, 8 Drawing Sheets**



(56)

**References Cited**

U.S. PATENT DOCUMENTS

D787,522 S \* 5/2017 Lee ..... D14/451  
2011/0114804 A1\* 5/2011 Liu ..... F16M 11/08  
248/121

OTHER PUBLICATIONS

Wall TV Stand | posted at g-mark.org n.d. [online]; product avail  
Nov. 2015. [retrieved Jul. 23, 2019] from Internet: <<https://www.g-mark.org/award/describe/45248?token=b3HsKnFQsP>> (Year: 2015).\*

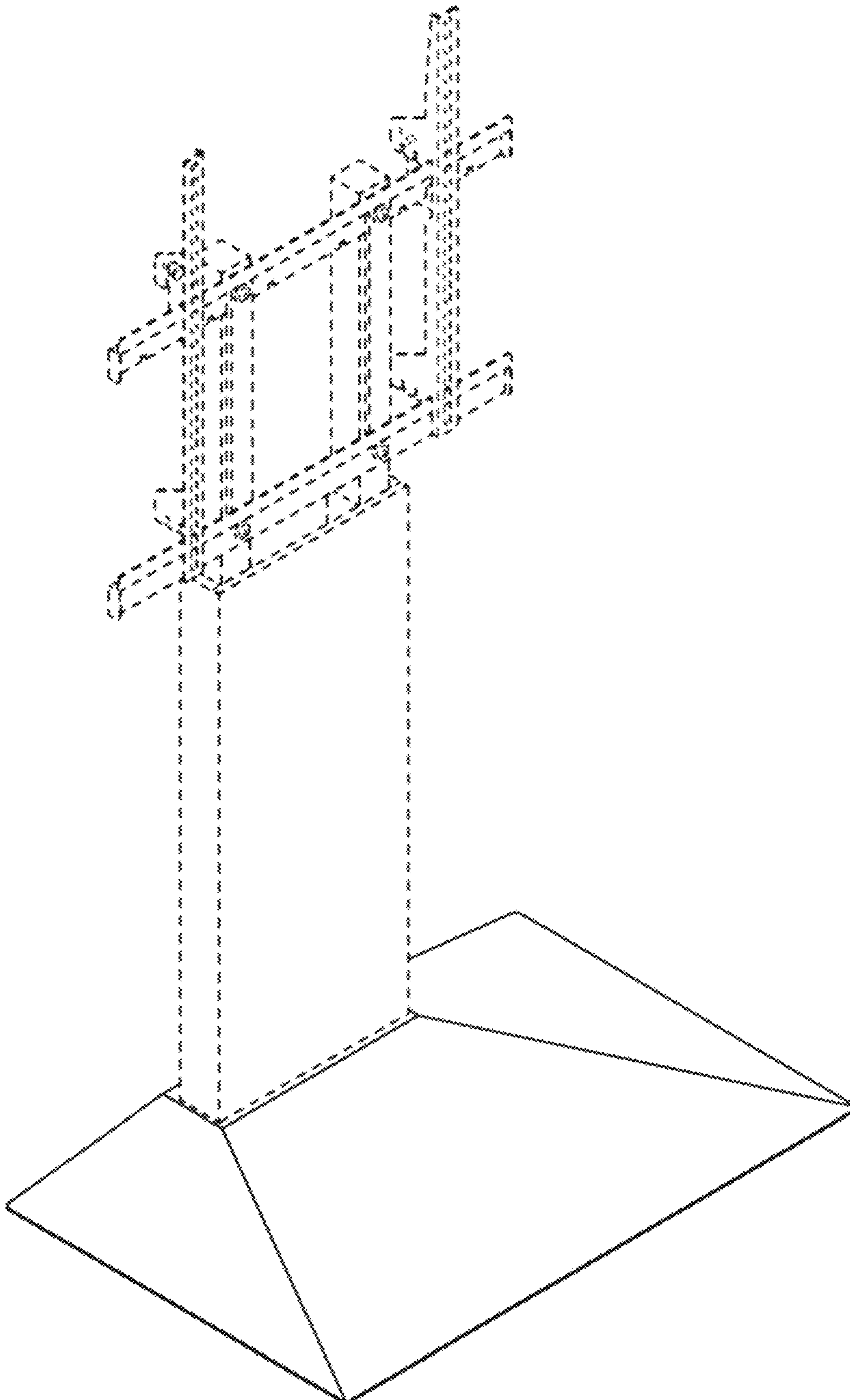
Nakamura Akamura Equals TV Stand | posted at yodobashi.com  
Sep. 2018 [online]. © 1998-2019 Yodobashi Camera Co., Ltd  
[retrieved Jul. 23, 2019] from Internet: <<https://www.yodobashi.com/product/100000001004052357/>> (Year: 2018).\*

Equals Wall TV Stand V3 | posted at youtube.com Nov. 2018  
[online].[retrieved Jul. 23, 2019] from Internet: <<https://www.youtube.com/watch?v=VtqRwyqGXe8>> (Year: 2018).\*

Equals Wall TV Stand V3 White | posted at letao.com.tw n.d.  
[online]. © 2011 Letao Co Ltd [retrieved Jul. 23, 2019] from  
Internet: <<https://www.letao.com.tw/yahoojp/auctions/item.php?aID=j568114947>> (Year: 2019).\*

\* cited by examiner

1.1



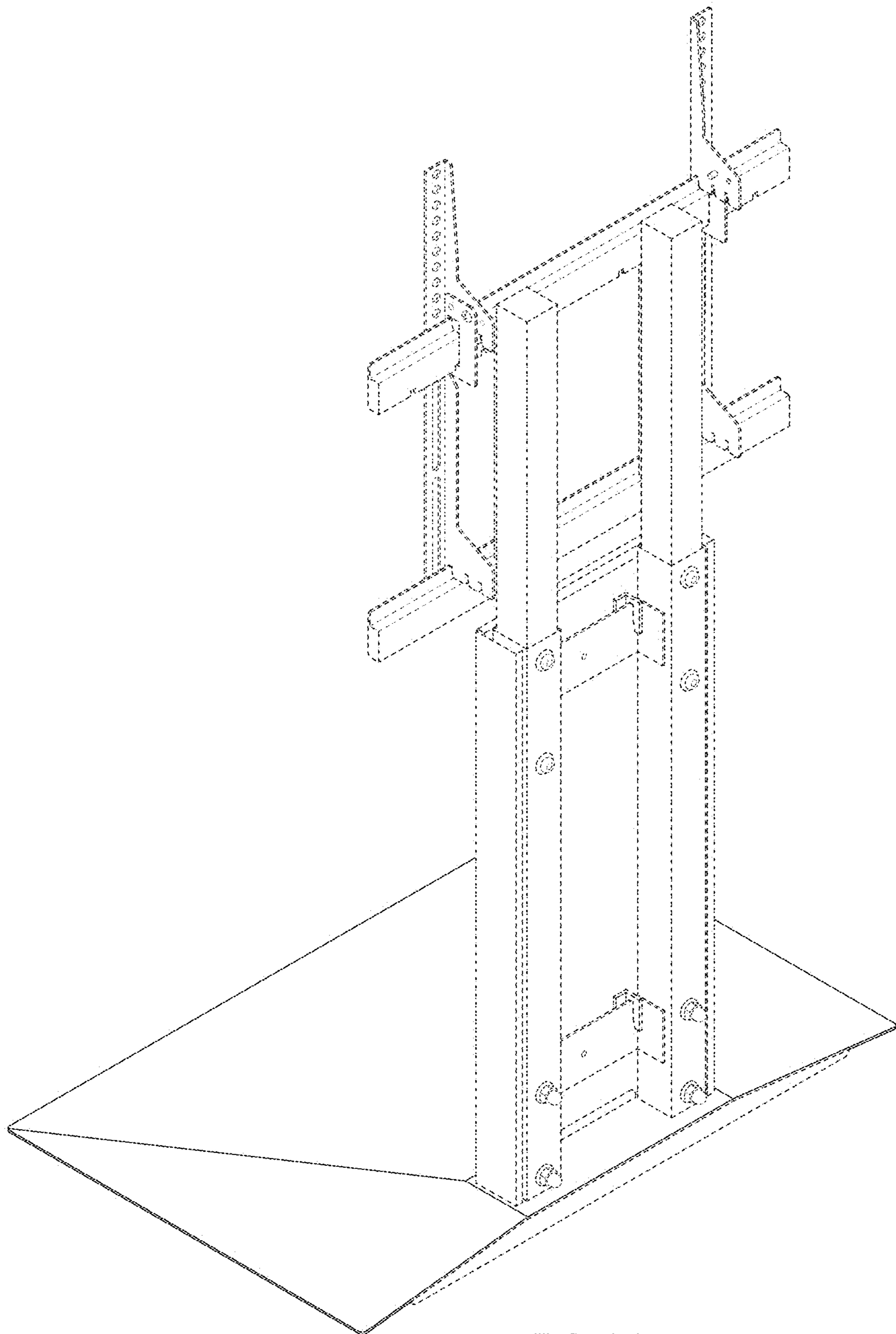
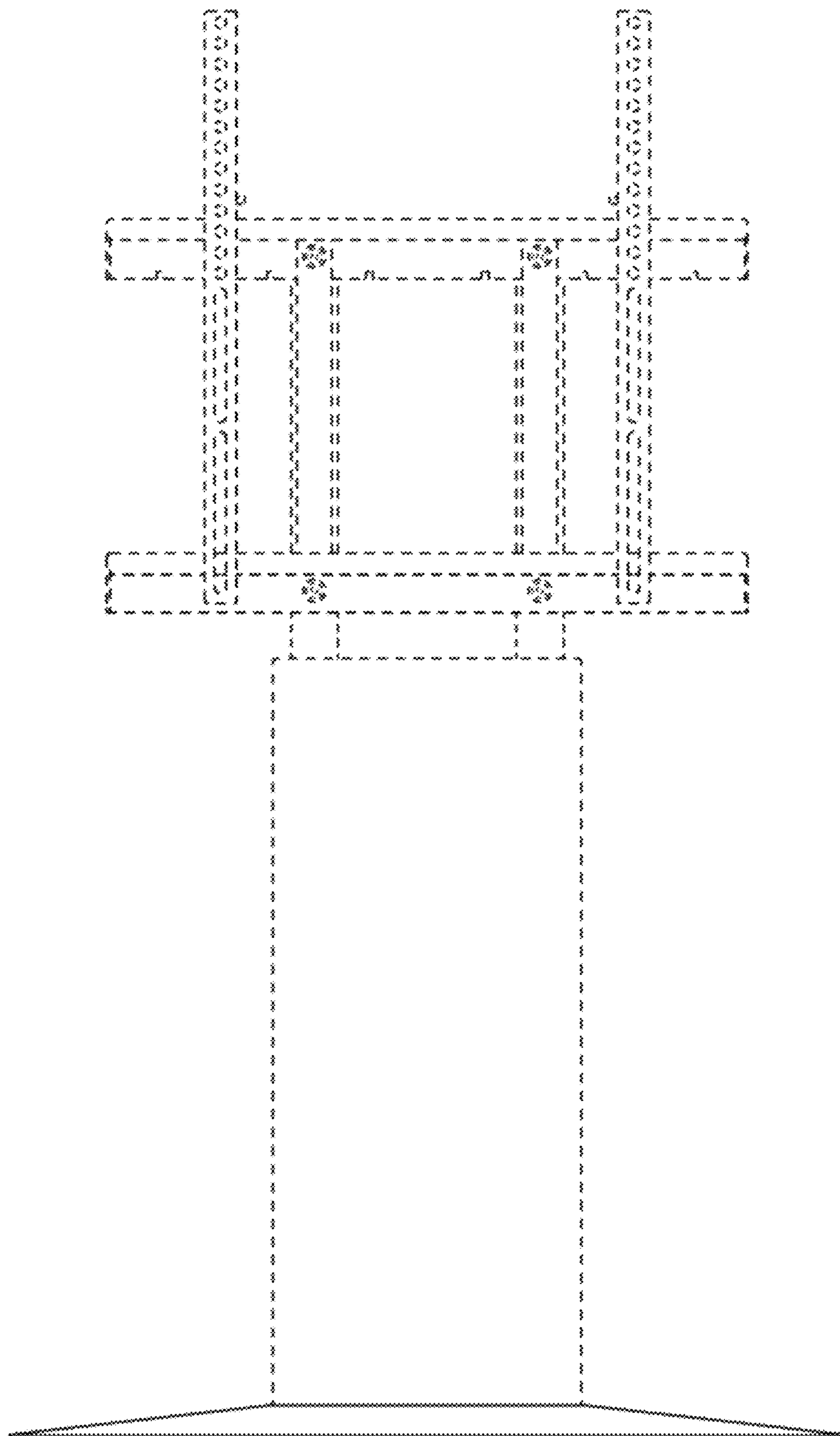
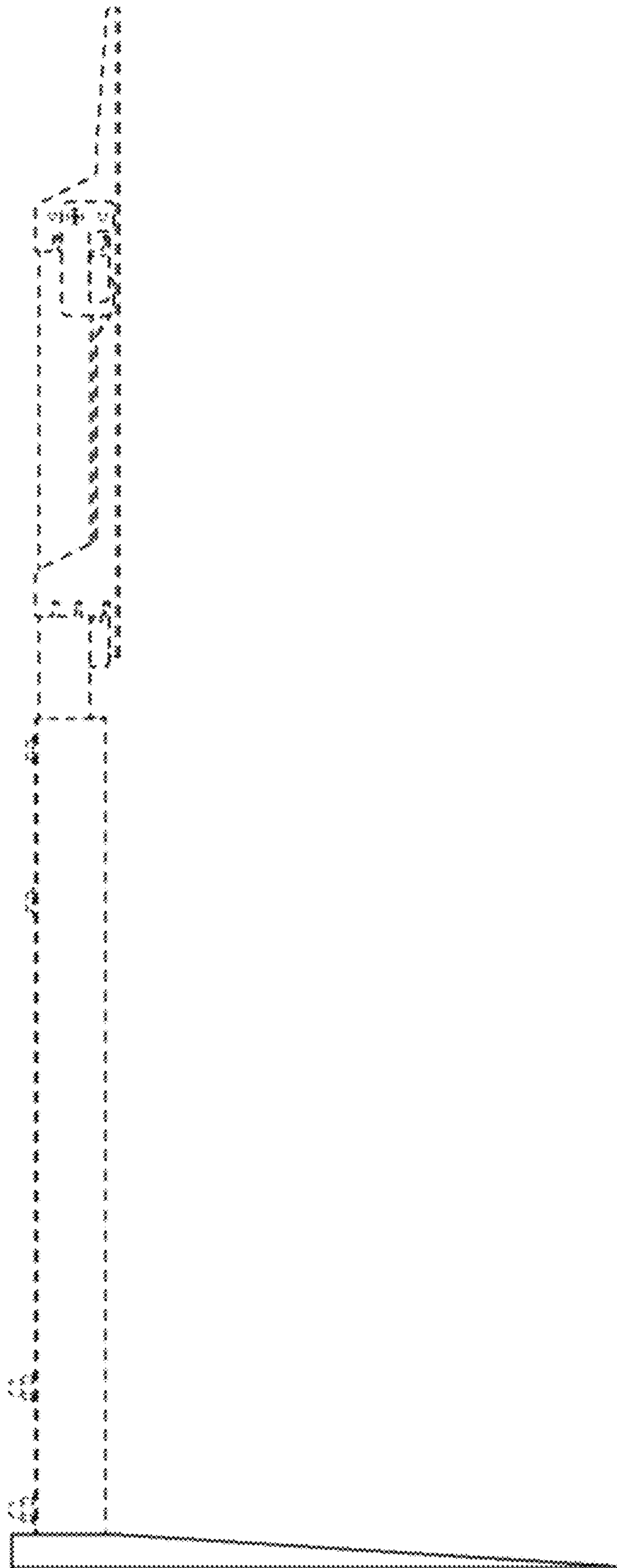


FIG. 1.2

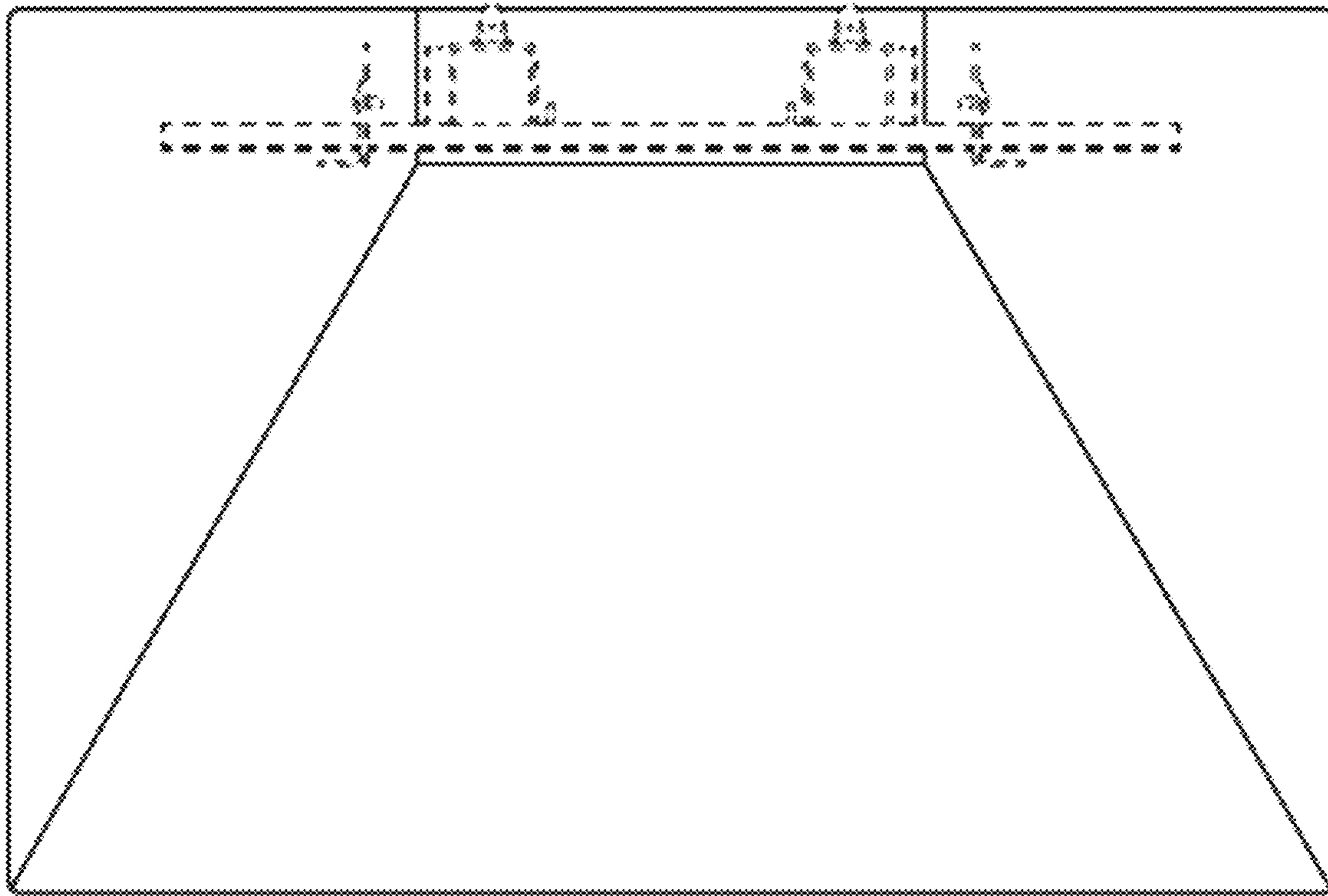
# 1.3



1.4



1.5



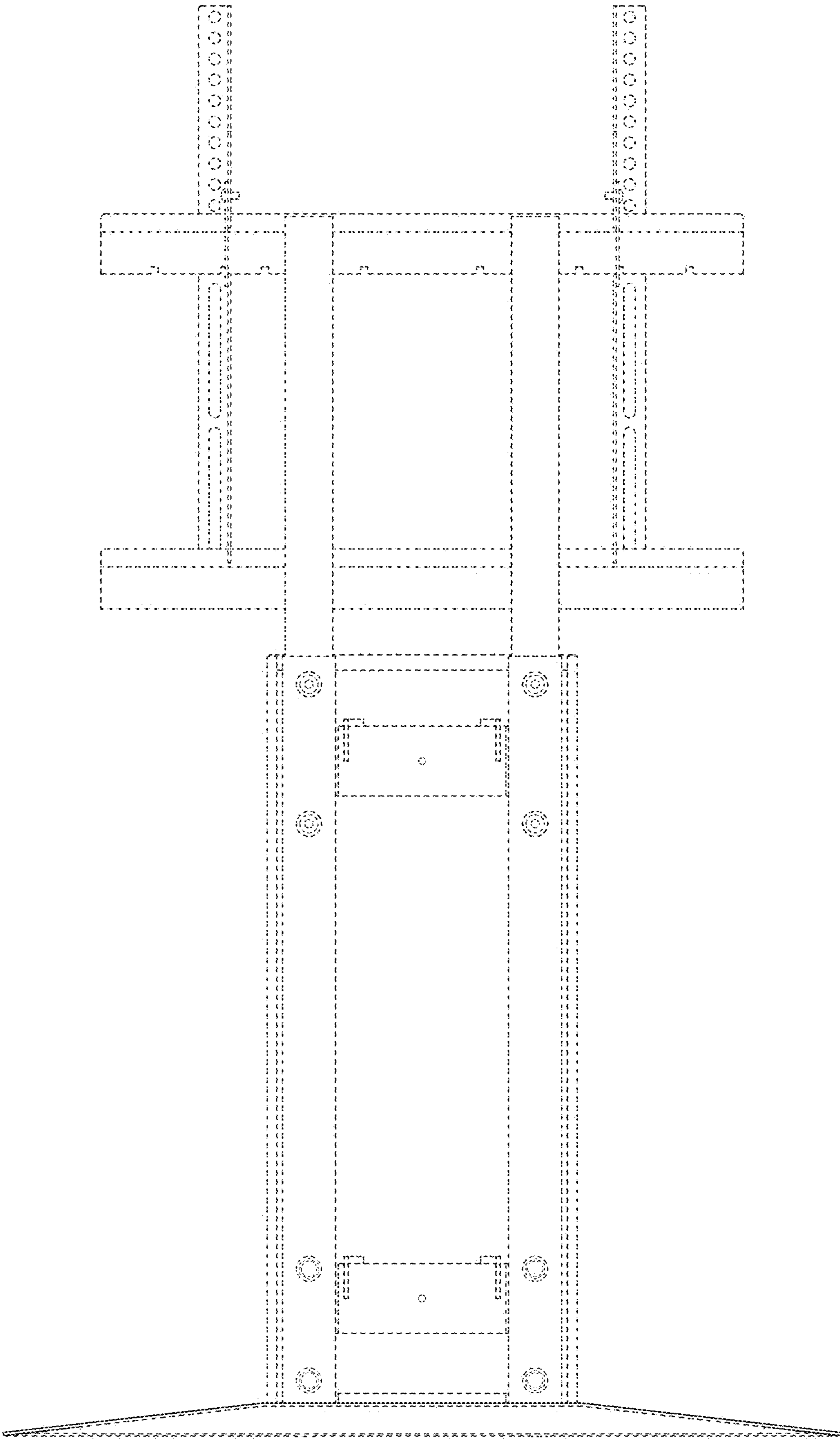
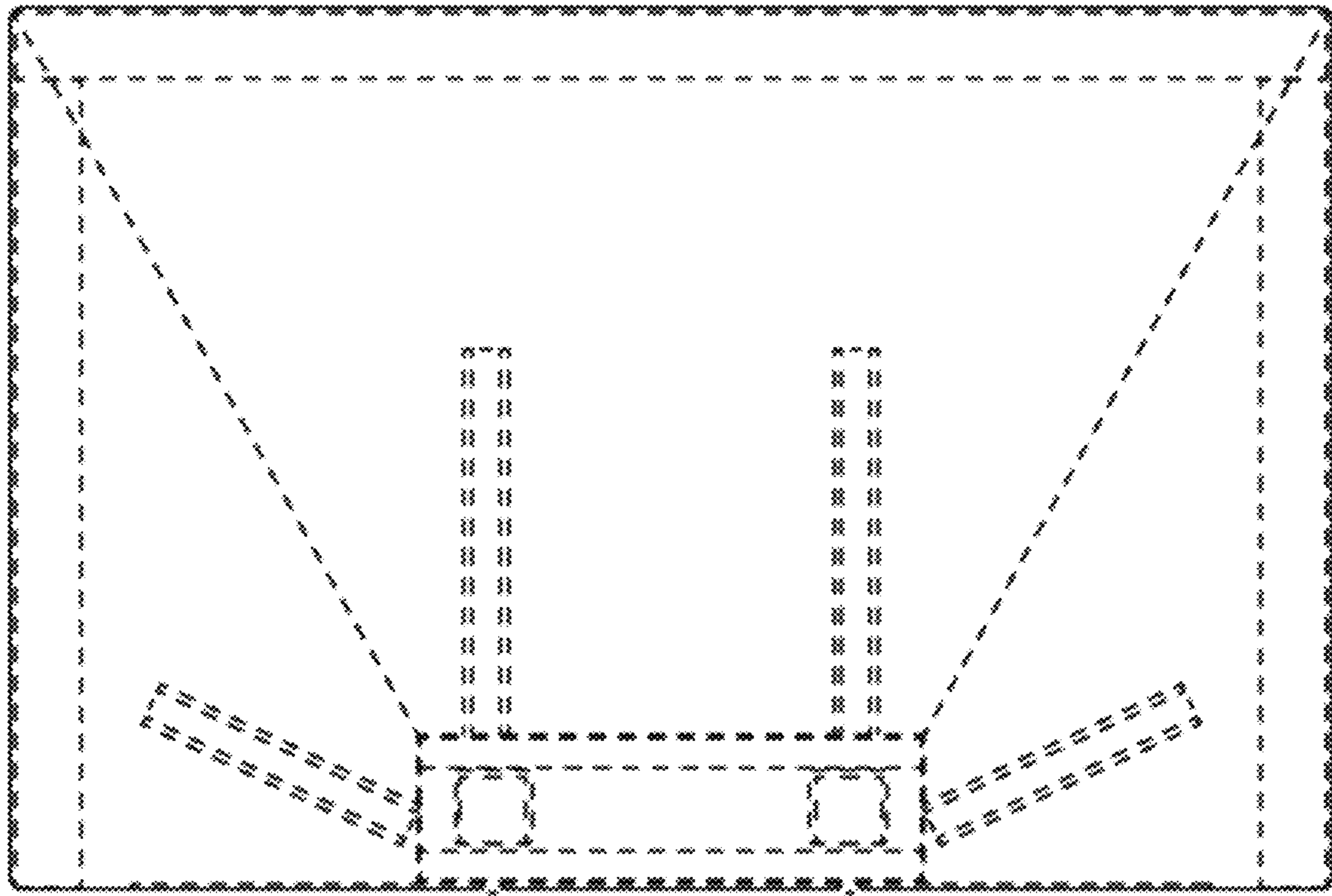


FIG. 1.6



1.7



1.8

