



US00D881173S

(12) **United States Design Patent** (10) **Patent No.:** **US D881,173 S**
Lee (45) **Date of Patent:** **** Apr. 14, 2020**

(54) **MULTIPLE PANEL REFLECTOR DISH ANTENNA**

(71) Applicant: **Ubiquiti Inc.**, New York, NY (US)

(72) Inventor: **Jude Lee**, San Jose, CA (US)

(73) Assignee: **Ubiquiti Inc.**, New York, NY (US)

(**) Term: **15 Years**

(21) Appl. No.: **29/616,138**

(22) Filed: **Sep. 1, 2017**

Related U.S. Application Data

(62) Division of application No. 29/525,757, filed on May 1, 2015, now Pat. No. Des. 800,100.

(51) **LOC (12) Cl.** **14-03**

(52) **U.S. Cl.**
USPC **D14/231**

(58) **Field of Classification Search**
USPC ... D14/230.1, 203.3, 203.6, 230-238, 238.1, D14/204, 216, 221, 240, 242, 299, 314, D14/343, 496, 509; D13/102; D21/443, D21/489

CPC H01Q 1/12; H01Q 1/22; H01Q 1/007; H01Q 1/38; H01Q 7/00; H01Q 9/40; H01Q 9/285; H01Q 9/065; H01Q 9/44; H01Q 9/265; H01Q 19/10; H01Q 19/106; H01Q 19/12; H01Q 19/13; H01Q 19/15; H01Q 19/30; H01Q 21/28; H01Q 21/06; H01Q 21/062; H01Q 21/293; H01Q 1/247; H01Q 15/162; G05D 1/02; G05D 1/0234

See application file for complete search history.

(56) **References Cited**

U.S. PATENT DOCUMENTS

4,295,143 A * 10/1981 Winegard H01Q 15/162 343/840
D275,197 S * 8/1984 Feagle D14/231

D347,010 S 5/1994 Emmerling
D356,795 S * 3/1995 Schultheiss D14/231
D363,288 S * 10/1995 Brehmer D14/230
5,666,126 A * 9/1997 Lange H01Q 1/247 343/781 R
D413,313 S * 8/1999 Henderson D14/137
D418,841 S * 1/2000 Saslow D14/231
D421,440 S * 3/2000 Galimand 343/882

(Continued)

OTHER PUBLICATIONS

Lite Beam M5, online, no postdate, <URL: <https://www.indiamart.com/proddetail/lite-beam-m5-19278322955.html> >, retrieved Jan. 28, 2019.*

(Continued)

Primary Examiner — Jeffrey D Asch

Assistant Examiner — Rebekah A Caruso

(74) *Attorney, Agent, or Firm* — Shay Glenn LLP

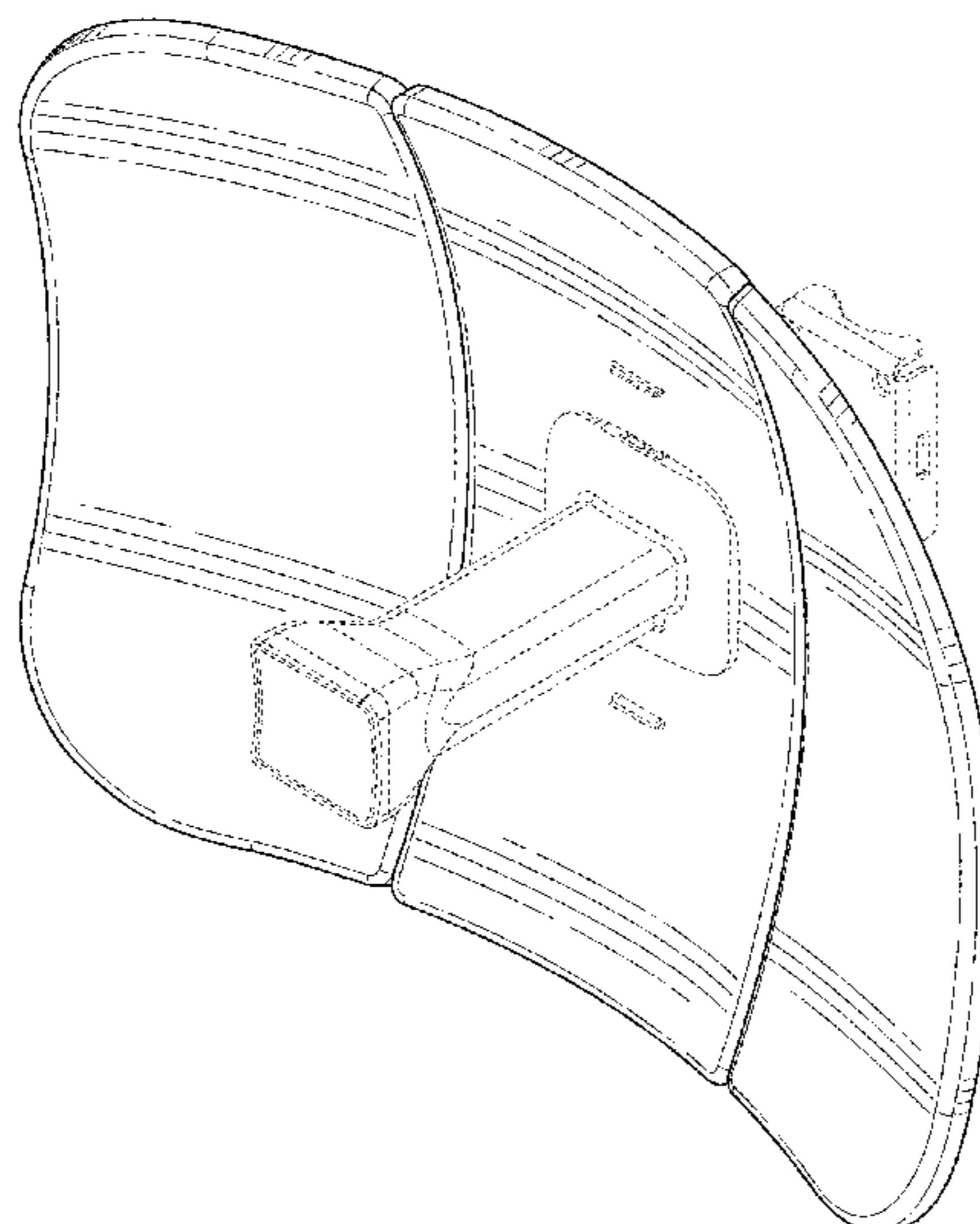
(57) **CLAIM**

The ornamental design for a multiple panel reflector dish antenna, as shown and described.

DESCRIPTION

FIG. 1 is a front isometric view of a multiple panel reflector dish antenna in accordance with the present invention. FIG. 2 is a back isometric view thereof; FIG. 3 is a front elevational view thereof; FIG. 4 is a back elevational view thereof; FIG. 5 is a left side view thereof, the right side being an identical image thereof; FIG. 6 is a top plan view thereof; FIG. 7 is a bottom plan view thereof; and, FIG. 8 is an exploded perspective view thereof. The broken lines shown in FIGS. 1-8 represent portions of the multiple panel reflector dish antenna that form no part of the claimed design.

1 Claim, 8 Drawing Sheets



(56)

References Cited

U.S. PATENT DOCUMENTS

D453,330 S * 2/2002 Weaver D14/231
D471,538 S * 3/2003 Forsyth D14/230
D482,677 S * 11/2003 Parsons D14/234
9,225,071 B2 * 12/2015 Lee H01Q 1/1207
D760,205 S * 6/2016 Zheng D14/230
D772,157 S * 11/2016 Banerjee D13/102
D800,100 S * 10/2017 Lee D14/231
D807,859 S * 1/2018 Wagner D14/215
D816,069 S * 4/2018 Burke D14/230
D827,621 S * 9/2018 Little D14/230
2004/0140943 A1 * 7/2004 Chang H01Q 3/46
343/840
2007/0210980 A1 * 9/2007 Shen H01Q 15/14
343/912

2012/0001824 A1* 1/2012 Yeh Lin H01Q 9/0471
343/893
2015/0077304 A1* 3/2015 Chang H01Q 15/16
343/837
2016/0156107 A1* 6/2016 Lee H01Q 15/162
343/840

OTHER PUBLICATIONS

Square Grid Parabolic Antenna, online, no post date, <URL: <https://www.indiamart.com/proddetail/square-grid-parabolic-antenna-1194732588.html>>, retrieved Jul. 21, 2016.*

Safeway Electrical Industries Private Limited; Square grid parabolic antenna; (Product Discription); 1 page; retrieved from the internet (<http://www.indiamart.com/proddetail/square-grid-parabolic-antenna-1194732588.html>) on Jul. 21, 2016.

* cited by examiner

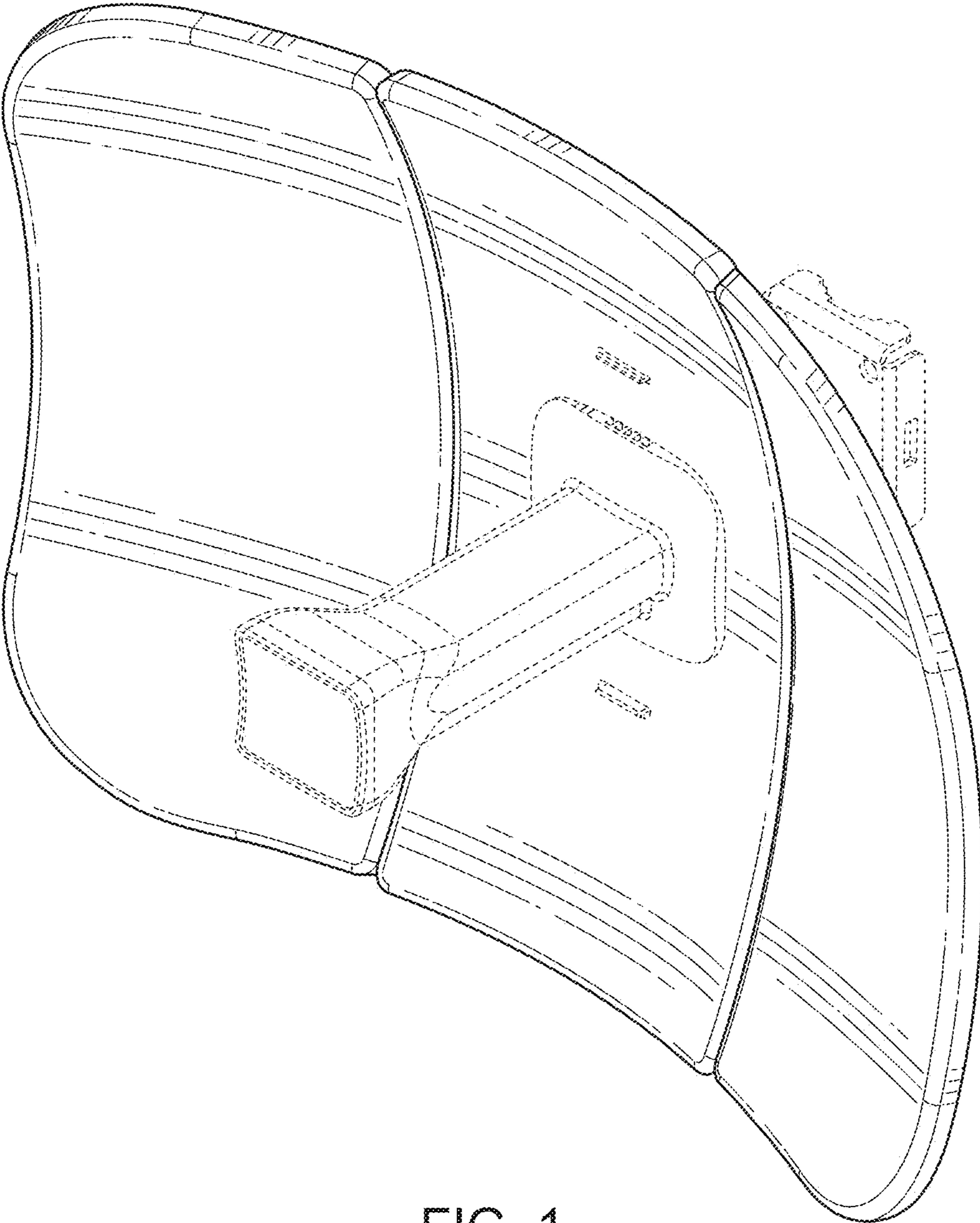


FIG. 1

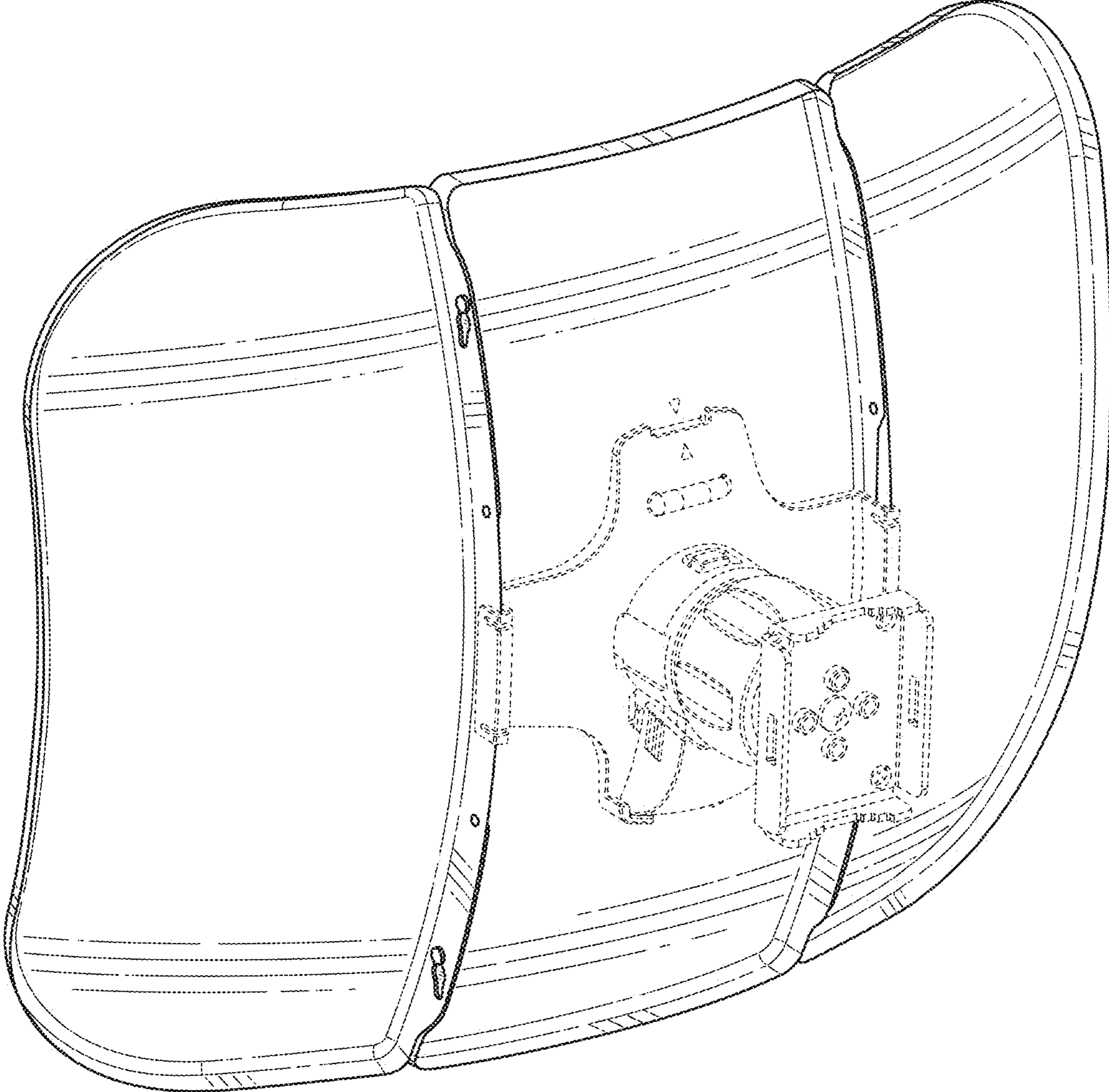


FIG. 2

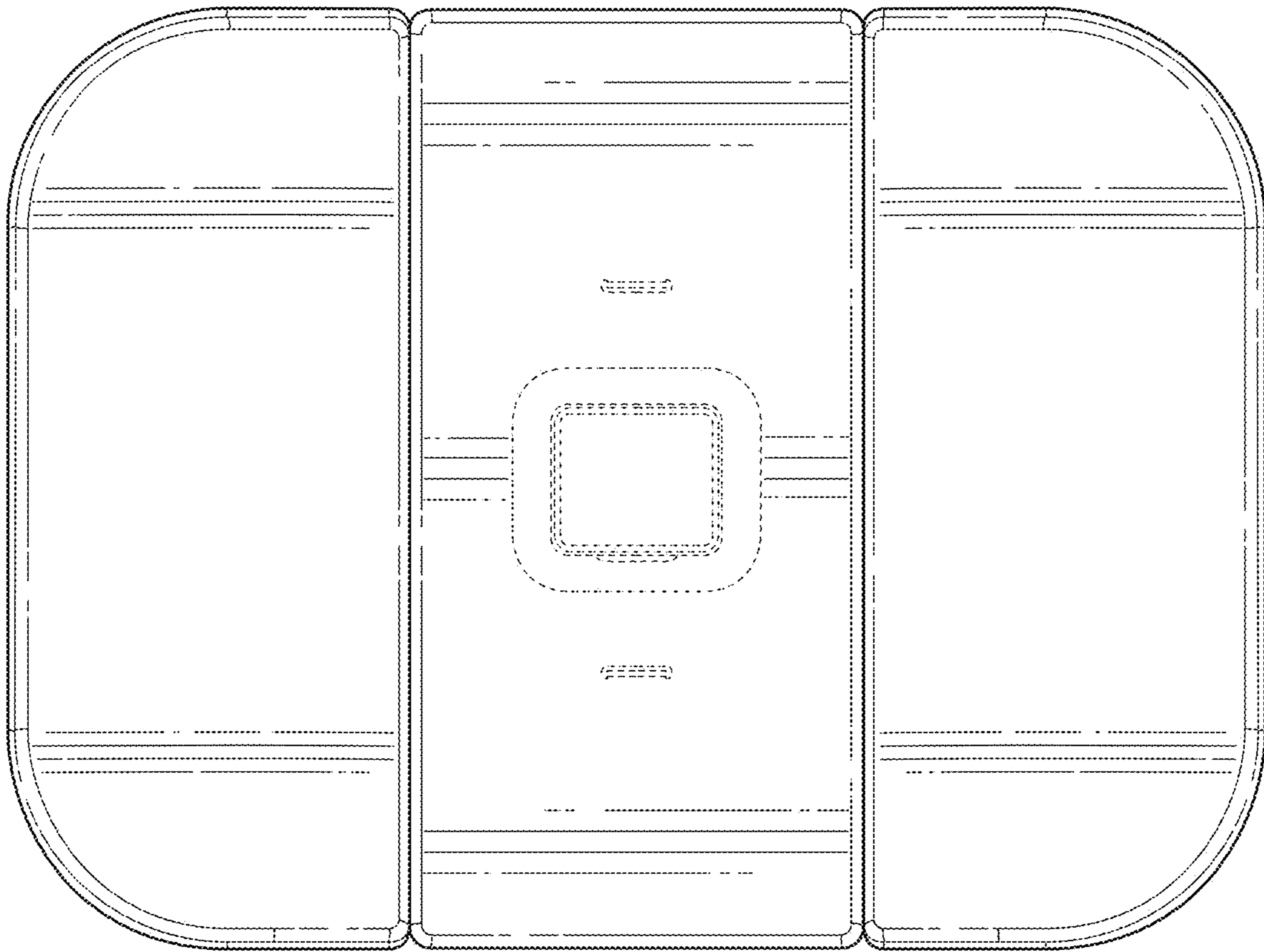


FIG. 3

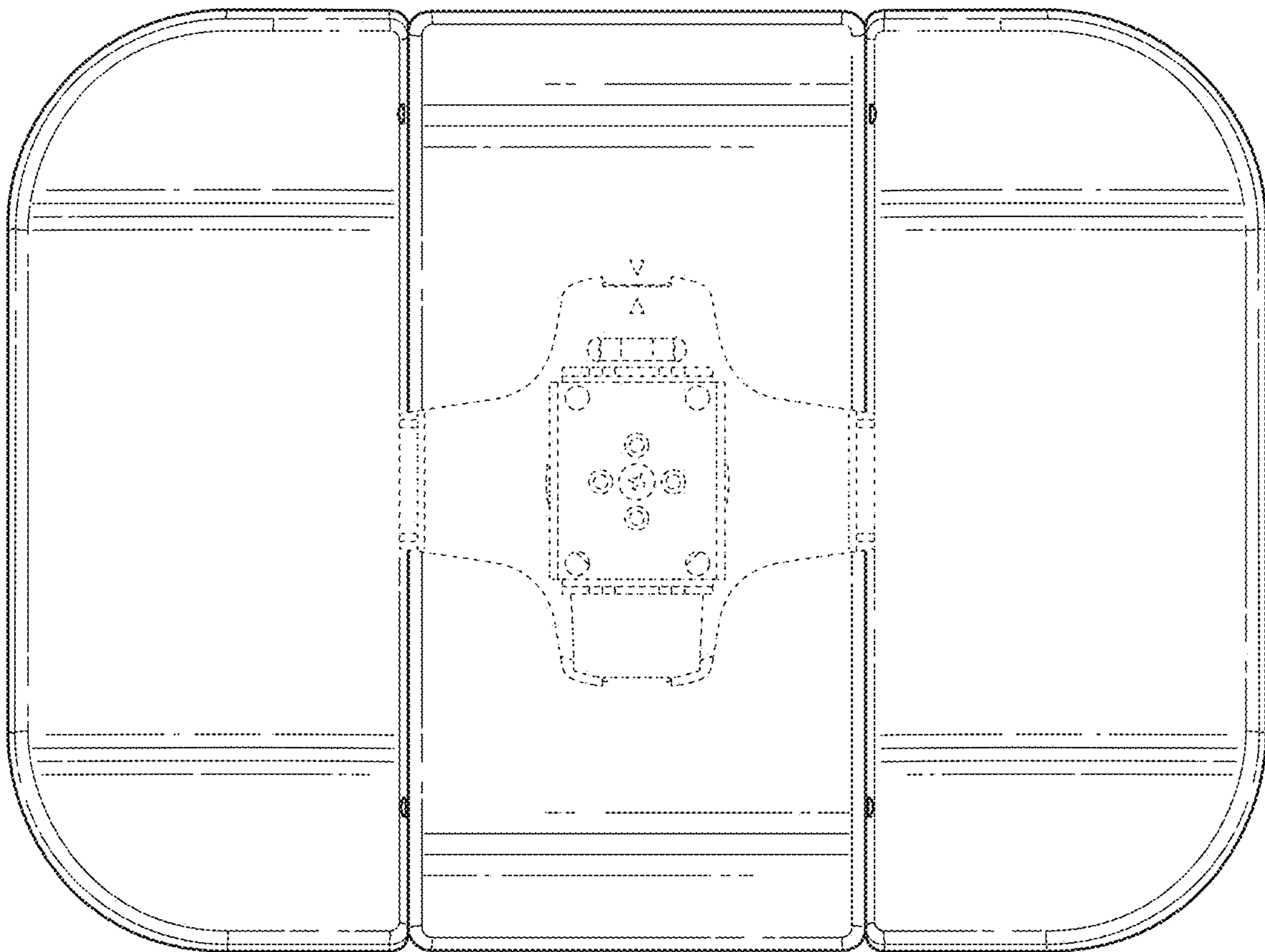


FIG. 4

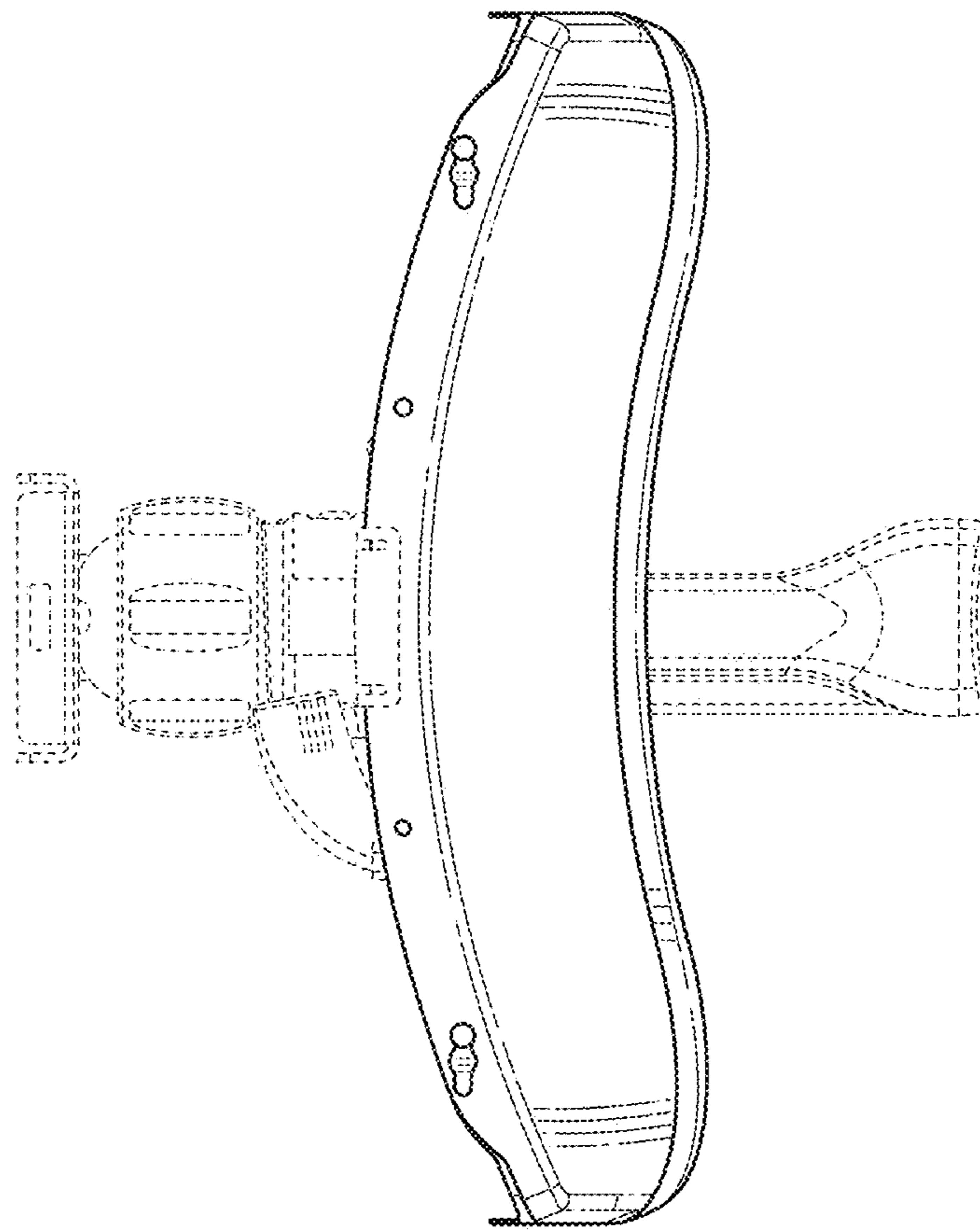


FIG. 5

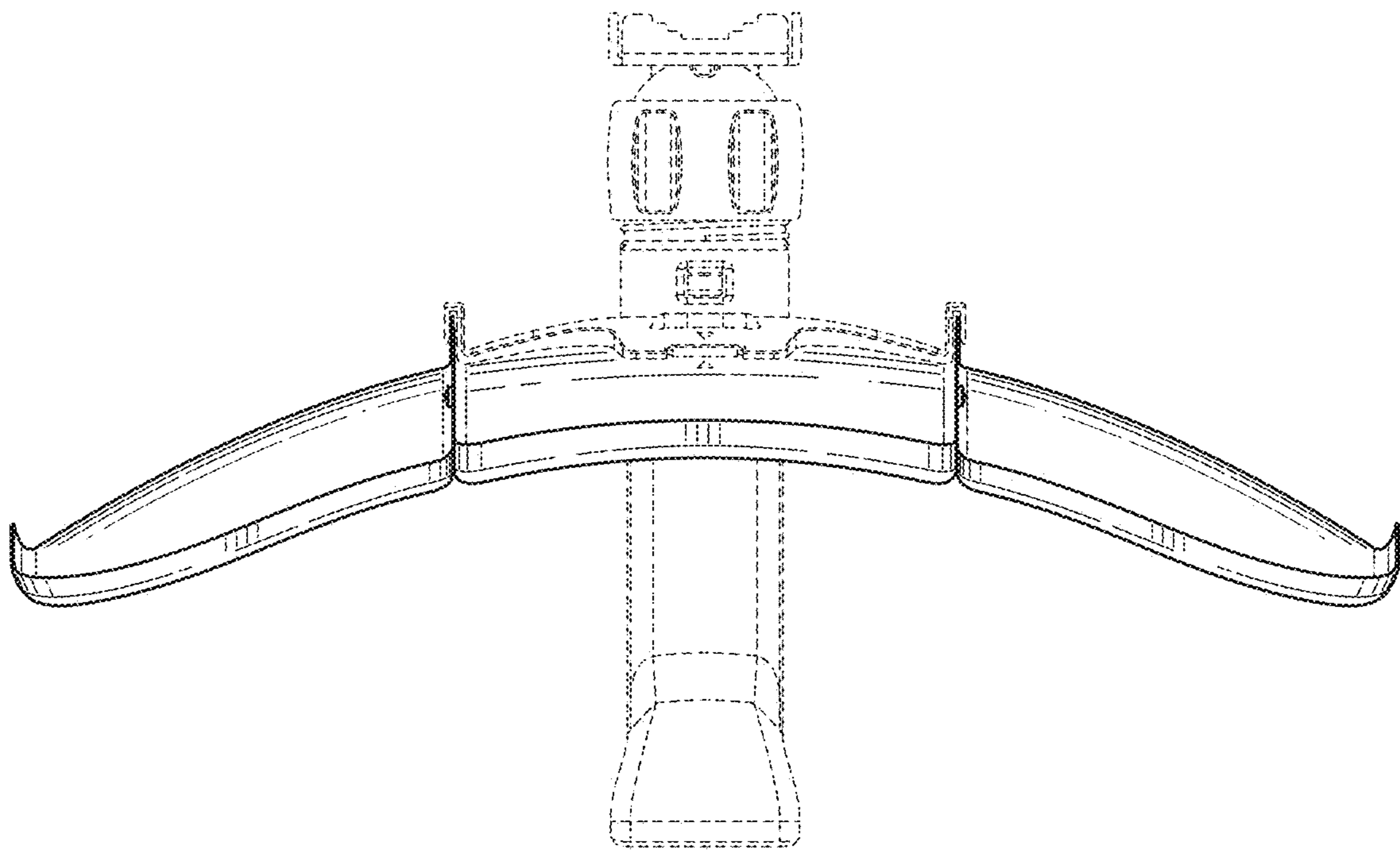


FIG. 6

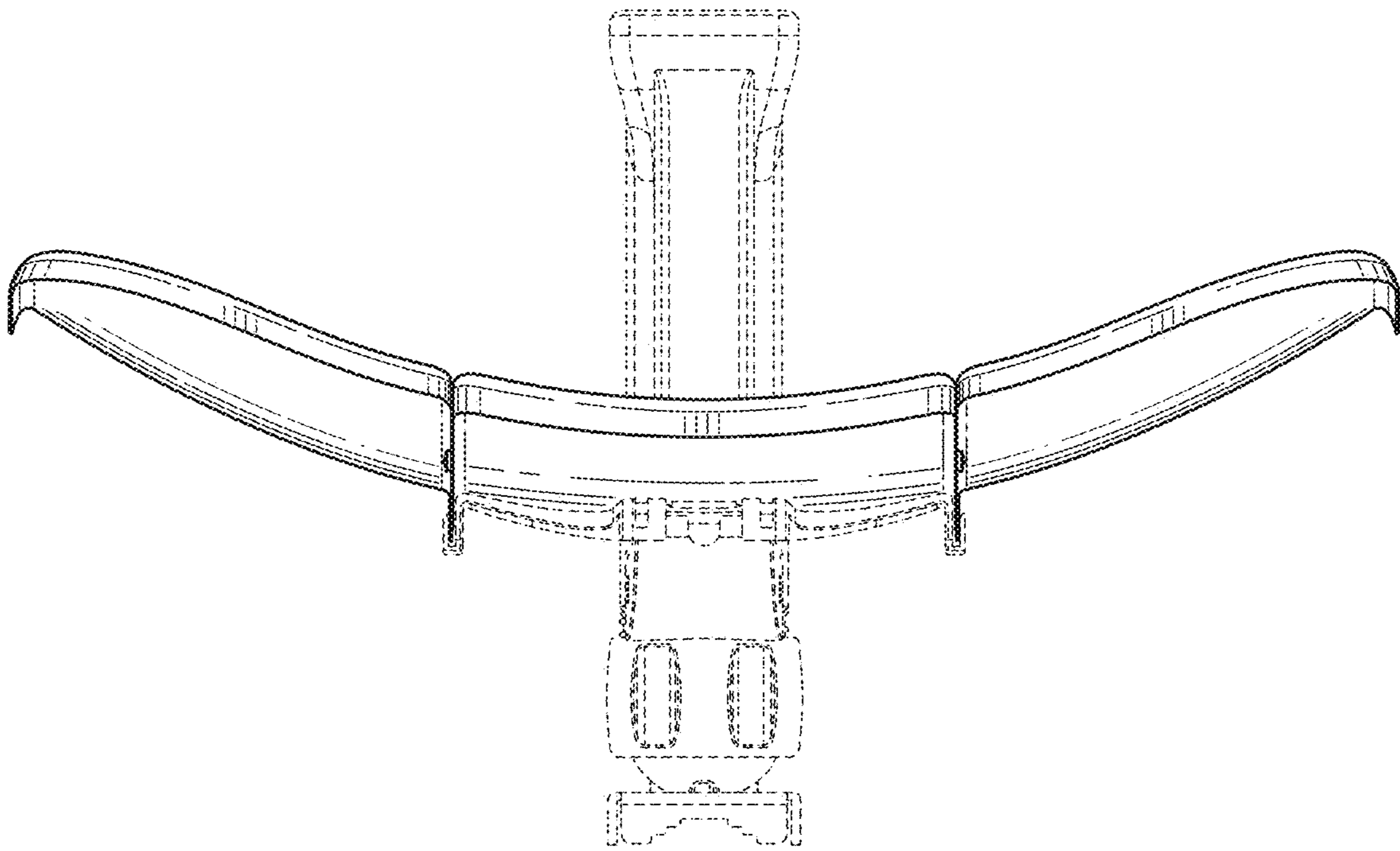


FIG. 7

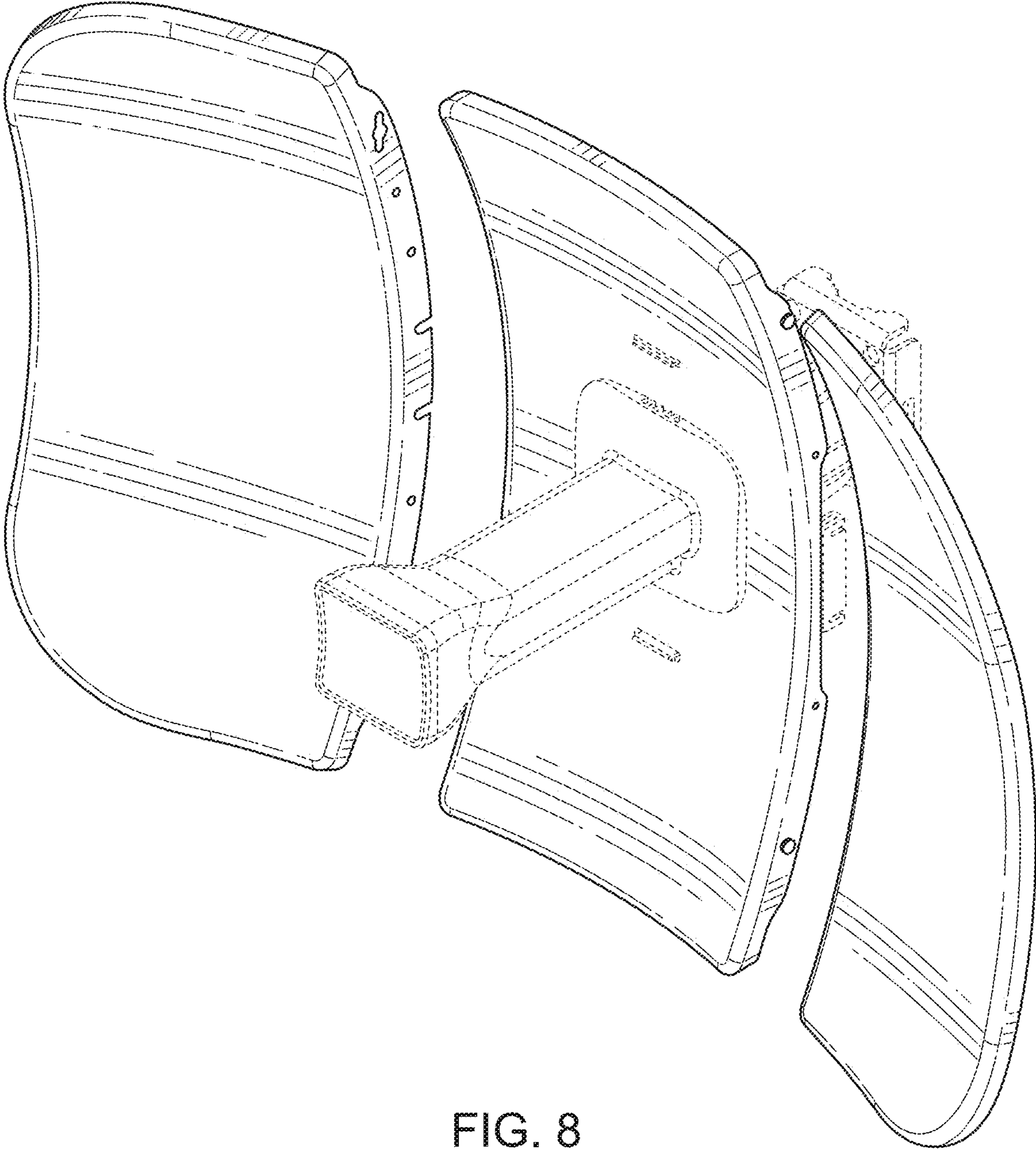


FIG. 8