



US00D881171S

(12) **United States Design Patent** (10) **Patent No.:** **US D881,171 S**
Sakamoto et al. (45) **Date of Patent:** **** Apr. 14, 2020**

(54) **ANTENNA ELEMENT**
(71) Applicant: **MITSUBISHI ELECTRIC CORPORATION**, Tokyo (JP)
(72) Inventors: **Hiroaki Sakamoto**, Tokyo (JP); **Takashi Yanagi**, Tokyo (JP); **Yusuke Kitsukawa**, Tokyo (JP); **Moriyasu Miyazaki**, Tokyo (JP); **Takuma Kadoya**, Tokyo (JP); **Yuichi Hagito**, Tokyo (JP)

(73) Assignee: **Mitsubishi Electric Corporation**, Tokyo (JP)

(**) Term: **15 Years**

(21) Appl. No.: **29/633,297**

(22) Filed: **Jan. 12, 2018**

(30) **Foreign Application Priority Data**

Sep. 29, 2017 (JP) 2017-021392
Sep. 29, 2017 (JP) 2017-021393

(51) **LOC (12) Cl.** **14-03**

(52) **U.S. Cl.**
USPC **D14/230**

(58) **Field of Classification Search**
USPC D14/138, 230-238, 299, 358; D12/42, D12/43

CPC H01Q 7/00; H01Q 13/10; H01Q 9/285; H01Q 19/30; H01Q 19/12; H01Q 1/38; H01Q 1/36; H01Q 2/0027; H01Q 1/48; H01Q 9/045; H01Q 1/243; H04B 1/0475; H04B 1/034; H05K 11/00

See application file for complete search history.

(56) **References Cited**

U.S. PATENT DOCUMENTS

D621,819 S * 8/2010 Tsai D14/230
D685,772 S * 7/2013 Zheng D14/230

D706,750 S * 6/2014 Bringuier D14/230
D772,849 S * 11/2016 Chen D14/230
D810,058 S * 2/2018 Zheng D14/230
D814,448 S * 4/2018 Montgomery D14/230
D838,261 S * 1/2019 He D14/230
D845,284 S * 4/2019 He D14/230
2009/0027275 A1 * 1/2009 Su H01Q 1/242
343/700 MS
2010/0134358 A1 * 6/2010 Su H01Q 1/38
343/700 MS
2012/0229348 A1 * 9/2012 Chiang H01Q 1/2266
343/702
2017/0098636 A1 * 4/2017 Miyamoto H01L 25/167

* cited by examiner

Primary Examiner — John Windmuller

(74) *Attorney, Agent, or Firm* — Studebaker & Brackett PC

(57) **CLAIM**

The ornamental design for an antenna element, as shown and described.

DESCRIPTION

FIG. 1 is a front perspective view of the front, right, and top sides of an antenna element showing our new design;

FIG. 2 is a front view thereof;

FIG. 3 is a rear view thereof;

FIG. 4 is a right side view thereof, a left side view being a mirror image thereof;

FIG. 5 is a top plan view thereof;

FIG. 6 is a bottom view thereof; and,

FIG. 7 is a reference view of usage.

The broken lines shown in FIGS. 1-6 represent unclaimed subject matter of the antenna element and form no part of the claimed design.

The broken lines shown in FIG. 7 represent unclaimed subject matter of the antenna element and environmental subject matter and form no part of the claimed design.

1 Claim, 4 Drawing Sheets

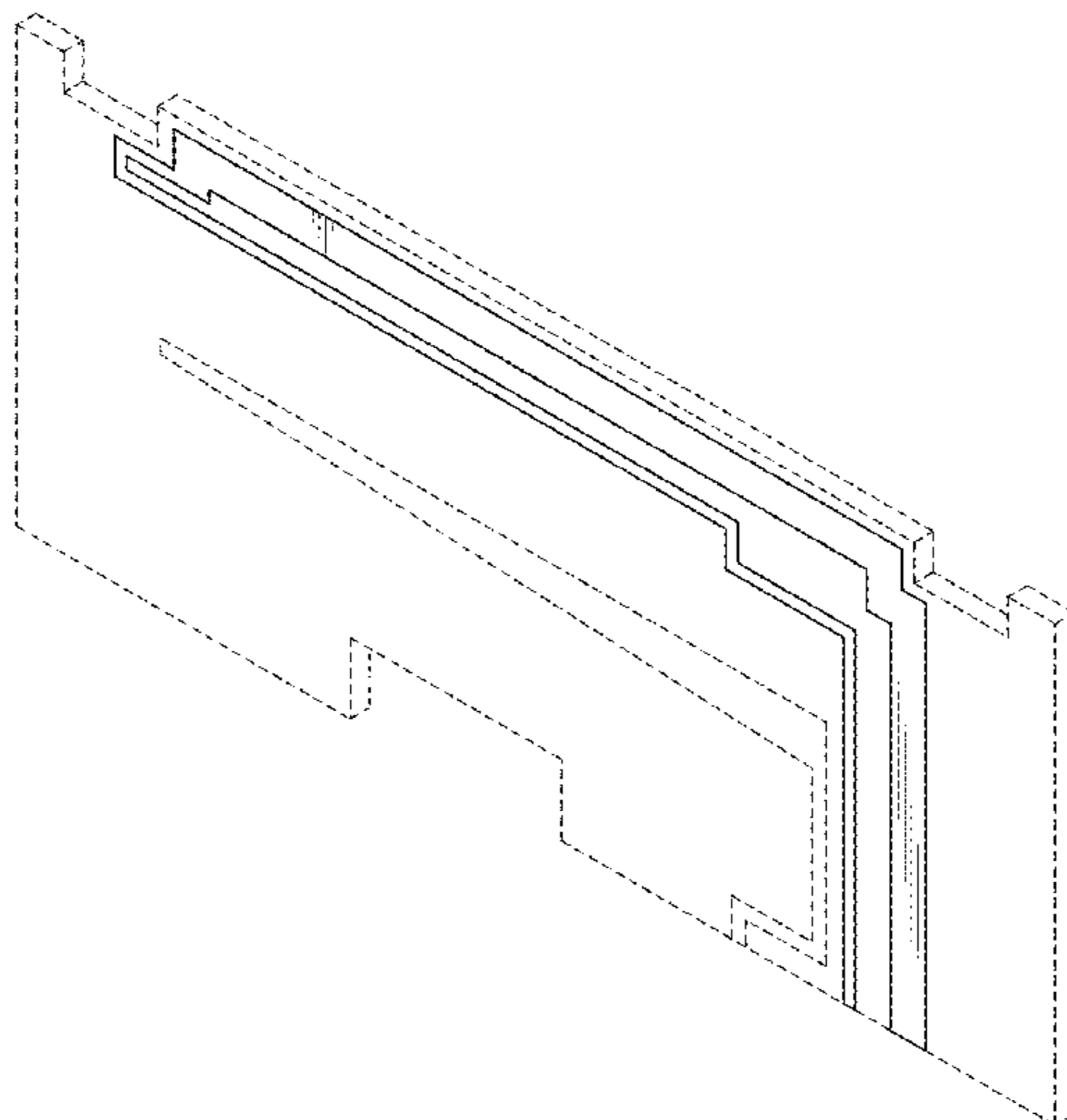


Fig. 1

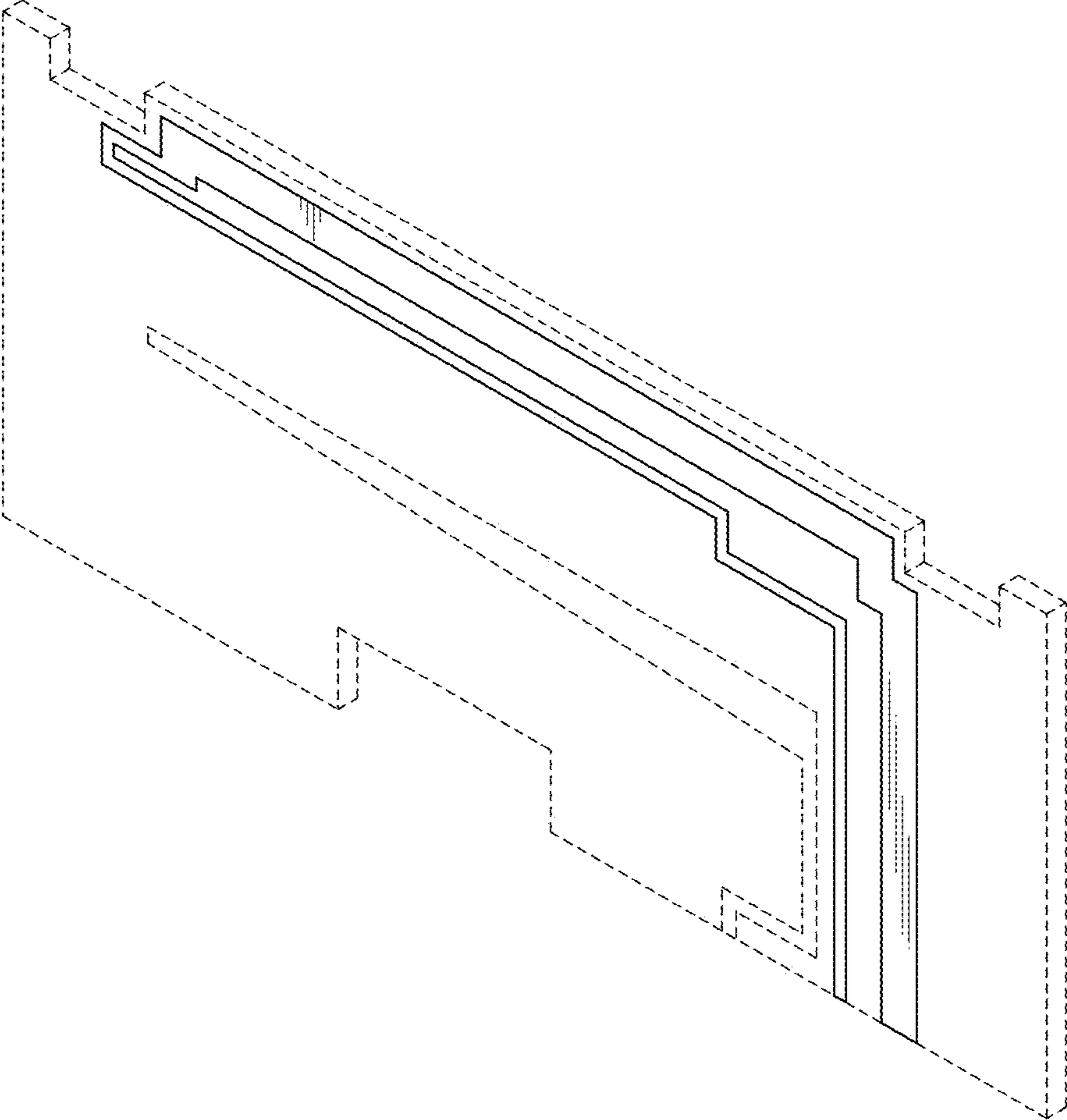


Fig. 2

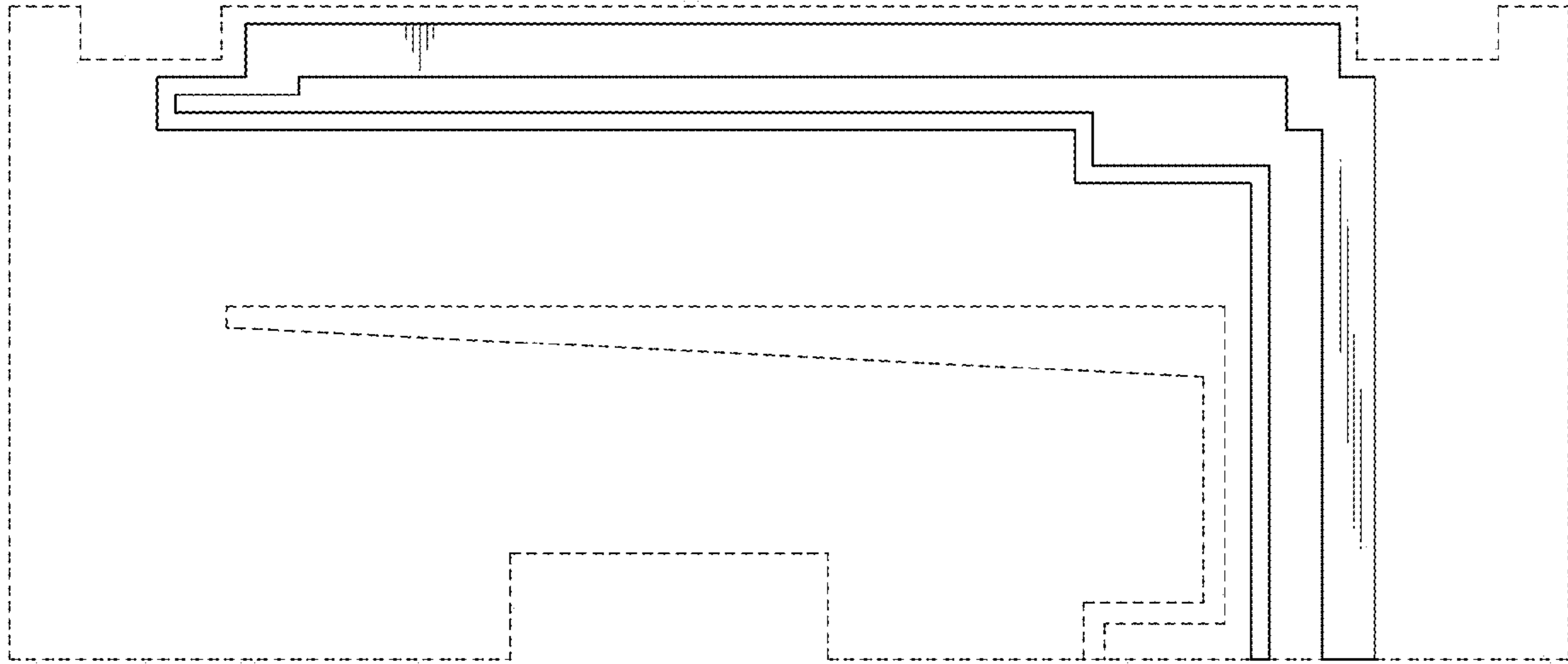


Fig. 3



Fig. 4

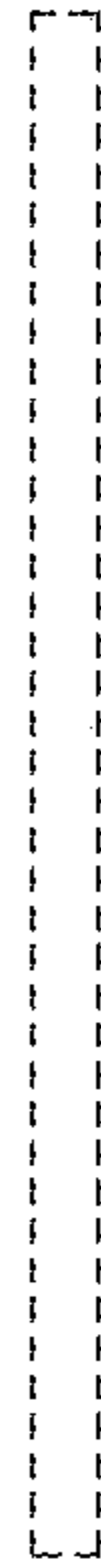


Fig. 5

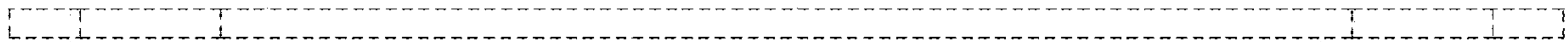


Fig. 6

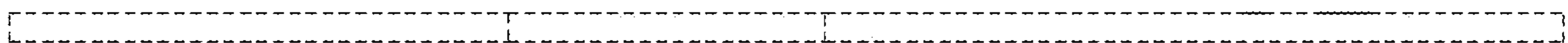


Fig. 7

