



US00D881167S

(12) **United States Design Patent**
Jiao

(10) **Patent No.:** **US D881,167 S**
(45) **Date of Patent:** **** Apr. 14, 2020**

- (54) **STAND FOR LOUDSPEAKER**
- (71) Applicant: **SHENZHEN HEALTHWELL TECHNOLOGY CO., LTD**, Shenzhen (CN)
- (72) Inventor: **Jianpo Jiao**, Shenzhen (CN)
- (73) Assignee: **SHENZHEN HEALTHWELL TECHNOLOGY CO., LTD.**, Shenzhen (CN)
- (**) Term: **15 Years**
- (21) Appl. No.: **29/717,311**
- (22) Filed: **Dec. 16, 2019**
- (51) **LOC (12) Cl.** **14-01**
- (52) **U.S. Cl.**
USPC **D14/224**
- (58) **Field of Classification Search**
USPC D14/224, 224.1, 217, 209.1, 204, 253, D14/211, 448, 447, 227, 203.8, 229, 451, D14/371, 452, 457, 454, 126; D8/373, D8/363, 349, 354, 380; D21/333; D16/242; 108/150, 159, 158; 248/917, 248/278.1, 288.51, 220.21, 324, 316.1; 455/90.3, 575.1, 569.1
CPC A47B 97/04; F16M 11/00; F16M 13/00; F16M 11/041; B60R 11/00; B60R 11/0235
See application file for complete search history.

- 3,539,234 A * 11/1970 Rapata F16C 11/06 384/203
- 3,724,798 A * 4/1973 Lucasey A47B 81/065 248/418
- 3,908,942 A * 9/1975 Keith A47B 81/065 248/158
- D269,945 S * 8/1983 Carney D8/355
- D291,316 S * 8/1987 Johnston D14/451
- 4,880,191 A * 11/1989 Lake, Jr. F16M 11/126 248/371
- 5,209,446 A * 5/1993 Kawai F16M 11/126 108/139
- 5,398,903 A * 3/1995 Cho A47B 81/065 248/349.1
- 5,497,965 A * 3/1996 Mathieu, Jr. F16M 11/041 248/159

(Continued)

FOREIGN PATENT DOCUMENTS

EM 000842224-0001 * 12/2007
Primary Examiner — Paula Allen Greene

(57) **CLAIM**

The ornamental design for a stand for loudspeaker, as shown and described.

DESCRIPTION

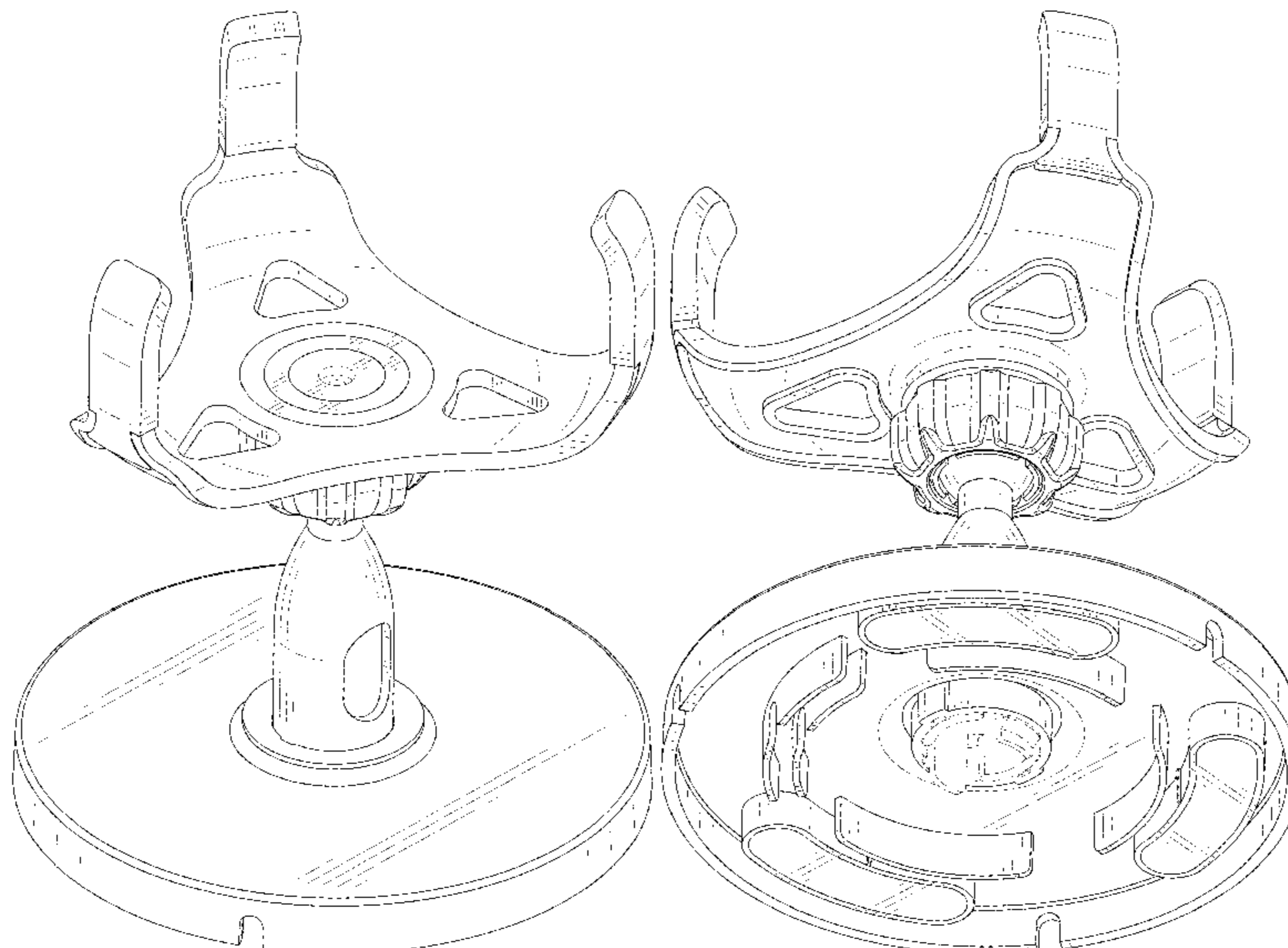
FIG. 1 is a perspective view of a stand for loudspeaker showing my new design;
FIG. 2 is another perspective view thereof;
FIG. 3 is a front elevational view thereof;
FIG. 4 is a rear elevational view thereof;
FIG. 5 is a left side elevational view thereof;
FIG. 6 is a right side elevational view thereof;
FIG. 7 is a top plan view thereof; and,
FIG. 8 is a bottom plan view thereof.
The broken lines in the drawings depict portions of the stand for loudspeaker that form no part of the claimed design.

1 Claim, 8 Drawing Sheets

(56) **References Cited**

U.S. PATENT DOCUMENTS

- 2,107,124 A * 2/1938 Markert F21V 21/14 248/185.1
- 3,119,586 A * 1/1964 Hoffman A47G 33/126 248/524
- 3,153,123 A * 10/1964 Harman H04R 1/08 381/363



US D881,167 S

Page 2

(56)

References Cited

U.S. PATENT DOCUMENTS

5,566,917 A * 10/1996 Wu A47K 1/08
248/311.2
6,330,993 B1 * 12/2001 Cho F16M 11/10
248/183.1
6,702,238 B1 * 3/2004 Wang F16M 11/10
248/125.8
D489,377 S * 5/2004 Van Kuijk D14/451
D521,850 S * 5/2006 Richter D8/354
D530,333 S * 10/2006 Richter D14/447
D533,174 S * 12/2006 Richter D14/251
D536,603 S * 2/2007 Worrall D8/363
D543,547 S * 5/2007 Muday D14/452
D543,548 S * 5/2007 Muday D14/452
D554,137 S * 10/2007 Richter D14/251
D557,126 S * 12/2007 Worrall D14/452
7,303,171 B1 * 12/2007 Chen B60R 11/00
224/908
D560,068 S * 1/2008 Dixon A45F 5/02
D3/218
D565,938 S * 4/2008 Massoumi D8/363
D567,810 S * 4/2008 Yeh D14/253
7,412,069 B2 * 8/2008 Workman H04R 1/08
381/363
D579,927 S 11/2008 Whitworth
D588,903 S * 3/2009 Carnevali D8/355
D592,188 S * 5/2009 Huang D14/217
D593,103 S * 5/2009 Richter D14/253
D595,299 S * 6/2009 Bures D14/452
D619,587 S * 7/2010 Richter D14/253
D621,408 S * 8/2010 Okoshi D14/451
D626,541 S * 11/2010 Kim D14/253
D627,624 S * 11/2010 Brassard D8/363
8,072,536 B1 * 12/2011 Campbell F16M 11/10
348/143
D654,120 S * 2/2012 Lin D14/434
8,164,303 B2 * 4/2012 Lin H02J 7/0044
320/107
D667,819 S * 9/2012 Slaton D14/224.1

8,636,257 B2 * 1/2014 Tsou B60R 11/02
248/121
D708,187 S * 7/2014 Xiang D14/447
D709,074 S * 7/2014 Tsui D14/447
8,905,367 B2 * 12/2014 Bury B60R 11/0241
248/316.4
8,979,040 B2 * 3/2015 Chien F16M 13/00
248/121
D727,333 S * 4/2015 Shih D14/447
D733,697 S * 7/2015 Palan D14/253
D741,291 S 10/2015 Fujioka
9,541,957 B1 * 1/2017 Liu G06F 1/1632
D788,080 S * 5/2017 Turksu D14/224
9,664,214 B1 * 5/2017 Gupta F16B 2/10
D827,617 S * 9/2018 Dillon D14/224
D855,038 S * 7/2019 Hu D14/224
D861,005 S * 9/2019 Kiernan-Lewis D14/451
D865,772 S * 11/2019 Theisen D14/452
D870,712 S * 12/2019 Yin D14/224
2005/0045794 A1 * 3/2005 Richter B60R 11/02
248/371
2007/0120024 A1 * 5/2007 Oddsen, Jr. F16M 11/2014
248/122.1
2007/0215762 A1 * 9/2007 Lee F16M 11/08
248/125.7
2008/0061199 A1 * 3/2008 Chen B60R 11/00
248/205.8
2009/0308993 A1 * 12/2009 Chang F16B 47/00
248/176.3
2012/0025036 A1 * 2/2012 Huang F16M 11/041
248/122.1
2013/0170823 A1 * 7/2013 McDonald G03B 17/565
396/428
2013/0270317 A1 * 10/2013 Wang B60R 11/02
224/570
2014/0061270 A1 * 3/2014 Richter B62J 11/00
224/420
2014/0138419 A1 * 5/2014 Minn F16M 11/105
224/567
2015/0076299 A1 * 3/2015 Yu F16M 13/022
248/205.8

* cited by examiner

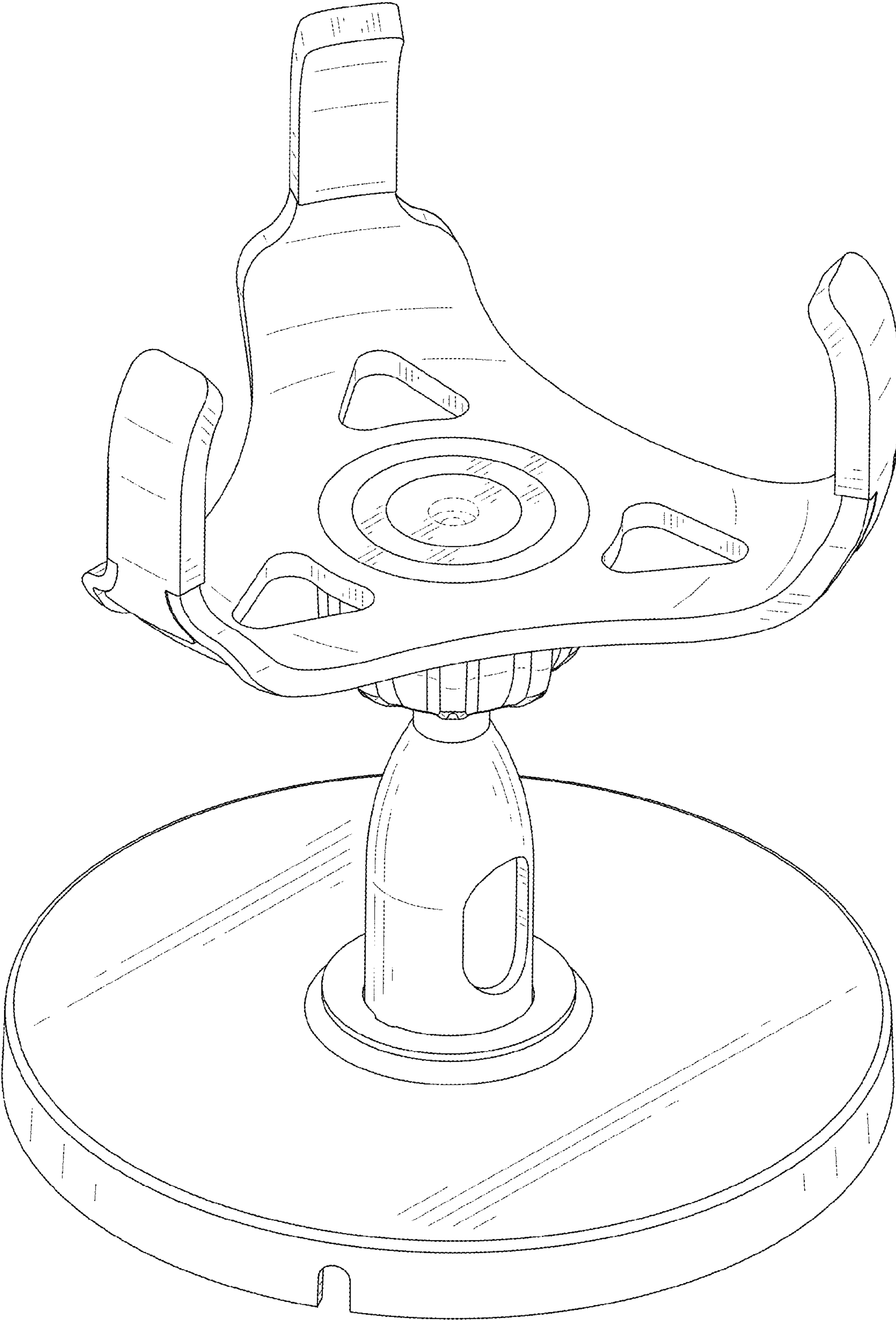


FIG. 1

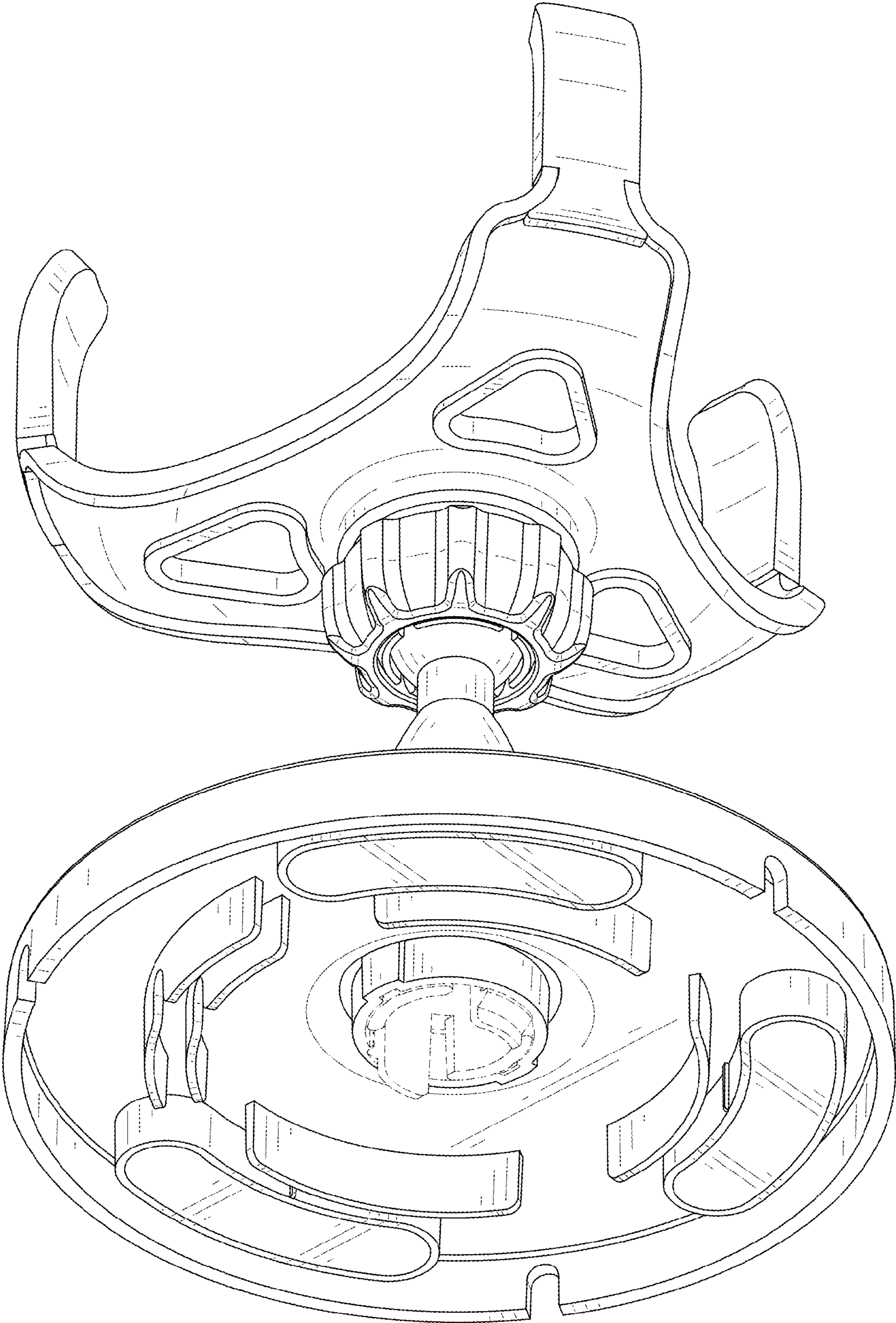


FIG. 2

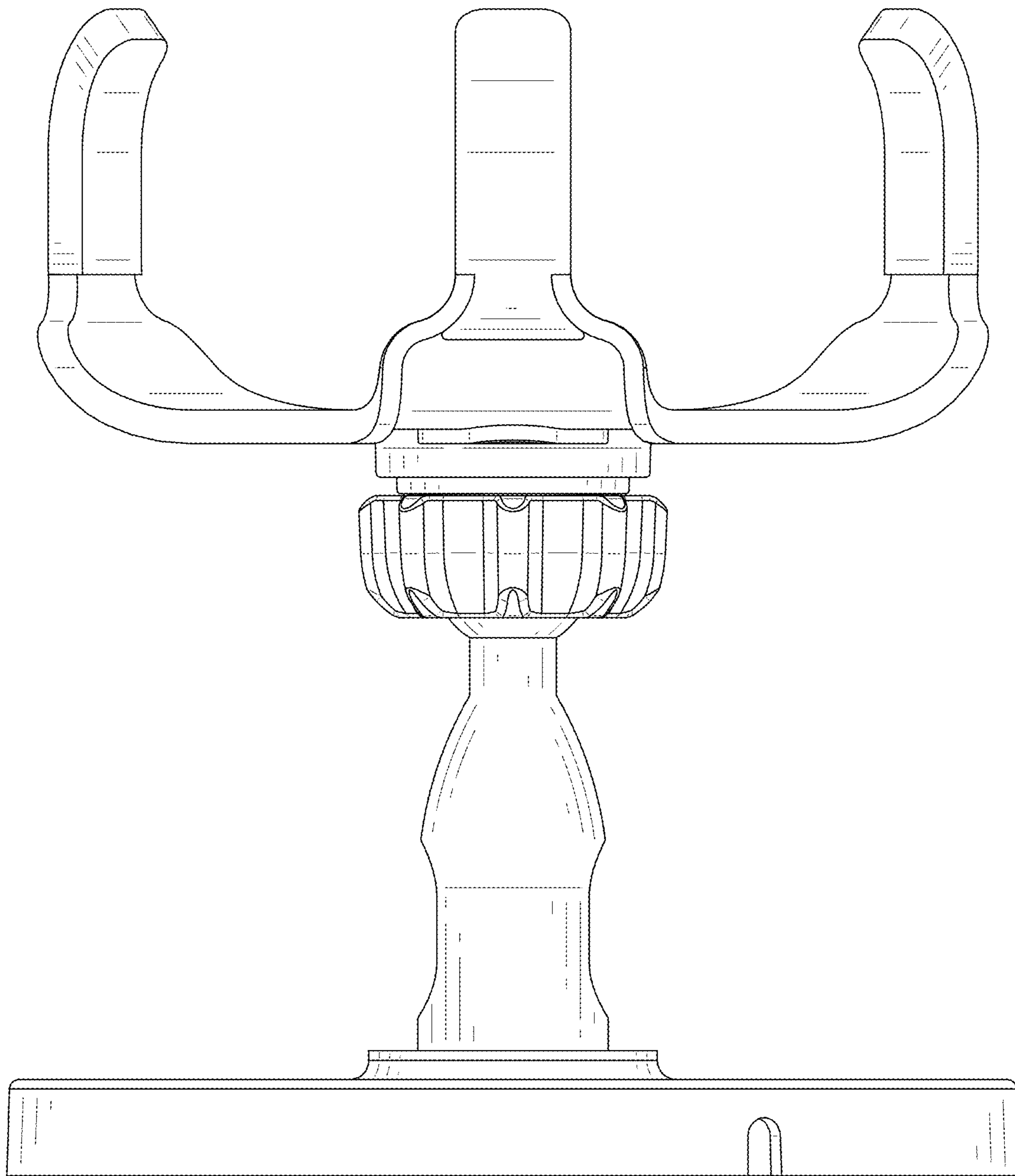


FIG. 3

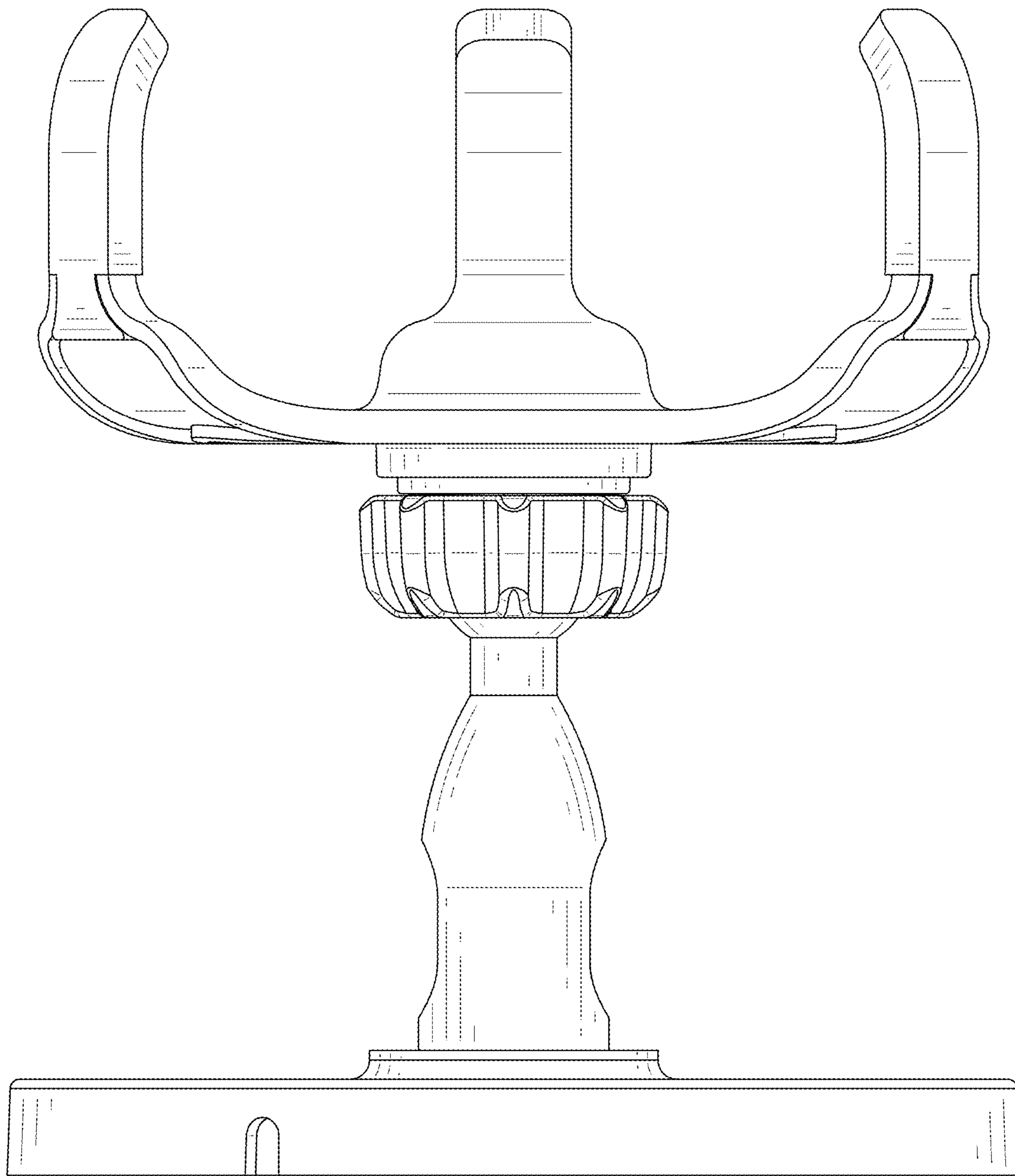


FIG. 4

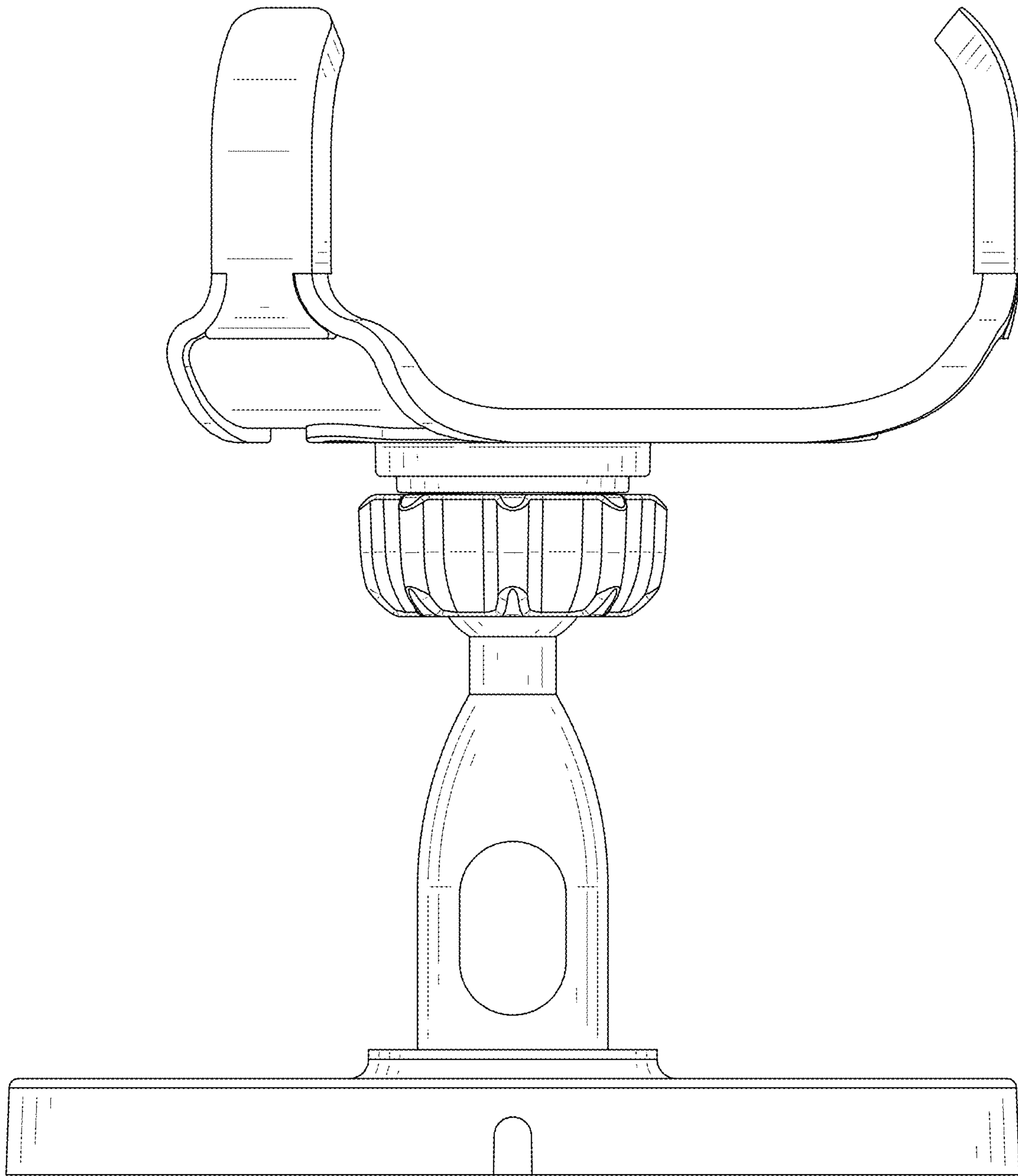


FIG. 5

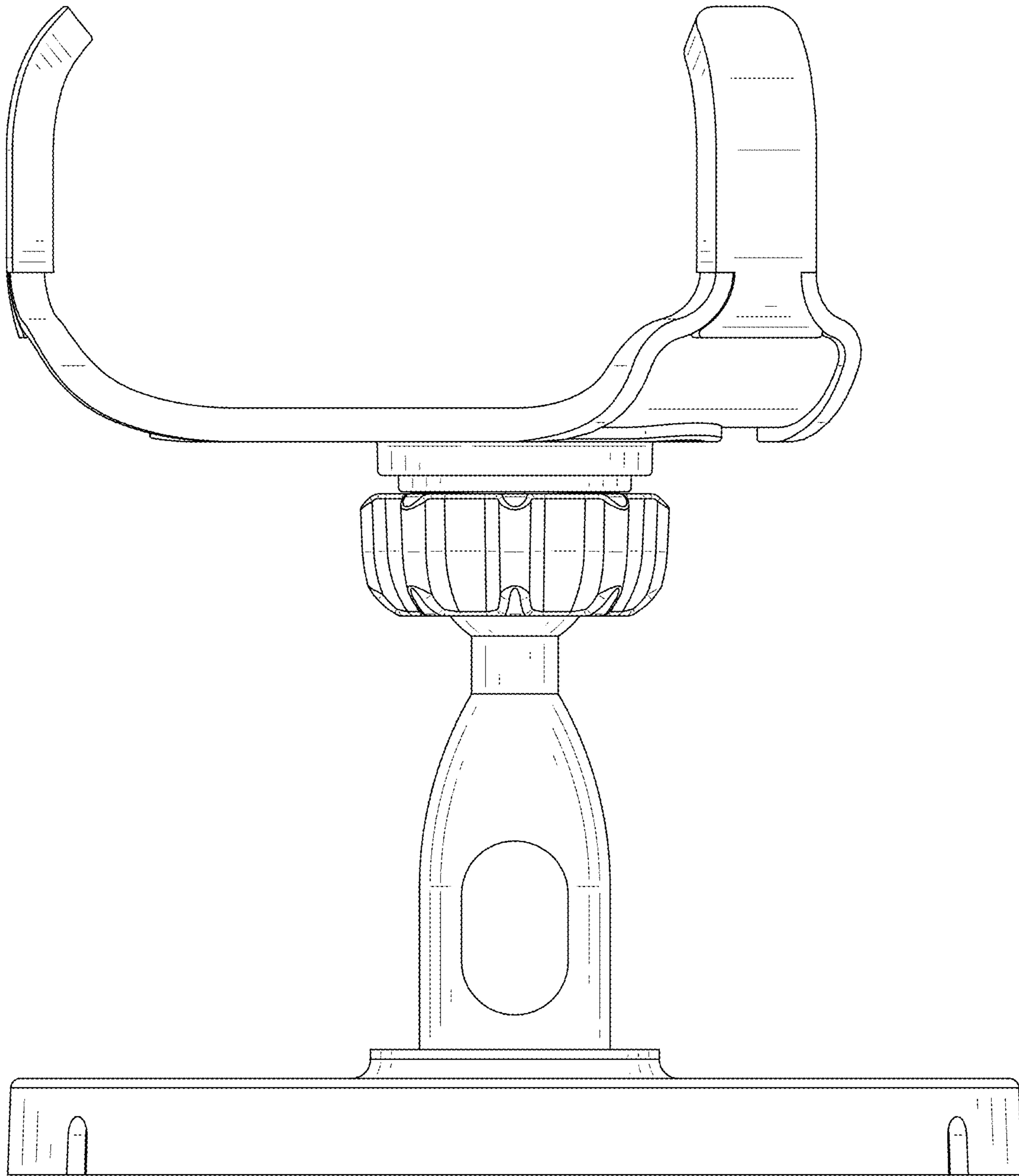


FIG. 6

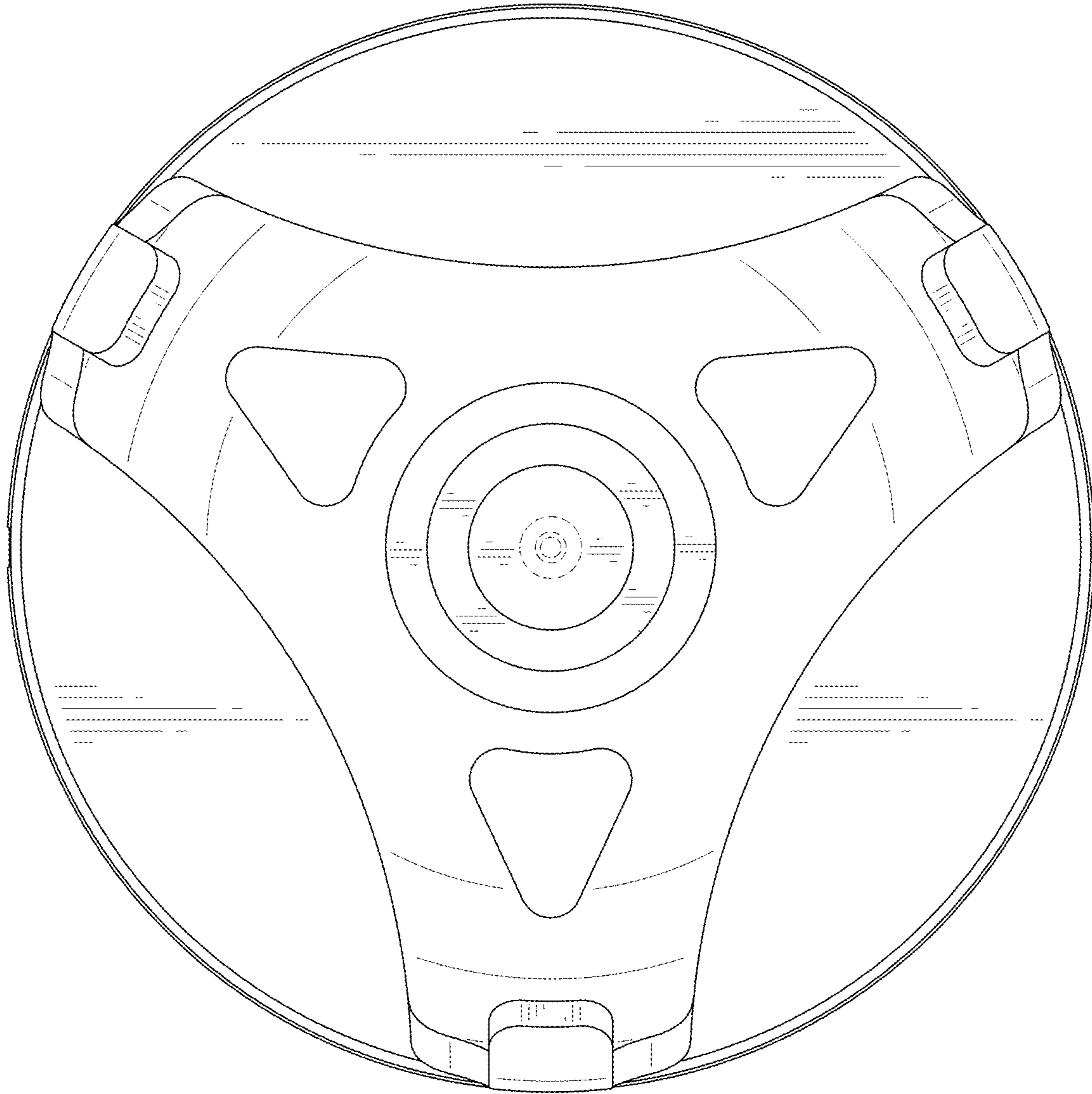


FIG. 7

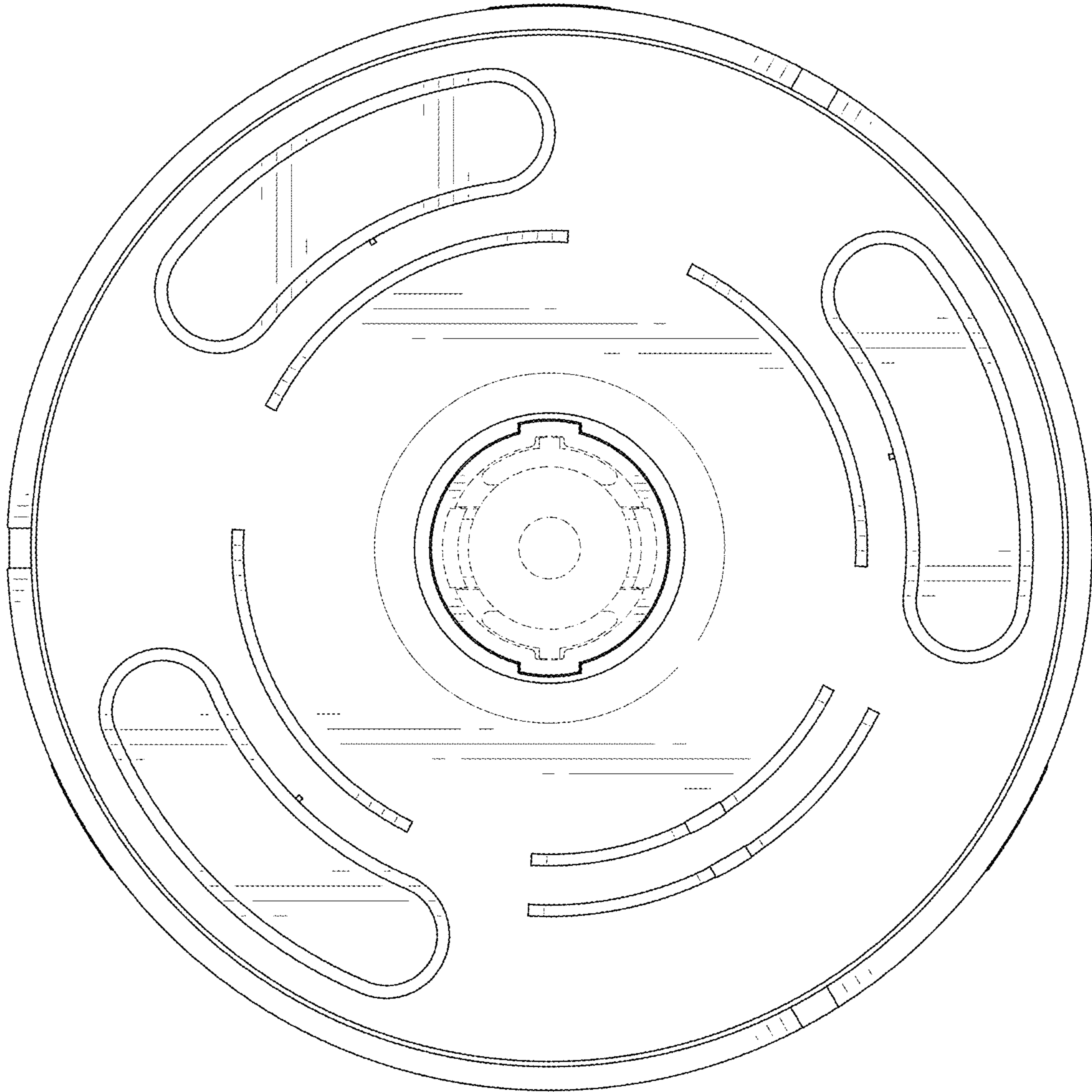


FIG. 8