



US00D881166S

(12) **United States Design Patent**
Lee

(10) **Patent No.:** **US D881,166 S**
(45) **Date of Patent:** **** Apr. 14, 2020**

(54) **EARPHONE PROTECTIVE COVER**

DESCRIPTION

- (71) Applicant: **elago CO. LTD**, Goyang-si, Gyeonggi-do (KR)
- (72) Inventor: **Chanwoo Lee**, Goyang-si (KR)
- (73) Assignee: **elago CO. LTD**, Goyang-si, Gyeonggi-Do (KR)
- (**) Term: **15 Years**
- (21) Appl. No.: **29/717,630**
- (22) Filed: **Dec. 18, 2019**
- (51) **LOC (12) Cl.** **14-01**
- (52) **U.S. Cl.**
USPC **D14/223; D14/205**
- (58) **Field of Classification Search**
USPC D14/223, 205, 250, 192, 217; D24/106, D24/174; 128/864, 865, 866, 868;
(Continued)

(56) **References Cited**

U.S. PATENT DOCUMENTS

- 2,719,523 A * 10/1955 Von Gierke A61F 11/10
128/864
- D251,478 S * 4/1979 Boden D8/383
(Continued)

FOREIGN PATENT DOCUMENTS

- CN 303403493 10/2015
- CN 304414398 12/2017
(Continued)

Primary Examiner — Paula Allen Greene

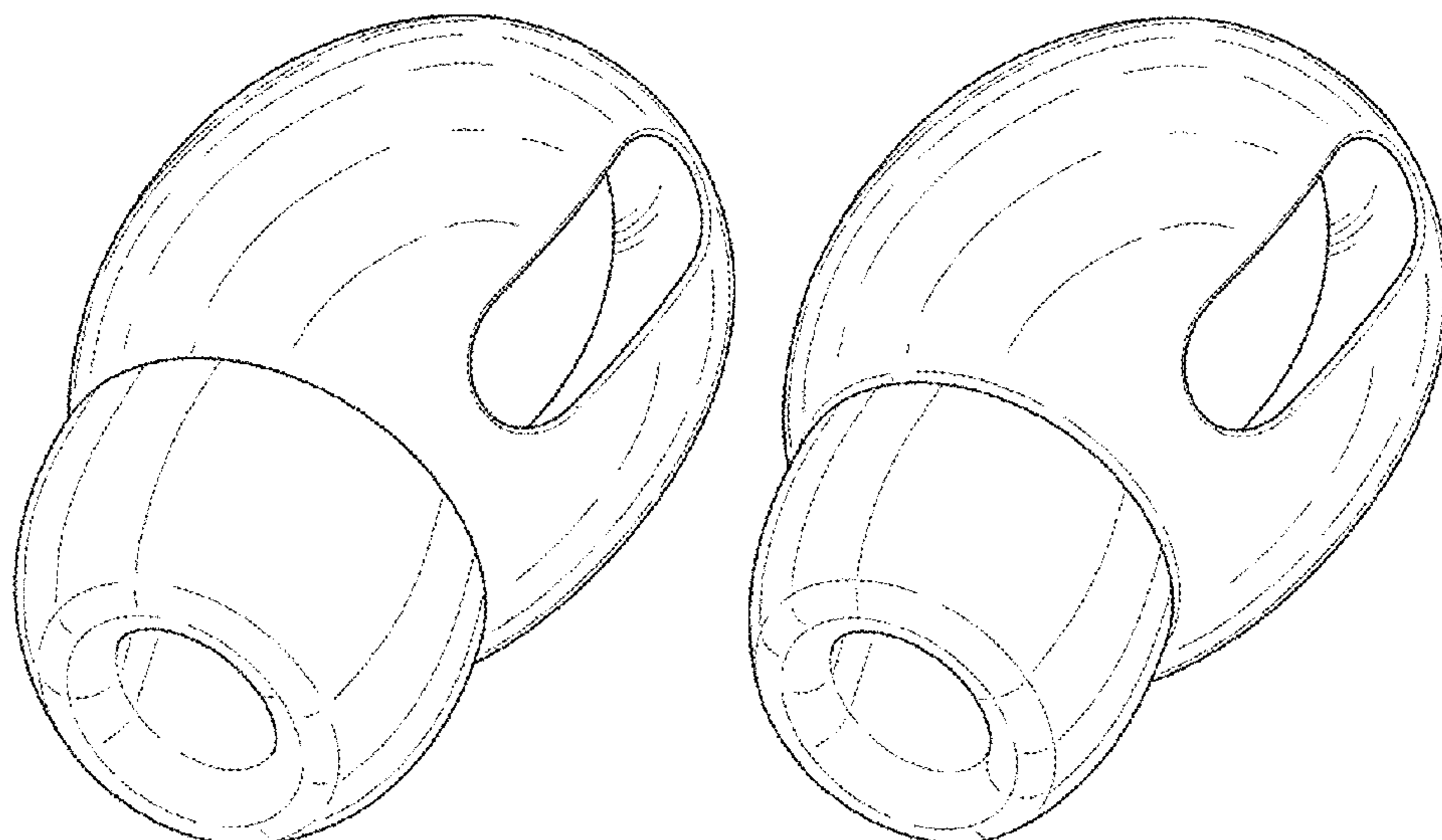
(74) *Attorney, Agent, or Firm* — Paratus Law Group, PLLC

(57) **CLAIM**

The ornamental design for an earphone protective cover, as shown and described.

FIG. 1 is a front, top, and left perspective view of an earphone protective cover, showing a first embodiment of the claimed design;
 FIG. 2 is a front view of the first embodiment;
 FIG. 3 is a back view of the first embodiment;
 FIG. 4 is a left side view of the first embodiment;
 FIG. 5 is a right view of the first embodiment;
 FIG. 6 is a top view of the first embodiment;
 FIG. 7 is a bottom view of the first embodiment;
 FIG. 8 is a front, top, and left perspective view of the first embodiment in which an earphone is fitted in use;
 FIG. 9 is a front, top, and left perspective view of an earphone protective cover, showing a second embodiment of the claimed design;
 FIG. 10 is a front view of the second embodiment;
 FIG. 11 is a back view of the second embodiment;
 FIG. 12 is a left side view of the second embodiment;
 FIG. 13 is a right view of the second embodiment;
 FIG. 14 is a top view of the second embodiment;
 FIG. 15 is a bottom view of the second embodiment;
 FIG. 16 is a front, top, and left perspective view of the second embodiment in which an earphone is fitted in use;
 FIG. 17 is a front, top, and left perspective view of an earphone protective cover, showing a third embodiment of the claimed design;
 FIG. 18 is a front view of the third embodiment;
 FIG. 19 is a back view of the third embodiment;
 FIG. 20 is a left side view of the third embodiment;
 FIG. 21 is a right view of the third embodiment;
 FIG. 22 is a top view of the third embodiment;
 FIG. 23 is a bottom view of the third embodiment; and,
 FIG. 24 is a front, top, and left perspective view of the third embodiment in which an earphone is fitted in use.
 The broken lines shown in FIGS. 8, 16, and 24 depict unclaimed environment and form no part of the claimed design.

1 Claim, 15 Drawing Sheets



US D881,166 S

Page 2

(58) Field of Classification Search

USPC D29/112; 2/209; 181/129, 130, 135;
379/430, 431, 420.02, 420.03; 381/380,
381/381, 373, 328, 323, 321, 326, 322,
381/361, 371, 355; 455/90.3, 575.1,
455/569.1
CPC H04R 1/10; H04R 25/00; H04R 1/1016;
H04R 5/033; H04R 5/0335; H04R 1/105;
H04R 1/1058; H04R 1/1041; H04R 1/12;
H04R 1/1008; H04R 1/1091; A61F 11/08
See application file for complete search history.

D755,158 S * 5/2016 Lee D14/205
D763,224 S * 8/2016 Silvestri A61F 11/08
D14/205
D770,425 S * 11/2016 Son D14/205
D773,439 S * 12/2016 Walker D14/205
D777,710 S * 1/2017 Palmborg D14/223
D779,461 S * 2/2017 Smith D14/223
D784,297 S * 4/2017 Lee D14/223
D800,097 S * 10/2017 Chen D14/223
D812,042 S * 3/2018 Xiao D14/223
D813,205 S * 3/2018 Palmborg D14/223
D813,848 S * 3/2018 Palmborg D14/223
D814,443 S * 4/2018 Sandanger A61F 11/08
D14/223

(56) References Cited

U.S. PATENT DOCUMENTS

D259,279 S * 5/1981 Takeda D24/106
4,375,016 A * 2/1983 Harada H04R 25/656
181/135
D287,764 S * 1/1987 Topholm D24/174
D287,765 S * 1/1987 Topholm D24/174
D430,673 S * 9/2000 Lindekugel D24/106
D468,301 S * 1/2003 Fushimi D14/223
D478,991 S * 8/2003 Dyer D24/174
D514,094 S * 1/2006 Griffin D14/223
7,010,137 B1 * 3/2006 Leedom A61B 5/6817
381/328
7,092,543 B1 * 8/2006 Mahoney H04R 25/65
381/322
7,113,611 B2 * 9/2006 Leedom H04R 25/65
381/322
D550,657 S * 9/2007 Gan D14/223
D618,218 S * 6/2010 Burgett D14/223
D618,219 S * 6/2010 Burgett D14/223
D622,265 S * 8/2010 Rye D14/223
D645,458 S * 9/2011 Silvestri H04R 1/1016
D14/223
D654,056 S * 2/2012 Hoggarth D14/205
8,189,845 B2 5/2012 Mulvey
8,731,227 B2 * 5/2014 Hwang H04R 1/1091
381/379
D726,694 S * 4/2015 Behar D14/223
D728,532 S * 5/2015 Kurtz D14/223
D744,456 S * 12/2015 Pedersen D14/223

D828,826 S * 9/2018 Schaal D14/223
D842,843 S * 3/2019 Paschke D14/223
D852,171 S * 6/2019 Cai D14/223
D860,172 S * 9/2019 Yun D14/223
D866,532 S * 11/2019 Zhang D14/223
D868,729 S 12/2019 Czaniecki
D869,431 S 12/2019 Czaniecki
D869,444 S * 12/2019 Tang D14/223
D870,079 S * 12/2019 Yun D14/223
D870,707 S 12/2019 Yang
D872,060 S * 1/2020 Briggs D14/223
D872,061 S * 1/2020 Cui D14/223
D872,062 S * 1/2020 Cui D14/223
2012/0087511 A1 * 4/2012 Lumsden H04R 1/1016
381/74
2013/0259286 A1 * 10/2013 Chung H04R 1/1016
381/380
2014/0138179 A1 5/2014 Burton
2015/0023542 A1 * 1/2015 Shimizu H04R 1/1075
381/380
2016/0269823 A1 * 9/2016 Lee H04R 1/023
2017/0094387 A1 * 3/2017 Huwe H04R 1/1016
2018/0160214 A1 * 6/2018 Zhao H04R 1/1016
2018/0310089 A1 * 10/2018 Yun H04R 1/105

FOREIGN PATENT DOCUMENTS

CN 304980651 1/2019
WO WO 2017/028369 A1 2/2017
WO WO 2018/058878 A1 4/2018

* cited by examiner

FIG. 1

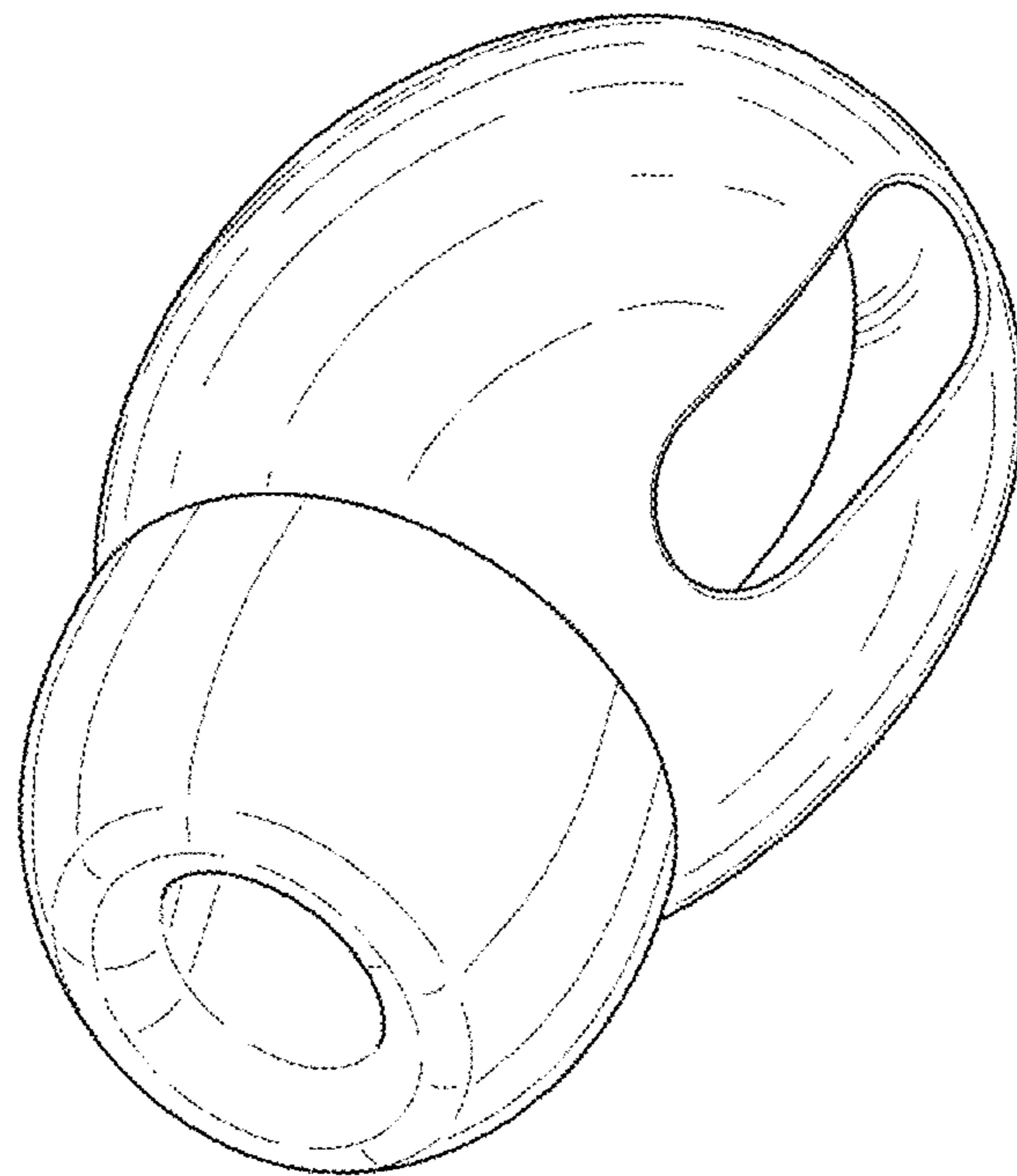


FIG. 2

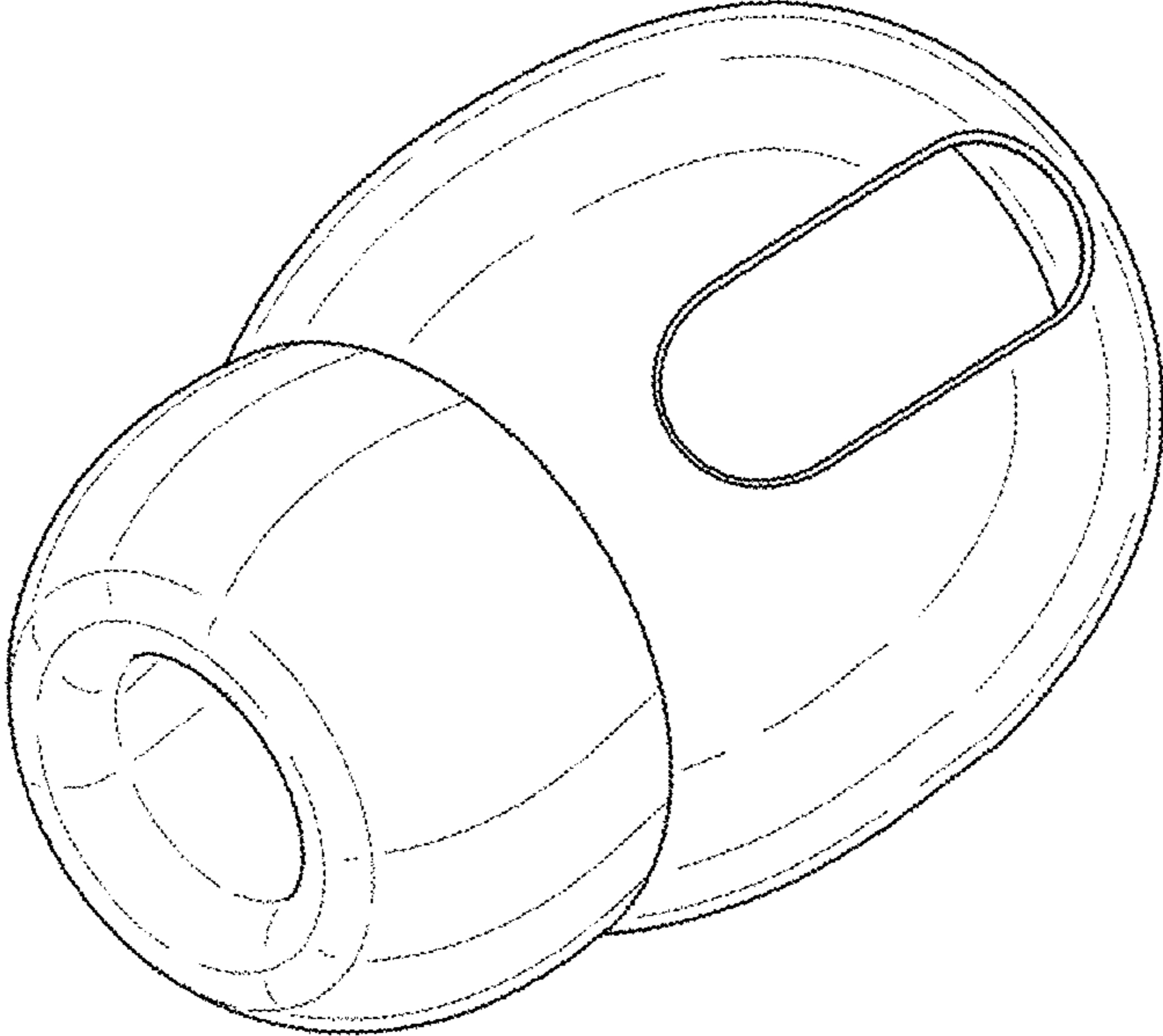


FIG. 3

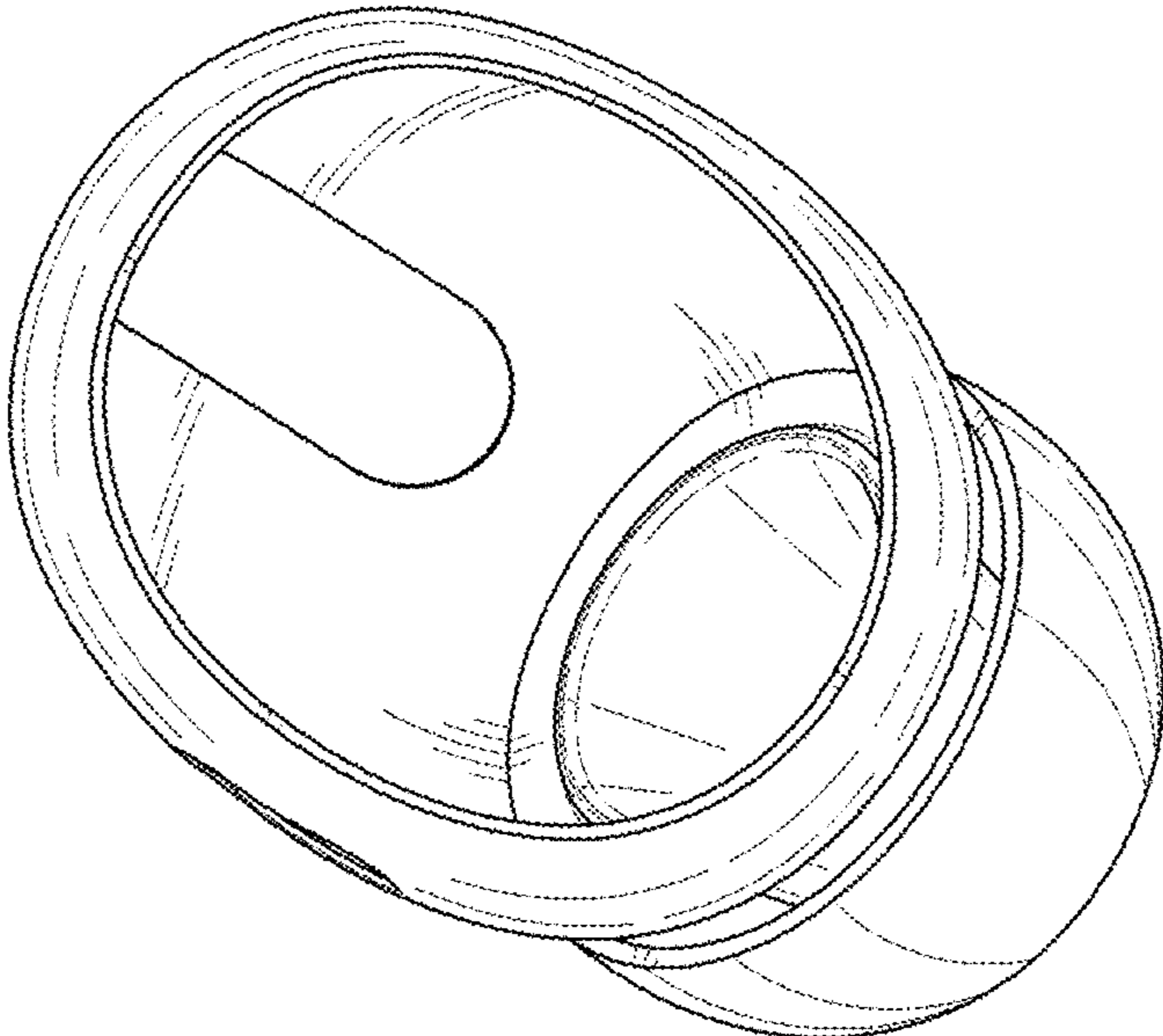


FIG. 4

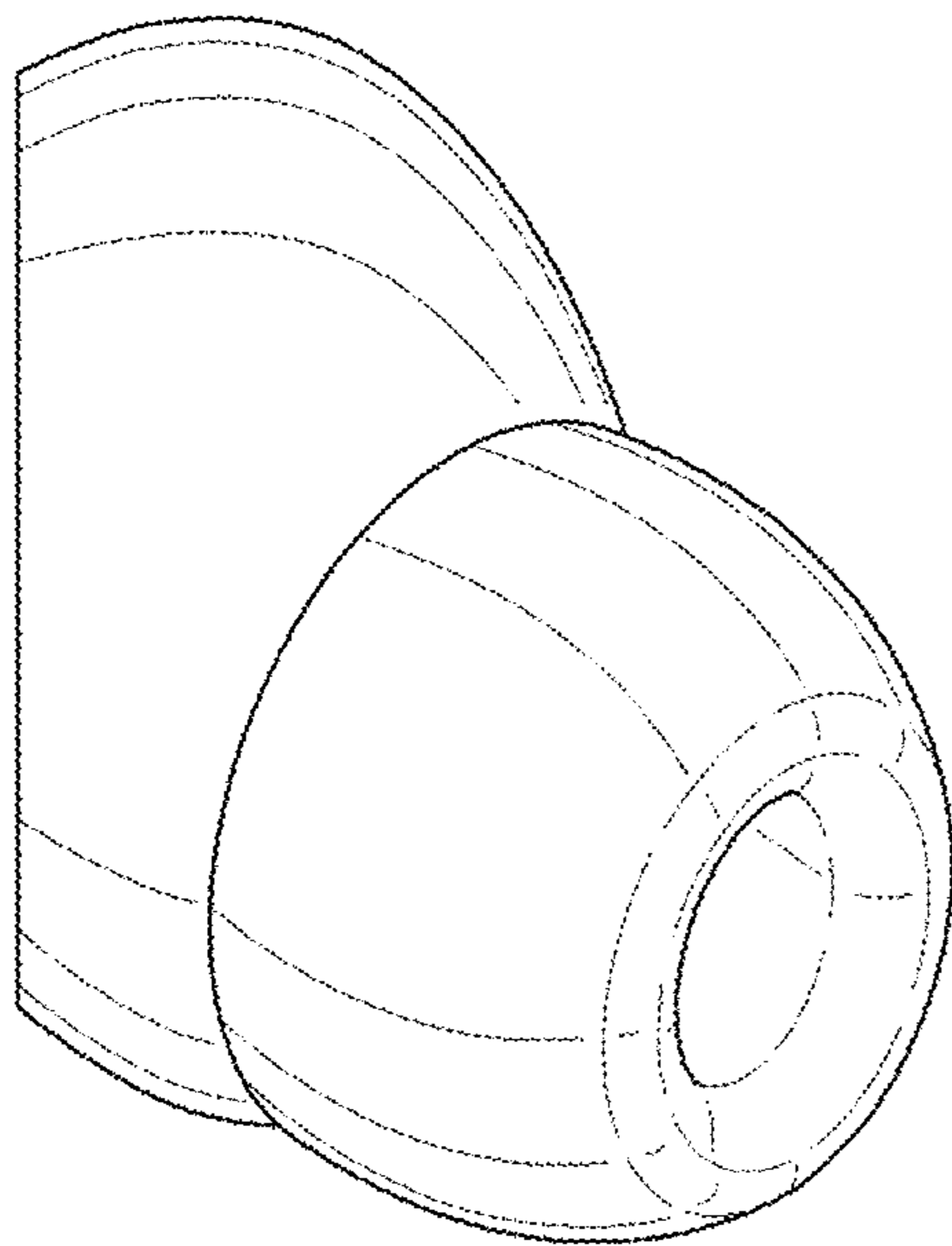


FIG. 5

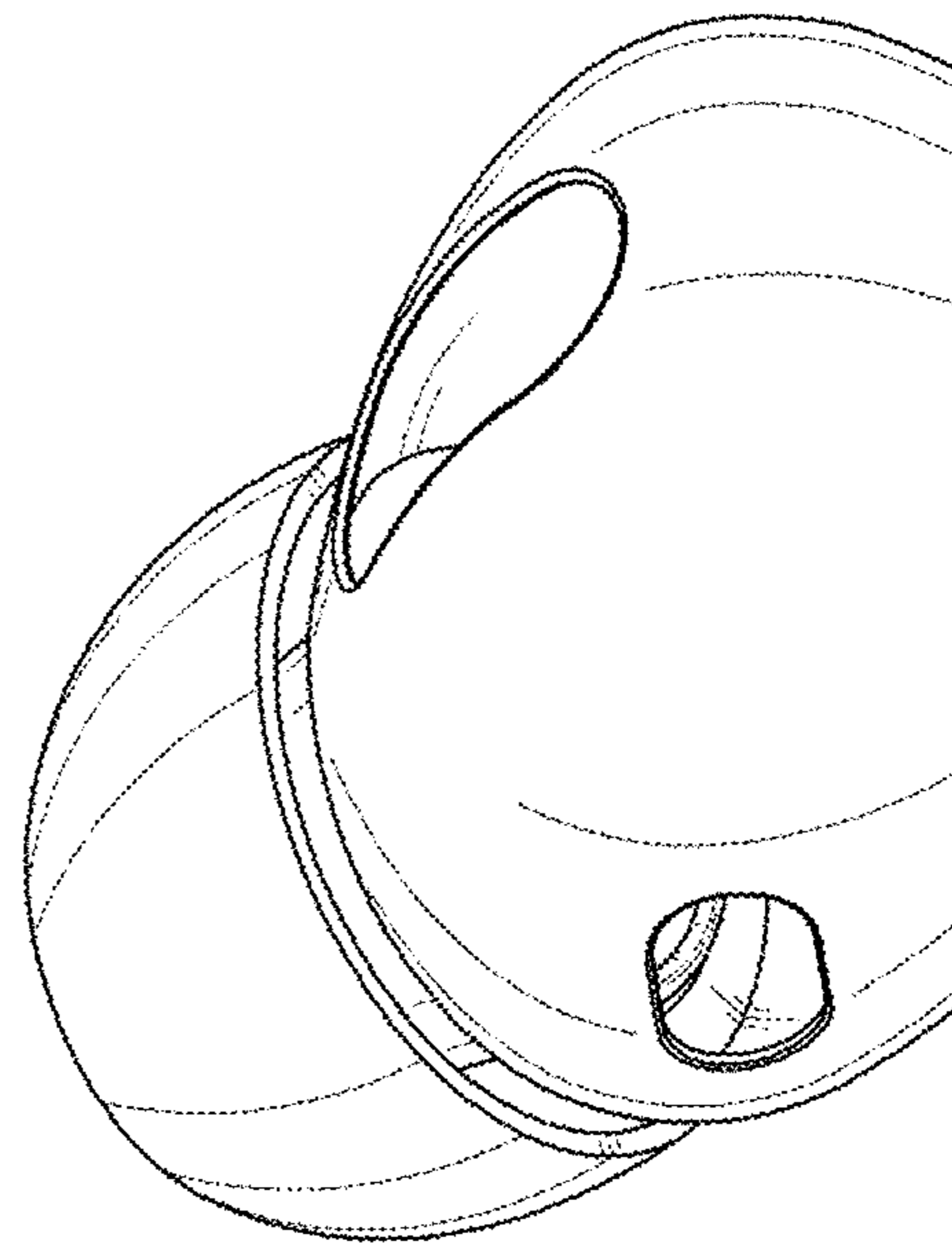


FIG. 6

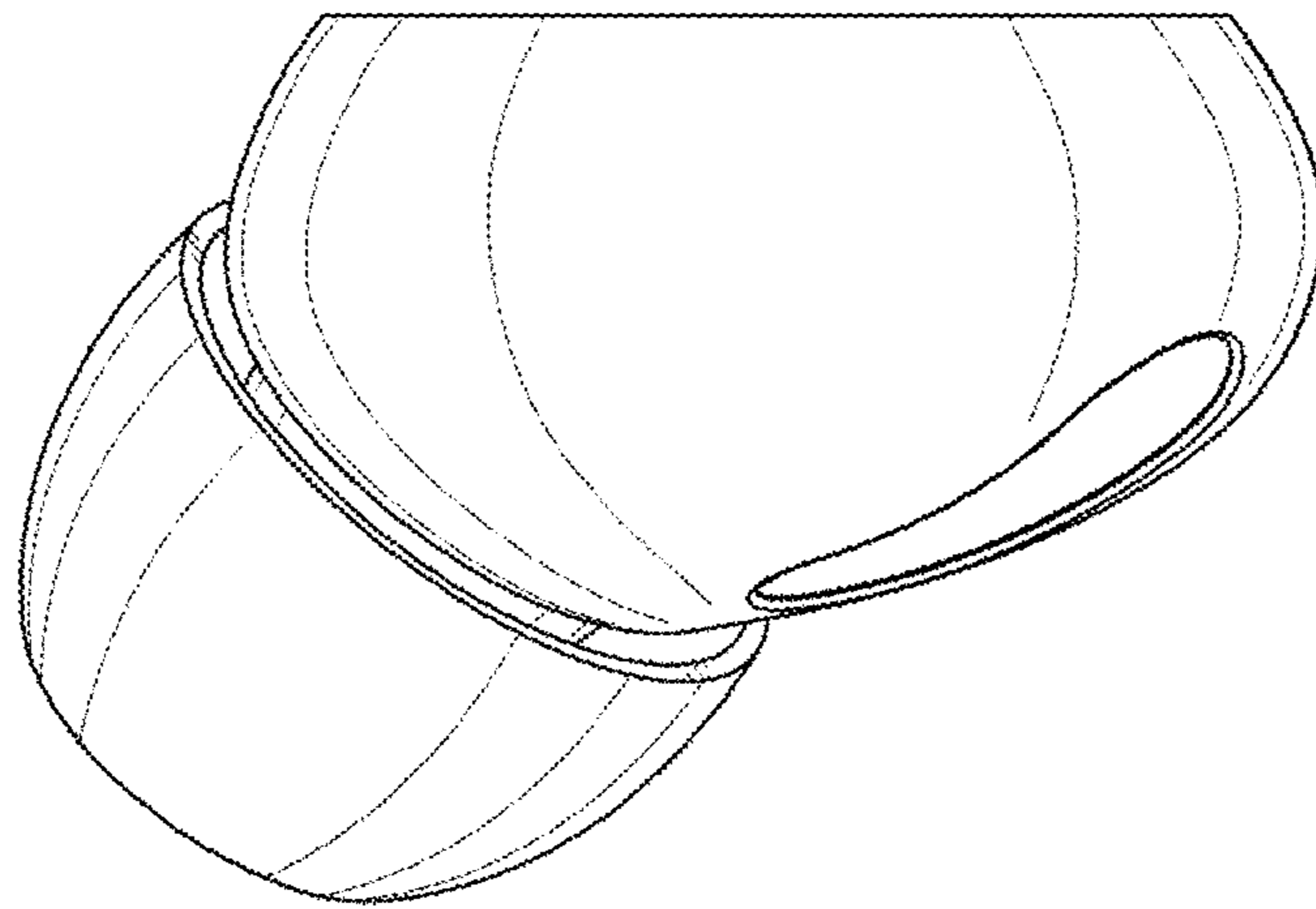


FIG. 7

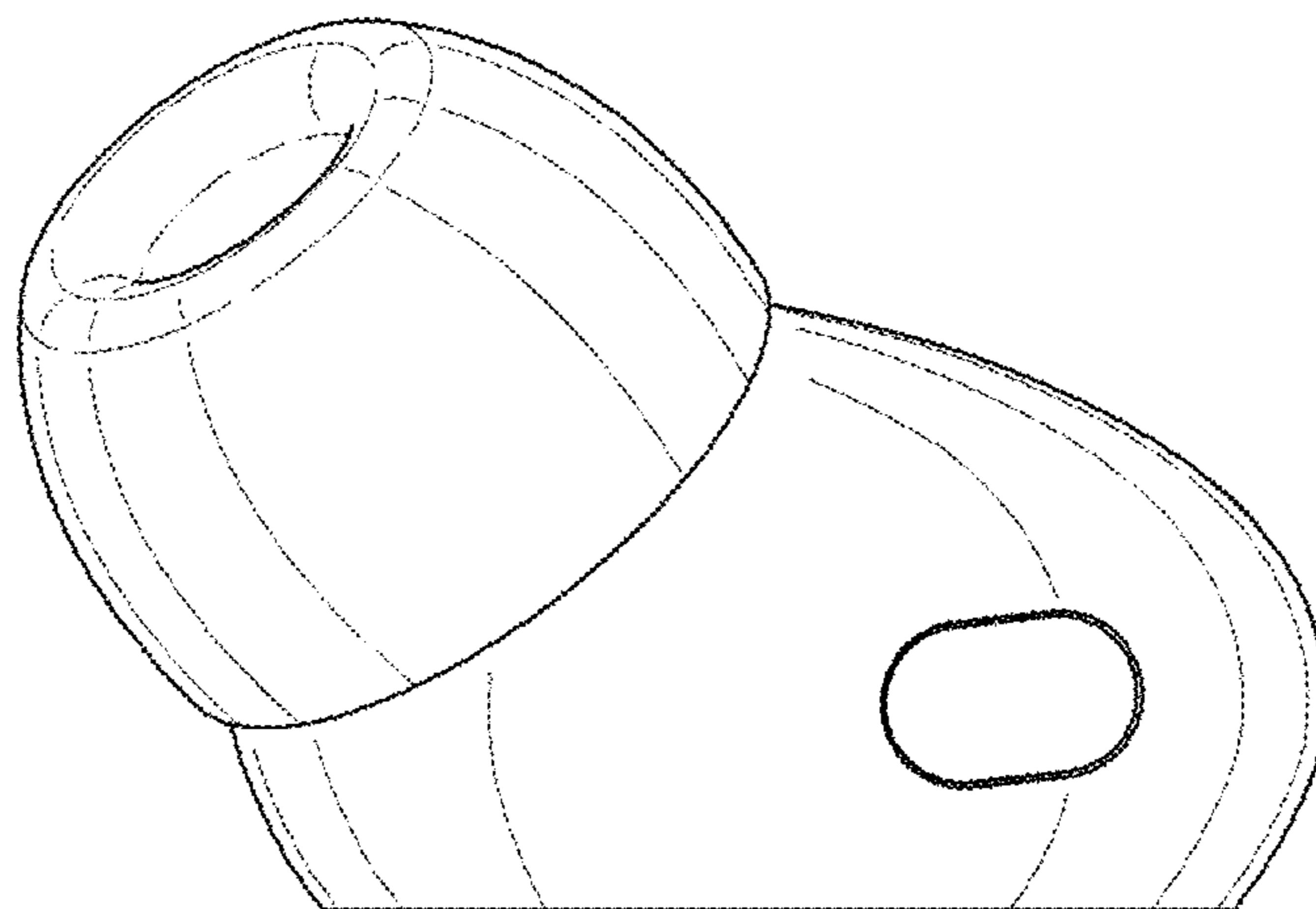


FIG. 8

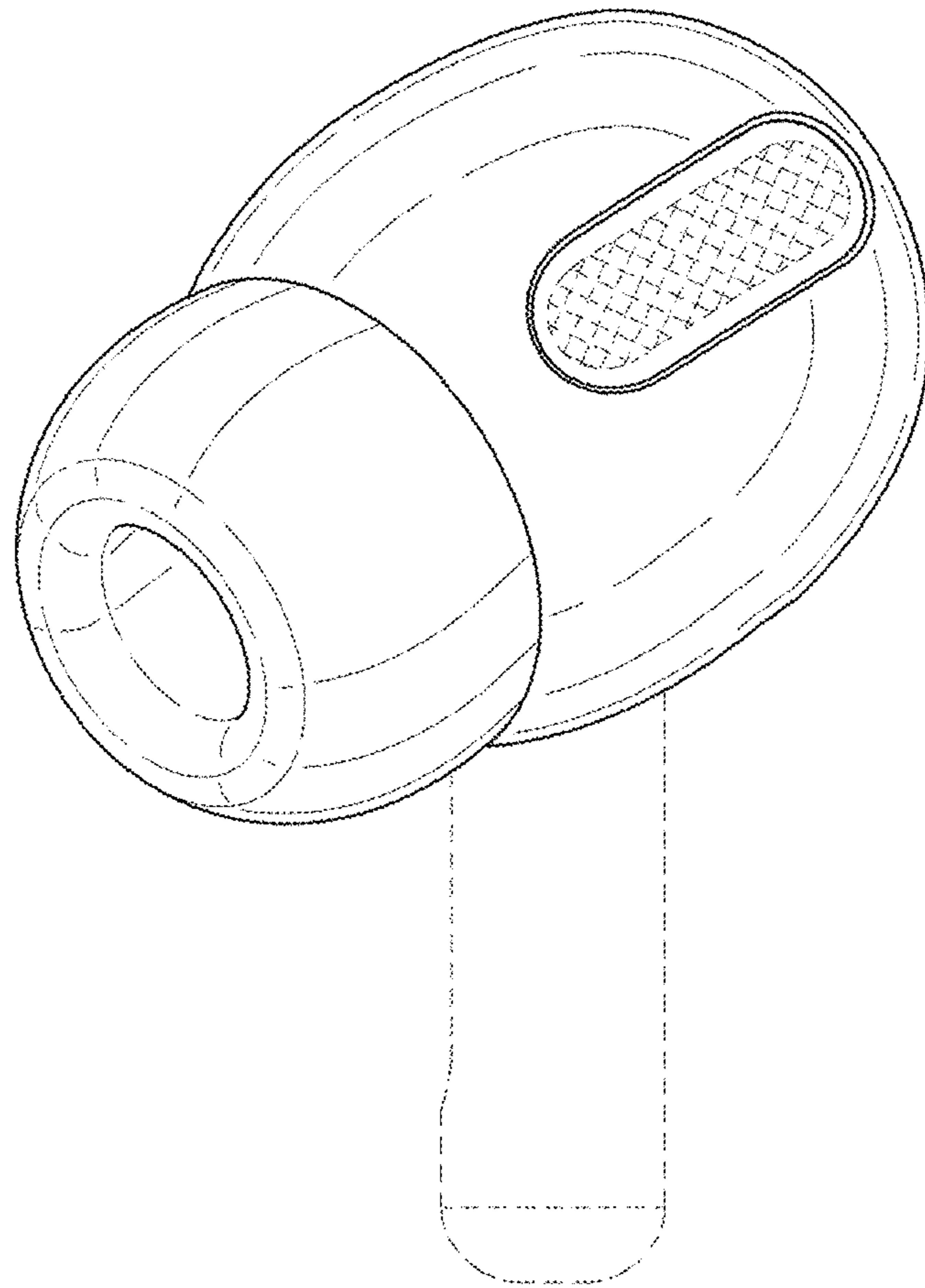


FIG. 9

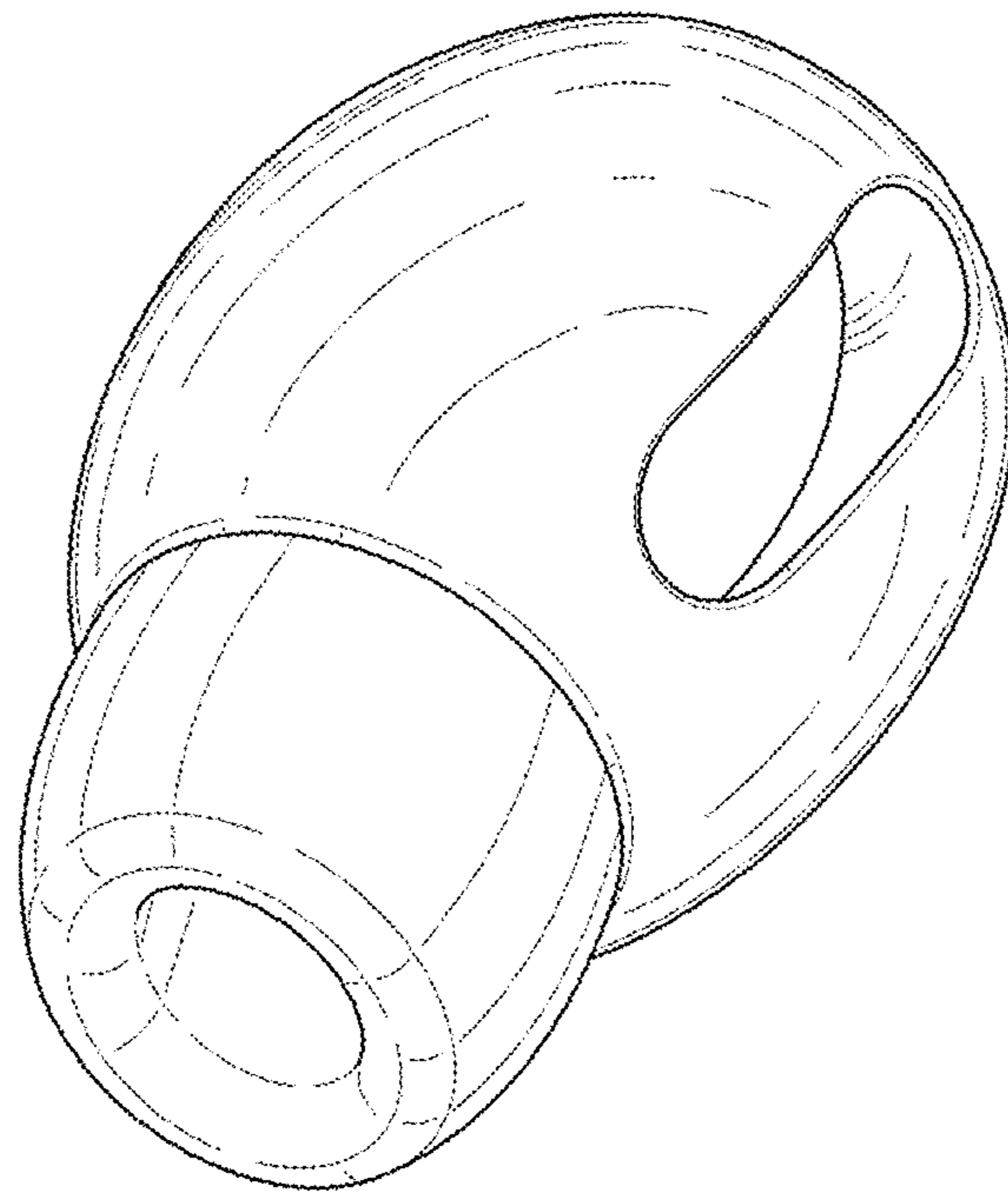


FIG. 10

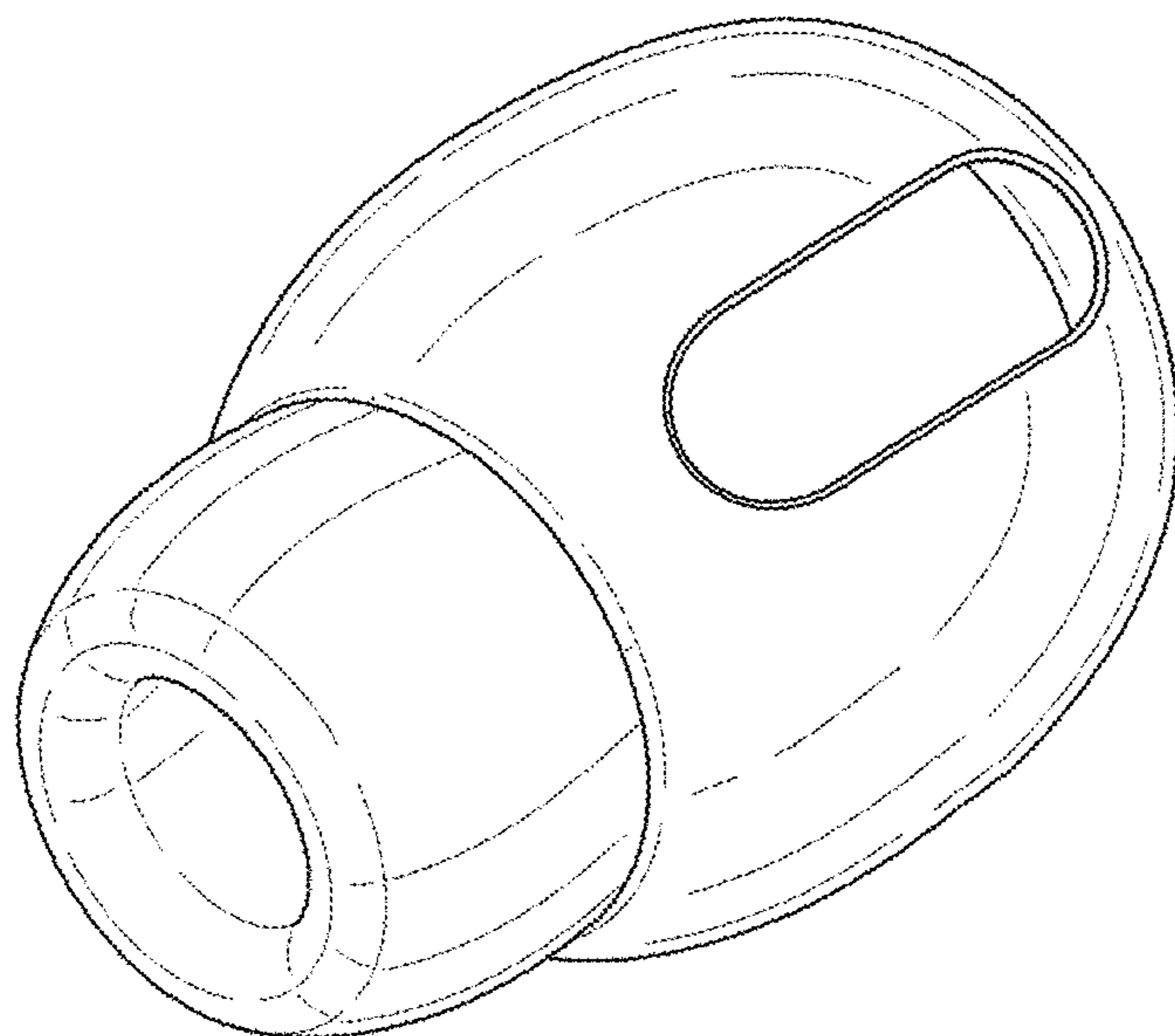


FIG. 11

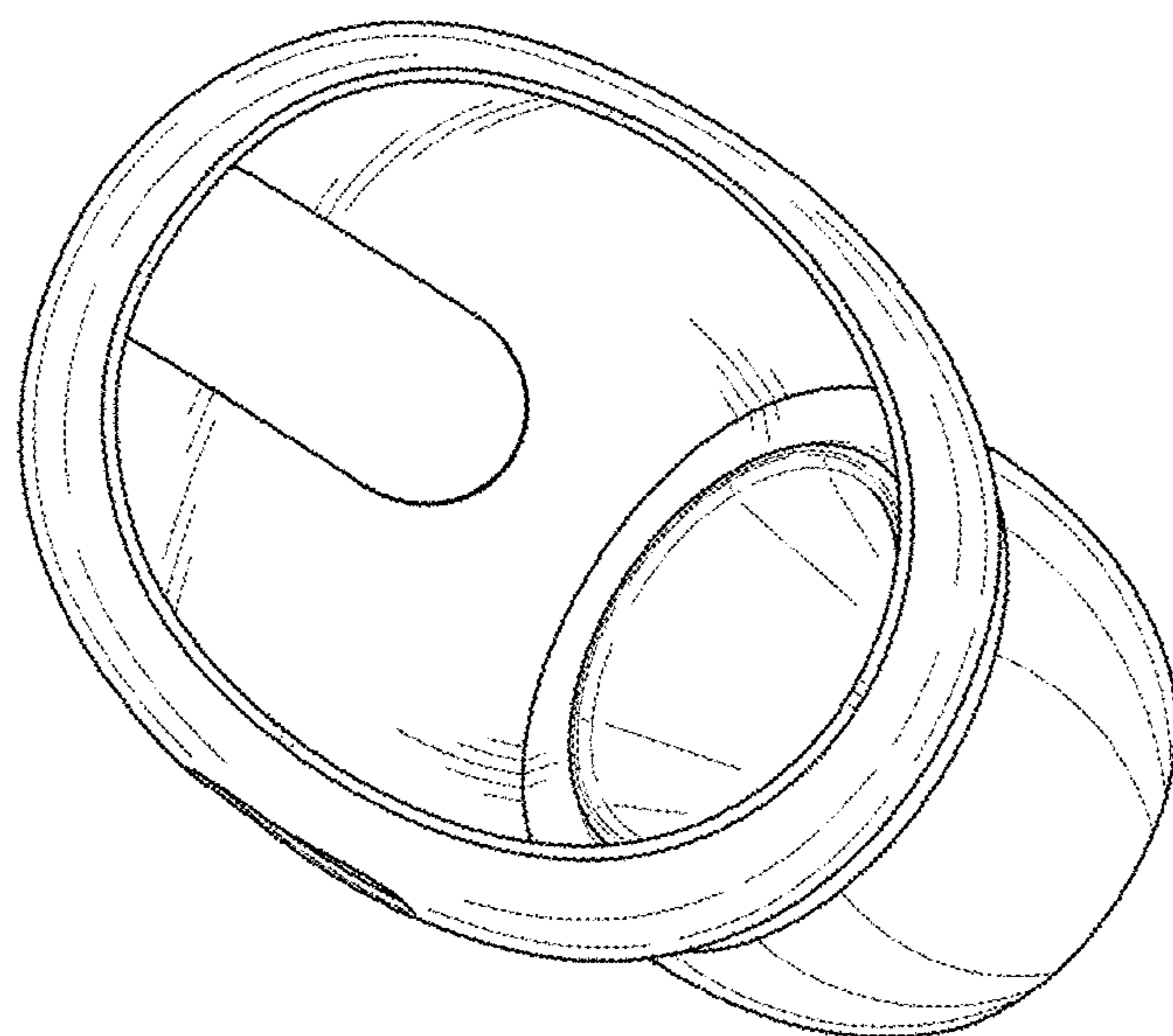


FIG. 12

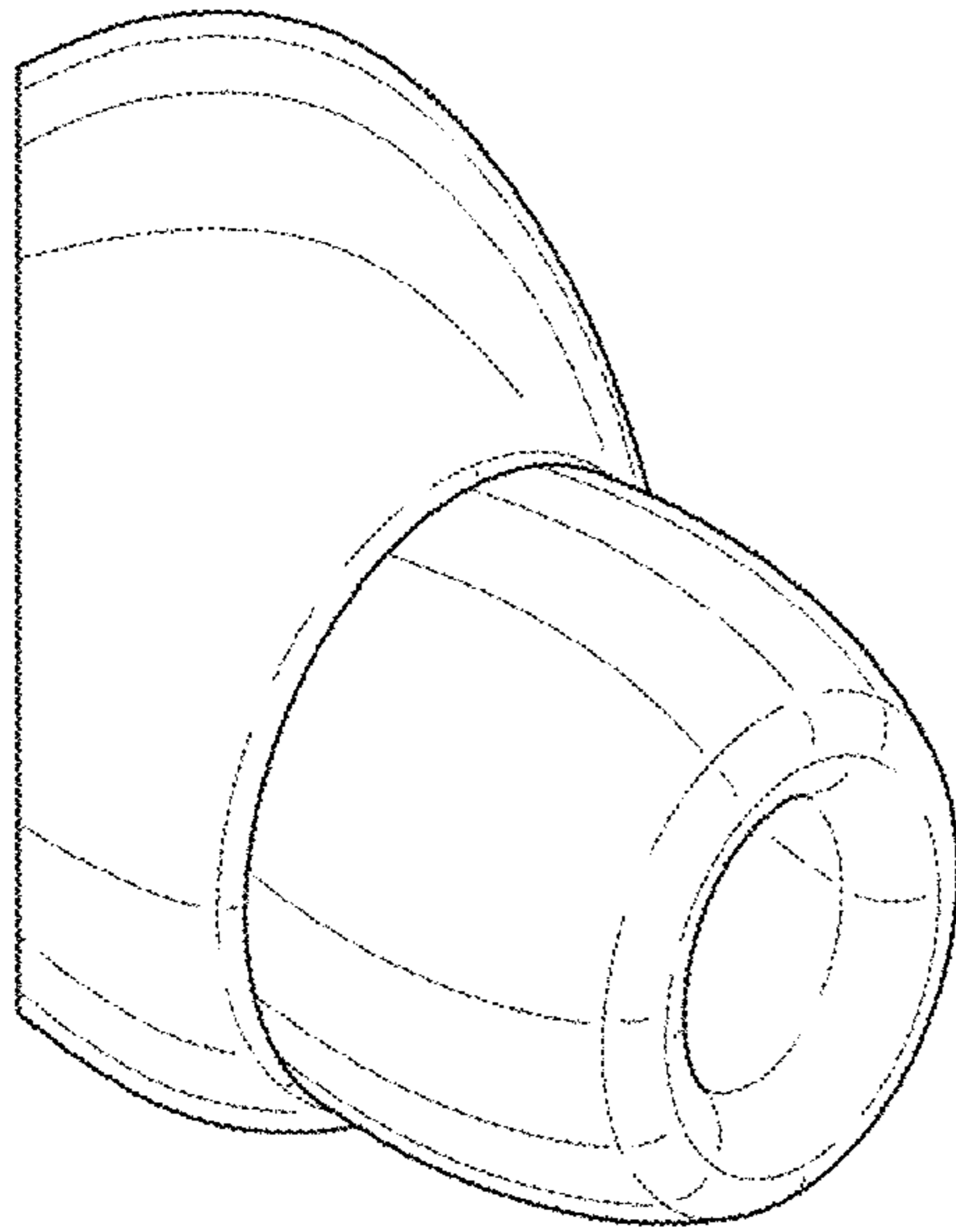


FIG. 13

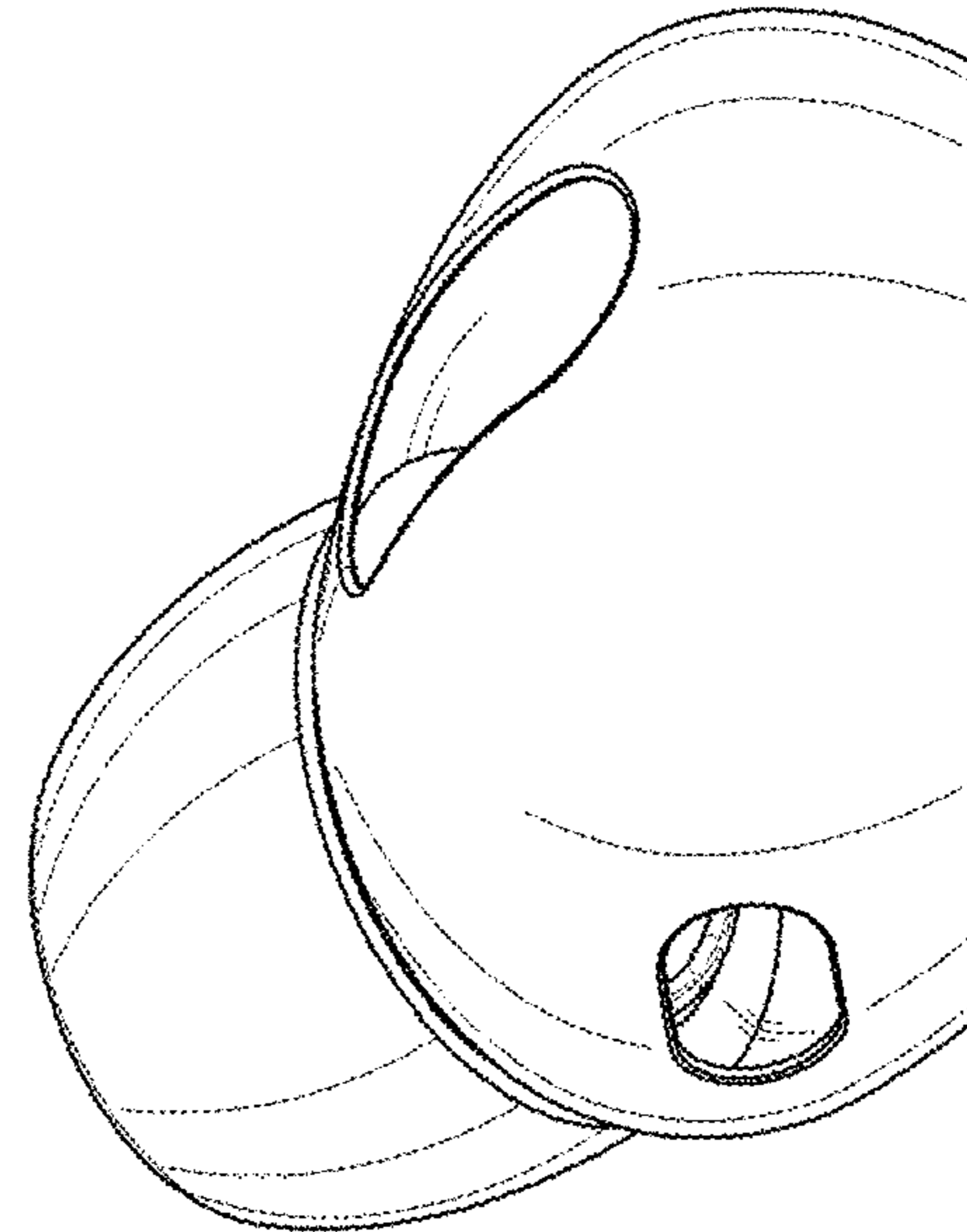


FIG. 14

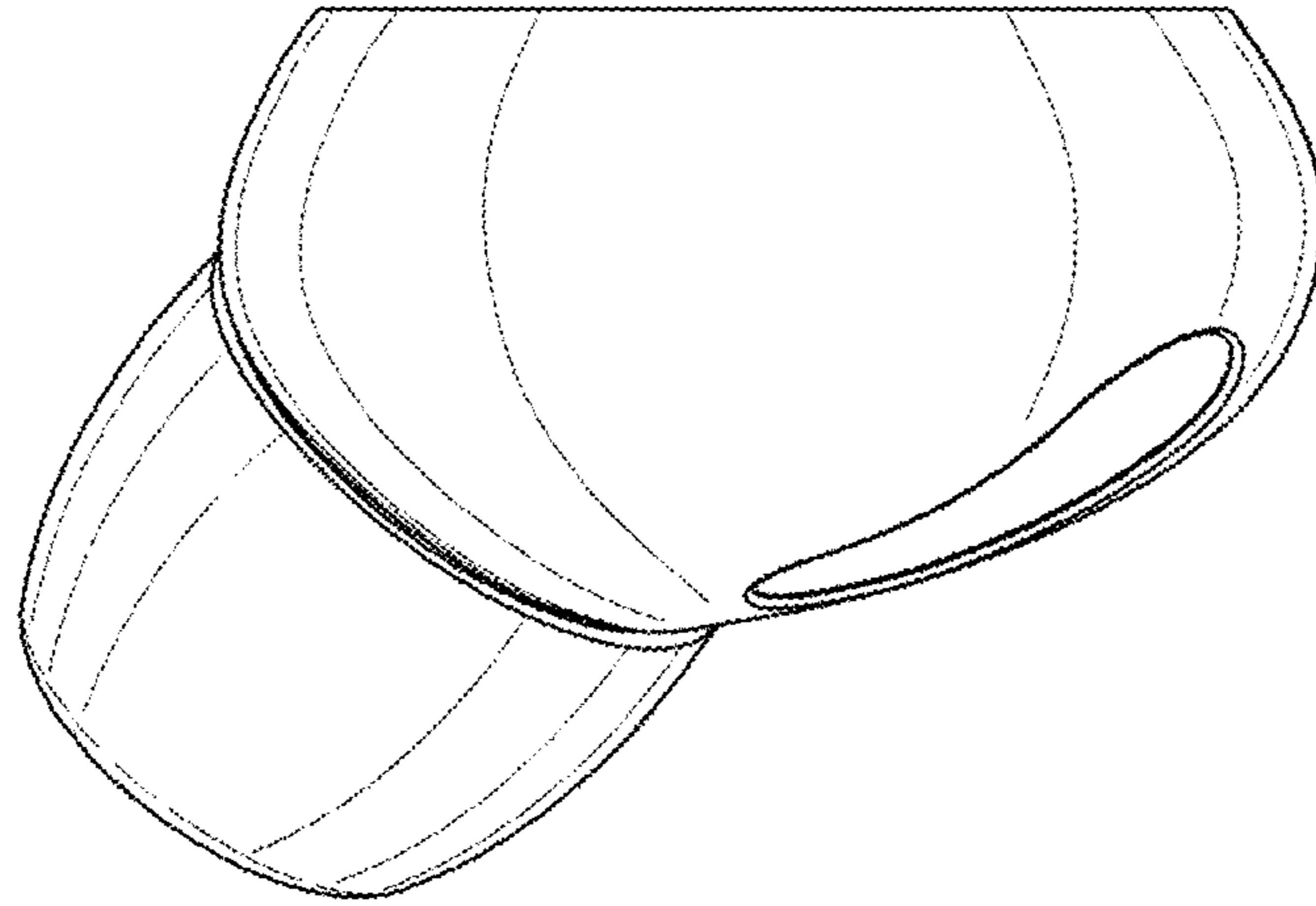


FIG. 15

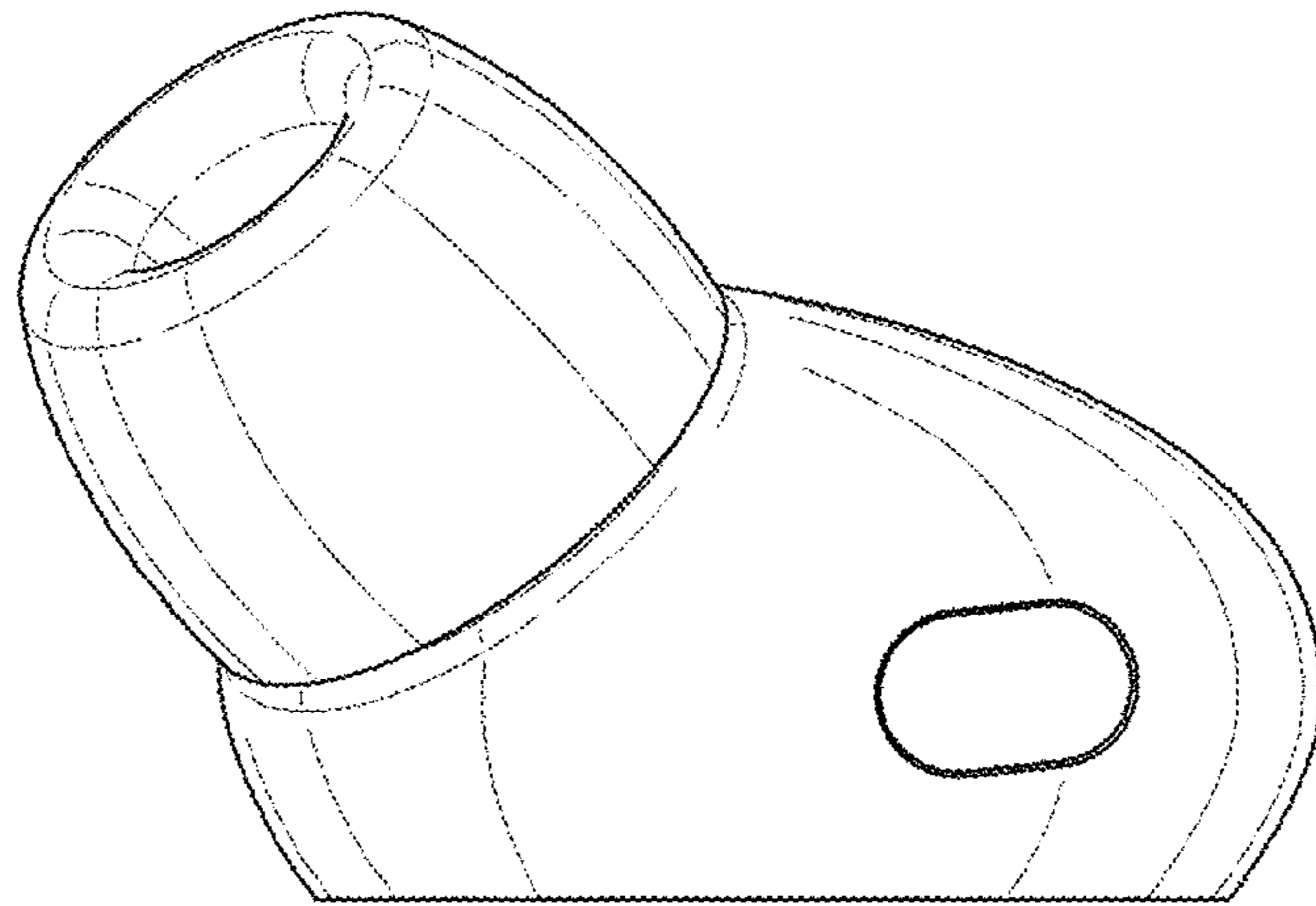


FIG. 16

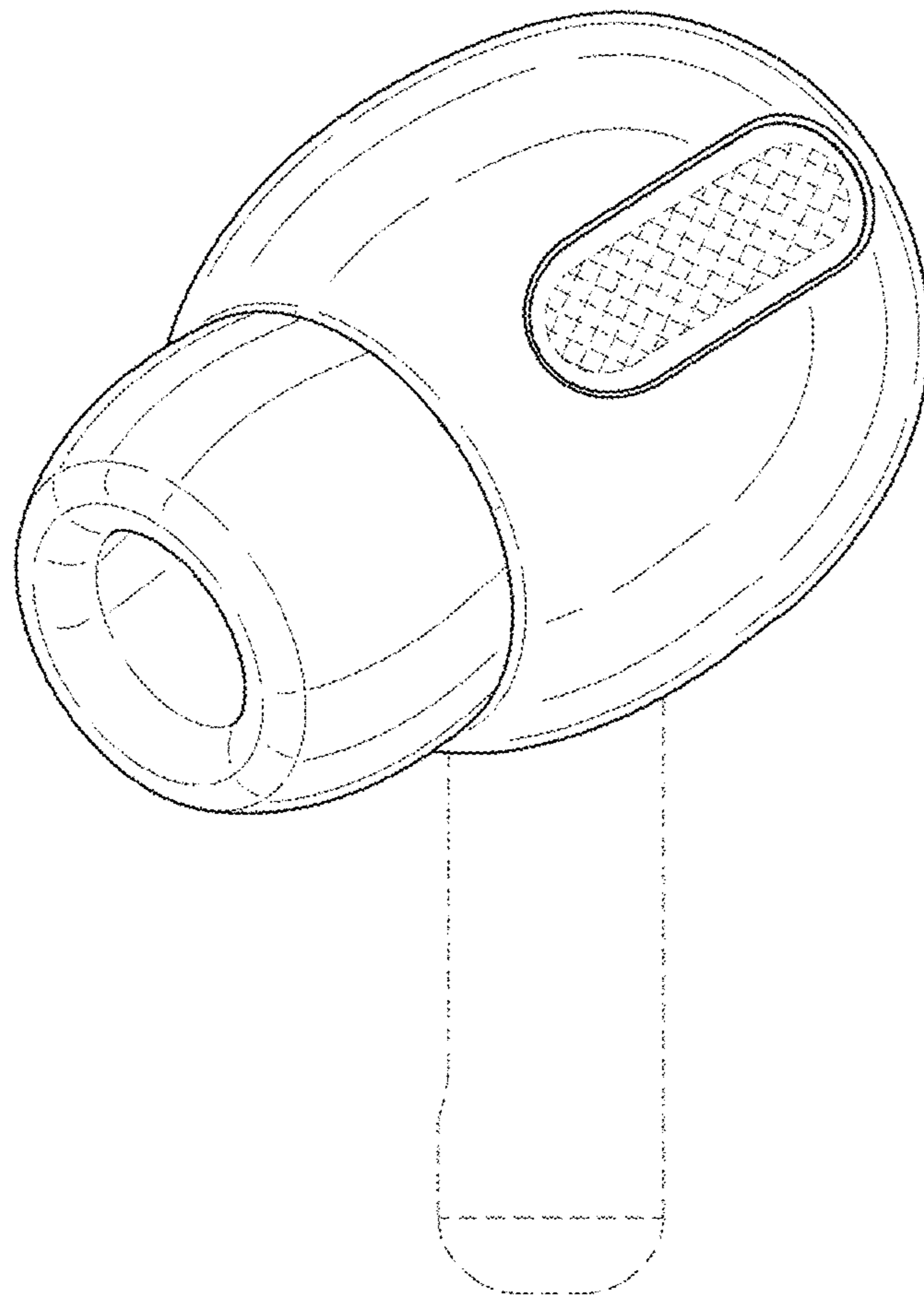


FIG. 17

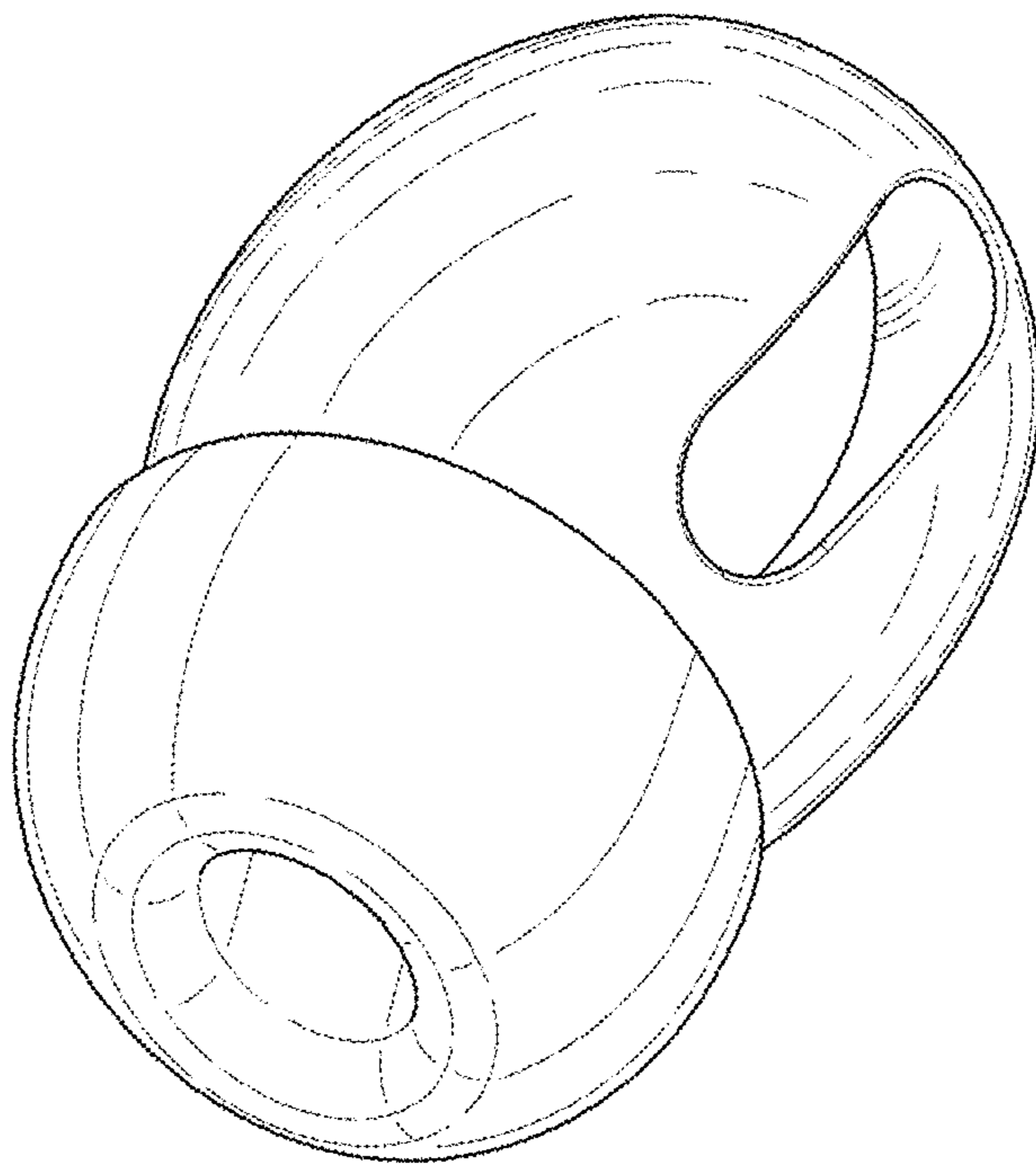


FIG. 18

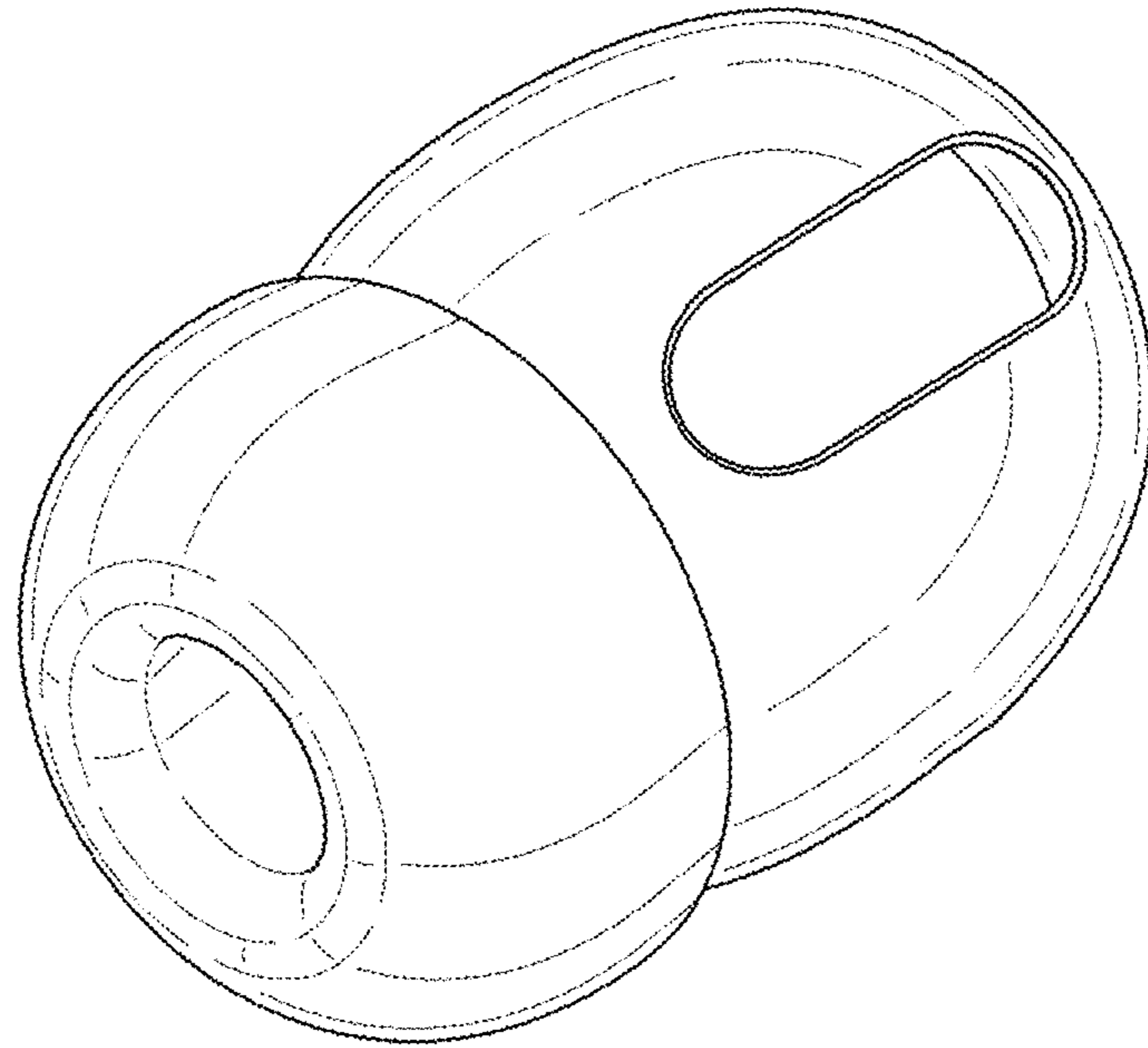


FIG. 19

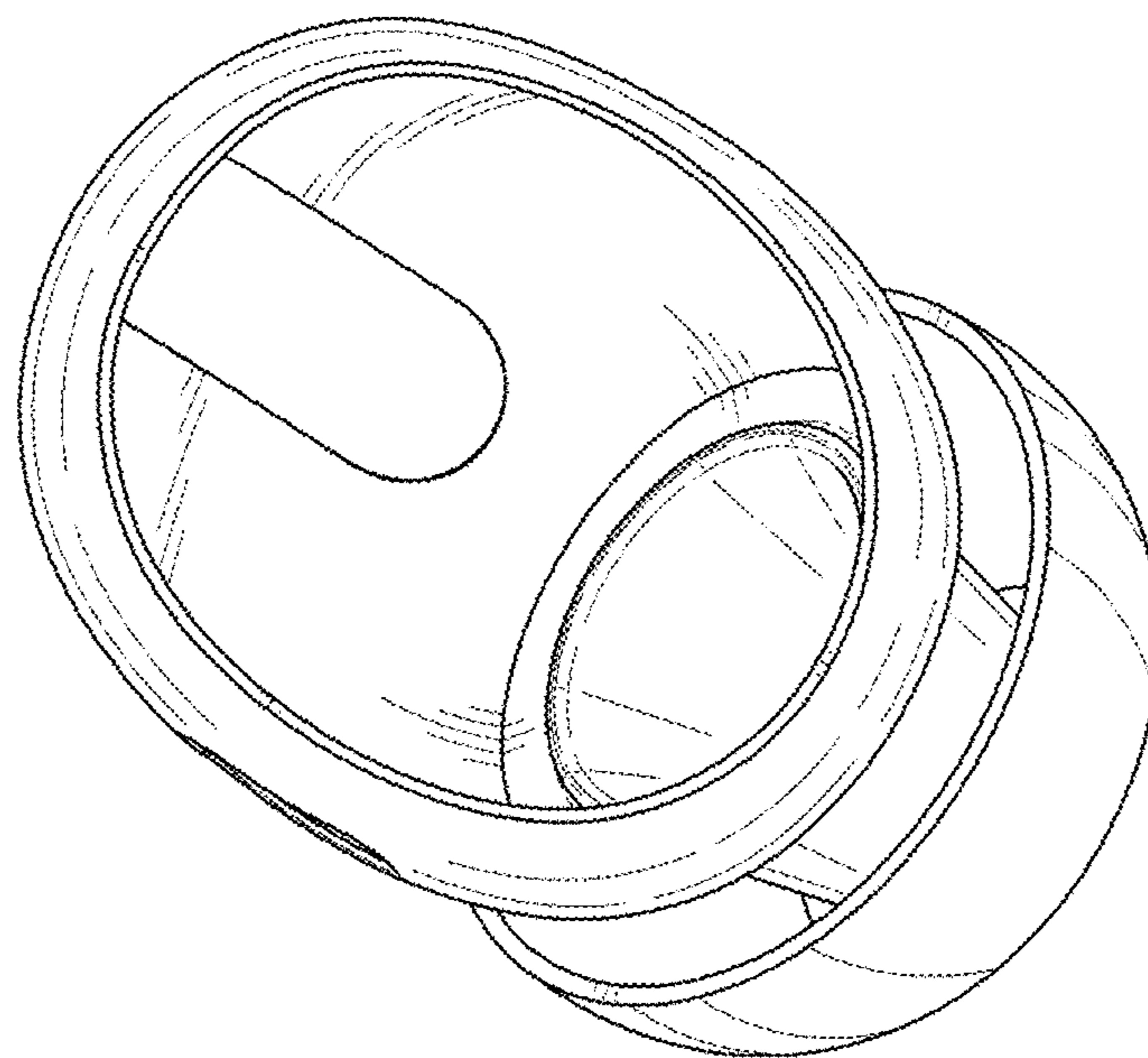


FIG. 20

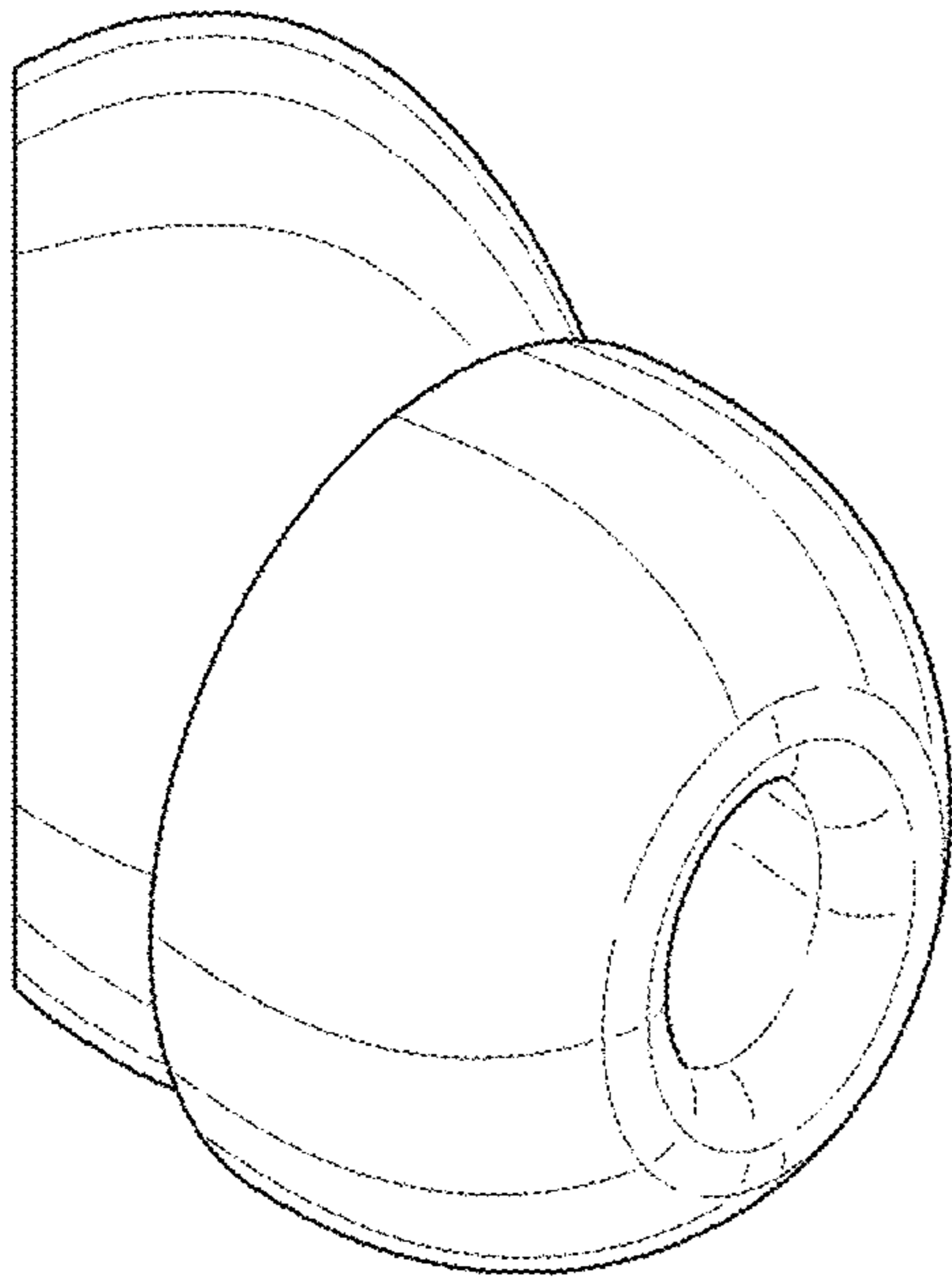


FIG. 21

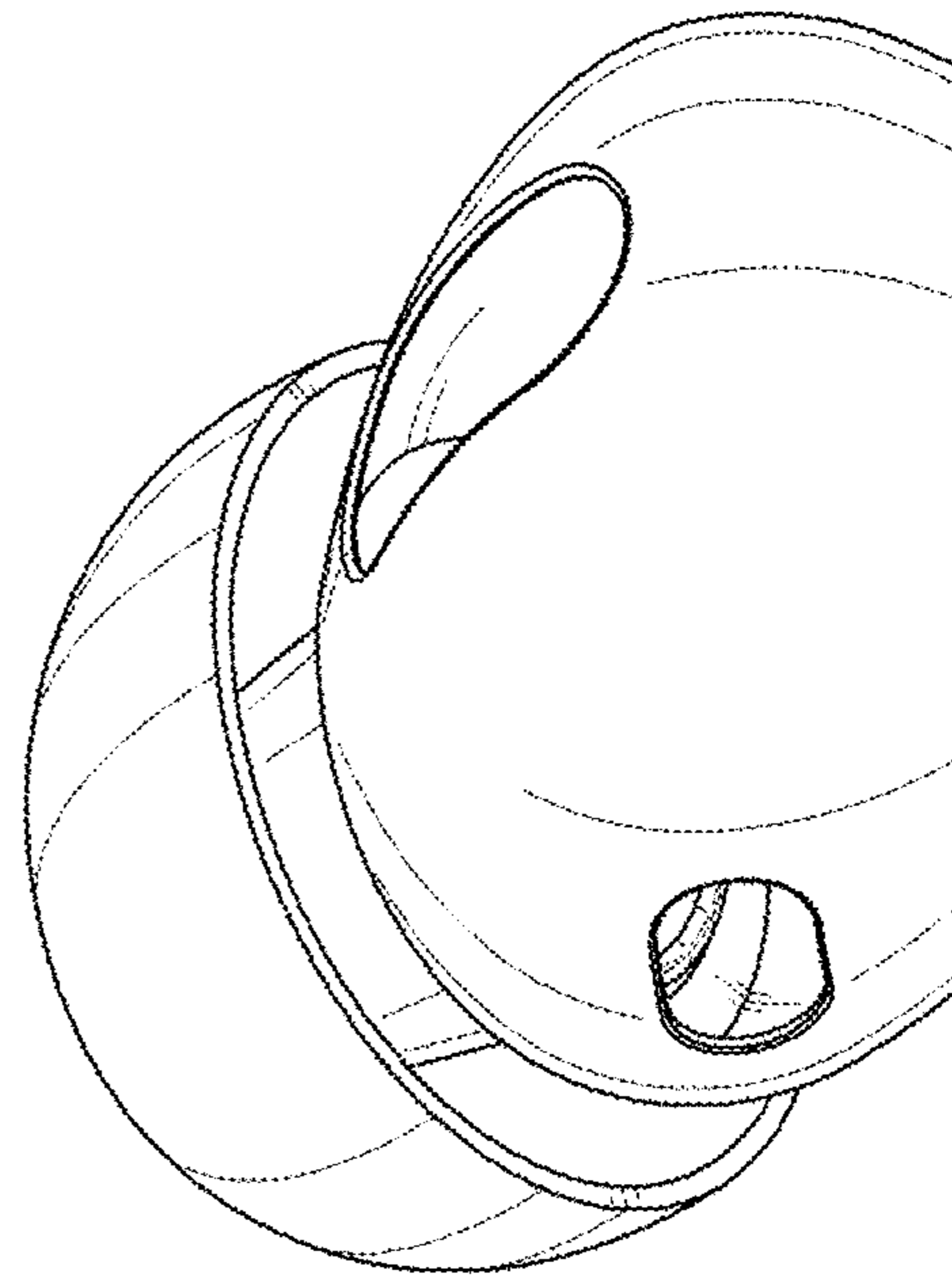


FIG. 22

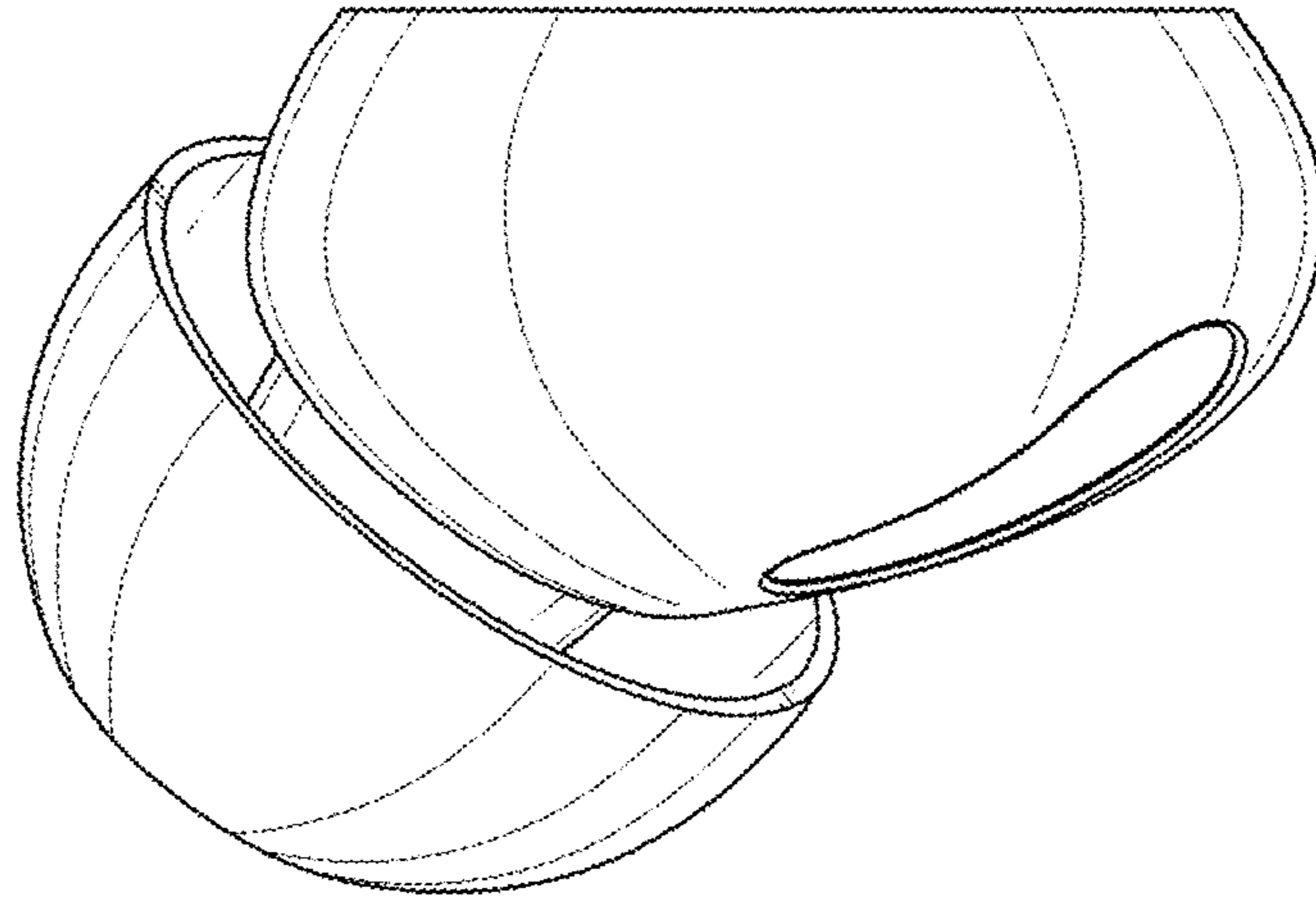


FIG. 23

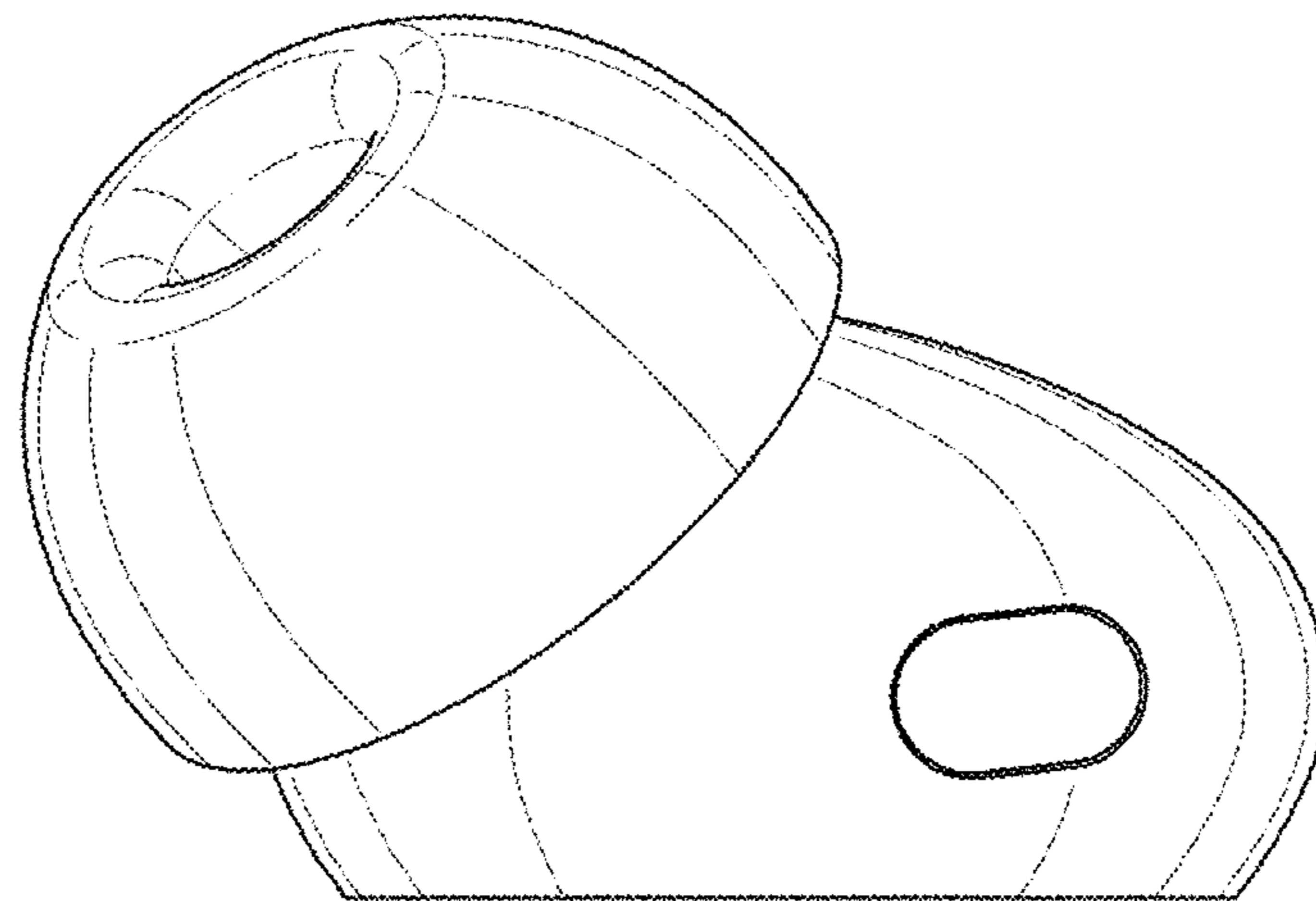


FIG. 24

