



US00D881163S

(12) **United States Design Patent**
Duddy et al.

(10) **Patent No.:** **US D881,163 S**
(45) **Date of Patent:** **** Apr. 14, 2020**

(54) **EARPHONE FIN**

FOREIGN PATENT DOCUMENTS

(71) Applicant: **Logitech Europe S.A.**, Lausanne (CH)

EM 006379152-0001 * 4/2019
WO D092711-002 * 8/2016

(72) Inventors: **Stephen Duddy**, Moama (AU); **Jeremy Saxton**, Draper, UT (US); **Guillaume Mathias**, Park City, UT (US)

Primary Examiner — Paula Allen Greene
(74) *Attorney, Agent, or Firm* — Patterson & Sheridan, LLP

(73) Assignee: **LOGITECH EUROPE S.A.**, Lausanne (CH)

(**) Term: **15 Years**

(57) **CLAIM**

(21) Appl. No.: **29/667,810**

The ornamental design of an earphone fin, as shown and described.

(22) Filed: **Oct. 25, 2018**

(51) **LOC (12) Cl.** **14-01**

(52) **U.S. Cl.**

USPC **D14/223**

(58) **Field of Classification Search**

USPC D14/223, 205; D24/174; 128/864, 865, 128/866; 181/129, 130, 135; 379/430, 379/431, 420.02, 420.03; 381/380, 381, 381/322, 327, 328, 384, 324, 370, 371, 381/374–376; 455/90.3, 575.1, 569.1
CPC H04R 25/00; H04R 25/02; H04R 1/10; H04R 1/1016; H04R 1/1066; H04R 5/033; H04R 5/0335; H04R 1/1058; H04R 1/1083; H04R 1/105

See application file for complete search history.

DESCRIPTION

FIG. 1 is a top back left side perspective view of an earphone fin according to our design;
FIG. 2 is a top front right side perspective view of the earphone fin shown in FIG. 1;
FIG. 3 is a bottom front left side perspective view of the earphone fin shown in FIG. 1;
FIG. 4 is a bottom back right side perspective view of the earphone fin shown in FIG. 1;
FIG. 5 is a right side view of the earphone fin shown in FIG. 1;
FIG. 6 is a front side view of the earphone fin shown in FIG. 1;
FIG. 7 is a left side view of the earphone fin shown in FIG. 1;
FIG. 8 is a back side view of the earphone fin shown in FIG. 1;
FIG. 9 is a top view of the earphone fin shown in FIG. 1; and, FIG. 10 is a bottom view of the earphone fin shown in FIG. 1.

The dashed lines shown in the various figures are provided for the purpose of illustrating unclaimed portions of the earphone fin and the dashed lines form no part of the claimed design.

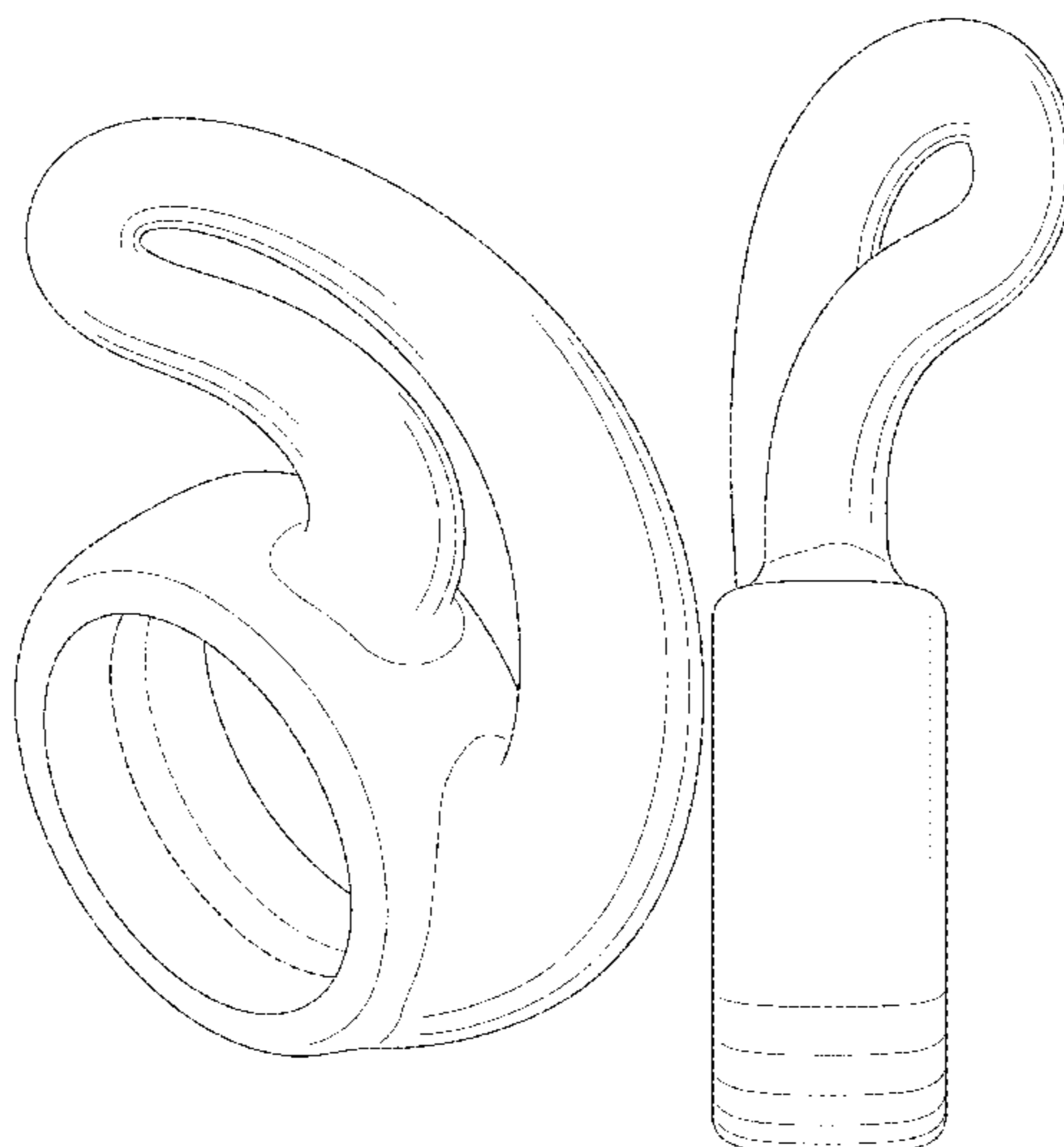
(56) **References Cited**

U.S. PATENT DOCUMENTS

D419,564 S * 1/2000 McDonald D14/223
D449,295 S * 10/2001 Smith D14/142
D469,755 S * 2/2003 Hlas D14/223
D470,122 S * 2/2003 Hlas D14/205
D470,123 S * 2/2003 Hlas D14/205
D470,129 S * 2/2003 Hlas D14/205
6,914,997 B2 * 7/2005 MacDonald H04R 1/10
381/381
D529,901 S * 10/2006 Ohta D14/223

(Continued)

1 Claim, 9 Drawing Sheets



(56)

References Cited

U.S. PATENT DOCUMENTS

7,346,180 B2 *	3/2008	Ham	H04R 1/105	381/370				
D573,137 S *	7/2008	Polito	D14/223					
D585,429 S *	1/2009	Dean	D14/223					
D621,817 S *	8/2010	Brickstad	D14/223					
D622,704 S *	8/2010	Fahrendorff	D14/223					
D628,188 S *	11/2010	Koch	D14/205					
D628,990 S *	12/2010	Pedersen	D14/223					
D635,559 S *	4/2011	Rye	D14/223					
7,949,127 B2 *	5/2011	Pedersen	H04R 1/1066	379/430				
D641,737 S *	7/2011	Krauss	D14/205					
D644,212 S *	8/2011	Quek	D14/223					
D645,458 S *	9/2011	Silvestri	H04R 1/1016	D14/223				
D647,514 S *	10/2011	Wikel	D14/223					
D655,693 S *	3/2012	Silvestri	D14/223					
D664,124 S *	7/2012	Smith	D14/223					
8,311,253 B2 *	11/2012	Silvestri	H04R 1/1075	181/129				
D672,044 S *	12/2012	Larsen	D24/174					
D684,950 S *	6/2013	Schaal	D14/205					
D684,953 S *	6/2013	Schaal	D14/205					
D686,191 S *	7/2013	Schaal	D14/205					
8,625,834 B2 *	1/2014	Smith	H04M 1/05	381/380				
8,737,669 B2 *	5/2014	Monahan	H04R 1/1016	381/380				
D714,260 S *	9/2014	Han	D14/223					
D716,770 S *	11/2014	Bonahoom	D14/223					
8,897,480 B2 *	11/2014	Tan	H04R 1/105	381/380				
D773,440 S *	12/2016	Pedersen	D14/223					
D773,441 S *	12/2016	Pedersen	D14/223					
D774,021 S *	12/2016	Pedersen	D14/223					
D784,961 S *	4/2017	Armstrong	D14/223					
D828,825 S *	9/2018	Samrelius	D14/223					
D835,077 S *	12/2018	Aoyagi	D14/223					
D843,352 S *	3/2019	Lee	D14/223					
D860,172 S *	9/2019	Yun	D14/223					
2008/0247561 A1 *	10/2008	Smith	H04R 1/1075	381/72				
2009/0141923 A1 *	6/2009	Smith	H04R 1/1016	381/371				
2012/0039501 A1 *	2/2012	Silvestri	H04R 1/105	381/380				
2018/0310089 A1 *	10/2018	Yun	H04R 1/105					

* cited by examiner

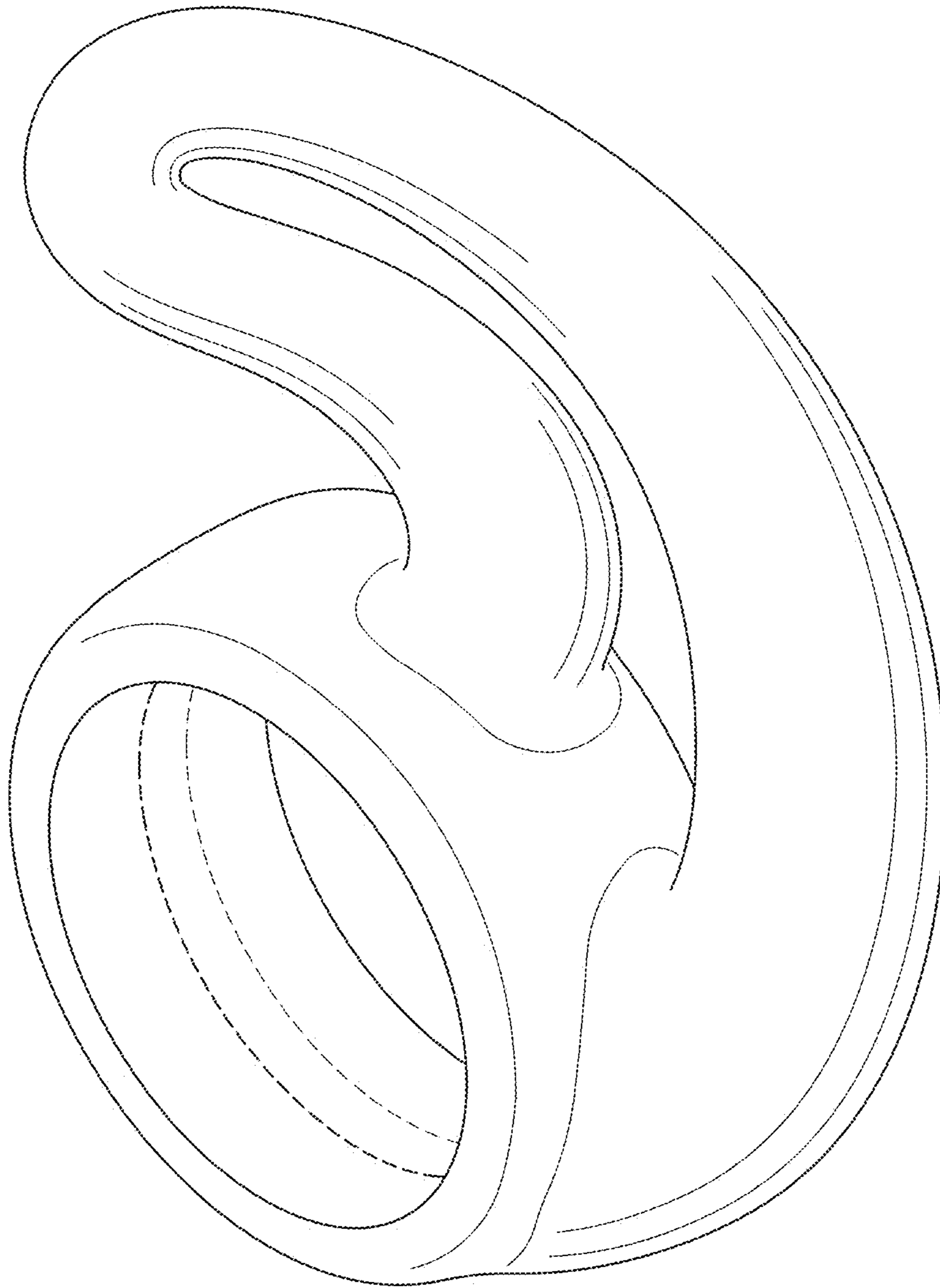


Fig. 1

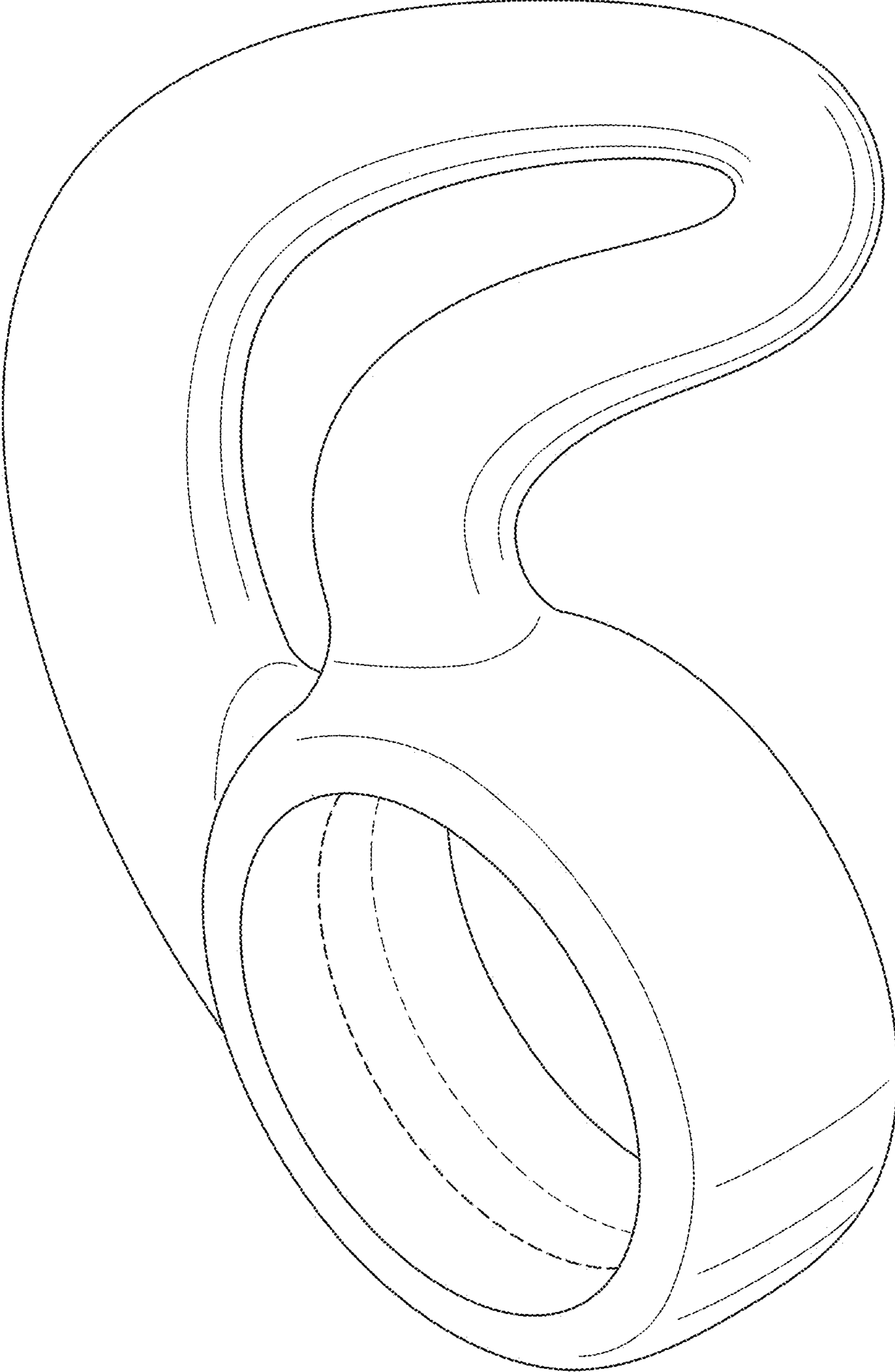


Fig. 2

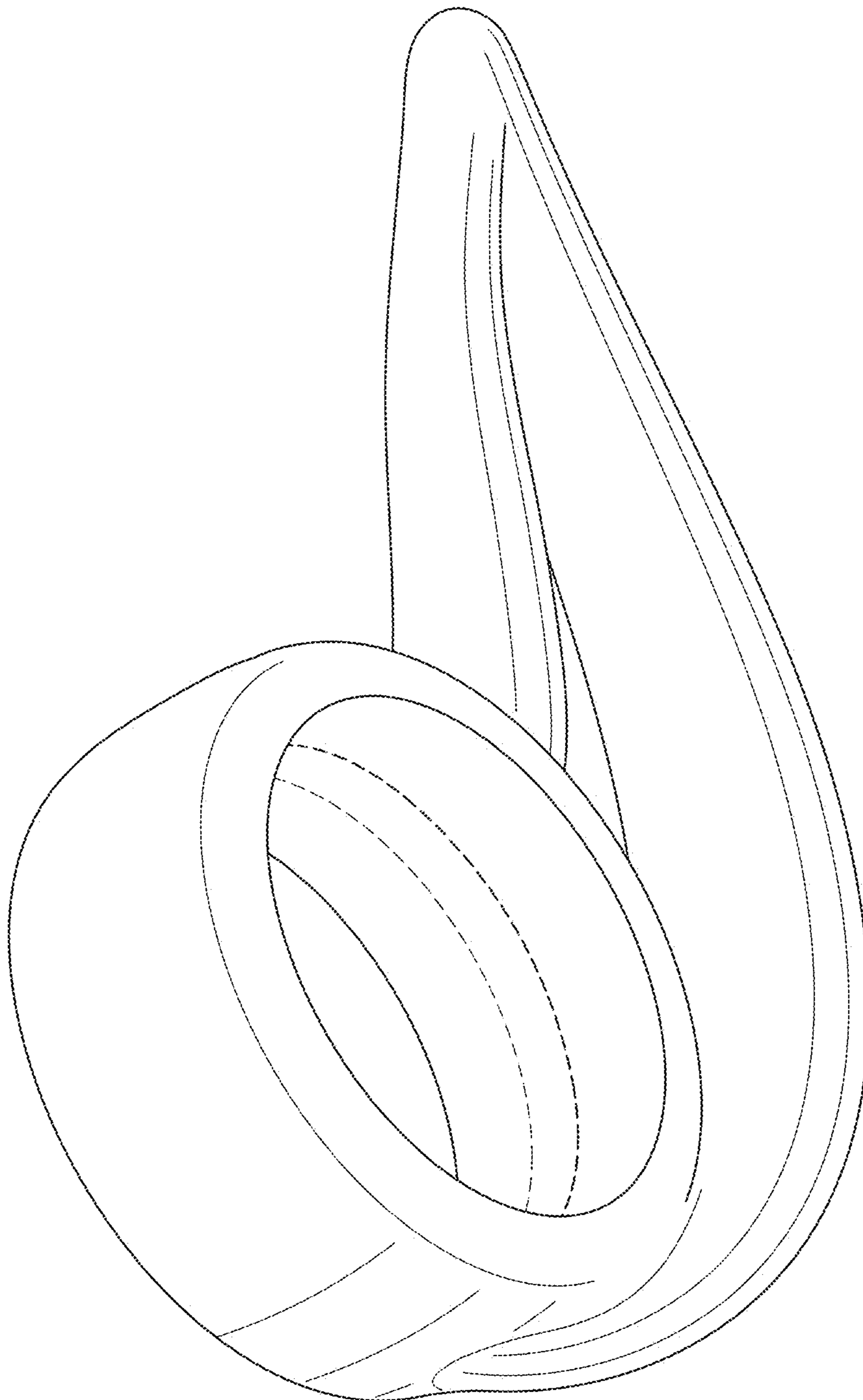


Fig. 3

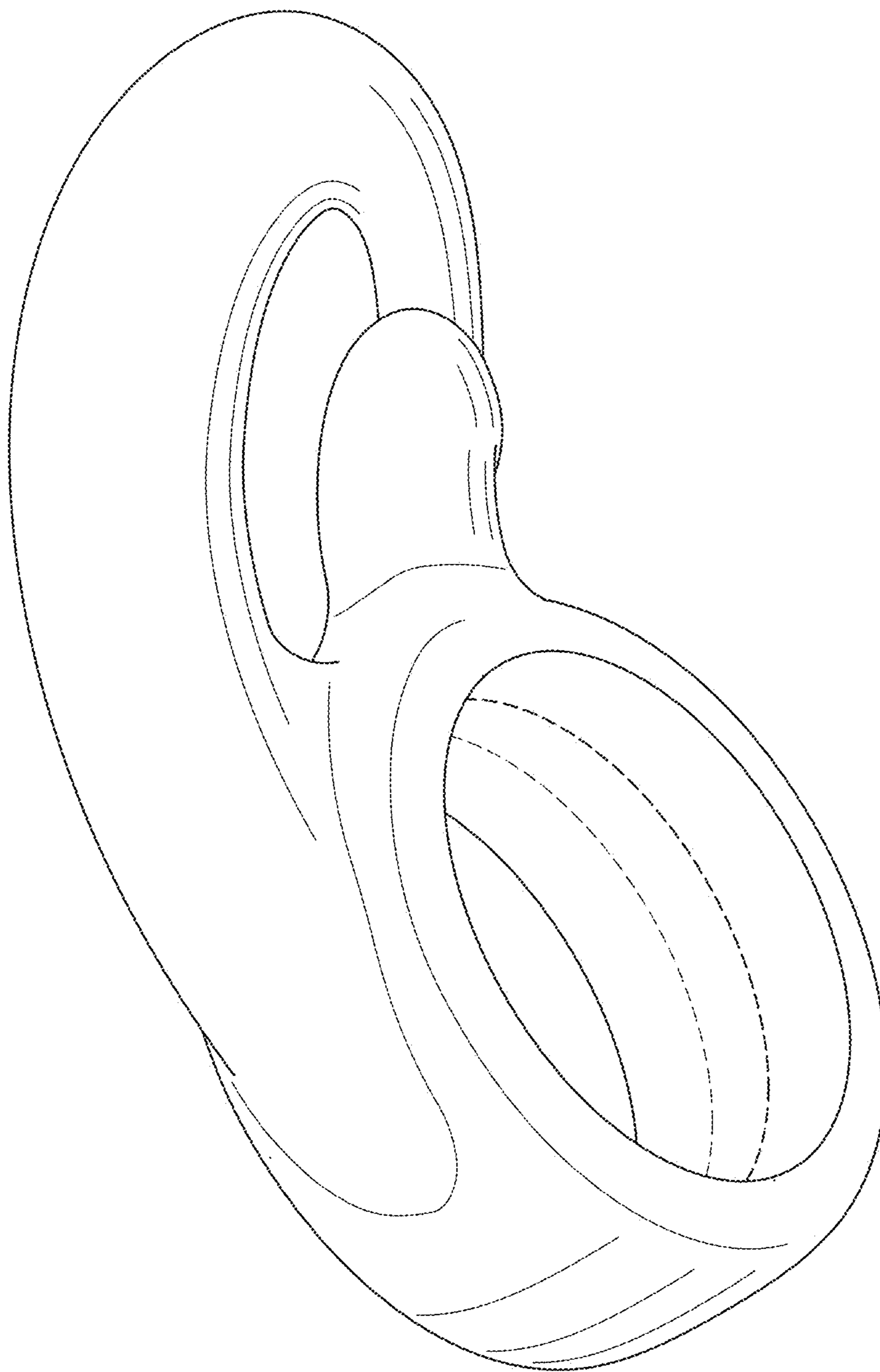


Fig. 4

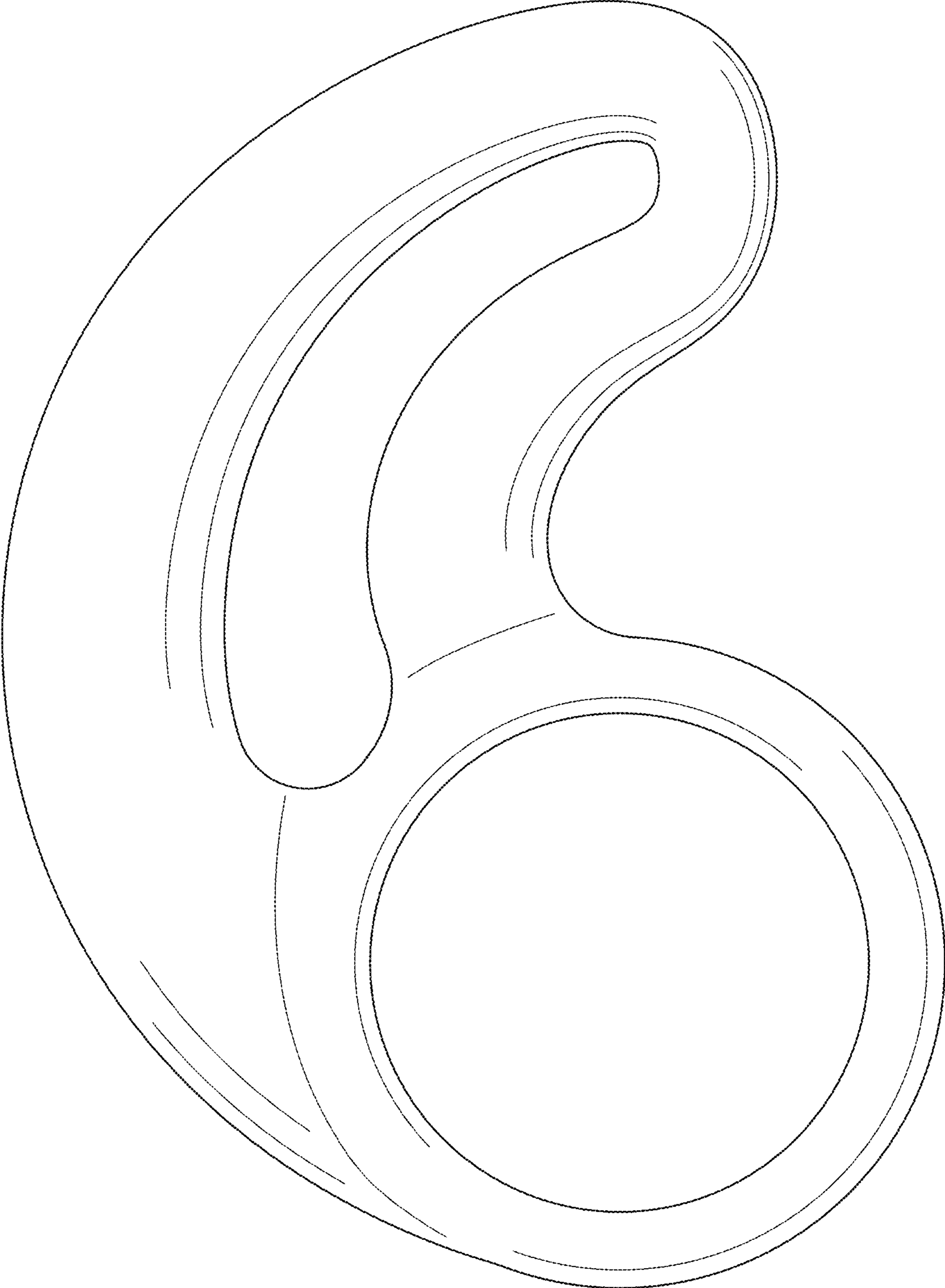


Fig. 5

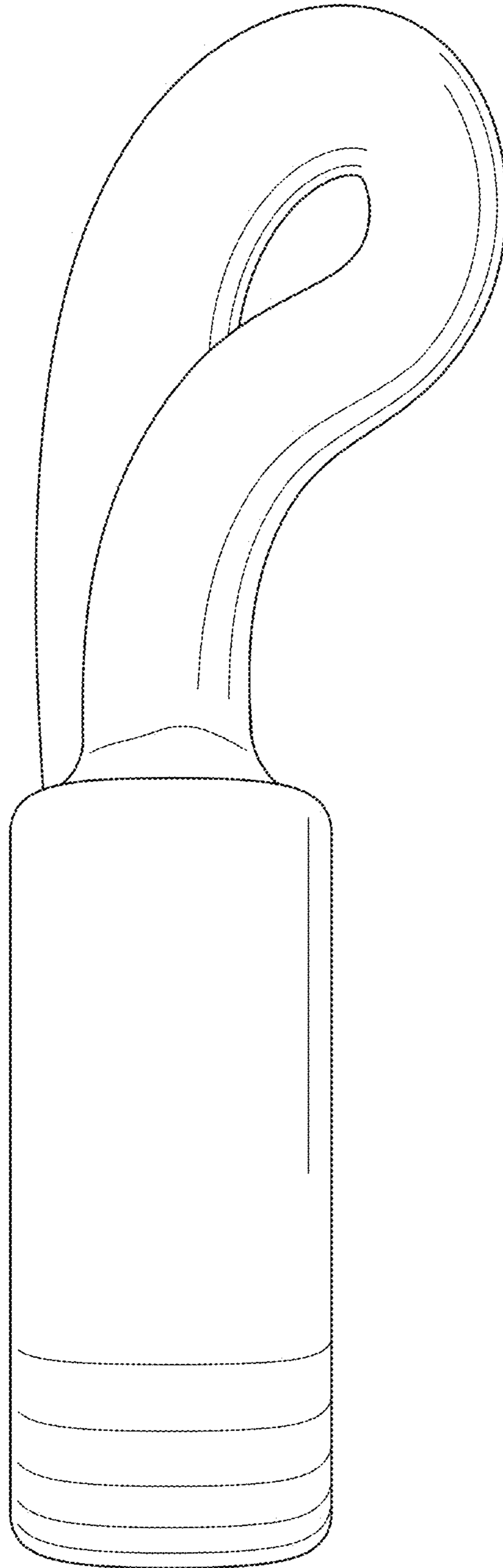


Fig. 6

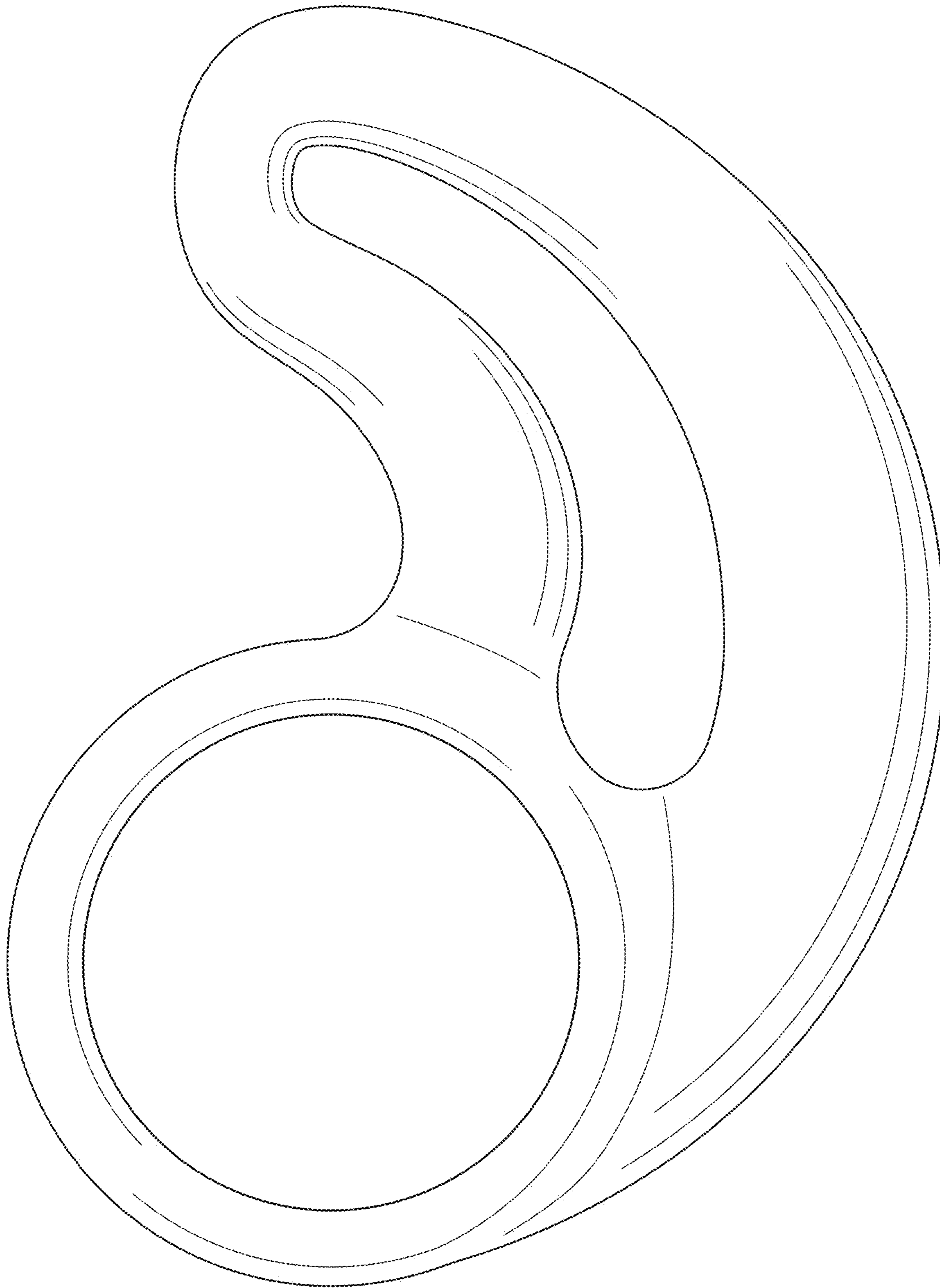


Fig. 7

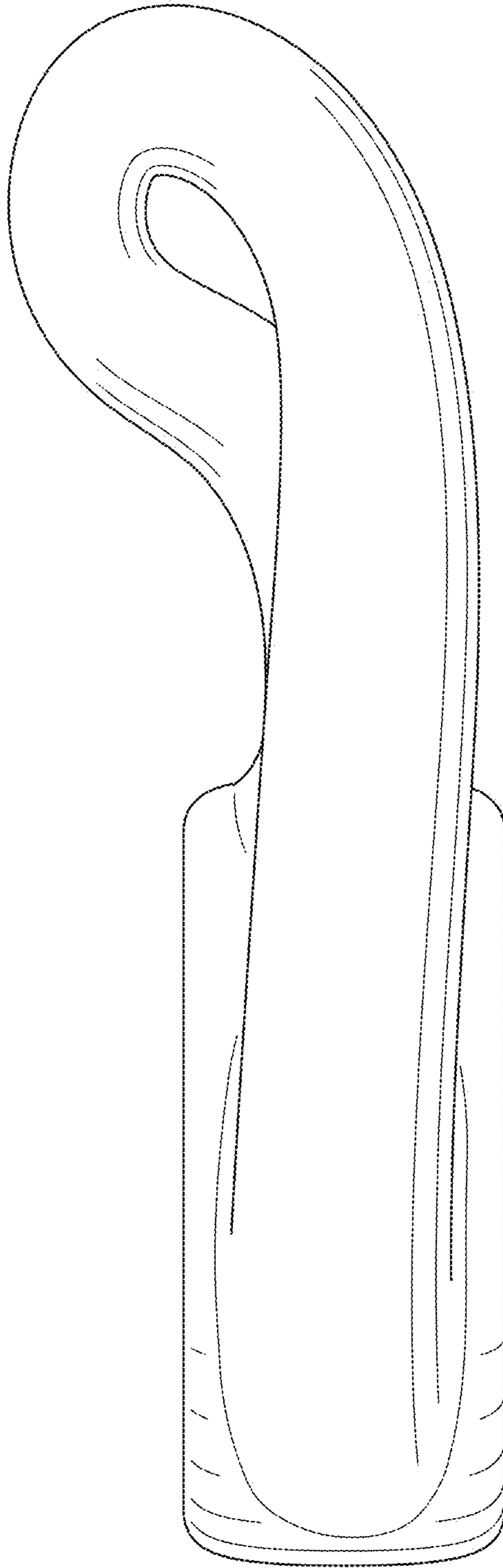


Fig. 8

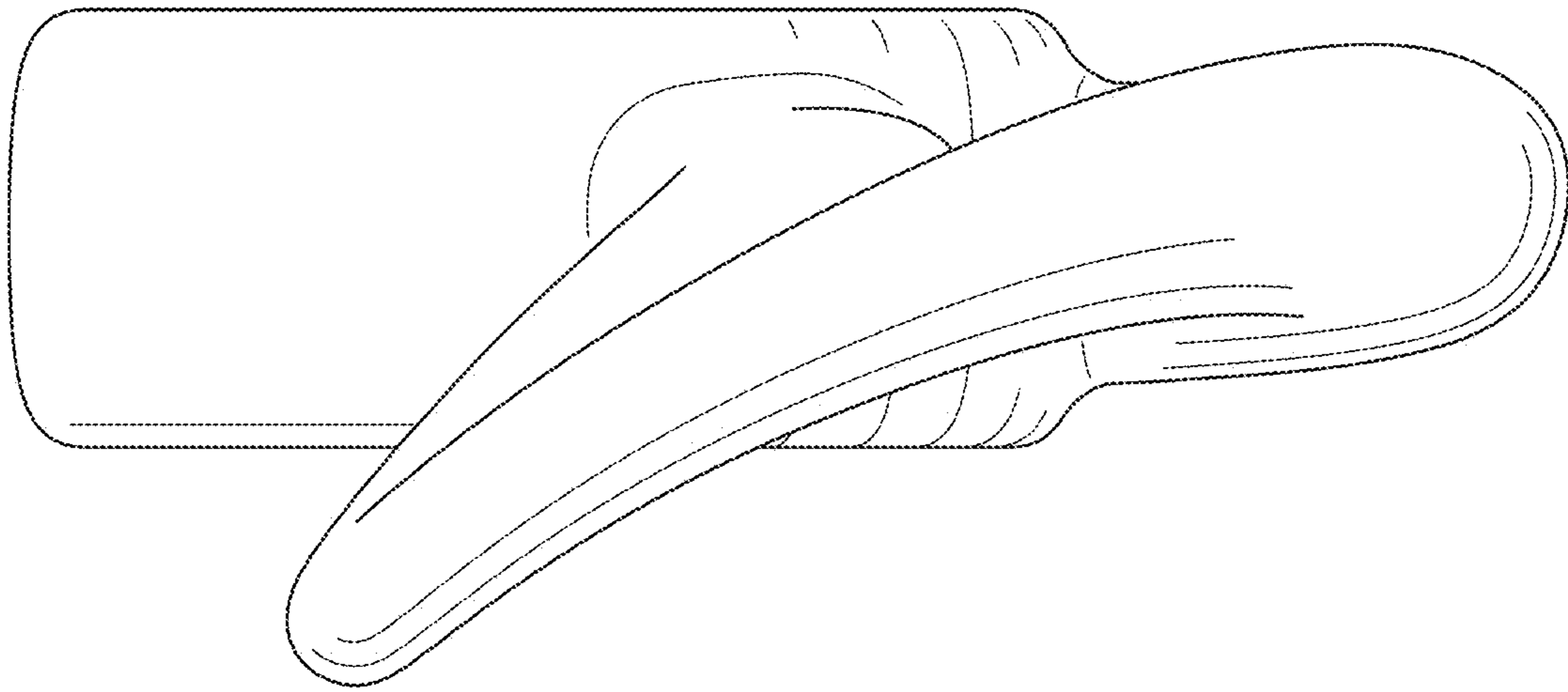


Fig. 9

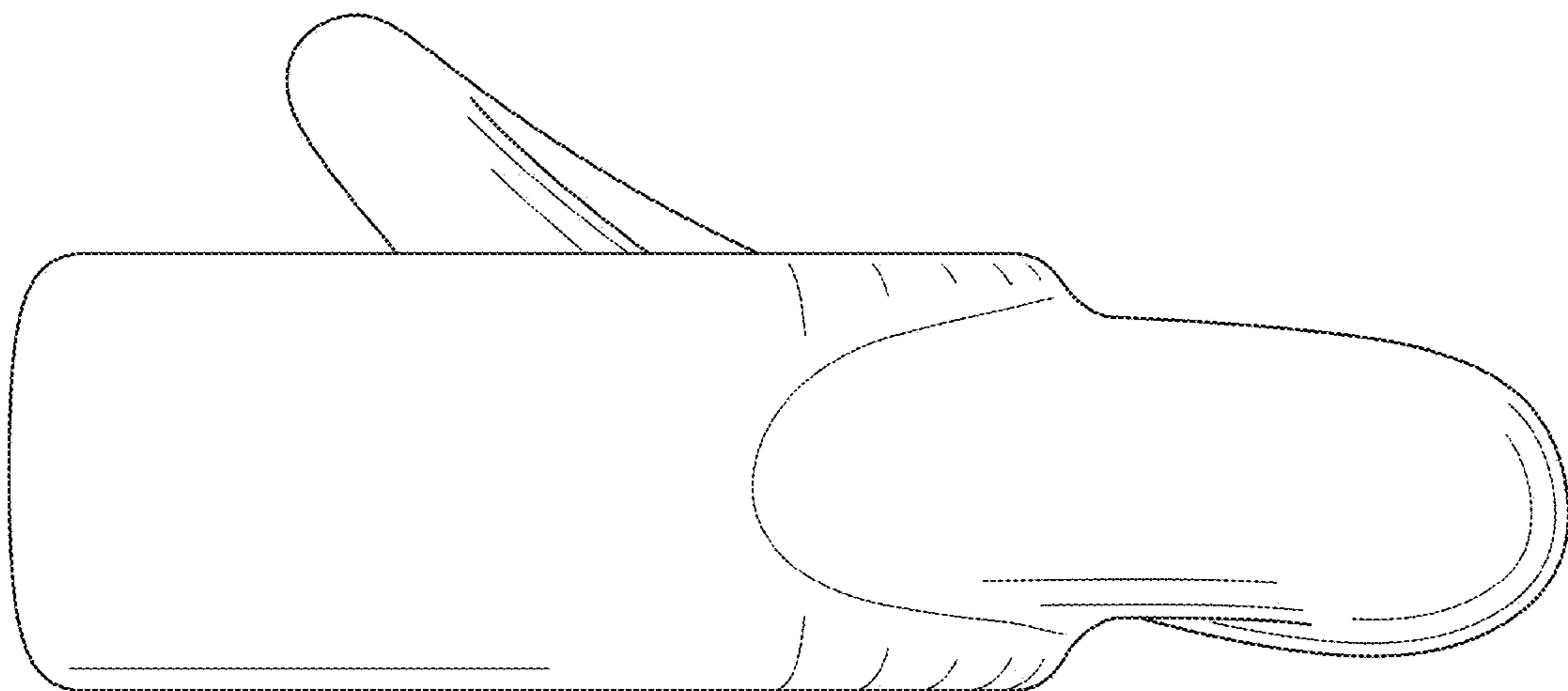


Fig. 10