



US00D881161S

(12) **United States Design Patent**
Chen

(10) **Patent No.:** **US D881,161 S**
(45) **Date of Patent:** **** Apr. 14, 2020**

(54) **SPEAKER WITH INDUCTION CELL PHONE CHARGER**

(71) Applicant: **Pengcheng Chen**, Guangdong (CN)

(72) Inventor: **Pengcheng Chen**, Guangdong (CN)

(**) Term: **15 Years**

(21) Appl. No.: **29/644,485**

(22) Filed: **Apr. 18, 2018**

(51) **LOC (12) Cl.** **14-01**

(52) **U.S. Cl.**
USPC **D14/216**

(58) **Field of Classification Search**

USPC D14/167, 168, 170–172, 188, 194–198,
D14/204, 207, 209.1, 210–216, 219, 221,
D14/222, 224, 496; 181/143, 144, 147,
181/148, 150, 153, 157, 198, 199;
369/6–12; 381/300–303, 306, 332–334,
381/336, 345, 361–364, 386–388
CPC B60R 11/0217; G06F 1/1688; G10K 9/22;
G10K 11/004; H03F 1/327; H04M 1/03;
H04M 1/035; H04N 5/642; H04N
21/4852; H04S 3/00; H04S 7/30; H04R
1/02; H04R 1/06; H04R 1/021; H04R
1/025; H04R 1/026; H04R 1/028; H04R
1/105; H04R 1/323; H04R 1/403; H04R
1/2803; H04R 1/2834; H04R 5/02; H04R
7/20; H04R 9/06; H04R 9/025; H04R
2201/021; H04R 2400/00; H04R 2400/07;
H04R 2499/11; H04R 2499/13; H04R
2499/15

See application file for complete search history.

(56) **References Cited**

U.S. PATENT DOCUMENTS

D211,180 S * 5/1968 Boldt D14/212
D217,154 S * 4/1970 Boldt D14/212
D218,614 S * 9/1970 Yurdin D14/212
D302,816 S 8/1989 Macaulay

(Continued)

FOREIGN PATENT DOCUMENTS

CN 301139545 2/2010
CN 301699736 11/2012

(Continued)

OTHER PUBLICATIONS

Wireless Charging Bluetooth Speaker Portable Stereo Bass Phone
Charger Speaker with Mic for iphone/samsung/smart device, DHgate.
com, [online], [site visited Jun. 24, 2019]. URL: <https://www.dhgate.com/product/wireless-charging-bluetooth-speaker-portable/420036967.html> (Year: 2019).*

(Continued)

Primary Examiner — T Chase Nelson

Assistant Examiner — Jonathan J. Han

(74) *Attorney, Agent, or Firm* — Scott H. Kaliko, Esq.;
Kaliko & Associates, LLC

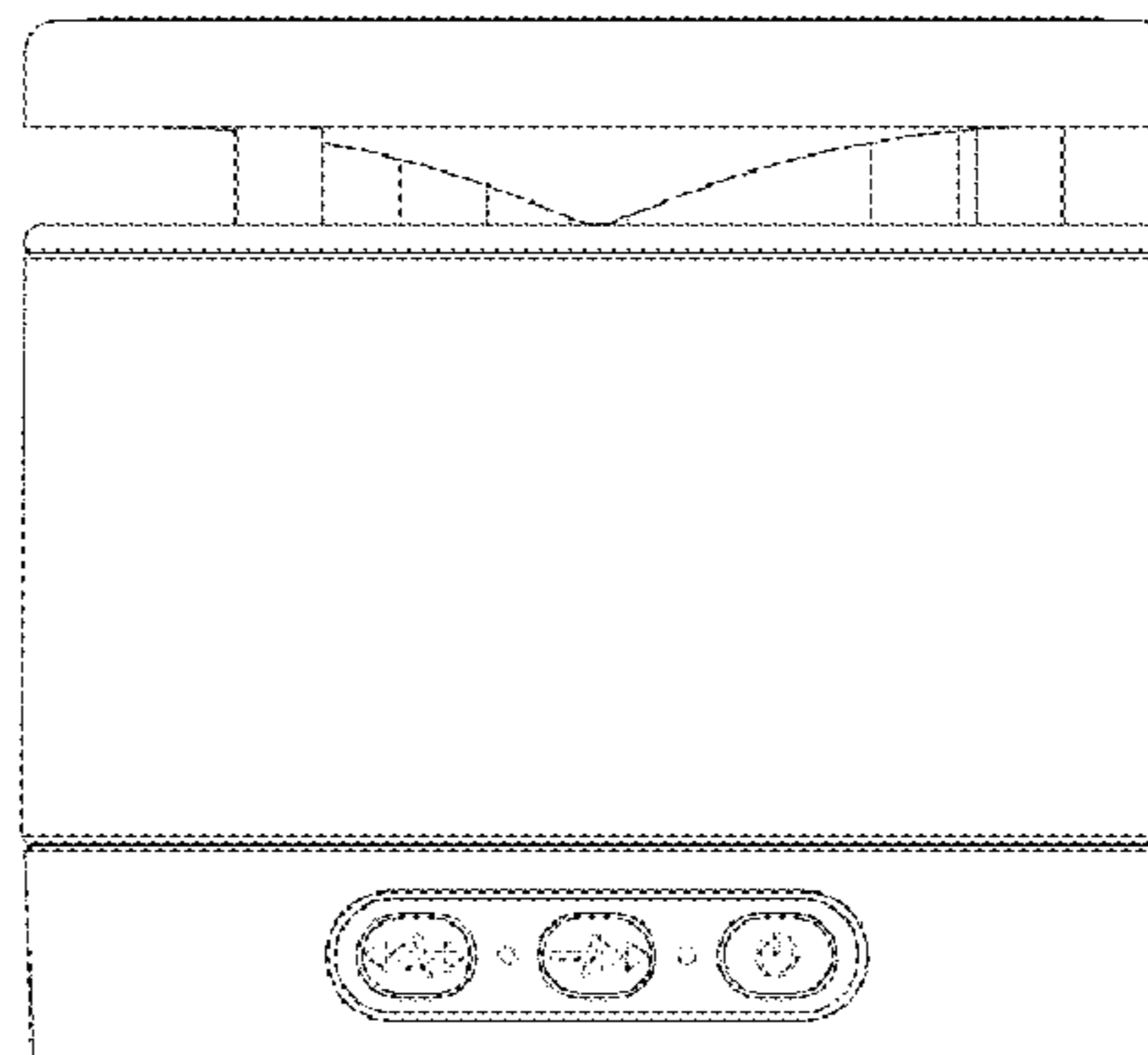
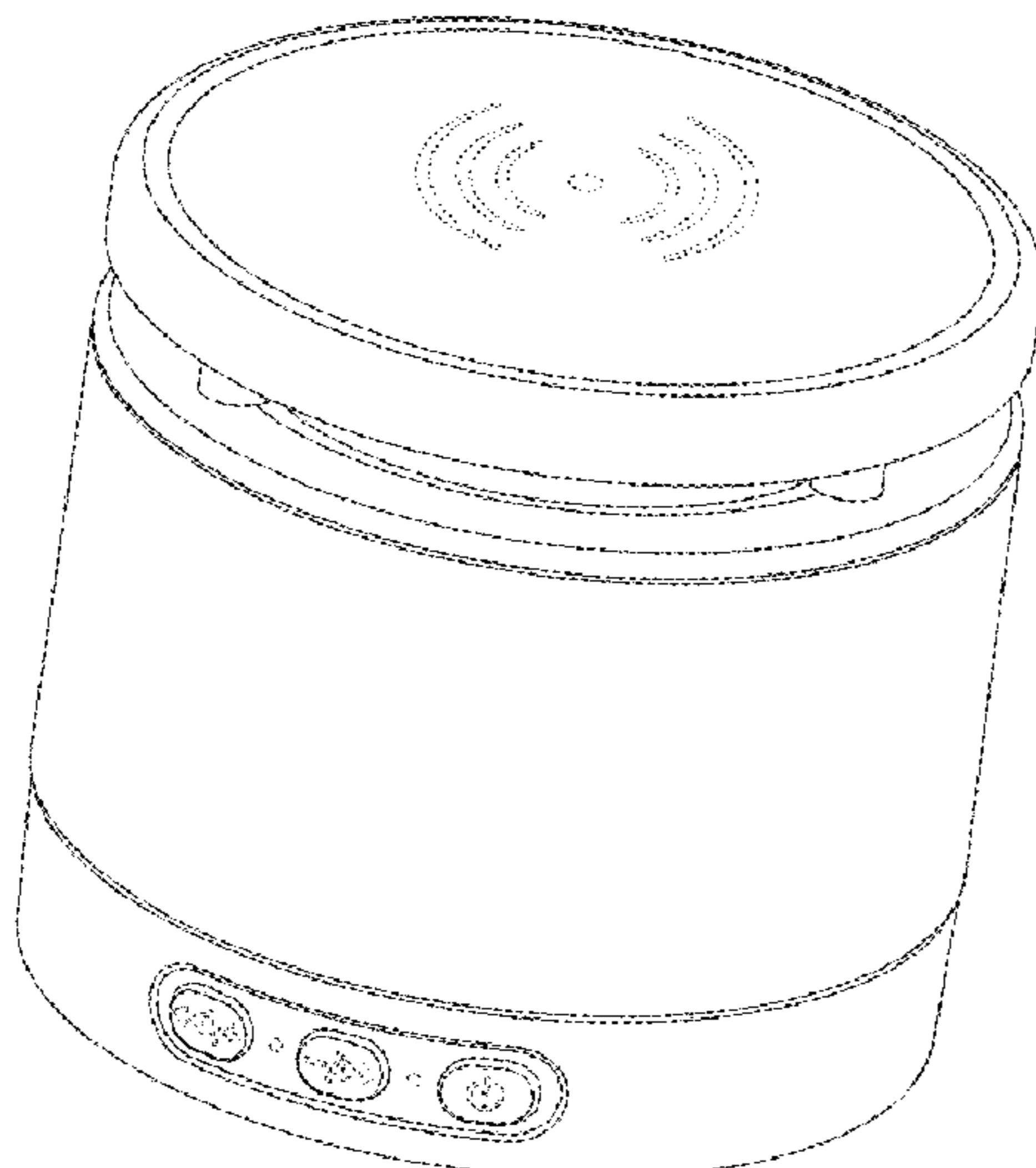
(57) **CLAIM**

The ornamental design for a speaker with induction cell
phone charger, as shown and described.

DESCRIPTION

FIG. 1 is a FRONT EXPLODED PERSPECTIVE view of a
design for the speaker with induction cell phone charger;
FIG. 2 is a FRONT ASSEMBLED PERSPECTIVE view of
the speaker with induction cell phone charger;
FIG. 3 is a TOP view thereof;
FIG. 4 is a BOTTOM view of thereof;
FIG. 5 is a FRONT view thereof;
FIG. 6 is a BACK view thereof;
FIG. 7 is a SIDE view thereof; and,
FIG. 8 is an OPPOSITE SIDE view thereof.
The broken lines showing the bracket in FIG. 1 are for
purposes of showing the relationship and order of assembly
of various parts of the exploded view only and form no part
of the claimed design.

1 Claim, 5 Drawing Sheets



(56)

References Cited

U.S. PATENT DOCUMENTS

D344,951 S * 3/1994 Christie D14/216
 D518,029 S * 3/2006 Tsang D14/216
 D542,279 S 5/2007 Chan
 D577,356 S * 9/2008 Moon D14/168
 D598,020 S * 8/2009 Lu D14/358
 D602,911 S * 10/2009 Wang D14/216
 D617,314 S * 6/2010 Zha D14/216
 D620,480 S * 7/2010 Garrett D14/216
 D639,273 S 6/2011 Chow
 D645,843 S 9/2011 Bolton
 D652,023 S 1/2012 Chen
 D689,846 S * 9/2013 Nylen D14/216
 D692,411 S 10/2013 Joseph
 D693,765 S 11/2013 Workman
 D694,182 S 11/2013 Lee
 D696,190 S 12/2013 Brandtman
 D710,329 S 8/2014 Holzer
 D714,248 S 9/2014 Chang
 D725,076 S * 3/2015 Wong D14/216
 D725,077 S * 3/2015 Wong D14/216
 D729,772 S 5/2015 Ferber
 D732,006 S 6/2015 Zhao
 D737,800 S 9/2015 Aleksandrov
 D742,358 S 11/2015 Alves
 D752,014 S 3/2016 Bolmstrand
 D756,957 S 5/2016 Nylen
 D757,014 S 5/2016 Hahn
 D758,989 S * 6/2016 Vogt, Jr. D14/204
 D760,697 S * 7/2016 Zhao D14/216
 D762,571 S 8/2016 Lee
 D771,019 S * 11/2016 Lee D14/216
 D774,455 S 12/2016 Kim
 D786,829 S 5/2017 Wang
 D787,439 S 5/2017 Sloan
 D792,374 S 7/2017 Kim
 D792,468 S * 7/2017 Langhammer D14/203.3
 D795,947 S * 8/2017 Chong D16/202
 D802,022 S * 11/2017 Yao D14/496
 D804,915 S * 12/2017 Suess D7/608
 D806,709 S * 1/2018 Gummalla D14/358
 D806,843 S * 1/2018 McDonnell D23/355
 D810,045 S * 2/2018 Kim D14/204
 D810,049 S 2/2018 Lee
 D811,367 S 2/2018 Vaclavik
 D811,368 S 2/2018 Fischer
 D813,201 S 3/2018 Shin
 D815,149 S * 4/2018 Langhammer D14/496
 D820,802 S * 6/2018 Hamann D14/149
 D826,205 S * 8/2018 Langhammer D14/203.6

D831,595 S * 10/2018 Mittlennan D13/183
 D838,257 S * 1/2019 Manz D14/216
 D843,419 S * 3/2019 Vaclavik D14/496
 D849,704 S * 5/2019 Kim D14/137
 2015/0036863 A1* 2/2015 Wen F21V 23/009
 381/386

FOREIGN PATENT DOCUMENTS

CN	30218758	12/2012
CN	302909182	8/2014
CN	302931393	9/2014
CN	303452943	11/2015
CN	303931412	11/2016
EM	001136113-0002	6/2009
EM	300612546.1	1/2012
EP	003174390-0001	9/2016
IT	002441550-0007	5/2014
IT	002441550-0006	7/2014
JP	1477900	8/2013
JP	1499841	6/2014
JP	1489271	2/2015
KR	300501496.0000	8/2008
KR	300728309	2/2014
KR	300769939	3/2014
KR	002459388-0004	7/2014
KR	300757022	8/2014
KR	300760184	9/2014
KR	300770333	11/2014
WO	WOD093719-002	12/2016

OTHER PUBLICATIONS

LW-004 Qi Wireless Charger + Portable Bluetooth Speaker, Business-Members-Club.biz, [online], [site visited Jun. 24, 2019]. URL: https://business-members-club.biz/for-sale/cell-phones-accessories/lw-004-qi-wireless-charger-portable-bluetooth-speaker_i20 (Year: 2019).*

Metal Bluetooth Speaker and Wireless Charging Pad, PCNA.com, [online], [site visited Jun. 24, 2019]. URL: https://www.pcna.com/leeds/en-us/leeds-mobiletech-speakers/product/7198-64_reg (Year: 2019).*

Bluetooth Speaker with Qi Wireless Charging Pad, Amazon.com, Date first listed on Amazon: Mar. 10, 2019, [online], [site visited Jun. 24, 2019]. URL: https://www.amazon.com/Bluetooth-Wireless-Charging-Portable-Compatible/dp/B07NTNJ4H2/ref=sr_1_15?keywords=wireless+speaker+charger&qid=1561407852&s (Year: 2019).*

* cited by examiner

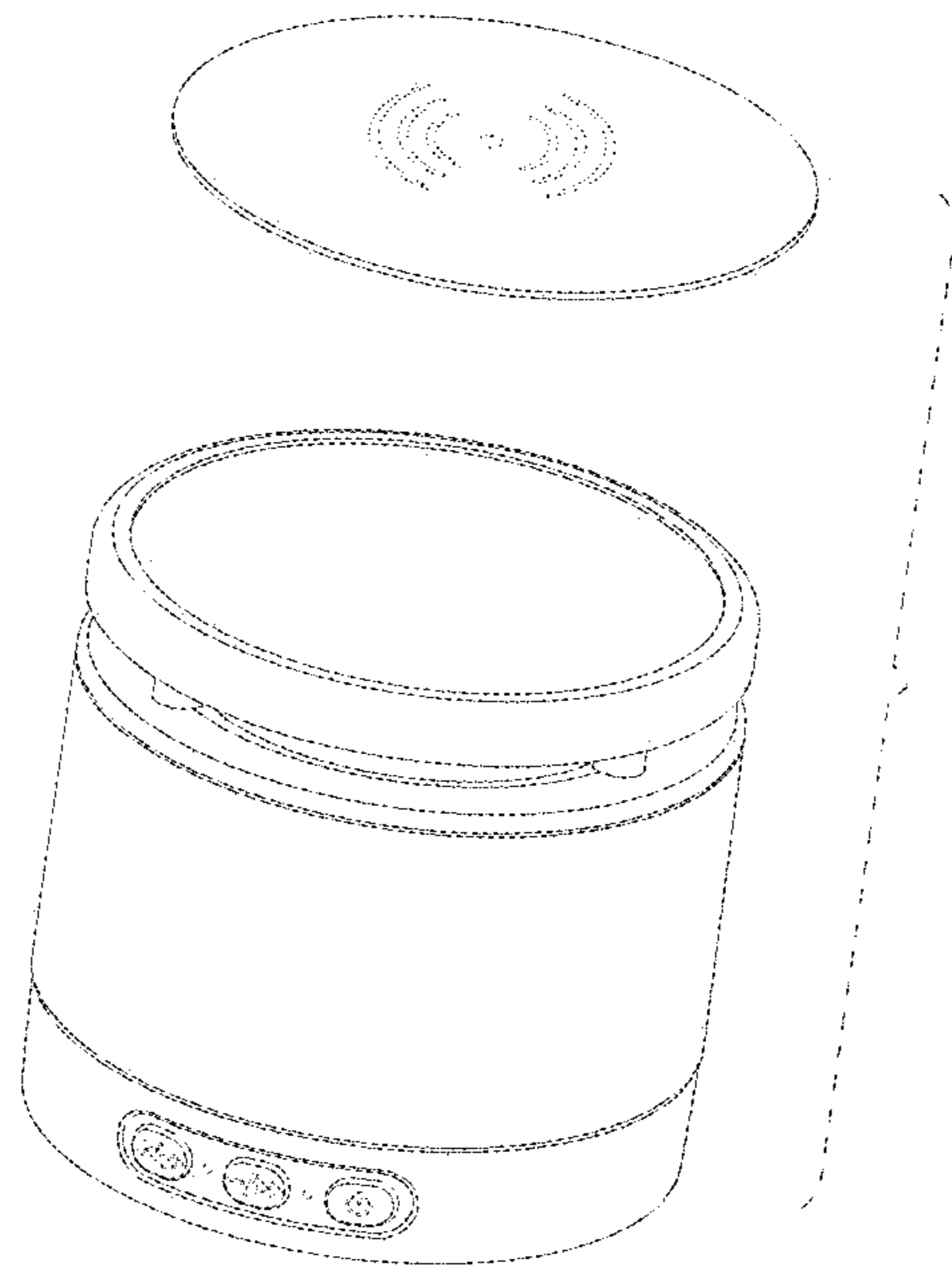


FIG 1

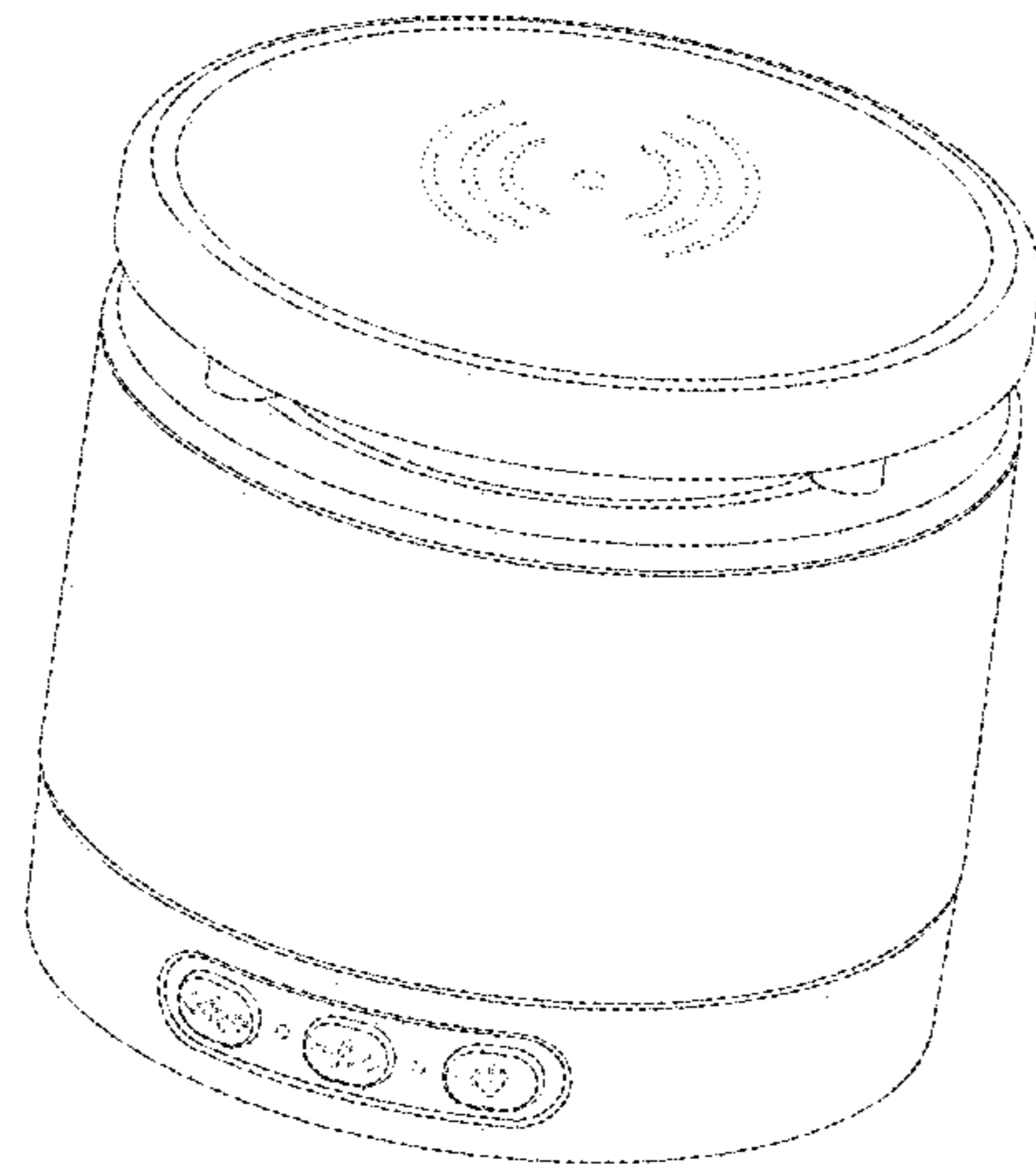


FIG 2

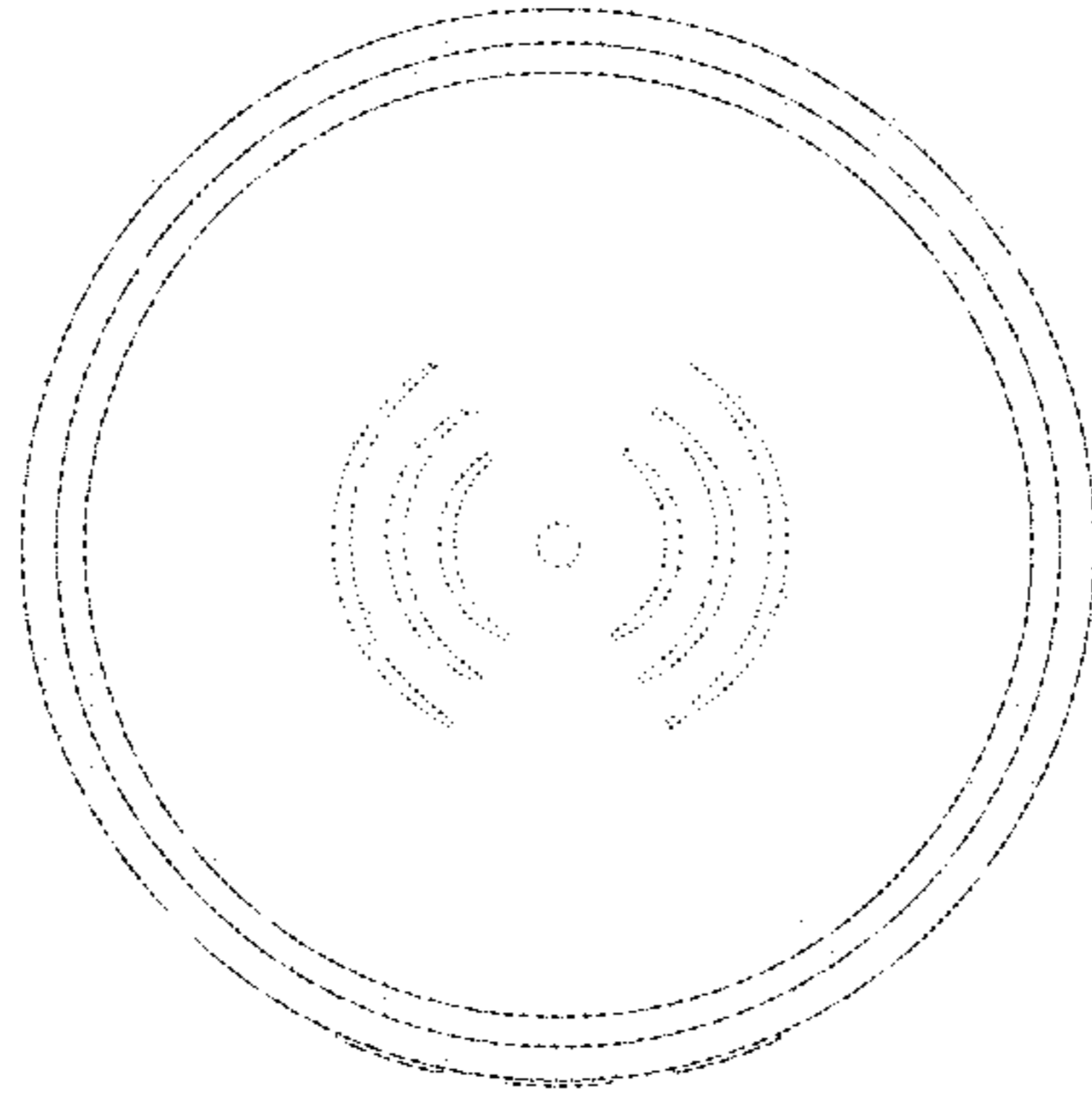


FIG 3

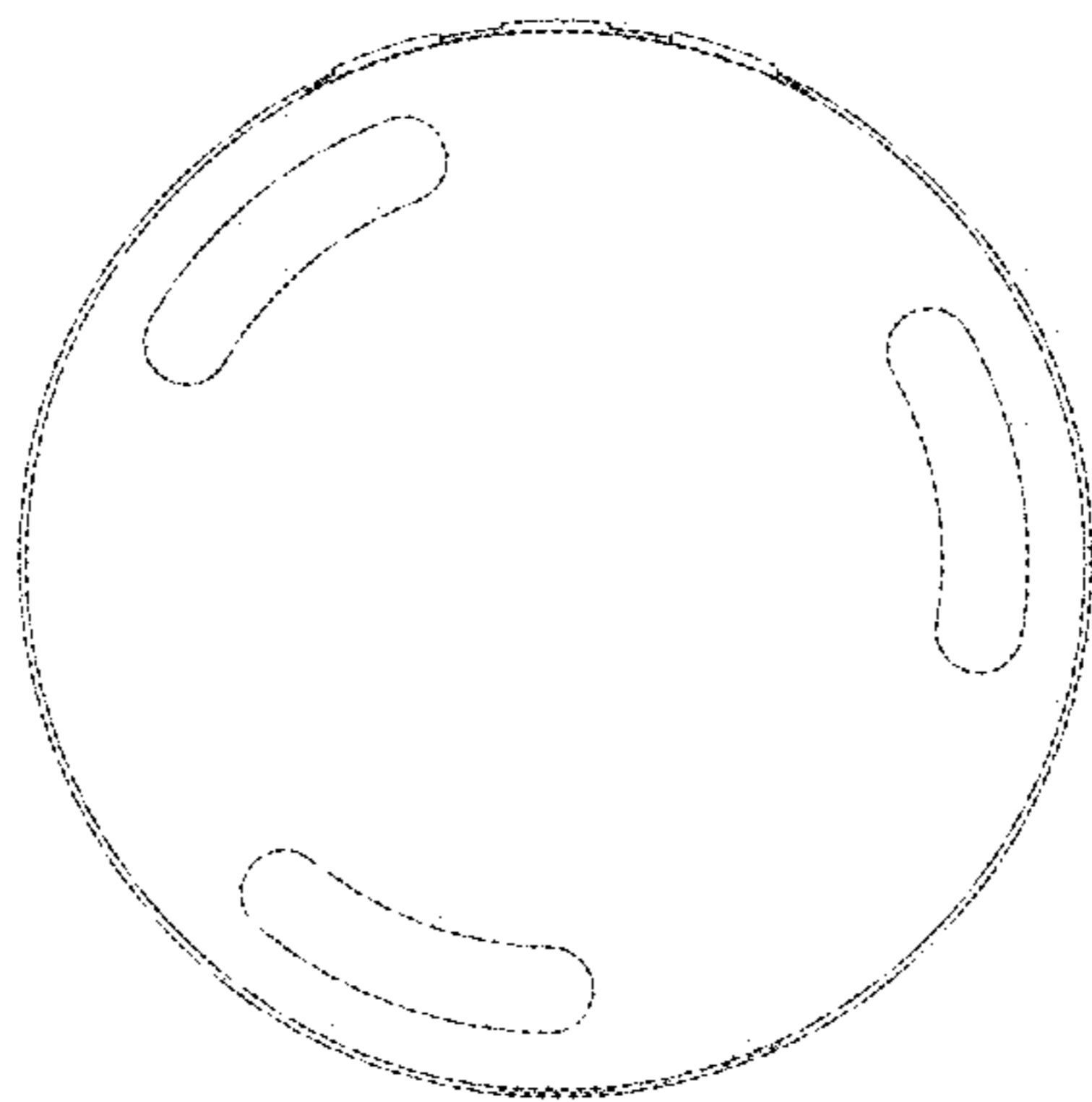


FIG 4

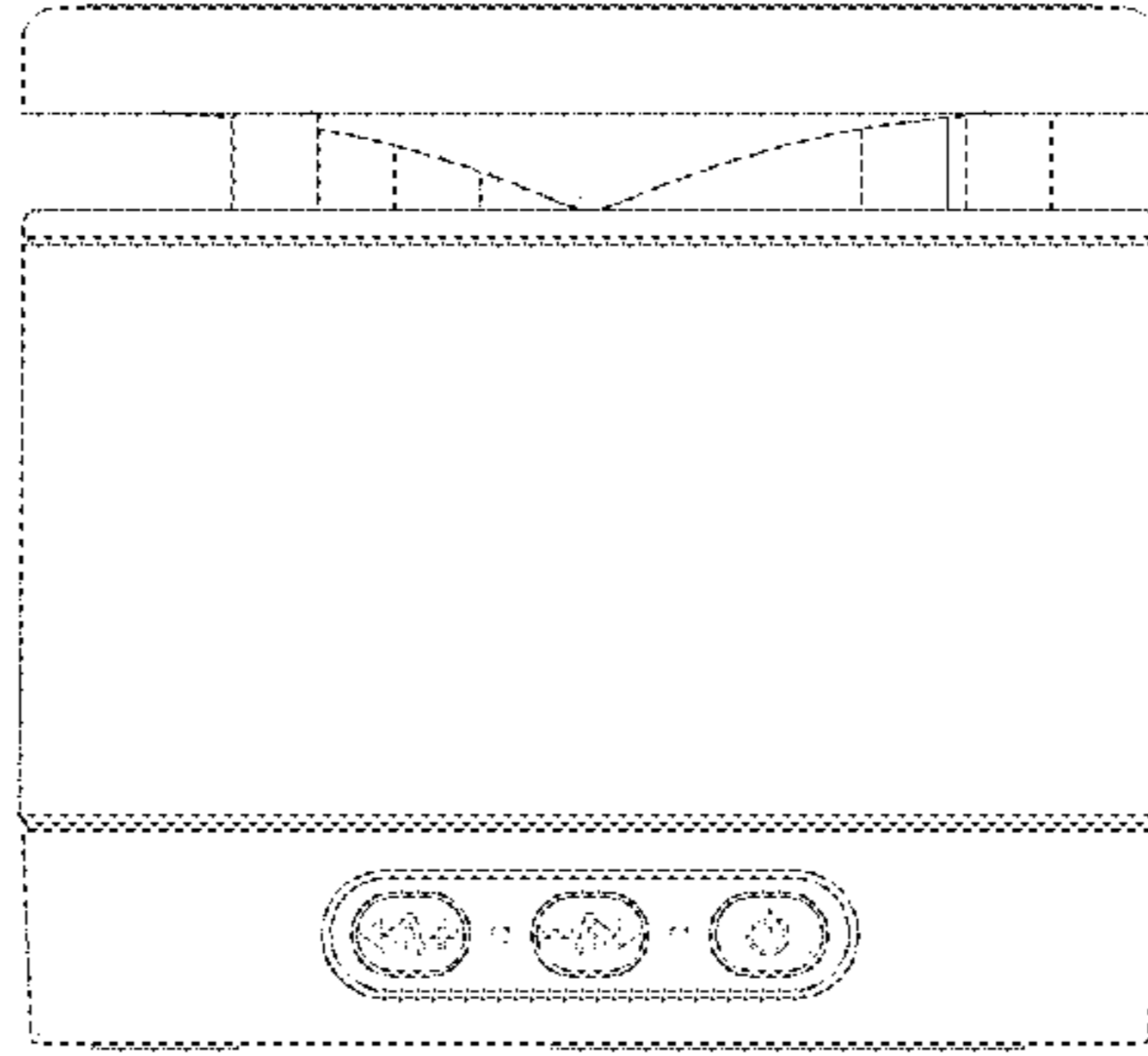


FIG 5

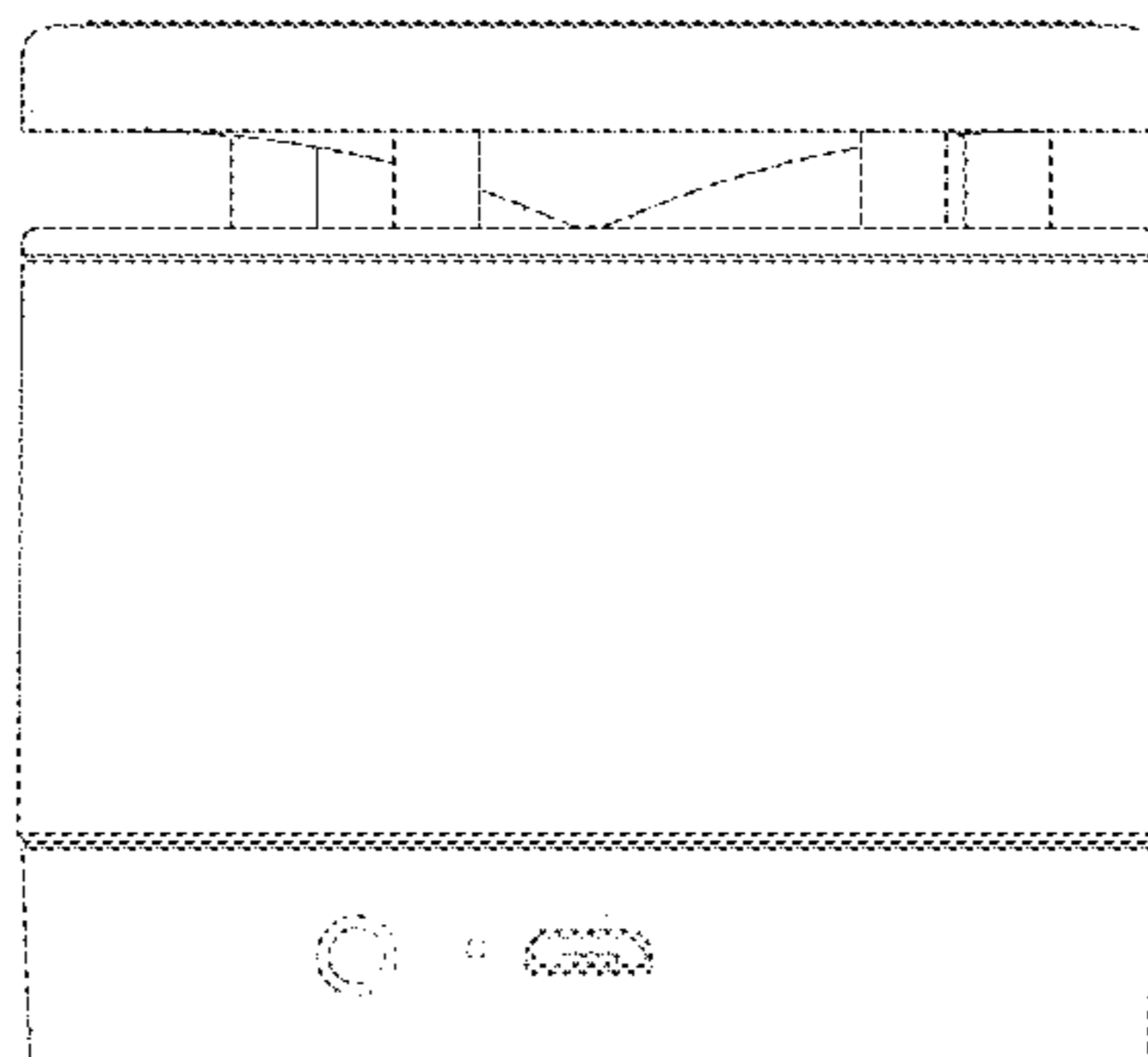


FIG 6

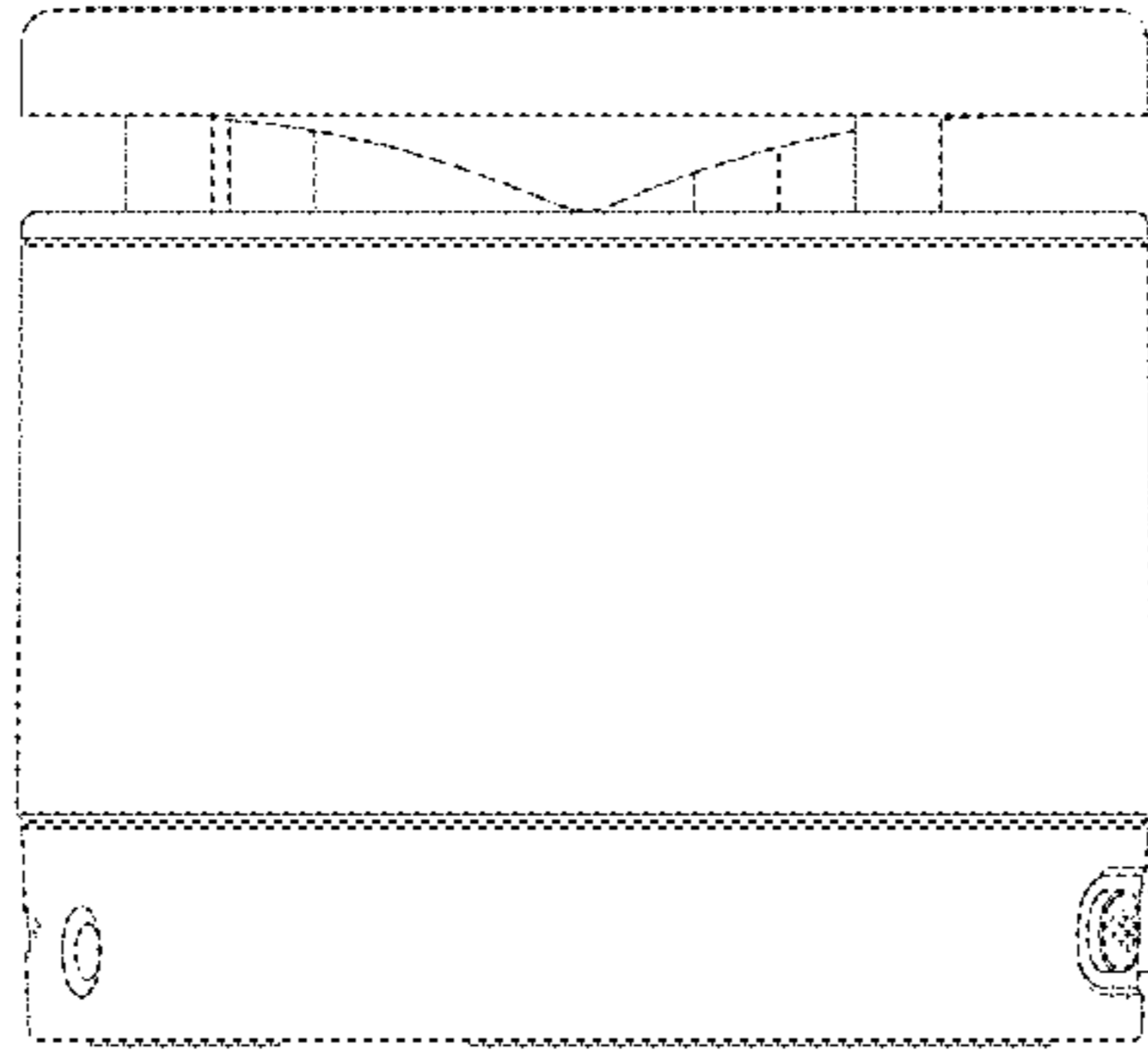


FIG 7

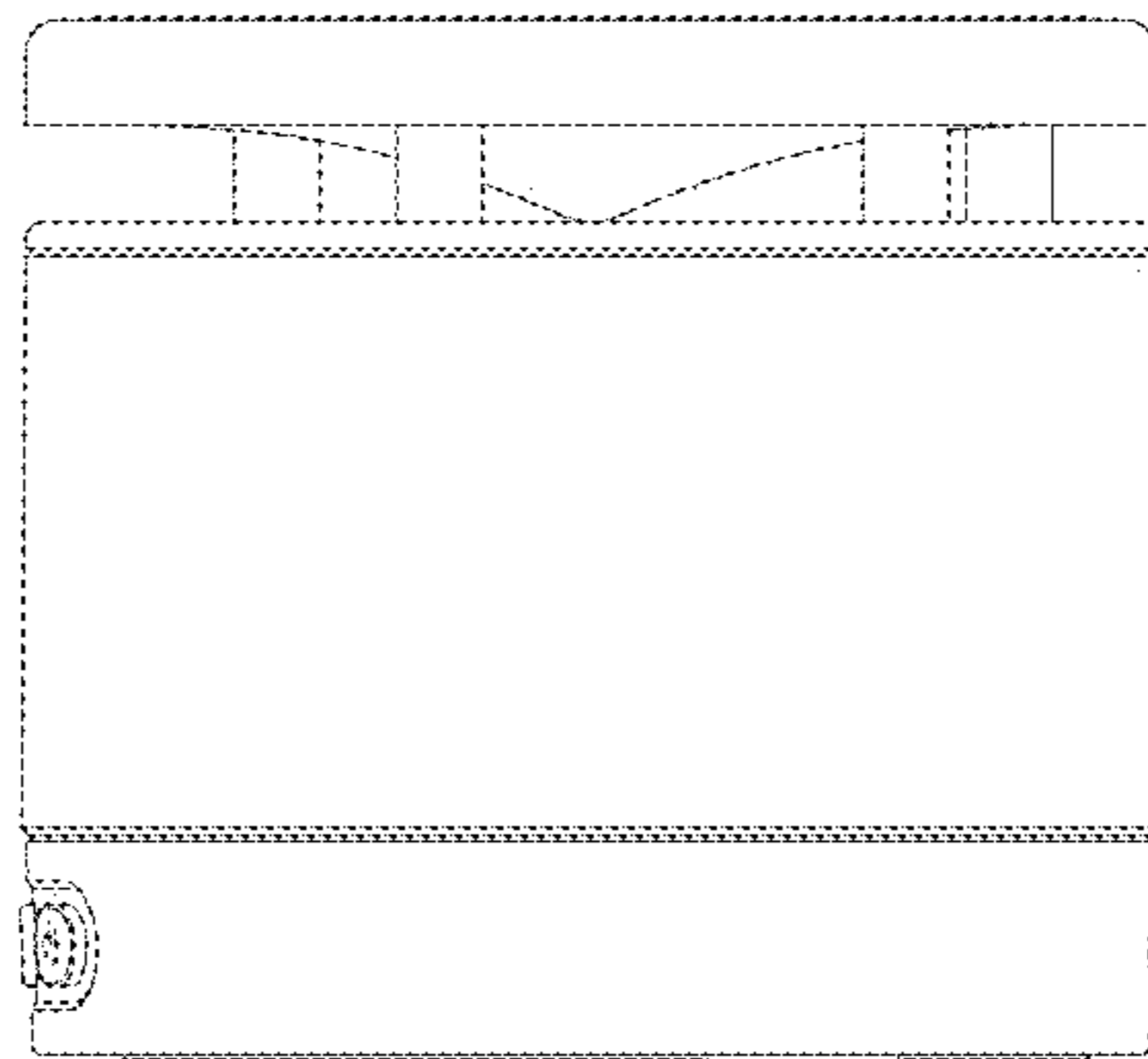


FIG 8