



US00D881159S

(12) **United States Design Patent** (10) **Patent No.:** **US D881,159 S**
Dong (45) **Date of Patent:** **** Apr. 14, 2020**

(54) **AUDIO**

2400/00; H04R 2400/07; H04R 2499/11;
H04R 2499/13; H04R 2499/15; H04S
3/00; H04S 7/30

(71) Applicant: **Third Reality, Inc.**, Zhenjiang, Jiangsu
Province (CN)

See application file for complete search history.

(72) Inventor: **Xuezhong Dong**, Zhenjiang (CN)

(56) **References Cited**

(73) Assignee: **Third Reality, Inc.** (CN)

U.S. PATENT DOCUMENTS

(**) Term: **15 Years**

D720,722 S *	1/2015	Lee	D14/210
D721,056 S *	1/2015	Lee	D14/210
D752,550 S *	3/2016	Lee	D14/216
D758,346 S *	6/2016	DiTullo	D14/214
D845,277 S *	4/2019	Yoon	D14/216
D869,411 S *	12/2019	Wang	D14/125

(21) Appl. No.: **29/696,986**

(22) Filed: **Jul. 3, 2019**

* cited by examiner

(30) **Foreign Application Priority Data**

Jan. 4, 2019 (CN) 2019 3 0004134

(51) **LOC (12) Cl.** **14-01**

(52) **U.S. Cl.**
USPC **D14/214**

(58) **Field of Classification Search**
USPC D14/167, 168, 170-172, 188, 194-196,
D14/204, 209.1, 210-216, 219, 221, 222,
D14/224, 239, 496
CPC B60R 11/0217; G06F 1/1688; G10K 9/22;
G10K 11/004; H03F 1/327; H04M 1/03;
H04M 1/035; H04N 5/642; H04N
21/4852; H04R 1/02; H04R 1/06; H04R
1/021; H04R 1/025; H04R 1/026; H04R
1/028; H04R 1/105; H04R 1/323; H04R
1/403; H04R 1/2803; H04R 1/2834;
H04R 5/02; H04R 7/20; H04R 9/06;
H04R 9/025; H04R 2201/021; H04R

Primary Examiner — Keli L Hill
(74) *Attorney, Agent, or Firm* — PROI Intellectual
Property US

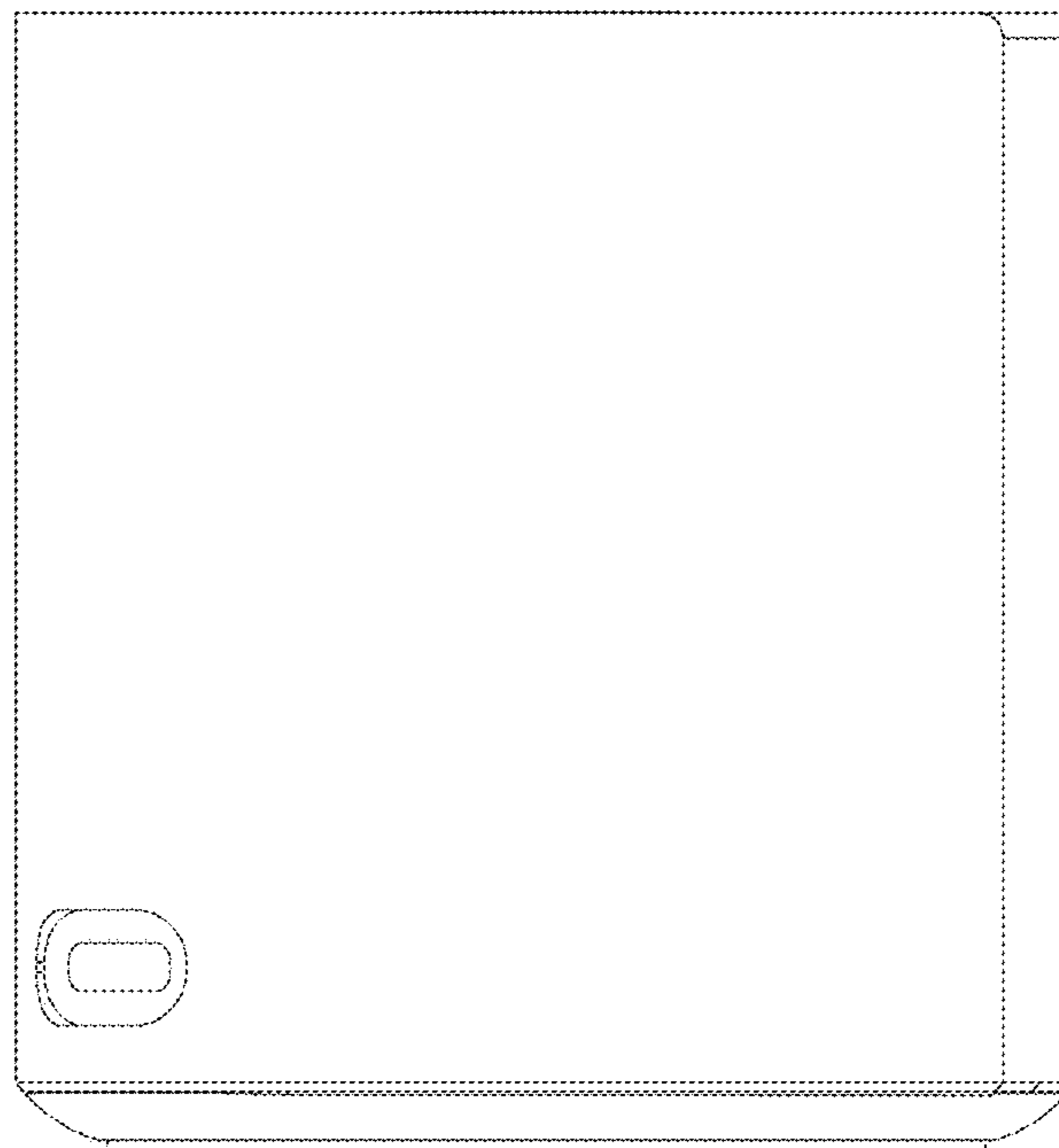
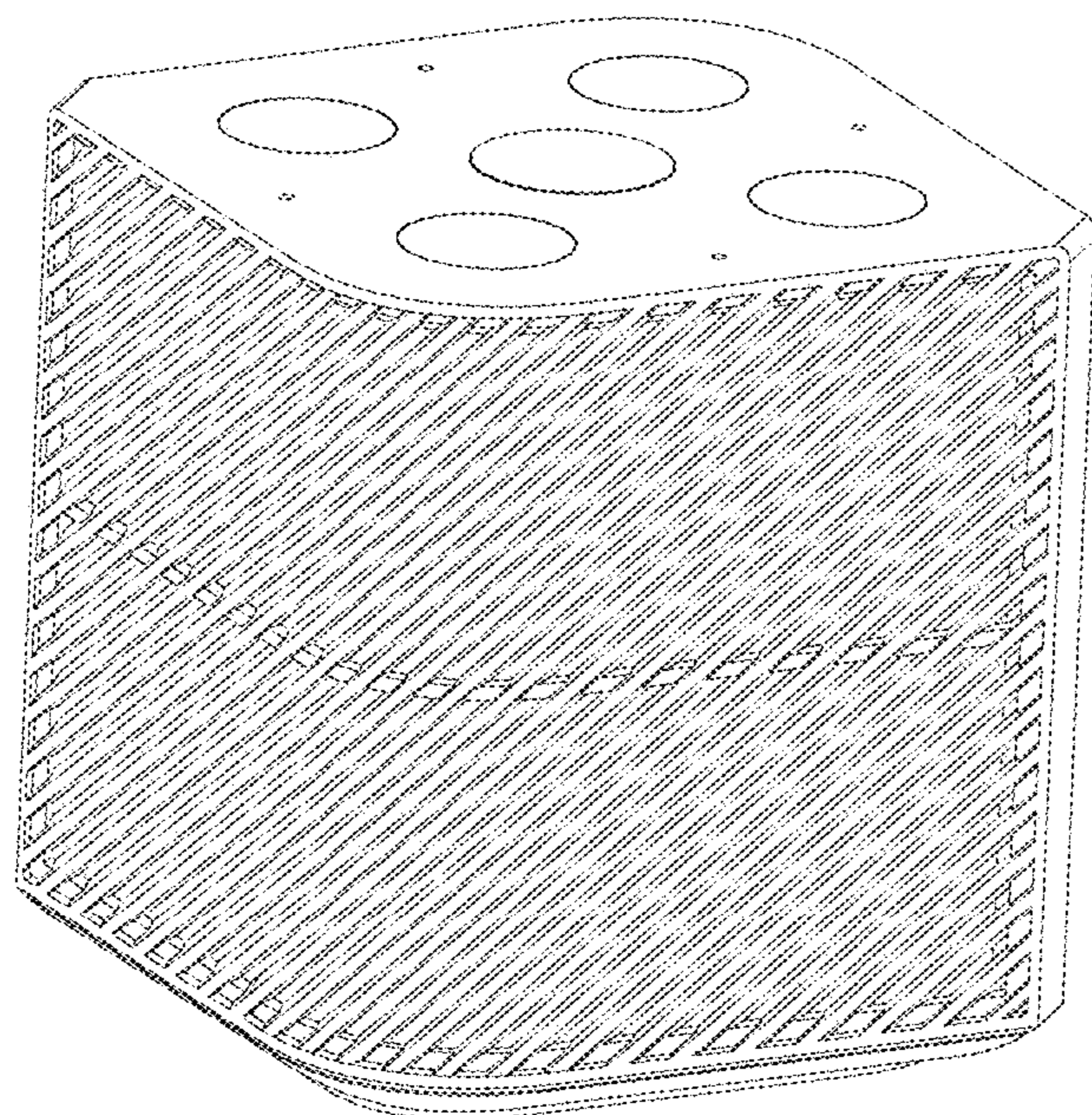
(57) **CLAIM**

The ornamental design for an audio, as shown and
described.

DESCRIPTION

FIG. 1 is a perspective top View of an audio;
FIG. 2 is a front View thereof;
FIG. 3 is a rear View thereof;
FIG. 4 is a top View thereof;
FIG. 5 is a bottom View thereof;
FIG. 6 is a left side View thereof; and,
FIG. 7 is a right side View thereof.

1 Claim, 7 Drawing Sheets



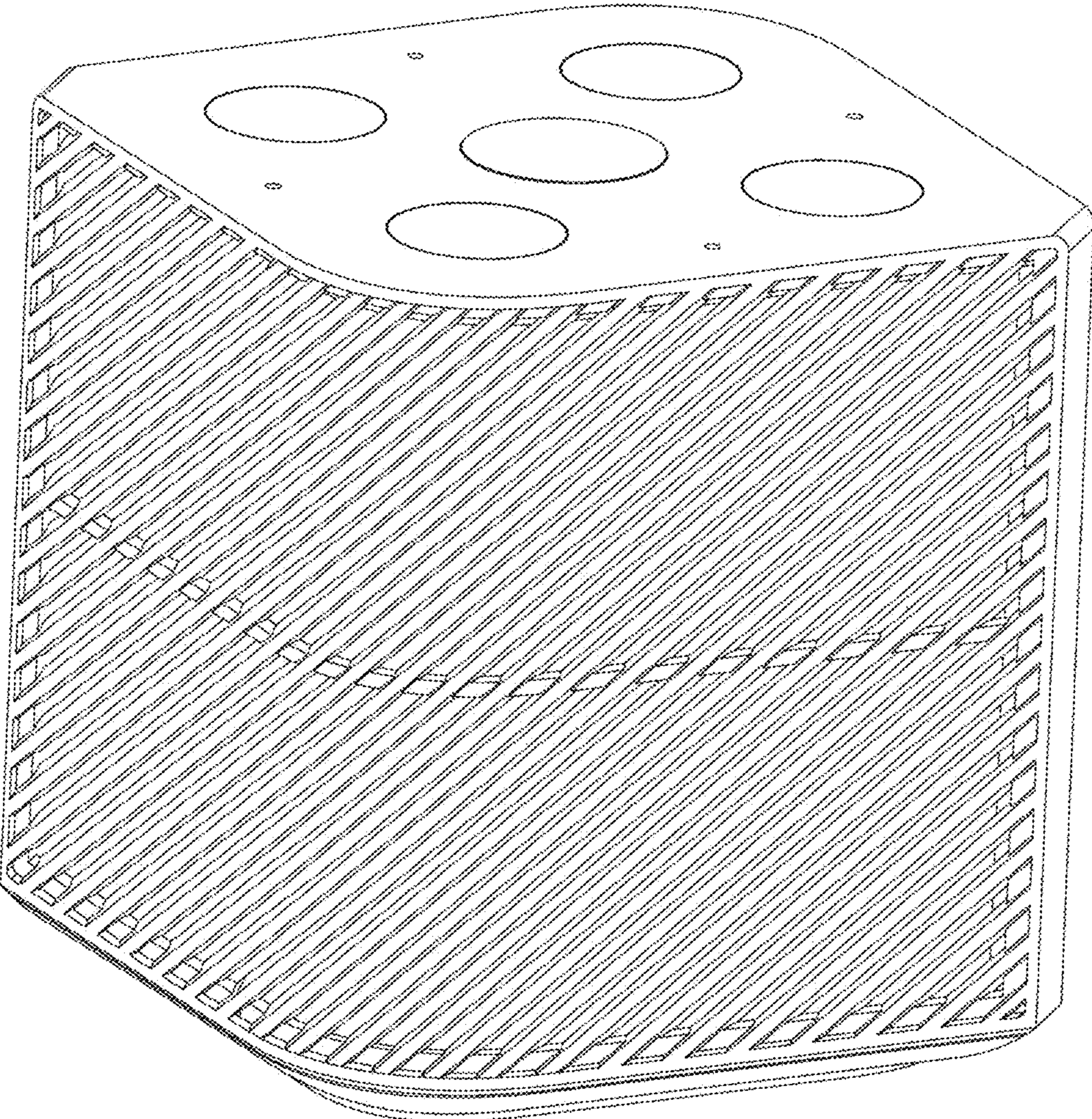


FIG. 1

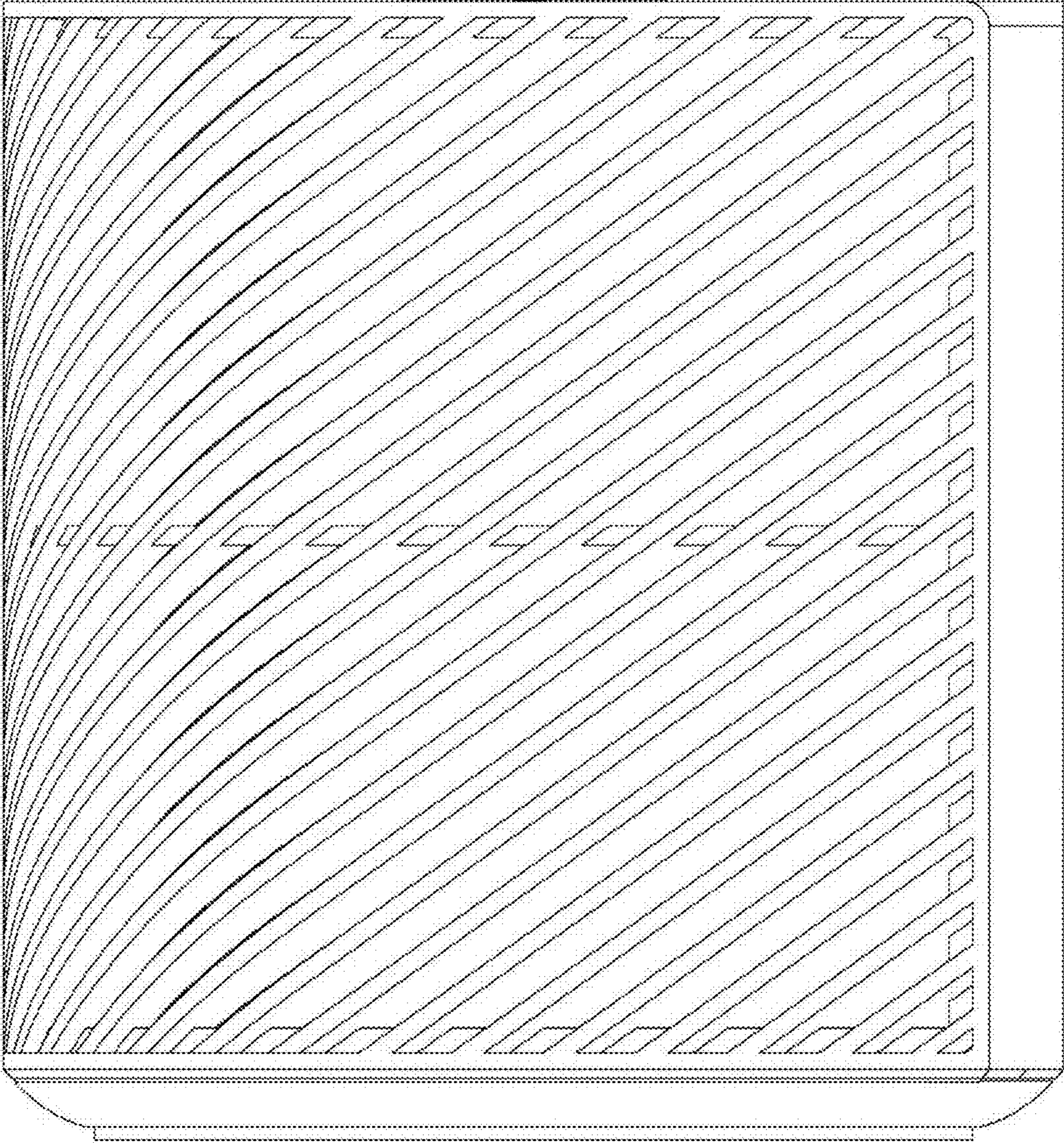


FIG. 2

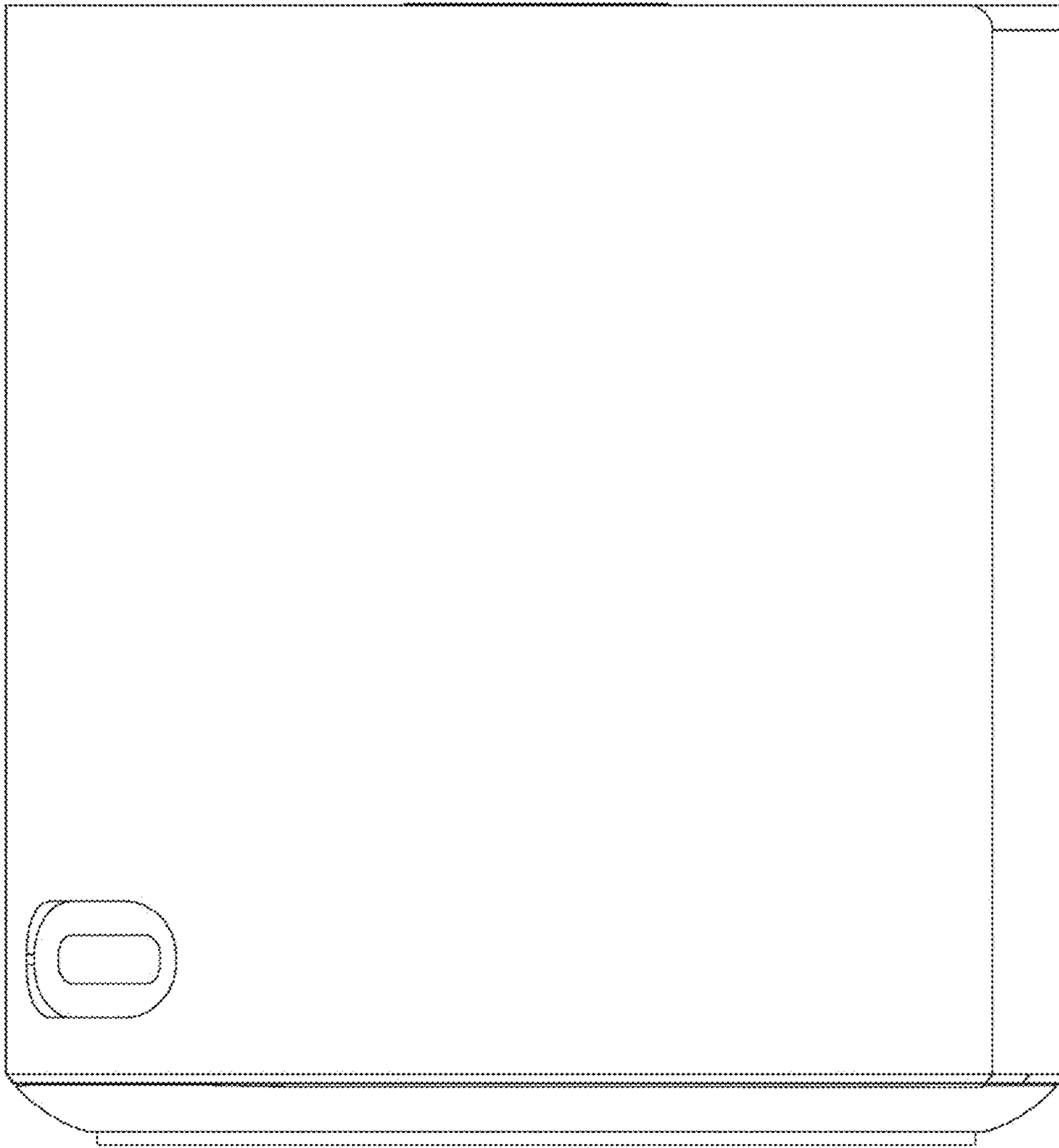


FIG. 3

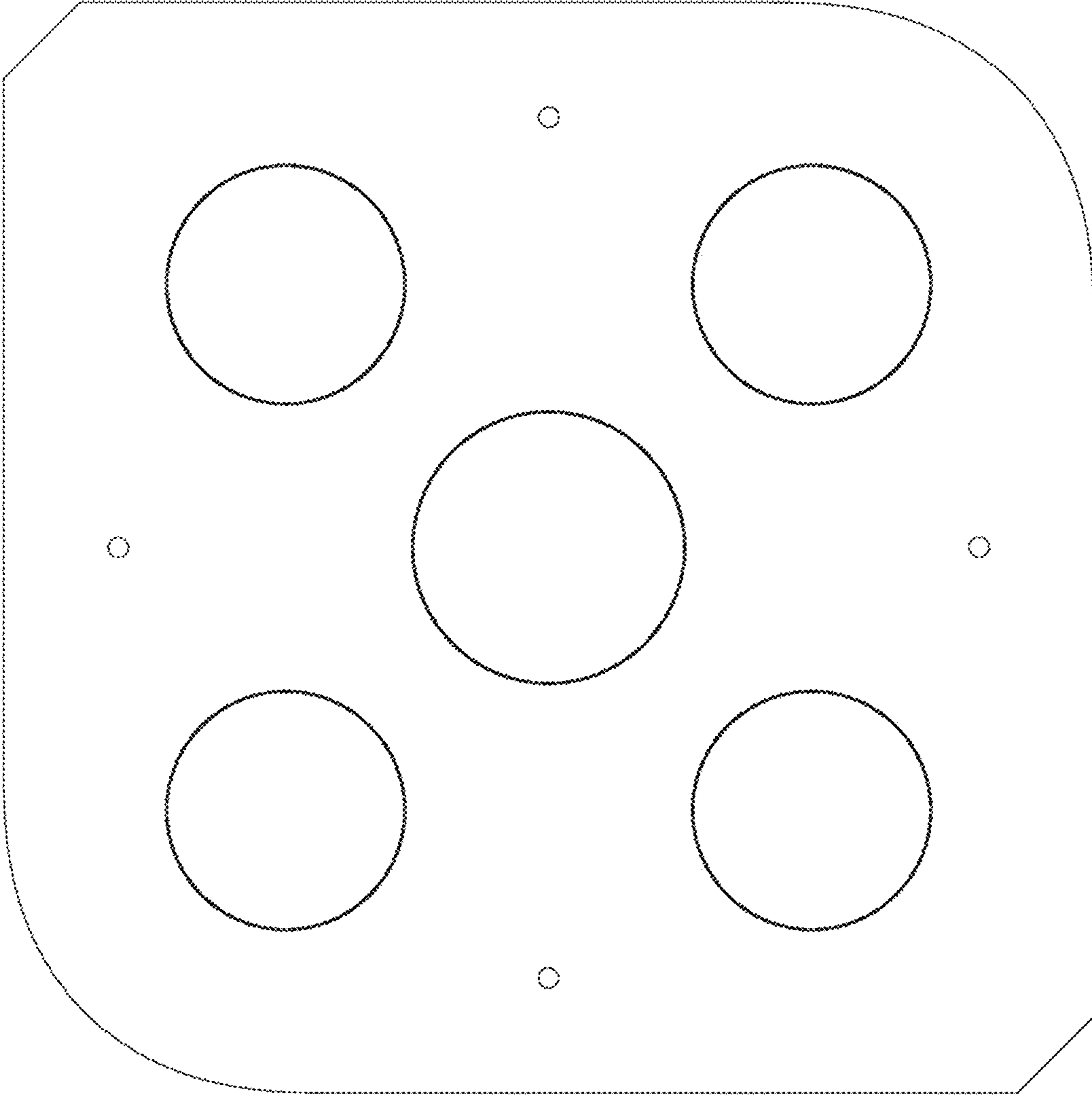


FIG. 4

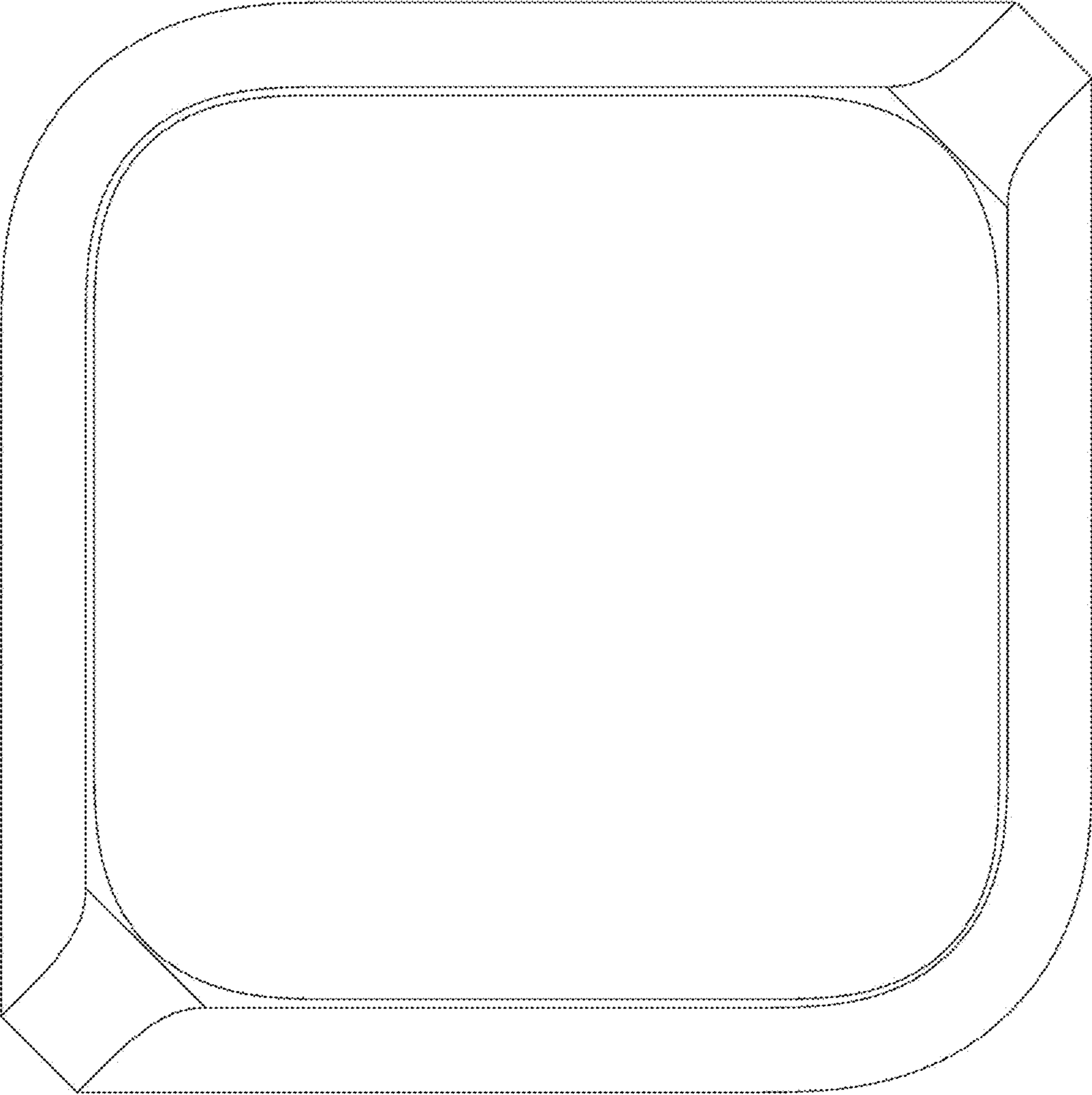


FIG. 5

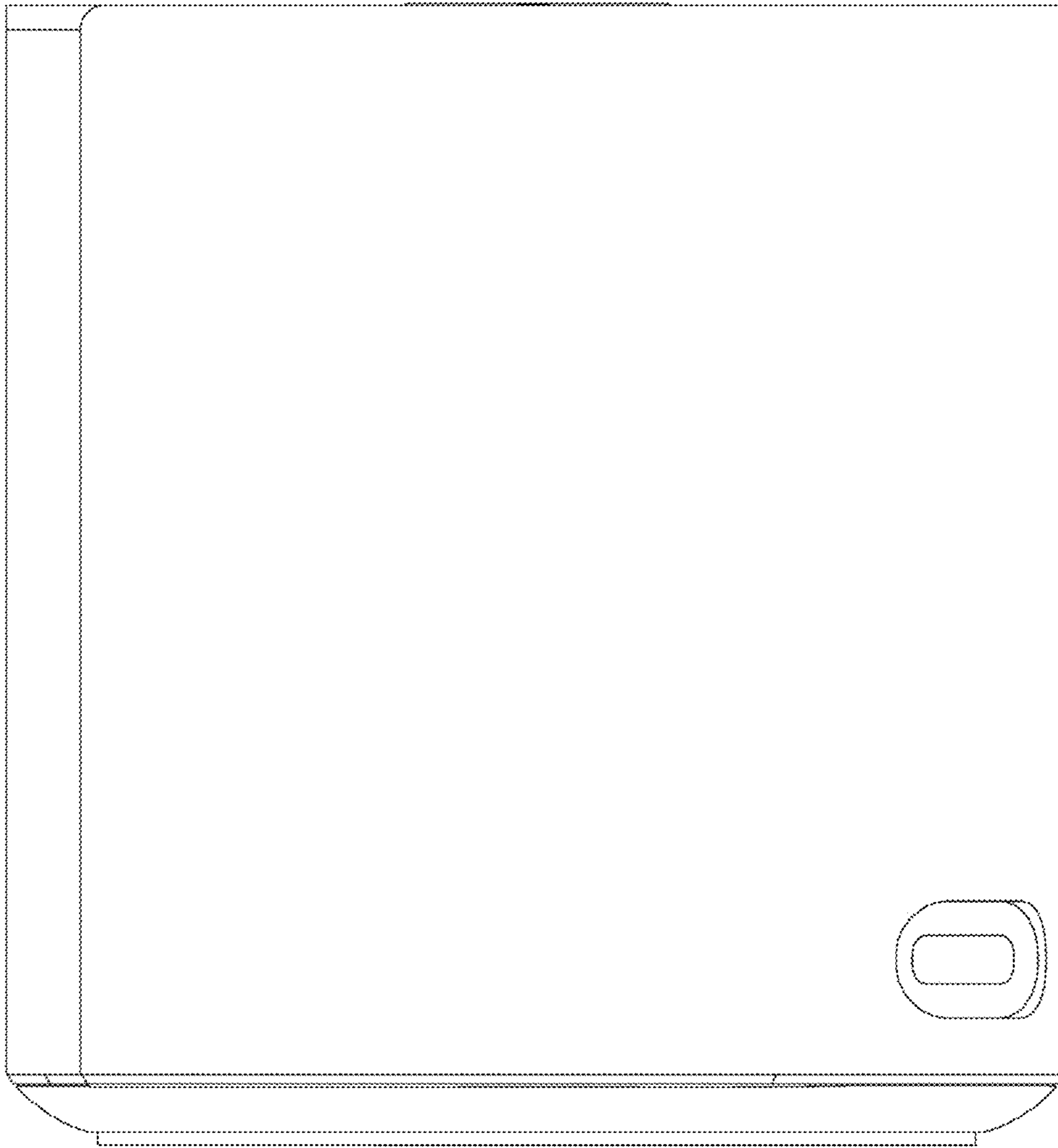


FIG. 6

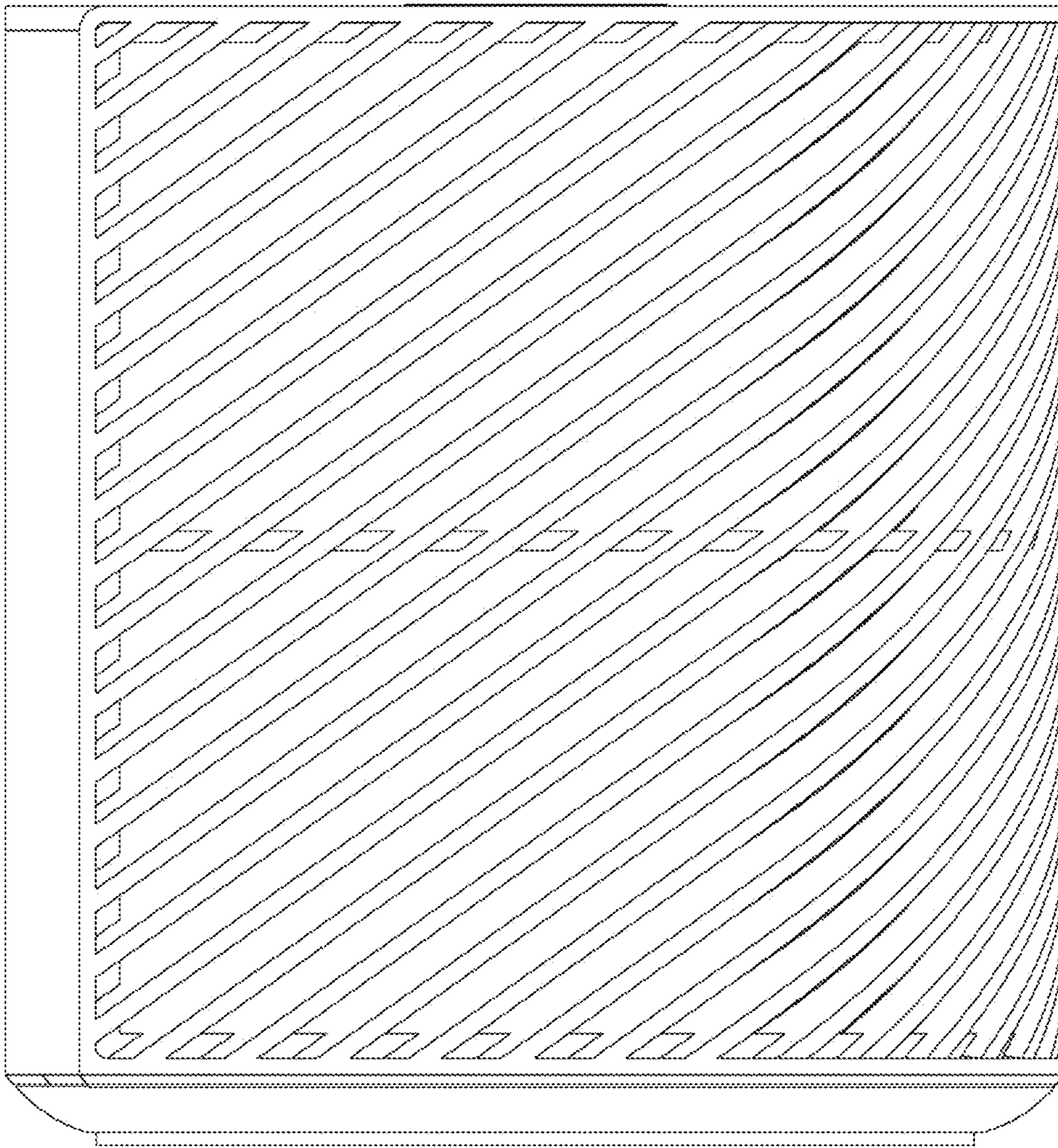


FIG. 7