



US00D881158S

(12) **United States Design Patent**
Eckstein et al.

(10) **Patent No.:** **US D881,158 S**
(45) **Date of Patent:** **** Apr. 14, 2020**

(54) **LOUDSPEAKER**
(71) Applicant: **d&b audiotechnik GmbH**, Backnang (DE)
(72) Inventors: **Michael Eckstein**, Backnang (DE); **Fritz Wurster**, Backnang (DE)
(73) Assignee: **d&b audiotechnik GmbH**, Backnang (DE)
(**) Term: **15 Years**

7,328,769 B1 * 2/2008 Adamson H04R 1/026
181/144
D641,006 S * 7/2011 Anthony D14/214
D654,474 S * 2/2012 Hawkins D14/214
D659,119 S * 5/2012 Brunner D14/209.1
D663,719 S * 7/2012 Warden D14/214
D683,718 S * 6/2013 Brunner D14/209.1
D687,814 S * 8/2013 Lum D14/214
D692,863 S * 11/2013 Givre D14/214
D692,864 S * 11/2013 Givre D14/214
D705,753 S * 5/2014 Kimura D14/209.1
D708,228 S * 7/2014 Fustino D14/203.1
(Continued)

(21) Appl. No.: **29/645,458**
(22) Filed: **Apr. 26, 2018**
(30) **Foreign Application Priority Data**
Nov. 9, 2017 (EM) 004500502-0001
Nov. 9, 2017 (EM) 004500502-0002
Nov. 9, 2017 (EM) 004500502-0003
Nov. 9, 2017 (EM) 004500502-0004

OTHER PUBLICATIONS

GSL12 loudspeaker, DBaudio.com, [online], [site visited Jun. 17, 2019]. URL: <https://www.dbaudio.com/global/en/products/series/sl-series/gsl12/> (Year: 2019).*
(Continued)

(51) **LOC (12) Cl.** **14-01**
(52) **U.S. Cl.**
USPC **D14/214**
(58) **Field of Classification Search**
USPC D14/204, 209, 210, 214; 181/199, 144,
181/148, 147, 154; 381/386, 339, 345,
381/351, 335, 332, 395, 87, 150, 182,
381/186, 342, 355; 248/282.1, 323
CPC H04R 25/00; H04R 1/02; H04R 1/1025;
H05K 5/00; A47B 81/06
See application file for complete search history.

Primary Examiner — T Chase Nelson
Assistant Examiner — Jonathan J. Han
(74) *Attorney, Agent, or Firm* — Ostrolenk Faber LLP

(56) **References Cited**

U.S. PATENT DOCUMENTS

D439,237 S * 3/2001 Felix D14/214
D531,986 S * 11/2006 Azumi D14/214
7,324,654 B2 * 1/2008 Opie H04R 1/26
381/345

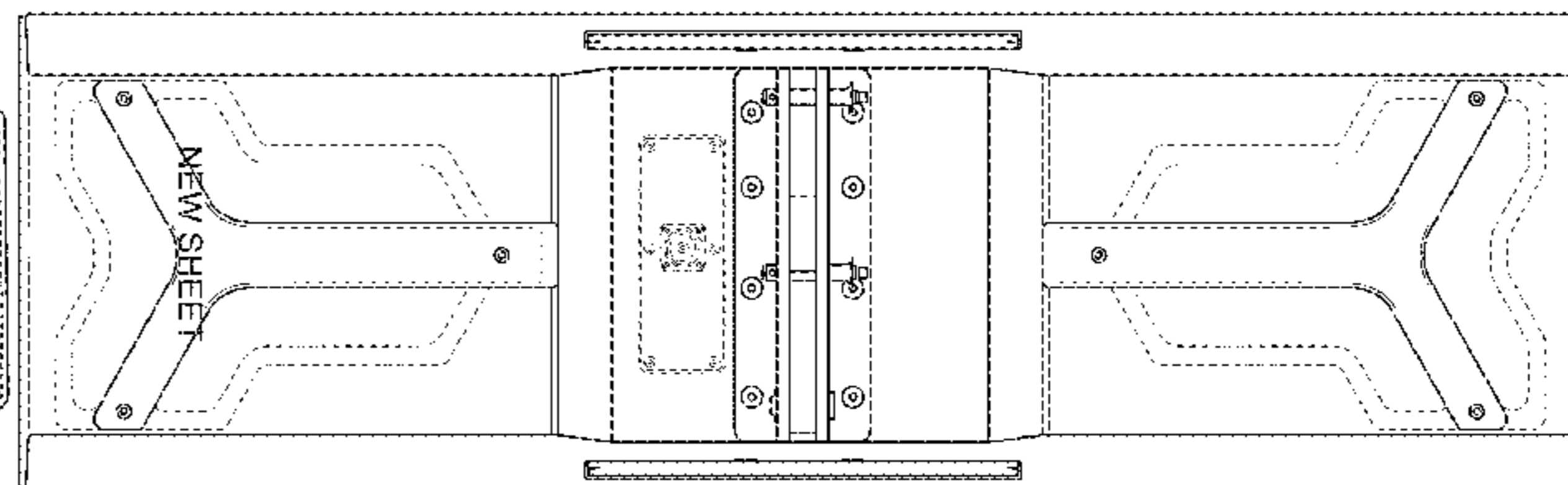
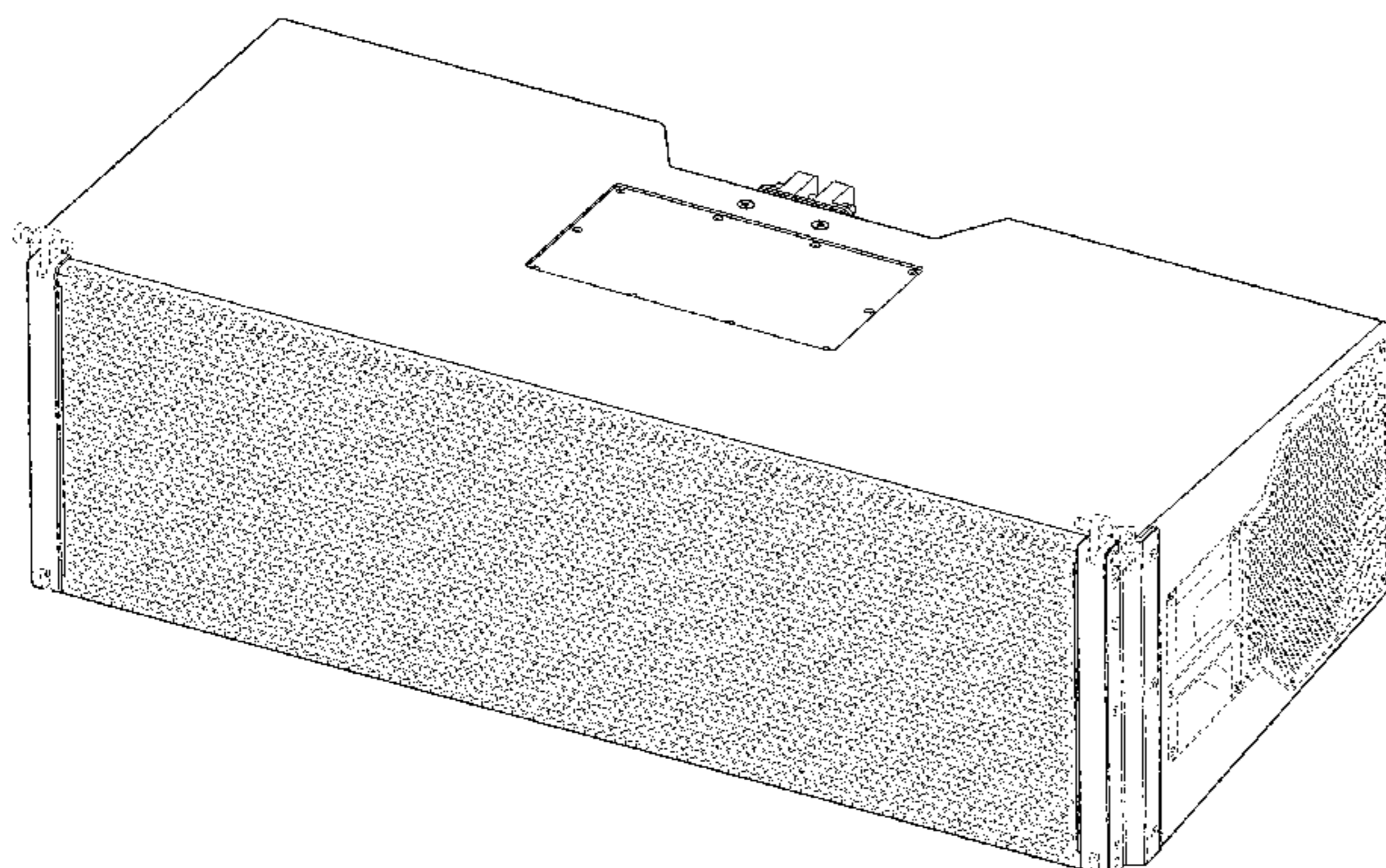
(57) **CLAIM**

The ornamental design for a loudspeaker, as shown and described.

DESCRIPTION

FIG. 1 is a front, left, top perspective view of a loudspeaker showing our new design;
FIG. 2 is a front view thereof;
FIG. 3 is a back view thereof;
FIG. 4 is a right side view thereof;
FIG. 5 is a left side view thereof;
FIG. 6 is a top view thereof; and,
FIG. 7 is a bottom view thereof.
Broken lines illustrate portions of the article that form no part of the claimed design.

1 Claim, 7 Drawing Sheets



(56)

References Cited

U.S. PATENT DOCUMENTS

D715,766 S	*	10/2014	Osborn	D14/210
D727,292 S	*	4/2015	Anthony	D14/214
D727,874 S	*	4/2015	Christner	D14/210
D739,386 S	*	9/2015	Gattinger	D14/210
D752,549 S	*	3/2016	Jakowski	D14/214
D762,618 S	*	8/2016	Lawrence	D14/214
D771,585 S	*	11/2016	Espinosa	D14/204
D776,639 S	*	1/2017	Carbone	D14/214
D799,445 S	*	10/2017	Carbone	D14/214
D803,187 S	*	11/2017	Gunnarsson	D14/214
D807,324 S	*	1/2018	Cheney	D14/214
D817,307 S	*	5/2018	Spillmann	D14/214
D822,634 S	*	7/2018	Zaihui	D14/204
D835,603 S	*	12/2018	Chen	D14/214
D836,603 S	*	12/2018	Warden	D14/214
D843,351 S	*	3/2019	Osborn	D14/214

OTHER PUBLICATIONS

InfoComm 2018: d&b audiotechnik Shows SL-Series GSL System Cardioid Directivity Large Form Speaker, YouTube.com, rAVe [PUBS], Published on Jun. 8, 2018, [online], [site visited Jun. 17, 2019]. URL: <https://www.youtube.com/watch?v=pLb6lhUUZLA> (Year: 2018).*

VTX A12W, JBLpro.com, [online], [site visited Jun. 17, 2019]. URL: <http://www.jblpro.com/www/products/tour-sound/vtx-a-series/vtx-a12w#.XQfG7TbrsSs> (Year: 2019).*

Electro-Voice EVU-2062/95-BLK, FullCompass.com, [online], [site visited Jun. 17, 2019]. URL: <https://www.fullcompass.com/prod/221302-electro-voice-evu-2062-95-blk-dual-65-2-way-loudspeaker-black> (Year: 2019).*

* cited by examiner

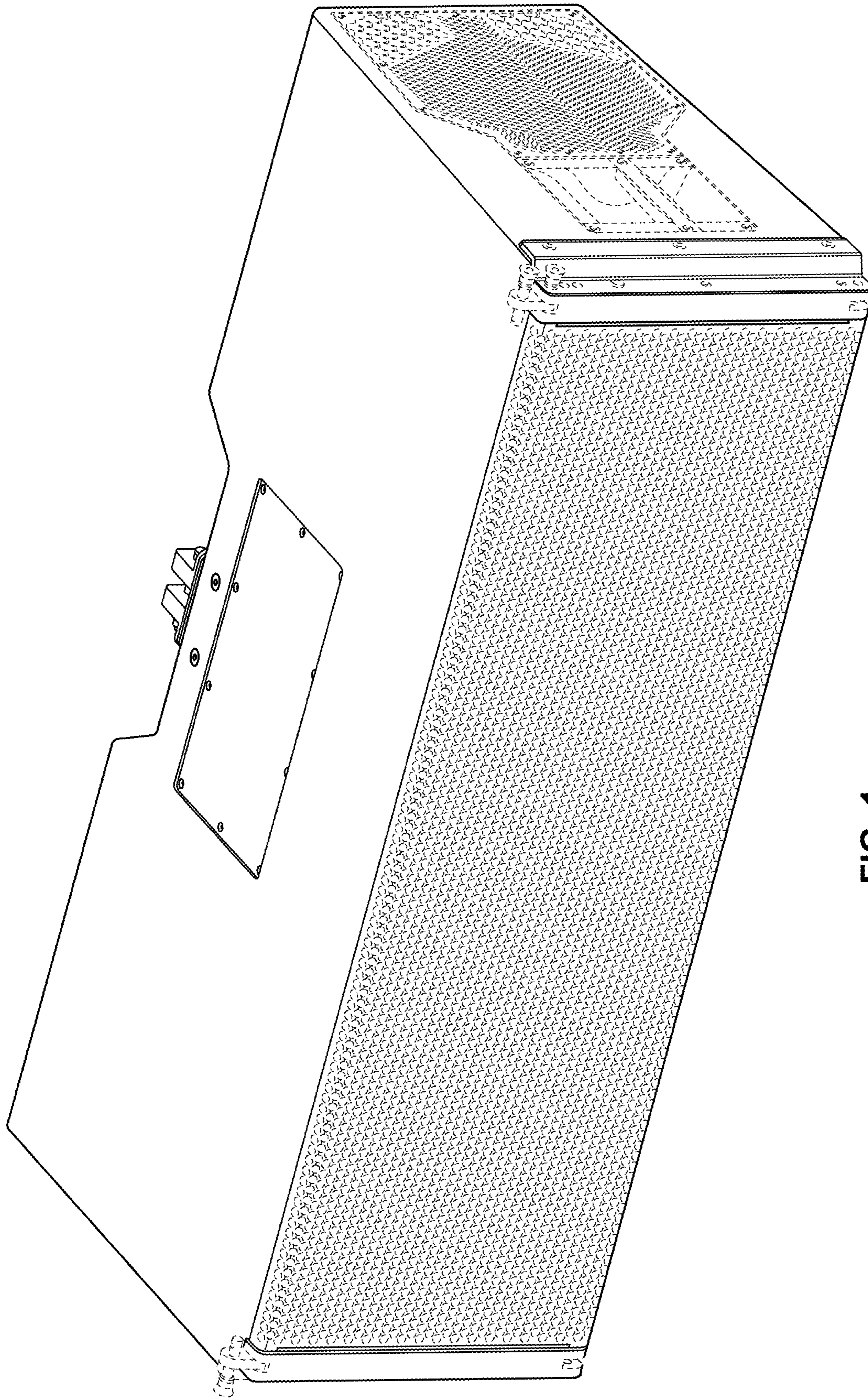


FIG. 1

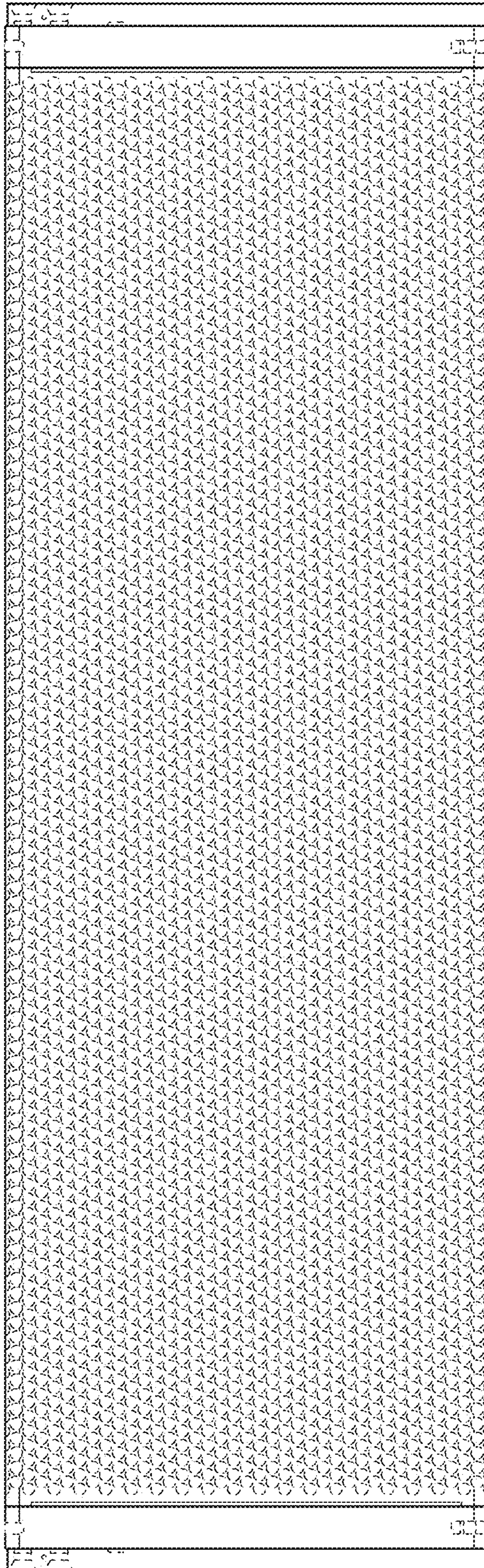


FIG. 2

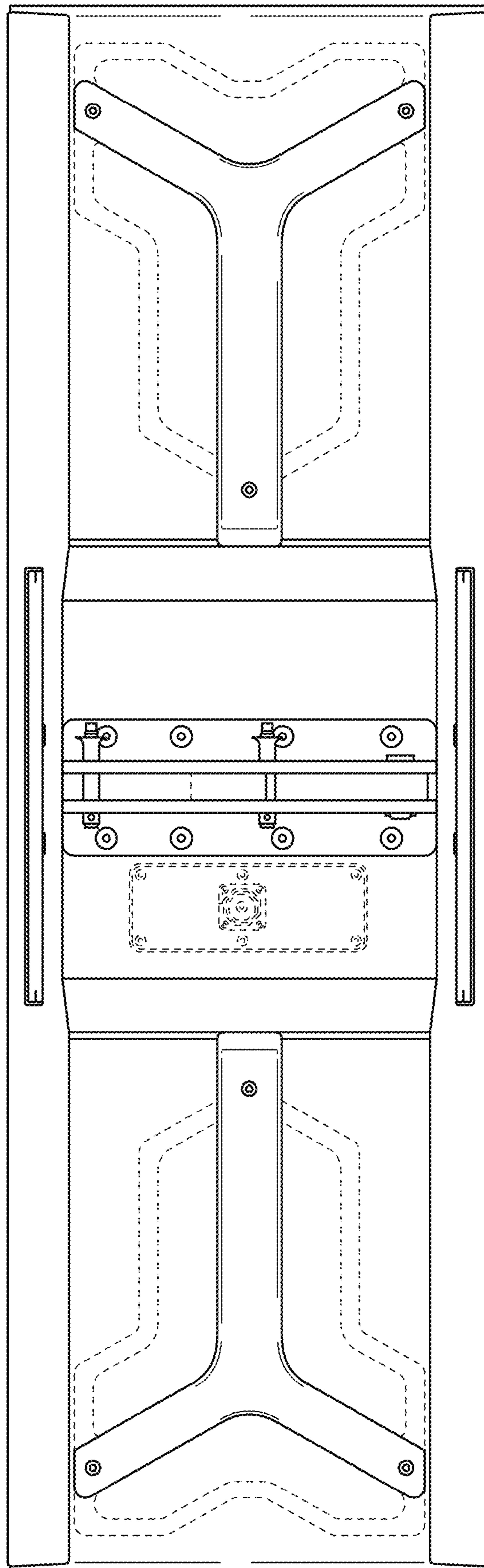


FIG. 3

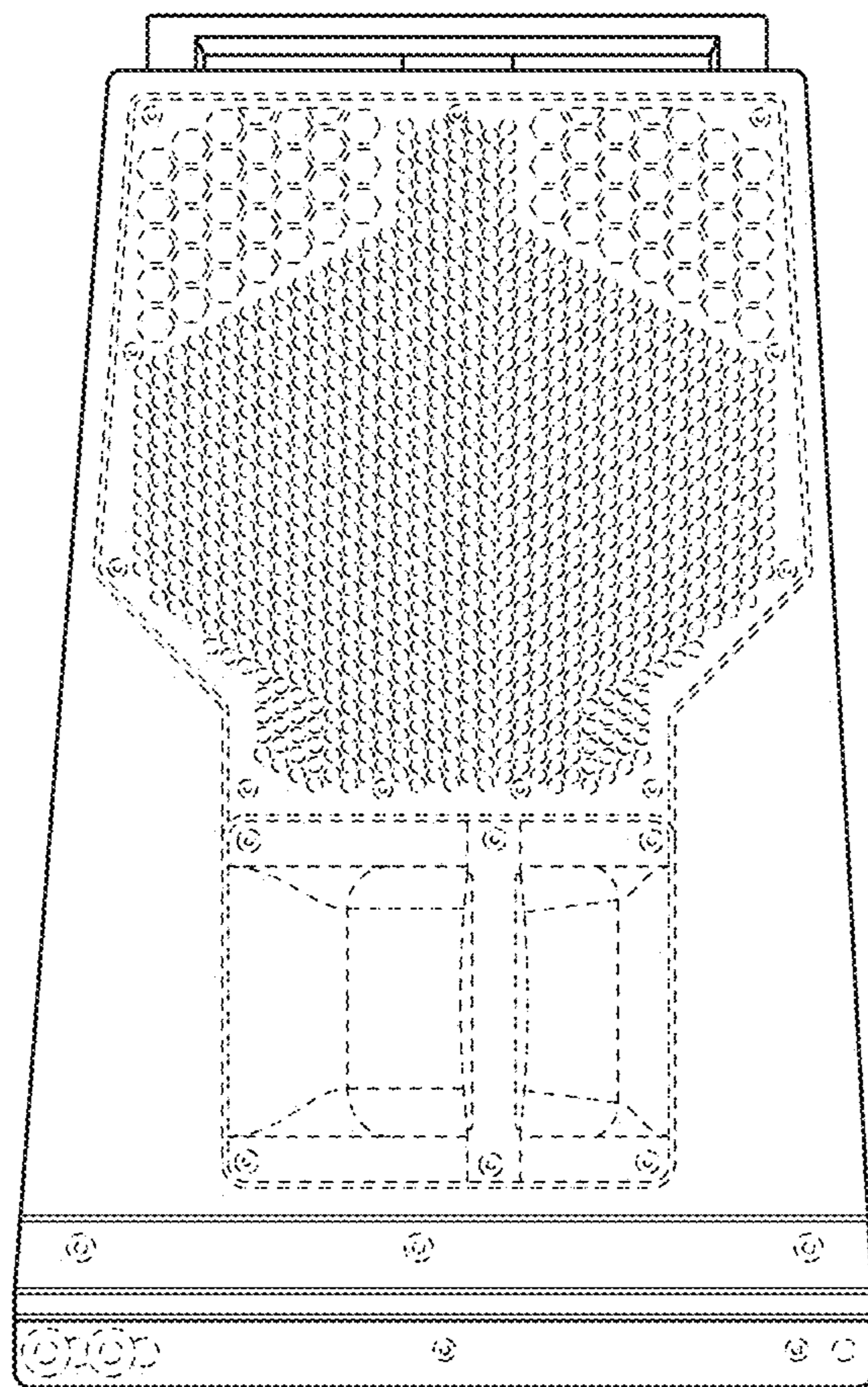


FIG. 4

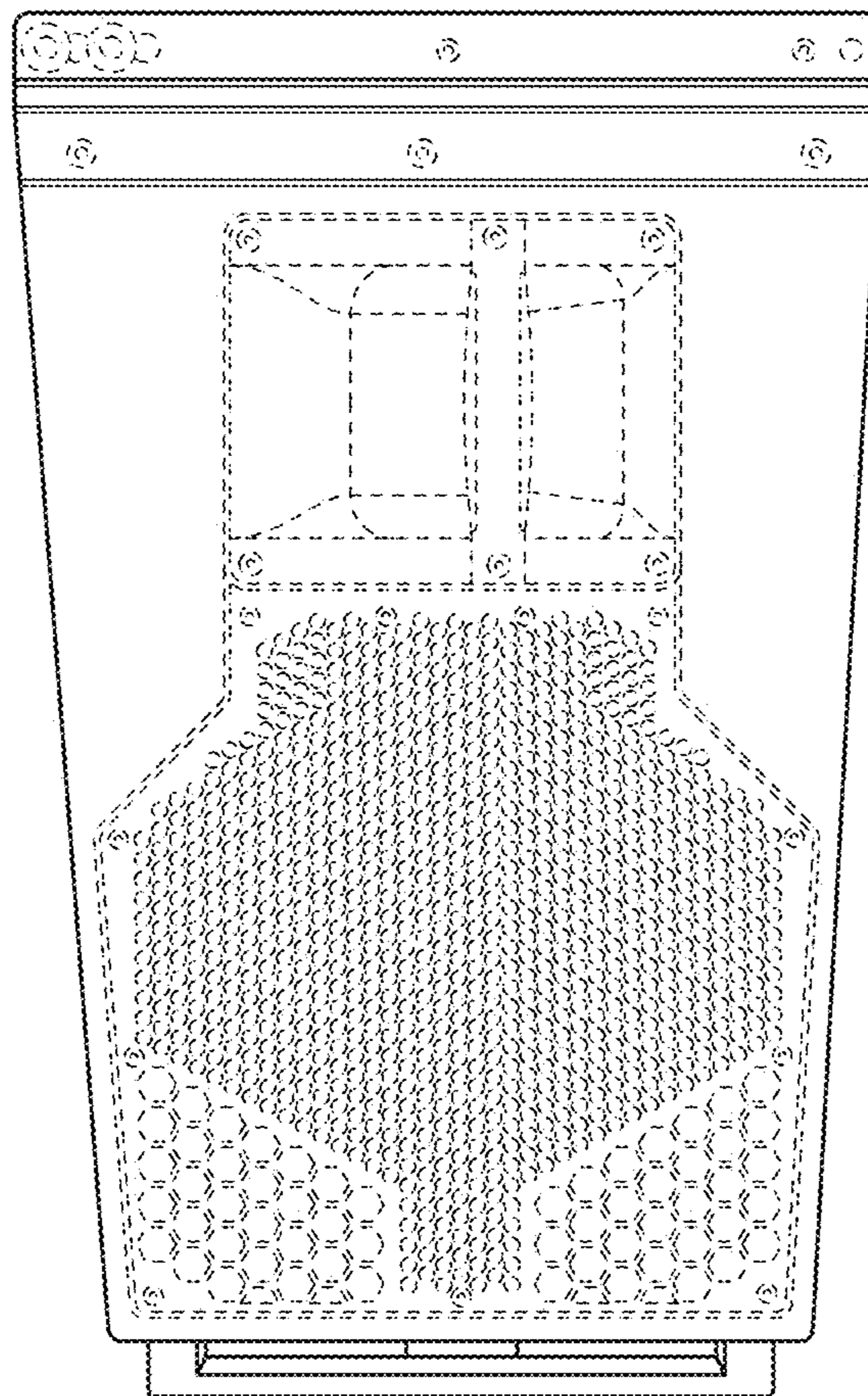


FIG. 5

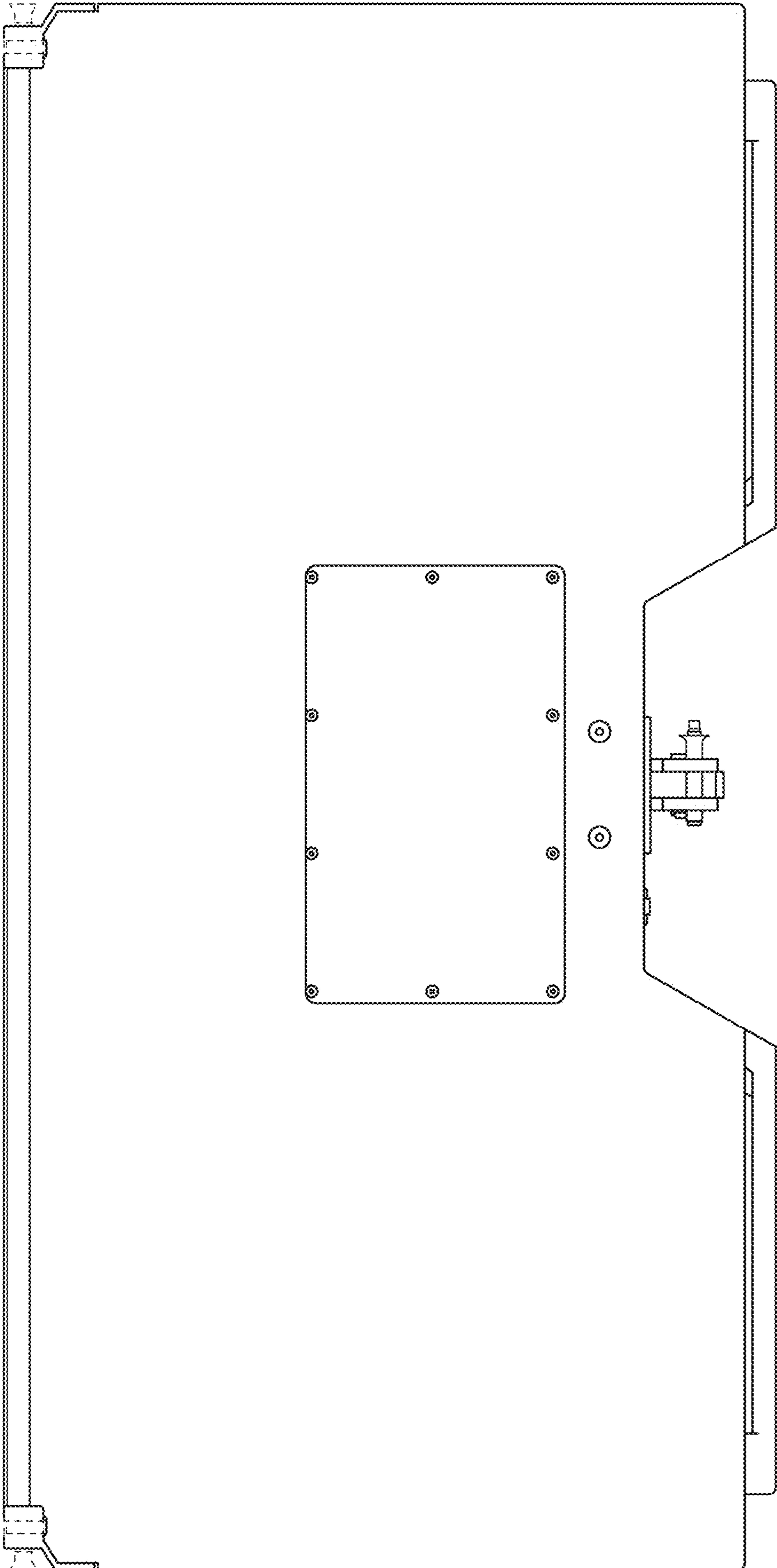


FIG. 6

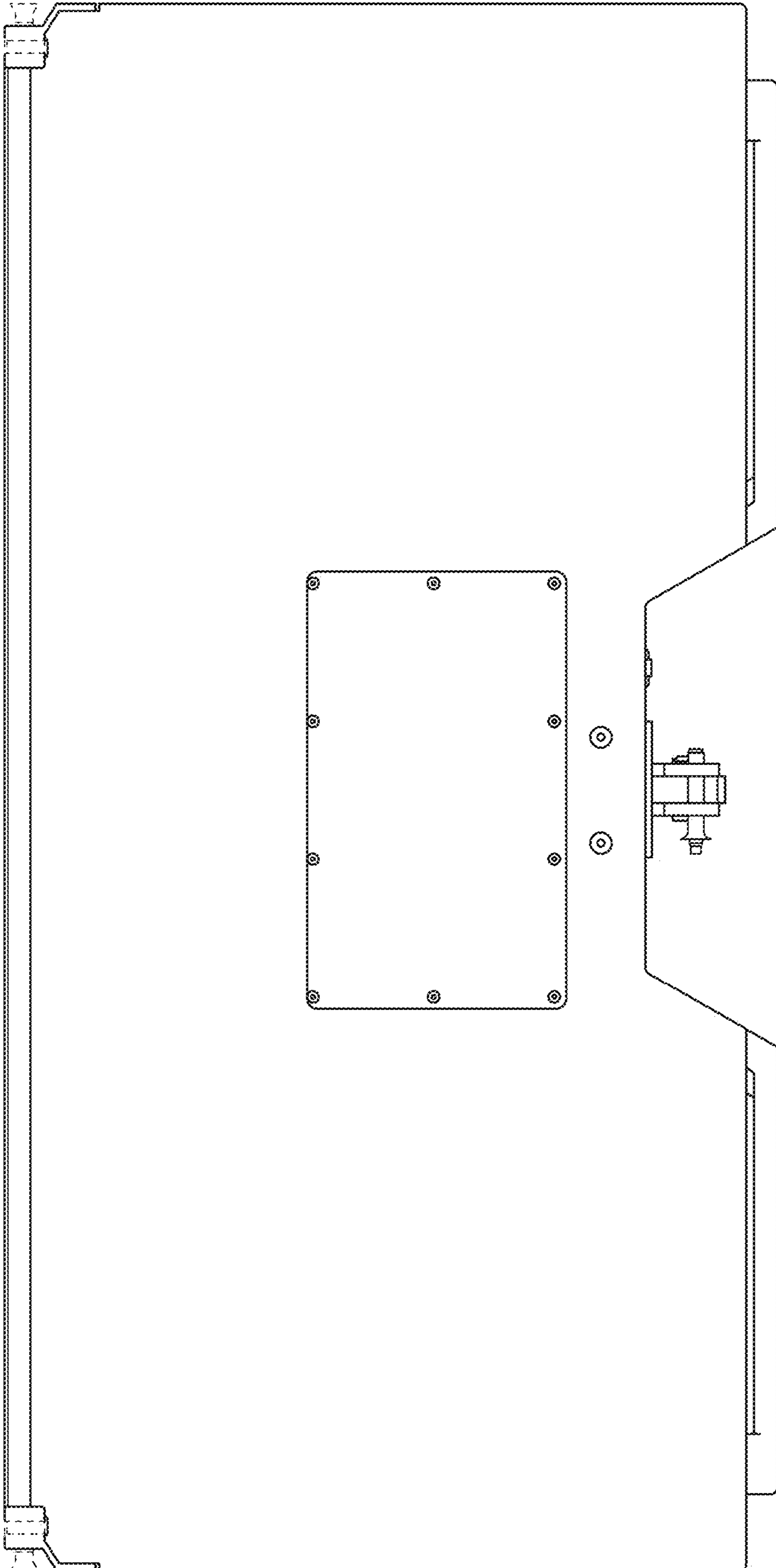


FIG. 7