



US00D881157S

(12) **United States Design Patent**
Chen

(10) **Patent No.:** **US D881,157 S**
(45) **Date of Patent:** **** Apr. 14, 2020**

- (54) **HEADSET**
- (71) Applicant: **Canmin Chen**, Puning (CN)
- (72) Inventor: **Canmin Chen**, Puning (CN)
- (**) Term: **15 Years**
- (21) Appl. No.: **29/671,752**
- (22) Filed: **Nov. 29, 2018**

Related U.S. Application Data

- (62) Division of application No. 29/614,503, filed on Aug. 21, 2017, now Pat. No. Des. 842,270.
- (51) **LOC (12) Cl.** **14-01**
- (52) **U.S. Cl.**
USPC **D14/205**
- (58) **Field of Classification Search**
USPC D14/205, 188, 192, 249; D29/112;
2/209; 181/129, 130, 135; 379/430, 431;
381/380, 381, 374; 455/90.3, 575.1,
455/569.1
CPC H04R 25/00; H04R 25/02; H04R 1/1066;
H04R 1/1016; H04R 5/033; H04R
5/0335; H04R 1/105
See application file for complete search history.

(56) **References Cited**

U.S. PATENT DOCUMENTS

- 1,401,753 A * 12/1921 Boissonnault H04R 1/1066
381/340
- 2,672,864 A * 3/1954 Makara A61F 11/14
128/866
- 3,272,926 A * 9/1966 Falkenberg H04R 1/1008
381/372
- 3,815,155 A * 6/1974 Davison A42B 3/166
2/209
- 4,471,496 A * 9/1984 Gardner, Jr. A61F 11/14
2/209

- 5,018,599 A * 5/1991 Dohi H04R 1/1008
181/129
- D317,767 S * 6/1991 Banks D14/205
- D328,074 S * 7/1992 Yamazaki D14/205
- D328,299 S * 7/1992 Gasparaitis D14/219
- D346,802 S * 5/1994 Sacherman D14/206
- 5,369,857 A * 12/1994 Sacherman H04R 5/0335
29/594
- D373,360 S * 9/1996 Kanno D14/205
- D377,021 S * 12/1996 Isono D14/205
- D394,062 S * 5/1998 Chun D14/192
- D449,290 S * 10/2001 Taylor D14/206
- D465,469 S * 11/2002 Heath D10/104.1
- D484,485 S * 12/2003 Matsuoka D14/205
- D504,414 S * 4/2005 Yoshida D14/192
- D505,411 S * 5/2005 Sakai D14/192

(Continued)

FOREIGN PATENT DOCUMENTS

EM 004136489-0004 * 8/2017

Primary Examiner — Paul Allen Greene

(57) **CLAIM**

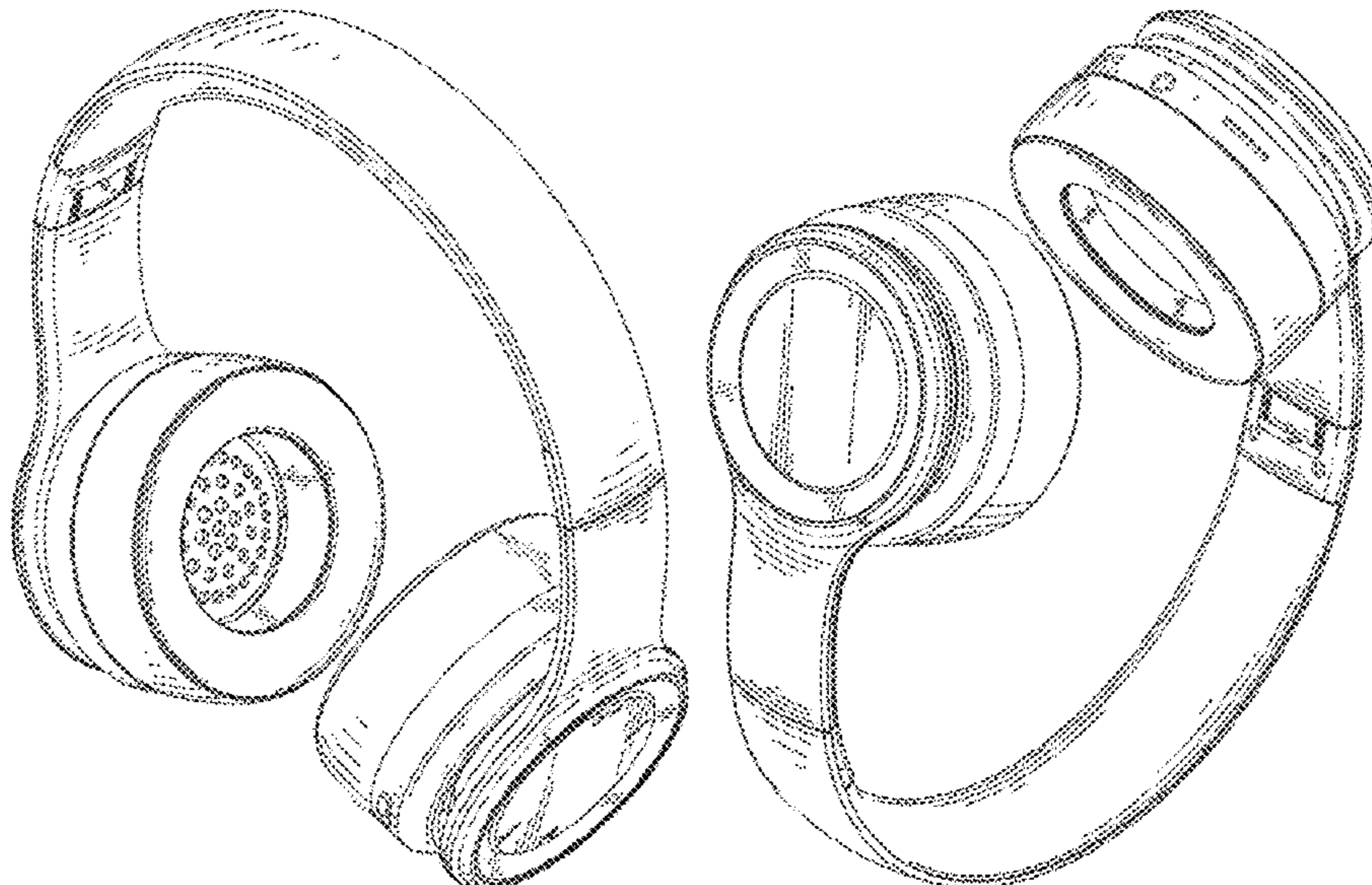
The ornamental design for a headset, as shown and described.

DESCRIPTION

FIG. 1 is a first perspective view of a headset showing my new design;
 FIG. 2 is a second perspective view thereof;
 FIG. 3 is a front elevational view thereof;
 FIG. 4 is a rear elevational view thereof;
 FIG. 5 is a left elevational view thereof;
 FIG. 6 is a right elevational view thereof;
 FIG. 7 is a top plan view thereof; and,
 FIG. 8 is a bottom plan view thereof.

The broken lines immediately adjacent to the claimed portions are boundaries, all other broken lines are environmental structures; all the broken lines form no part of the claimed design.

1 Claim, 8 Drawing Sheets



(56)

References Cited

U.S. PATENT DOCUMENTS

D514,087 S * 1/2006 Wilson D14/206
 D534,155 S * 12/2006 Obata D14/205
 D552,077 S * 10/2007 Brunner D14/205
 D557,684 S * 12/2007 Pundsack D14/205
 D573,581 S * 7/2008 Gondo D14/205
 D582,890 S * 12/2008 Koza D14/205
 D583,800 S * 12/2008 Jaakkola D14/205
 D584,715 S * 1/2009 Brennwald D14/205
 D585,871 S * 2/2009 Lee D14/205
 D588,098 S * 3/2009 Kurihara D14/205
 D588,100 S * 3/2009 Densho D14/205
 D592,640 S * 5/2009 Tkachuk D14/205
 D603,370 S * 11/2009 Suzuki D14/205
 D603,371 S * 11/2009 Boateng D14/205
 D625,705 S * 10/2010 Ohori D14/205
 D632,668 S * 2/2011 Brunner D14/205
 D637,176 S * 5/2011 Brunner D14/205
 D637,579 S * 5/2011 Hamaura D14/205
 D641,727 S * 7/2011 Krauss D14/206
 D644,211 S * 8/2011 Hao D14/219
 8,085,966 B2 * 12/2011 Amsel H04R 1/025
 381/370
 D652,406 S * 1/2012 Lee D14/205
 D657,344 S * 4/2012 Brunner D14/205
 D657,776 S * 4/2012 Lee D14/205
 D660,823 S * 5/2012 Hardi D14/205
 D660,824 S * 5/2012 Hardi D14/205
 D663,716 S * 7/2012 Hardi D14/205
 D664,118 S * 7/2012 Tappeiner D14/205
 D673,520 S * 1/2013 Tan D14/205
 D683,329 S * 5/2013 Hagelin D14/205
 D686,592 S * 7/2013 Gondo D14/205
 D691,579 S * 10/2013 Lee D14/205
 D692,410 S * 10/2013 Brunner H04R 1/1008
 D14/206
 8,620,007 B2 * 12/2013 Lee H03G 3/02
 381/104

D708,162 S * 7/2014 Wenger H04S 1/005
 D14/205
 D717,766 S * 11/2014 Mchatet D14/205
 8,923,525 B2 * 12/2014 Saideh H04R 1/1033
 381/309
 D720,720 S * 1/2015 Yu D14/205
 D722,302 S * 2/2015 Lee D14/205
 D727,289 S * 4/2015 Czaniecki D14/205
 D737,799 S * 9/2015 Carr D14/205
 D738,850 S * 9/2015 Chung D14/205
 D739,378 S * 9/2015 Chung D14/205
 D739,842 S * 9/2015 Birger D14/205
 D743,934 S * 11/2015 Komagamine D14/205
 D750,040 S * 2/2016 Nohr D14/205
 D750,041 S * 2/2016 Birger D14/205
 D752,017 S * 3/2016 Daniel D14/205
 D759,626 S * 6/2016 Wagner D14/205
 D763,226 S * 8/2016 Petersen D14/205
 D771,012 S * 11/2016 Wagner D14/205
 D772,193 S * 11/2016 Garan D14/205
 D782,120 S * 3/2017 Patel D29/122
 D806,675 S * 1/2018 Fuglsang D14/206
 D806,676 S * 1/2018 Fuglsang D14/206
 D809,478 S * 2/2018 Arimoto D14/205
 D812,035 S * 3/2018 Petersen D14/205
 D832,233 S * 10/2018 Brunner H04R 1/1008
 D14/205
 D838,687 S * 1/2019 Wu D14/205
 D842,270 S * 3/2019 Chen D14/205
 10,250,966 B2 * 4/2019 Zheng H04R 1/1066
 D869,437 S * 12/2019 Hu D14/205
 2003/0103637 A1 * 6/2003 Huang H04R 1/1075
 381/309
 2012/0039481 A1 * 2/2012 McClain H04R 1/1066
 381/74
 2012/0140973 A1 * 6/2012 Olodort H04R 1/1066
 381/375
 2016/0073200 A1 * 3/2016 Yoo H04R 5/0335
 381/311

* cited by examiner

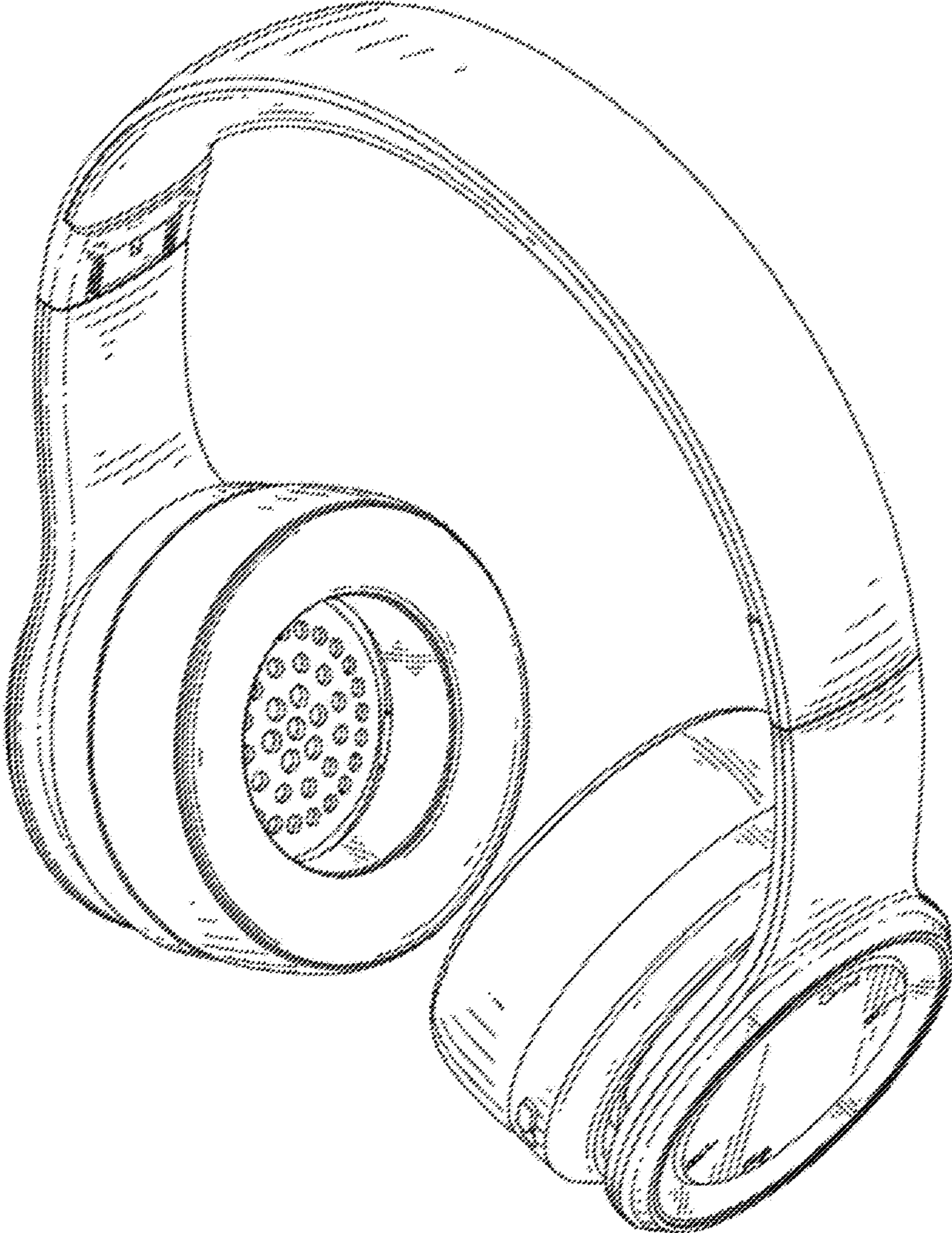


FIG. 1

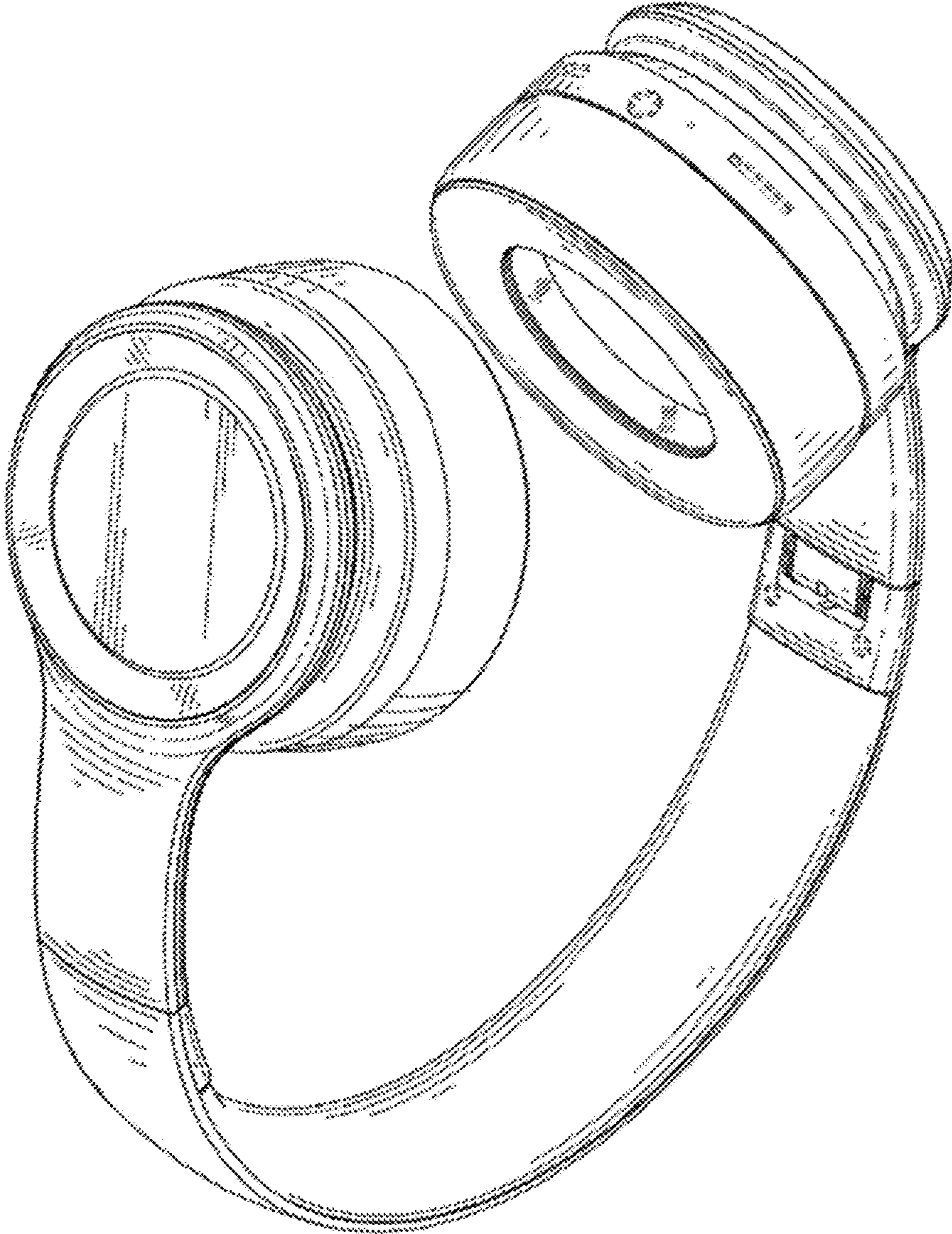


FIG. 2



FIG. 3

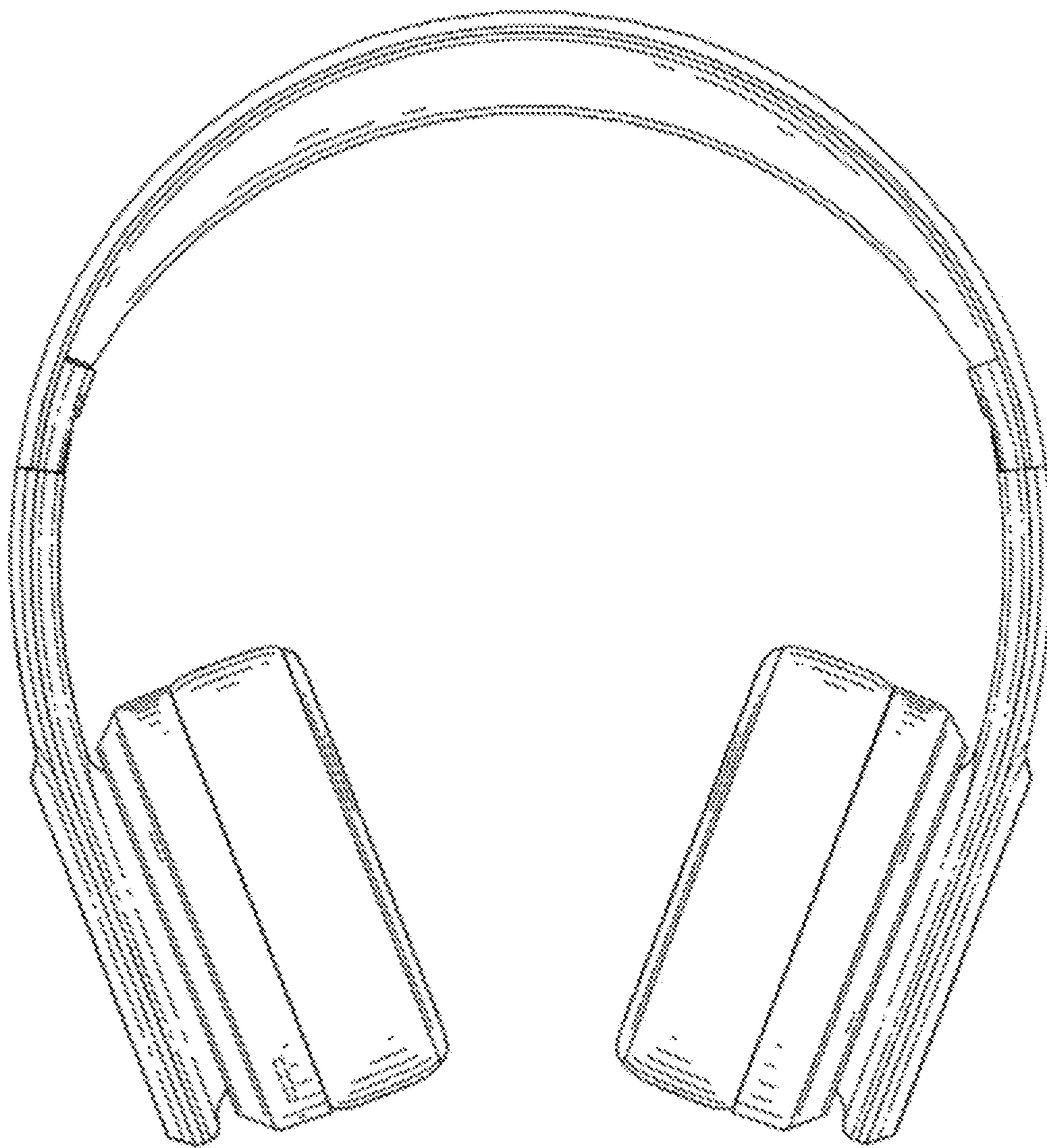


FIG. 4

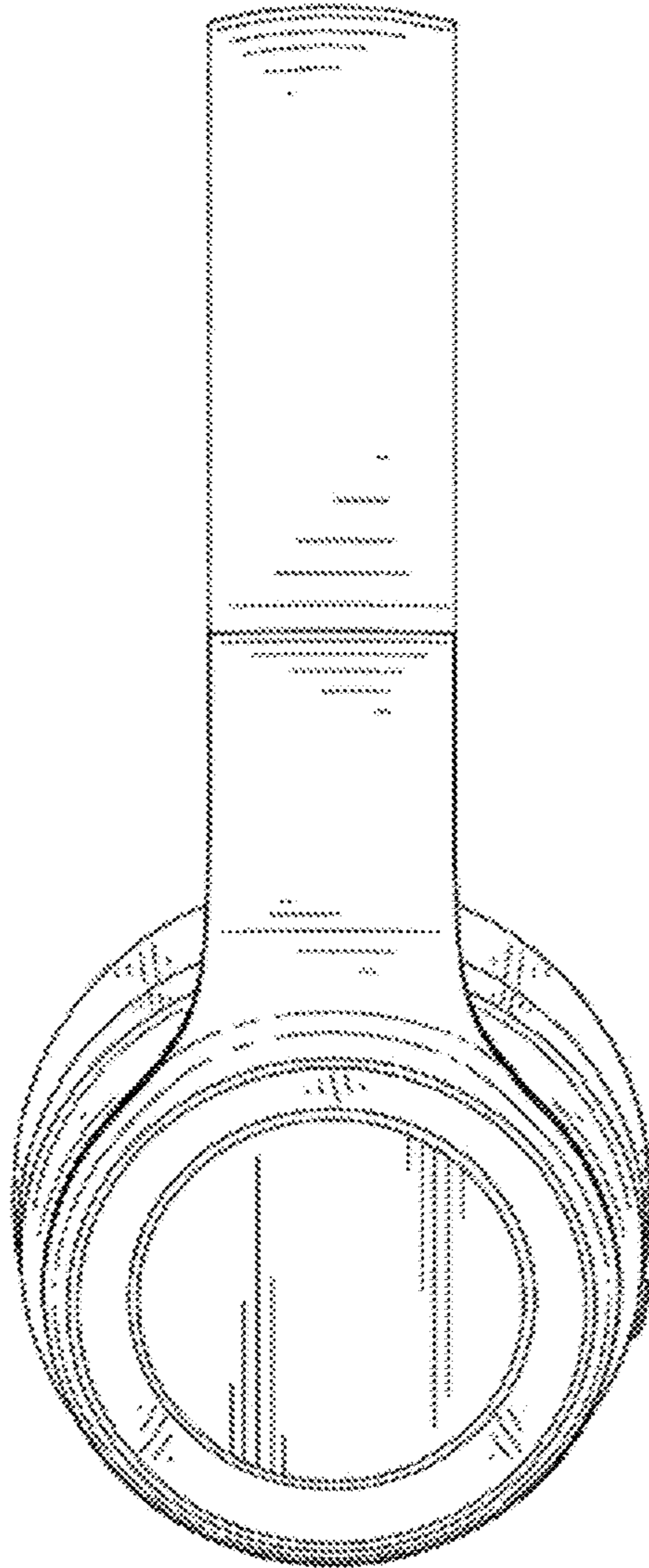


FIG. 5

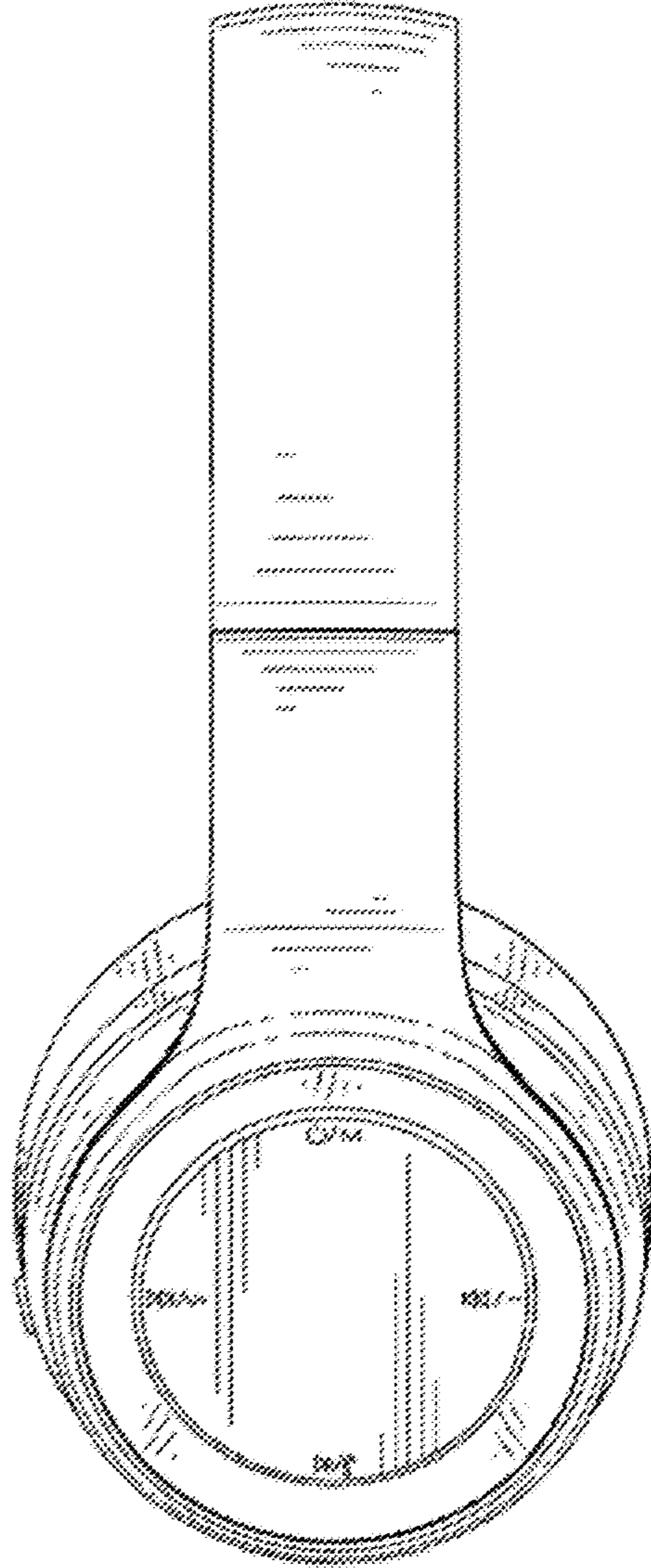


FIG. 6

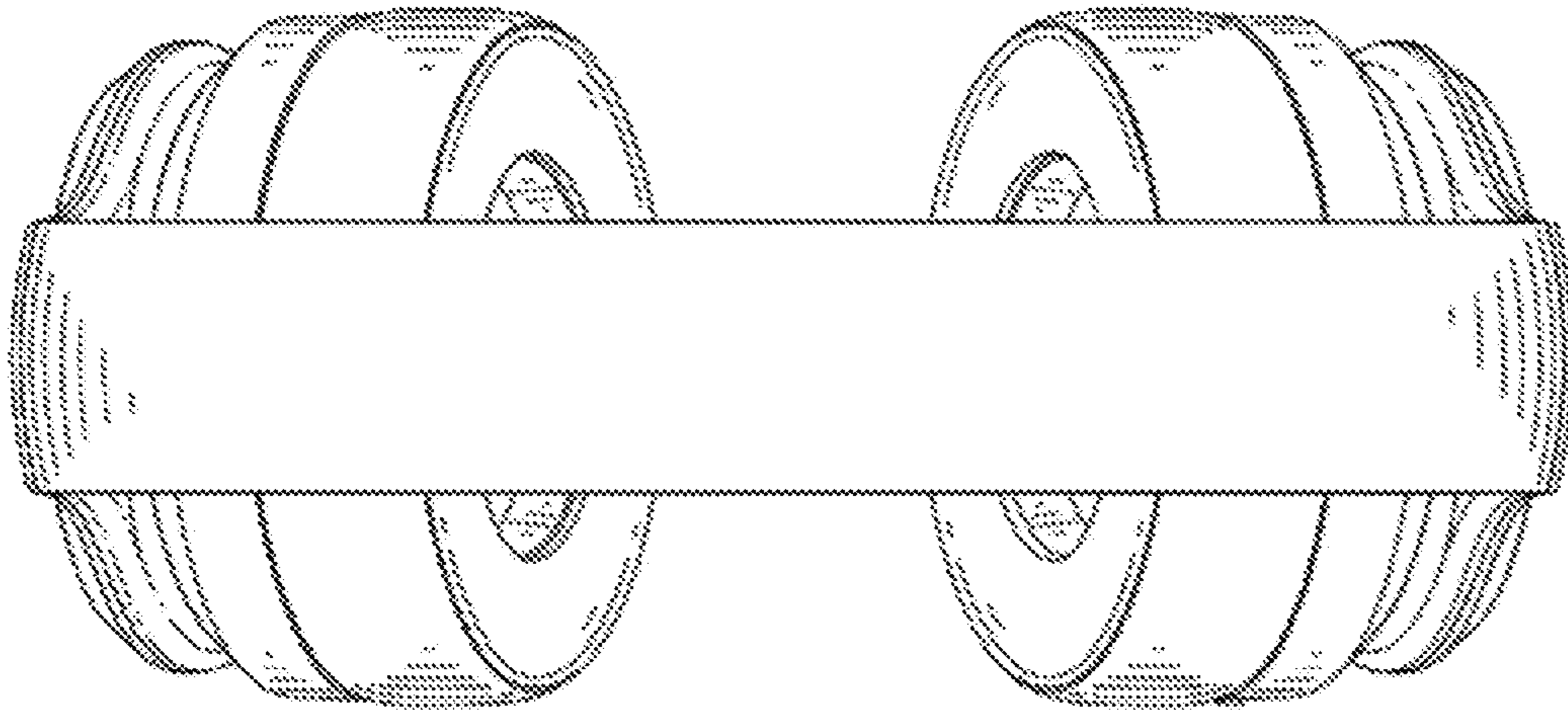


FIG. 7

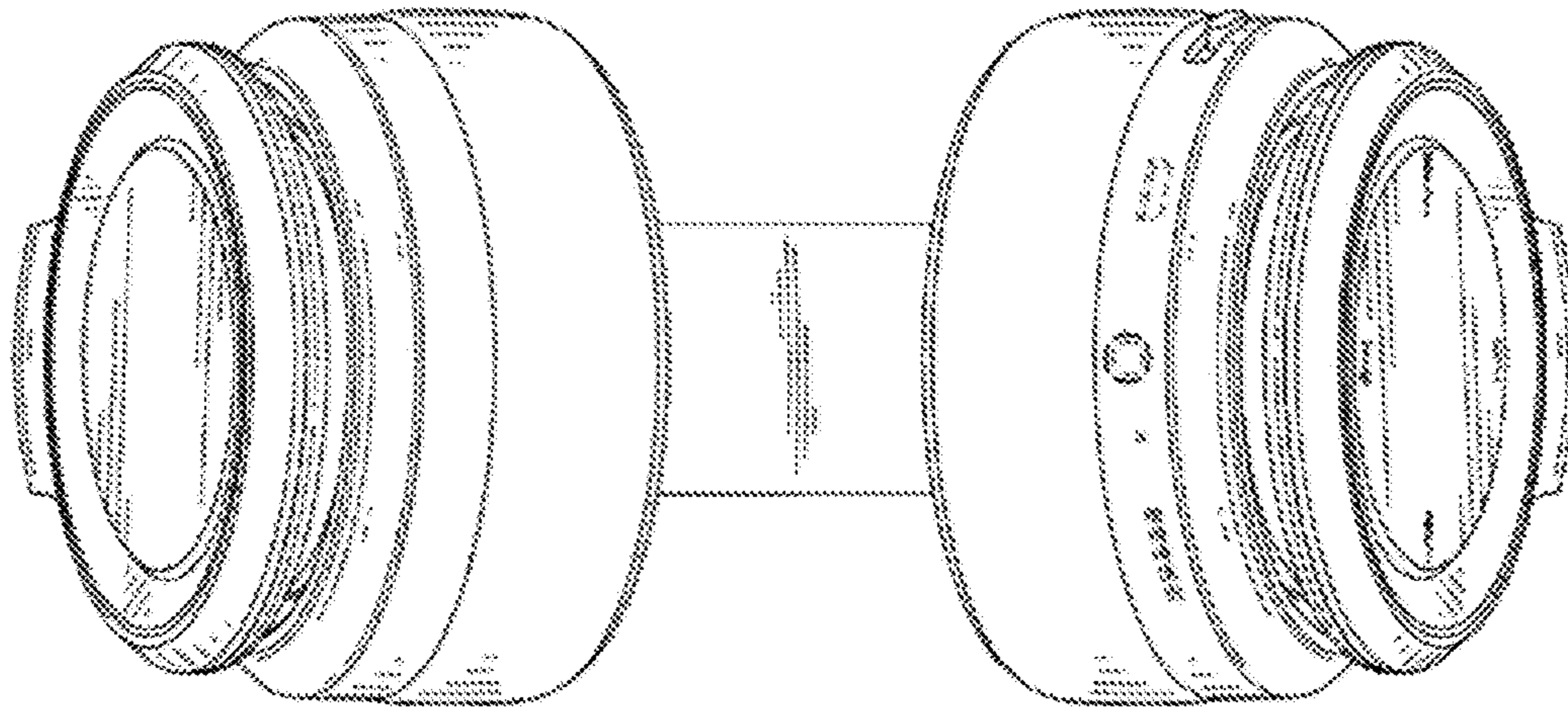


FIG. 8