



US00D881154S

(12) **United States Design Patent**
Guo

(10) **Patent No.:** **US D881,154 S**

(45) **Date of Patent:** **** Apr. 14, 2020**

(54) **BABY MONITOR**

(71) Applicant: **Shenzhen Cnest Electronic Technology Co., Ltd., Shenzhen (CN)**

(72) Inventor: **Lei Guo, Shenzhen (CN)**

(73) Assignee: **Shenzhen Cnest Electronic Technology Co., Ltd., Shenzhen (CN)**

(**) Term: **15 Years**

(21) Appl. No.: **29/685,614**

(22) Filed: **Mar. 29, 2019**

(51) **LOC (12) Cl.** **14-03**

(52) **U.S. Cl.**
USPC **D14/159**

(58) **Field of Classification Search**
USPC D14/167, 154, 168, 188, 496, 156, 160,
D14/161, 162, 163, 164, 165, 158, 253,
D14/192, 159, 155, 138 AB, 137, 104.1;
455/351, 350, 353; D10/104, 106, 65,
D10/78; 340/573.4, 573.1
CPC . G06F 3/16; G08B 3/00; H04M 11/00; H04N
7/14; H04N 7/26
See application file for complete search history.

(56) **References Cited**

U.S. PATENT DOCUMENTS

D605,165 S * 12/2009 Sheba D14/203.7
D637,174 S * 5/2011 Elkerbout D14/159
D665,767 S * 8/2012 Hancock D14/159
D675,584 S * 2/2013 Sharp D14/126

D789,905 S * 6/2017 Liu D14/159
D795,833 S * 8/2017 Zhou D14/159
D813,222 S * 3/2018 Driscoll D14/299
D860,966 S * 9/2019 Deng D14/159
D861,631 S * 10/2019 Gan D14/159
D868,020 S * 11/2019 Deng D14/159

* cited by examiner

Primary Examiner — Austin Murphy

(74) *Attorney, Agent, or Firm* — ScienBiziP, P.C.

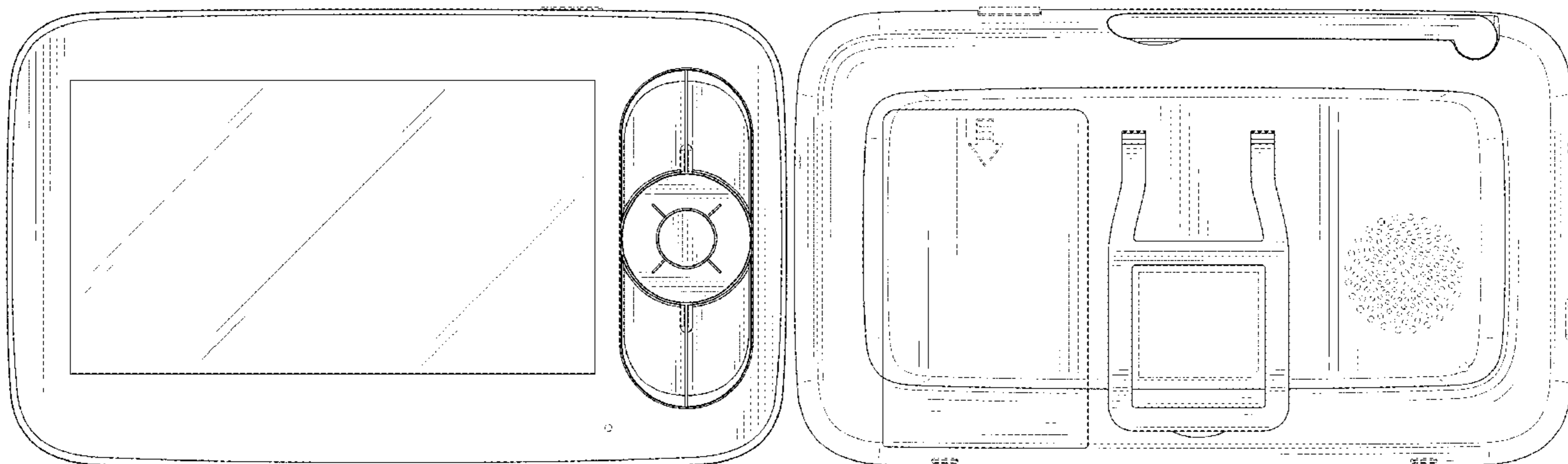
(57) **CLAIM**

The ornamental design for a baby monitor, as shown and described.

DESCRIPTION

FIG. 1 is a first perspective view of a baby monitor, showing my design.
FIG. 2 is a second perspective view thereof.
FIG. 3 is a front elevation view thereof.
FIG. 4 is a rear elevation view thereof.
FIG. 5 is a left side elevation view thereof.
FIG. 6 is a right side elevation view thereof.
FIG. 7 is a top plan view thereof.
FIG. 8 is a bottom plan view thereof.
FIG. 9 is a perspective view of the baby monitor showing the status when the antenna and bracket are open; and,
FIG. 10 is an enlarged view of a circle labeled 10 in FIG. 1 of the baby monitor.
The broken lines are for environmental structures, boundaries, or illustrative purposes only and form no part of the claimed design to be patented.

1 Claim, 10 Drawing Sheets



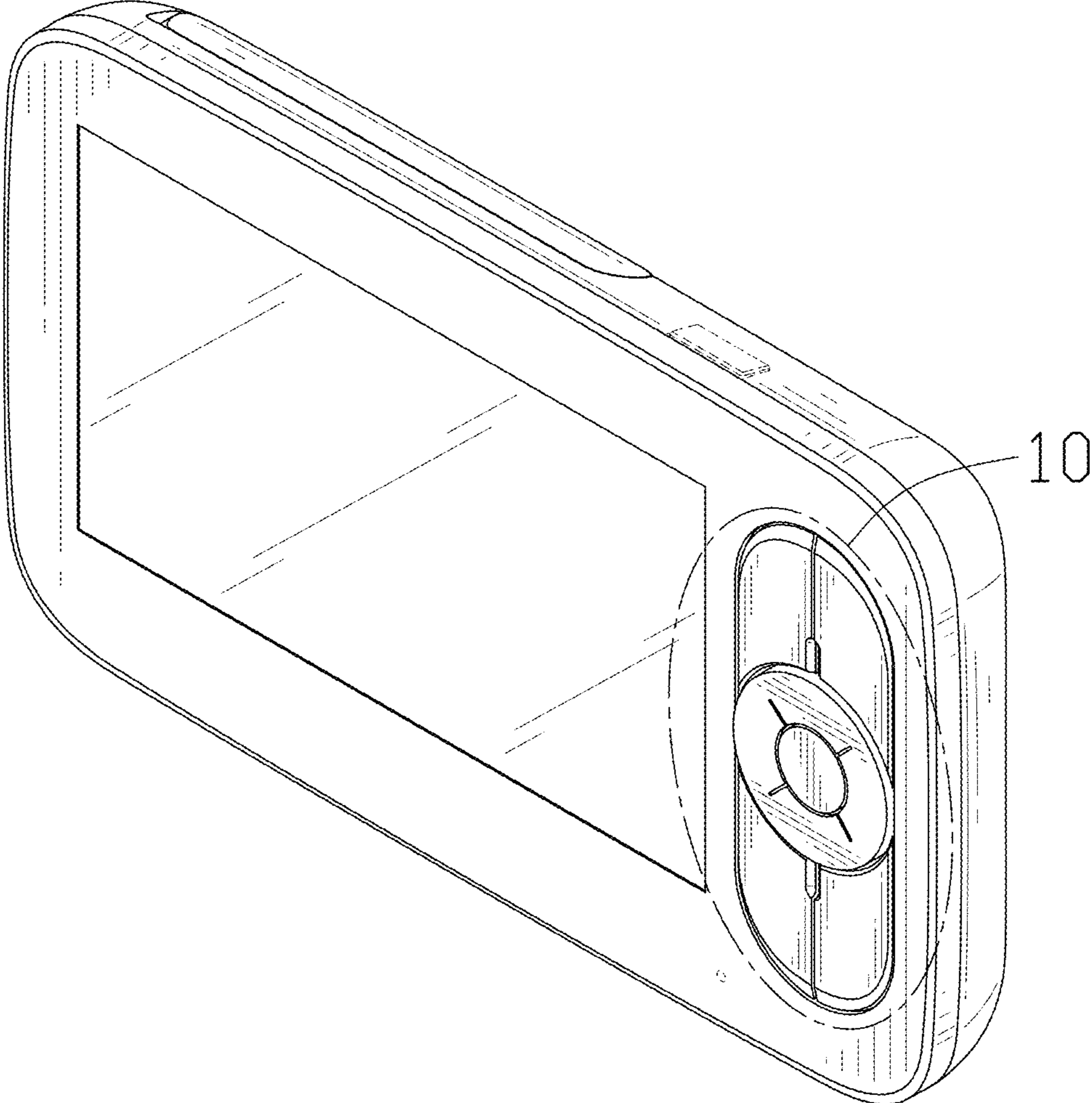


FIG. 1

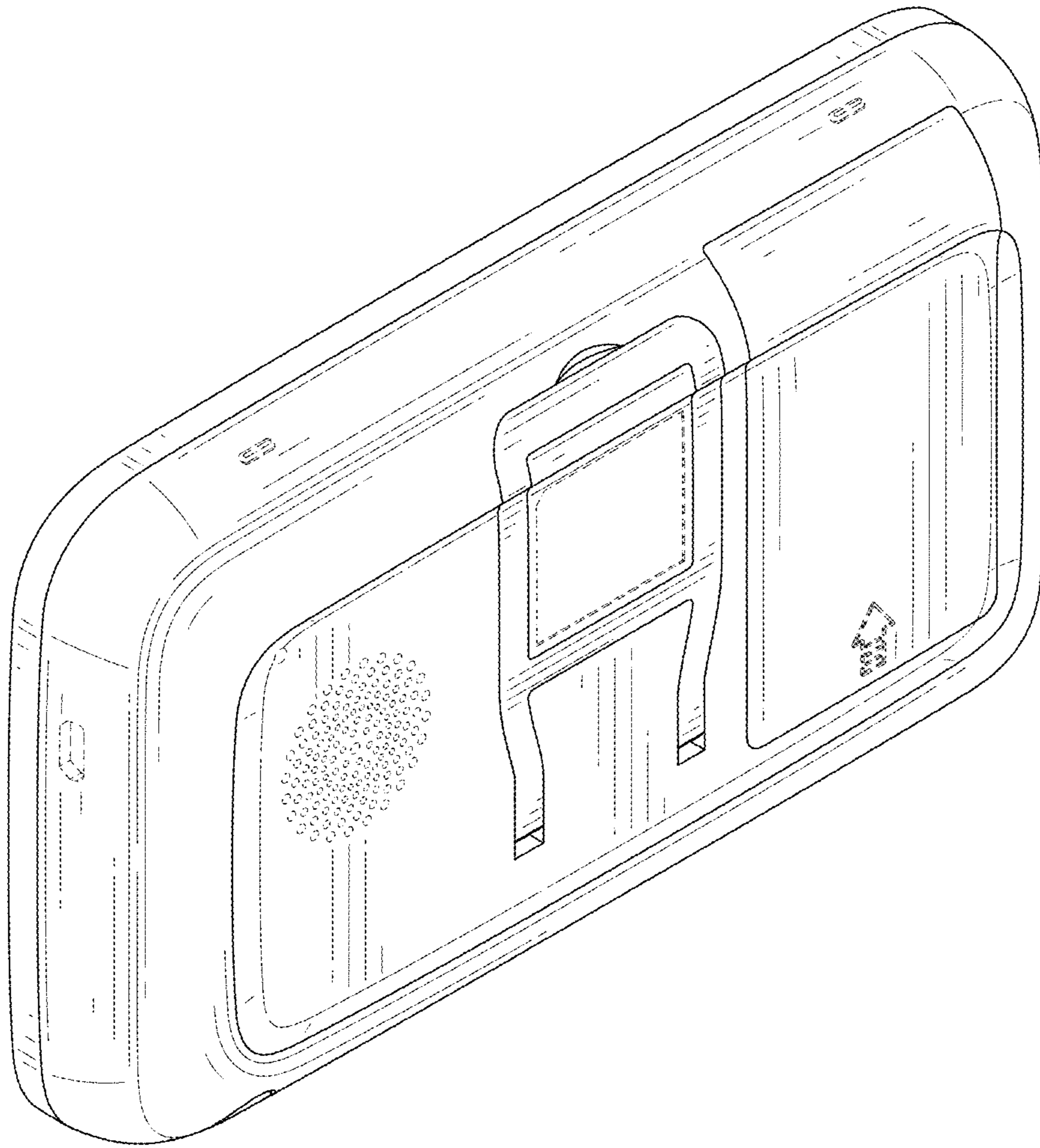


FIG. 2

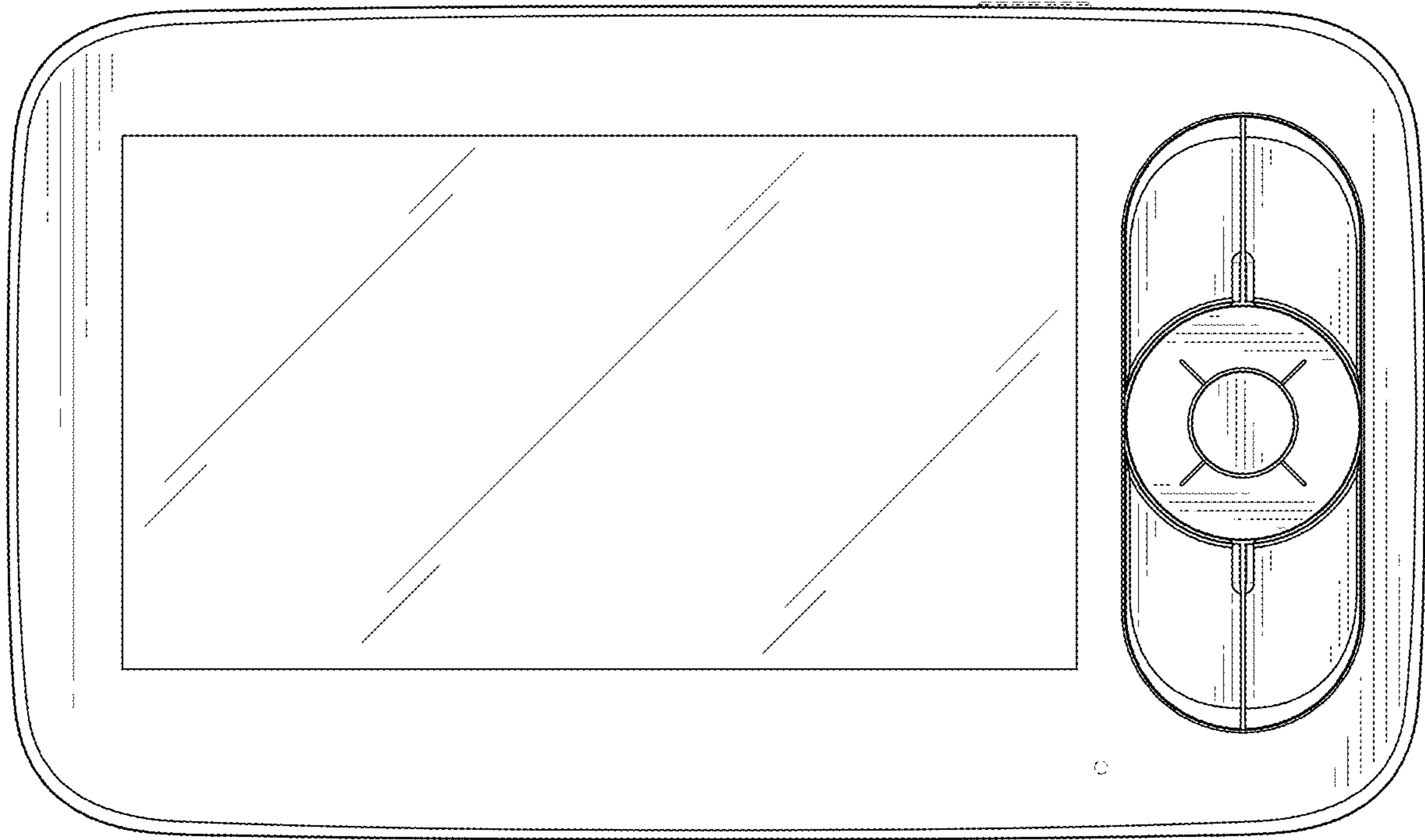


FIG. 3

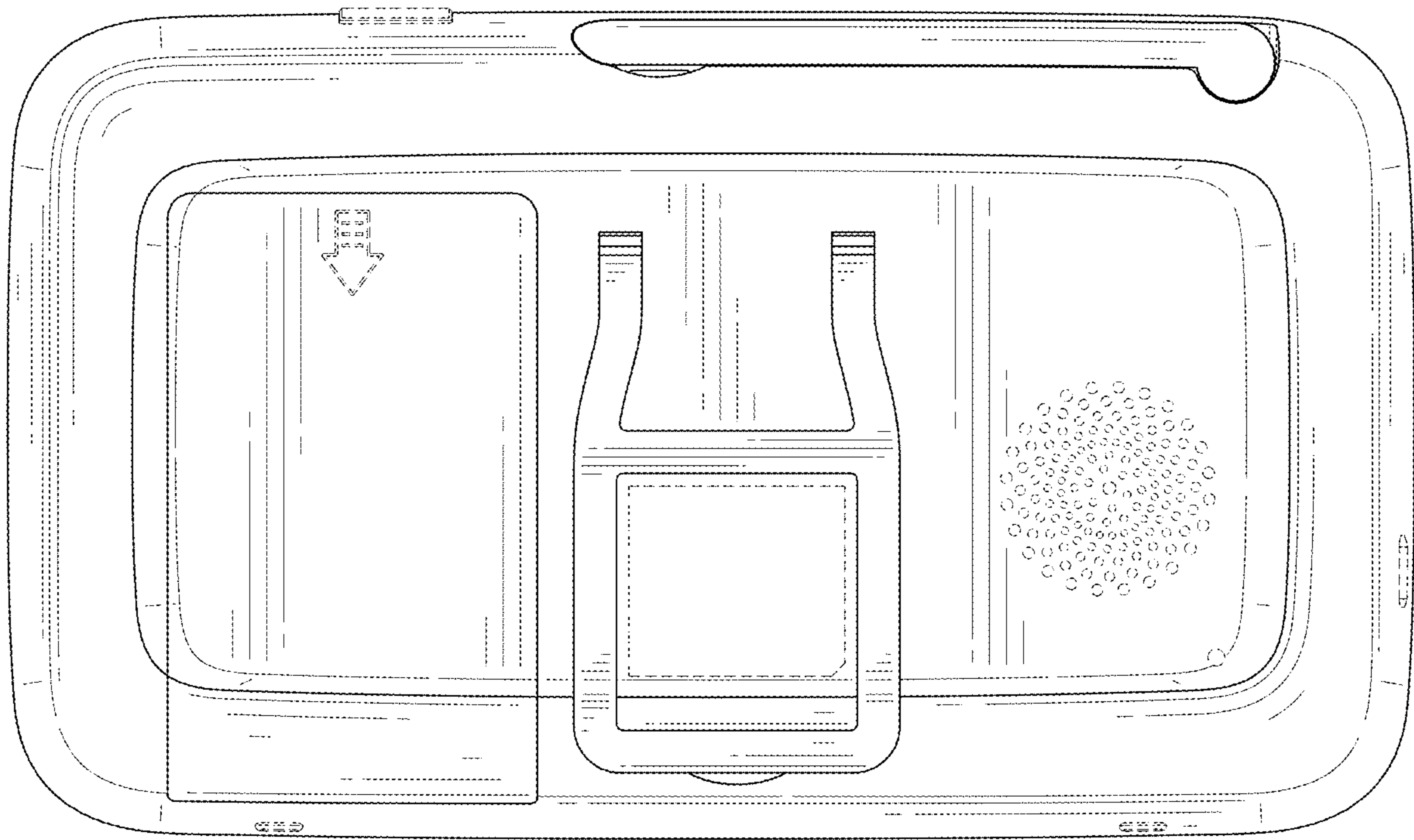


FIG. 4

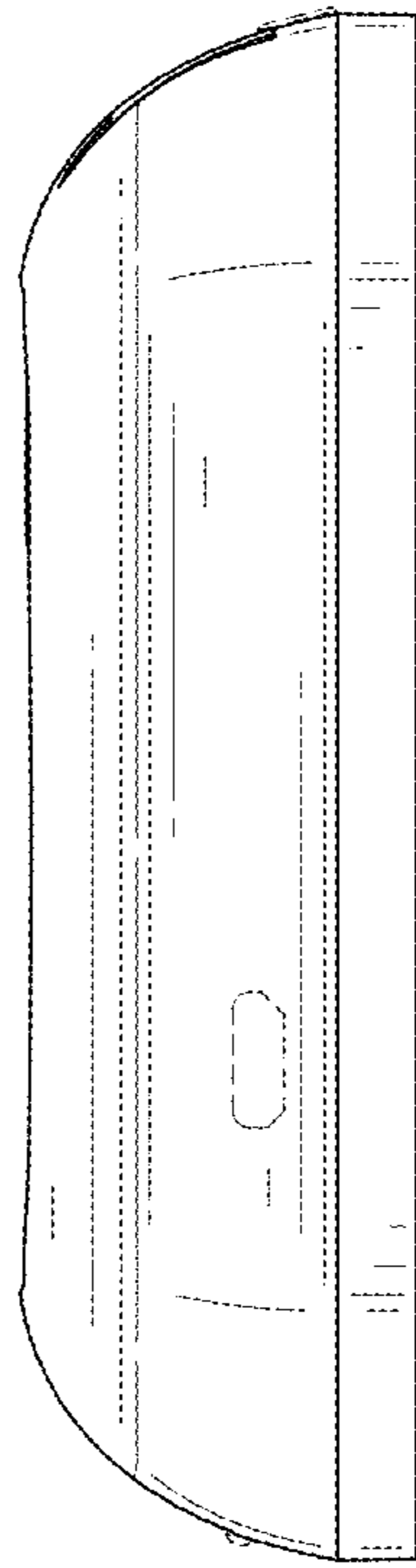


FIG. 5

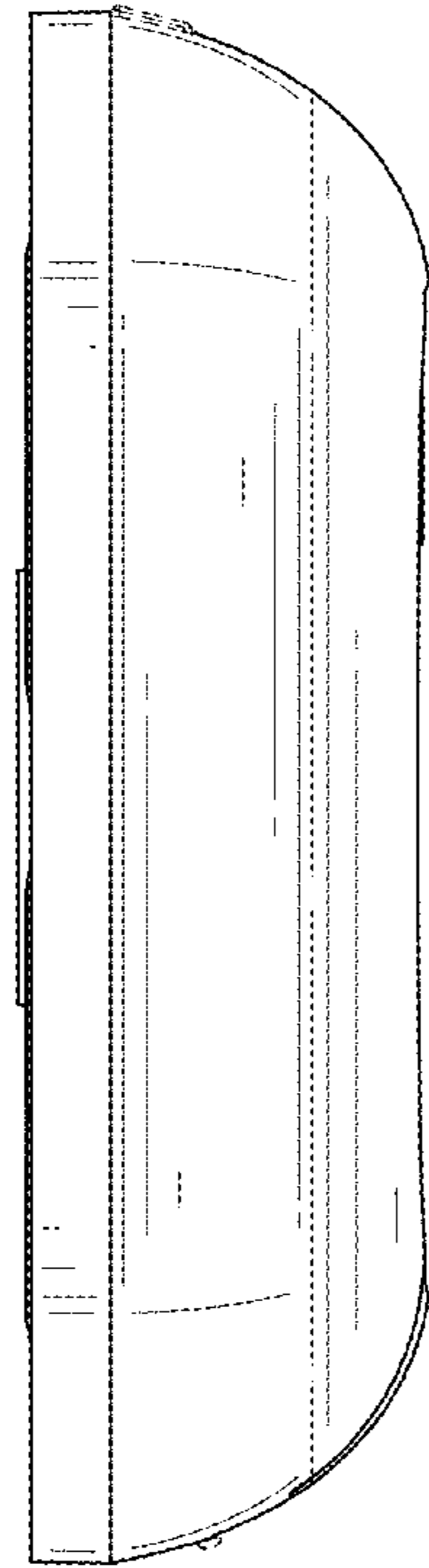


FIG. 6

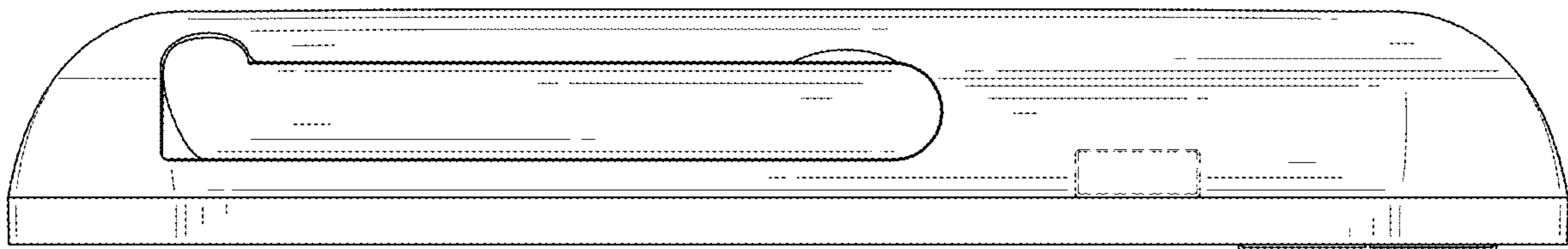


FIG. 7

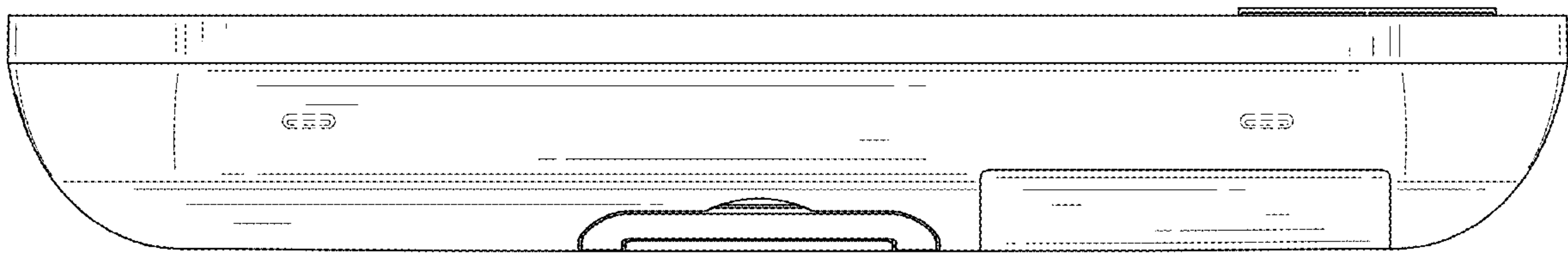


FIG. 8

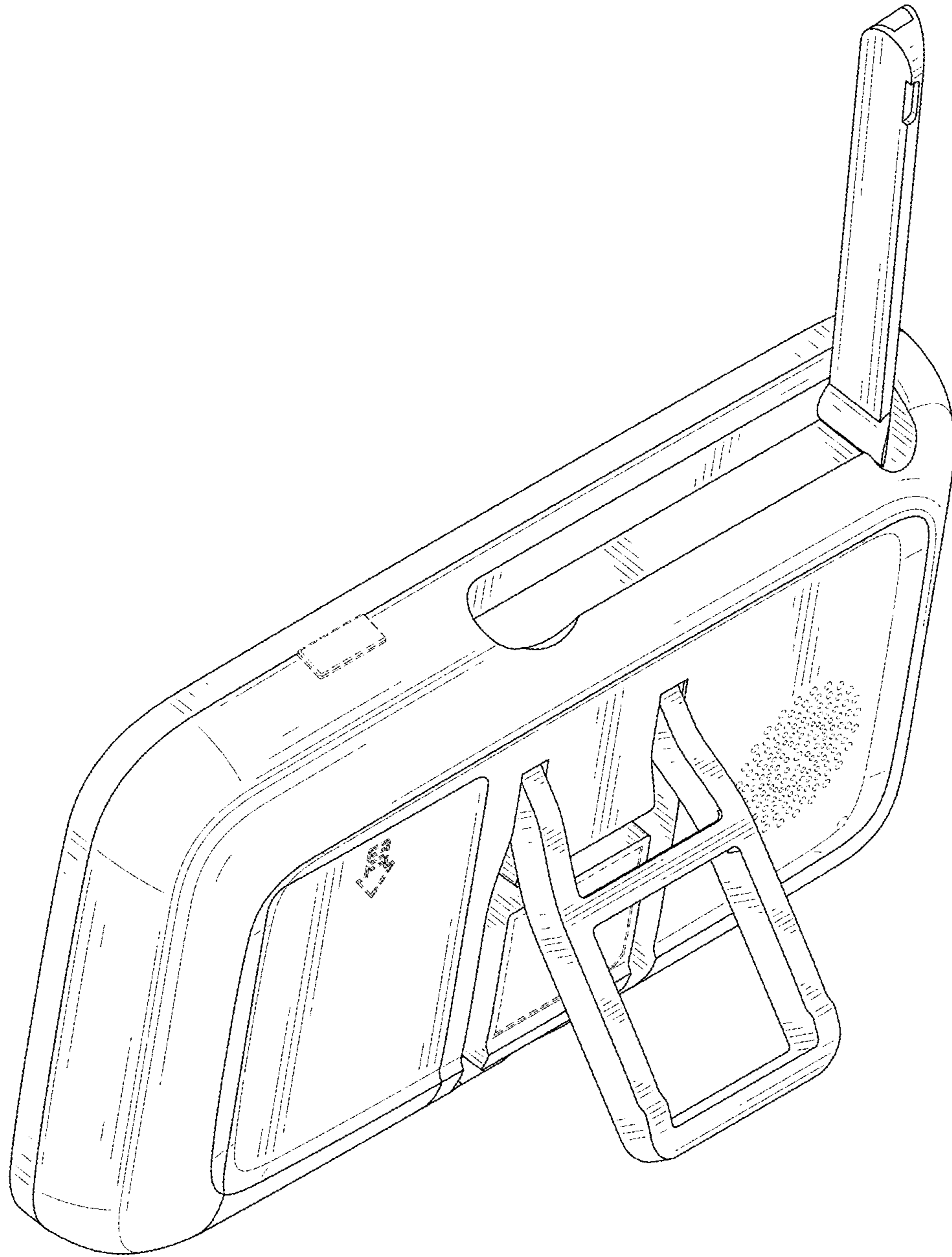


FIG. 9

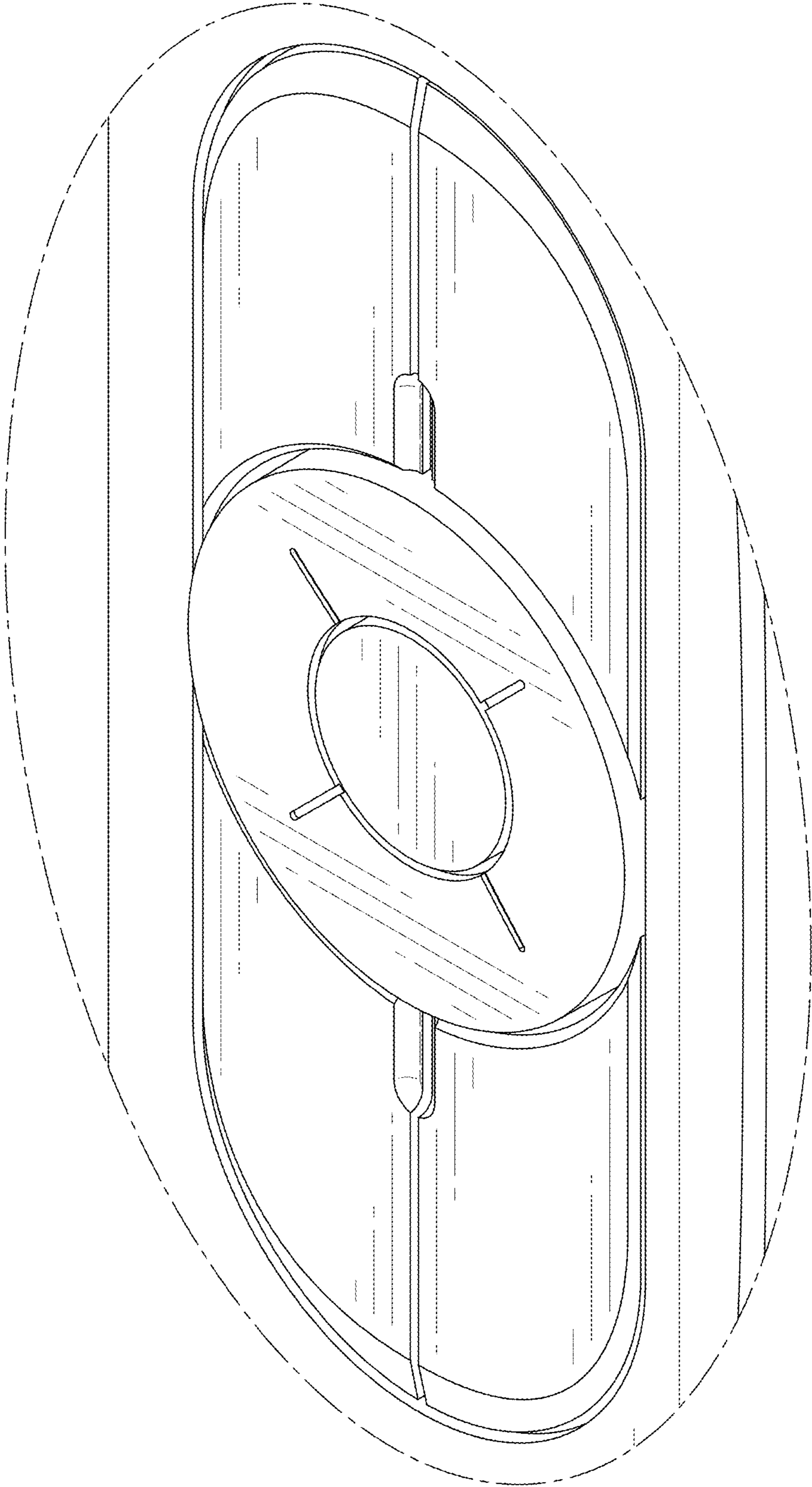


FIG. 10