



US00D881153S

(12) **United States Design Patent** (10) **Patent No.:** **US D881,153 S**
Fang (45) **Date of Patent:** **** Apr. 14, 2020**

(54) **BLUETOOTH ADAPTER**
(71) Applicant: **zhixiong Fang**, Guangdong (CN)
(72) Inventor: **zhixiong Fang**, Guangdong (CN)
(**) Term: **15 Years**
(21) Appl. No.: **29/706,413**
(22) Filed: **Sep. 20, 2019**
(51) **LOC (12) Cl.** **14-03**
(52) **U.S. Cl.**
USPC **D14/155**
(58) **Field of Classification Search**
USPC D14/167, 154, 168, 188, 496, 156, 160,
D14/161, 162, 163, 164, 165, 158, 341,
D14/346, 342, 345, 137, 155, 218, 225;
D16/208; D26/38; 455/351, 350;
D10/104.1, 106, 65
CPC H04B 1/385; H04M 1/6091; H04M 1/6066
See application file for complete search history.

D570,327 S * 6/2008 Ikeda D14/155
D619,558 S * 7/2010 Seil D14/155
D658,635 S * 5/2012 Hou
D802,536 S * 11/2017 Shang D13/144
D833,411 S * 11/2018 Castle D14/155
D847,112 S * 4/2019 Castle D14/155
D853,348 S * 7/2019 Liu D14/155
D863,248 S * 10/2019 Liu D14/155
D864,145 S * 10/2019 Zhang D14/155

* cited by examiner

Primary Examiner — Austin Murphy
(74) *Attorney, Agent, or Firm* — Jie Yang; ZanIP

(57) **CLAIM**

The ornamental design for a bluetooth adapter, as shown and described.

DESCRIPTION

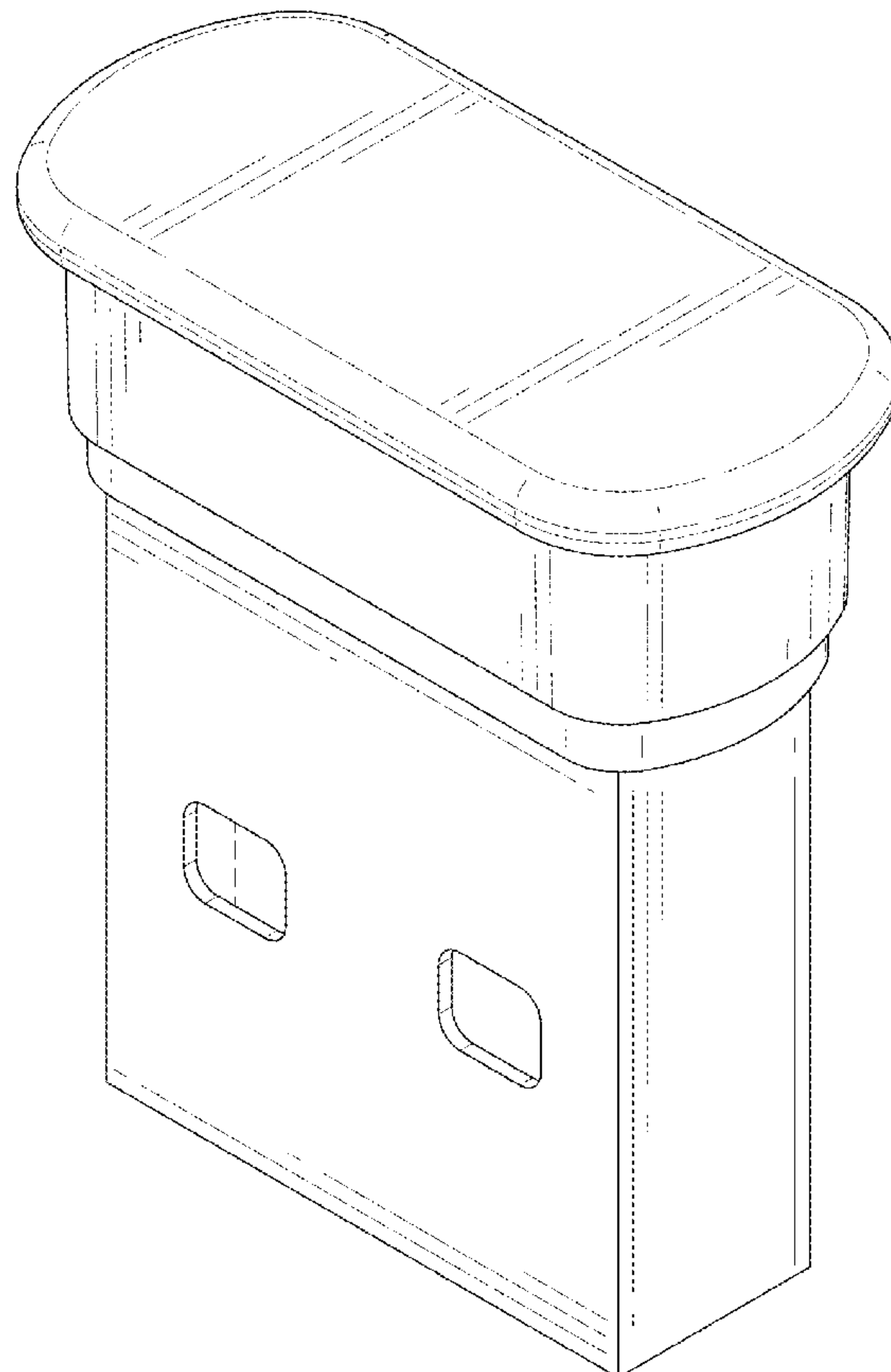
FIG. 1 is a front and top perspective view of a bluetooth adapter, showing my new design;
FIG. 2 is a rear and bottom perspective view thereof;
FIG. 3 is a front elevational view thereof;
FIG. 4 is a rear elevational view thereof;
FIG. 5 is a left side elevational view thereof;
FIG. 6 is a right side elevational view thereof;
FIG. 7 is a top plan view thereof; and,
FIG. 8 is a bottom plan view thereof.
The broken lines in the figures illustrate portions of the bluetooth adapter that form no part of the claimed design.

1 Claim, 8 Drawing Sheets

(56) **References Cited**

U.S. PATENT DOCUMENTS

D535,972 S * 1/2007 Griffin D14/155
D544,462 S * 6/2007 Patel D14/155
D545,809 S * 7/2007 Griffin D14/155
D546,811 S * 7/2007 Neu D14/155
D549,210 S * 8/2007 Neu D14/155



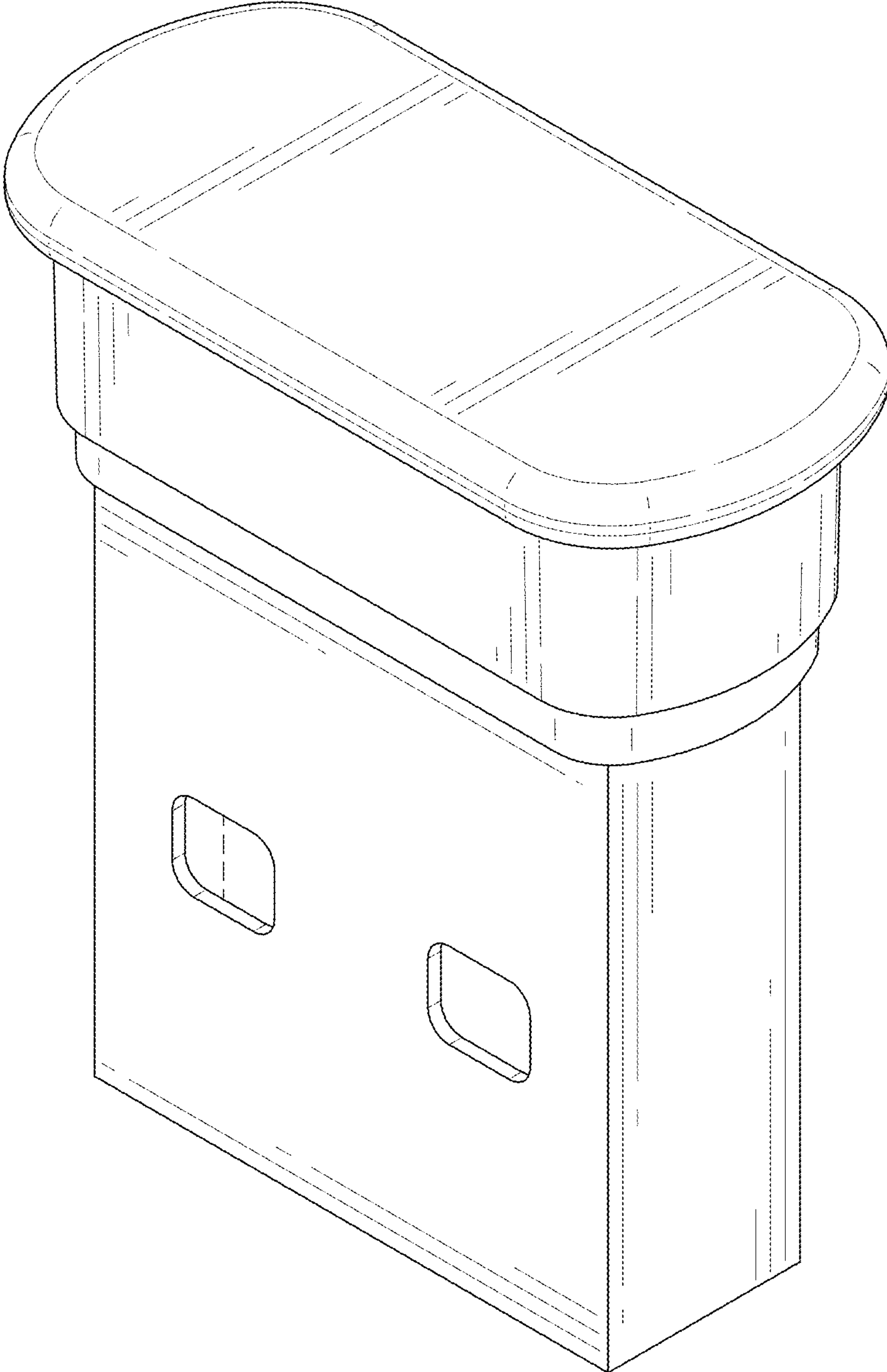


FIG. 1

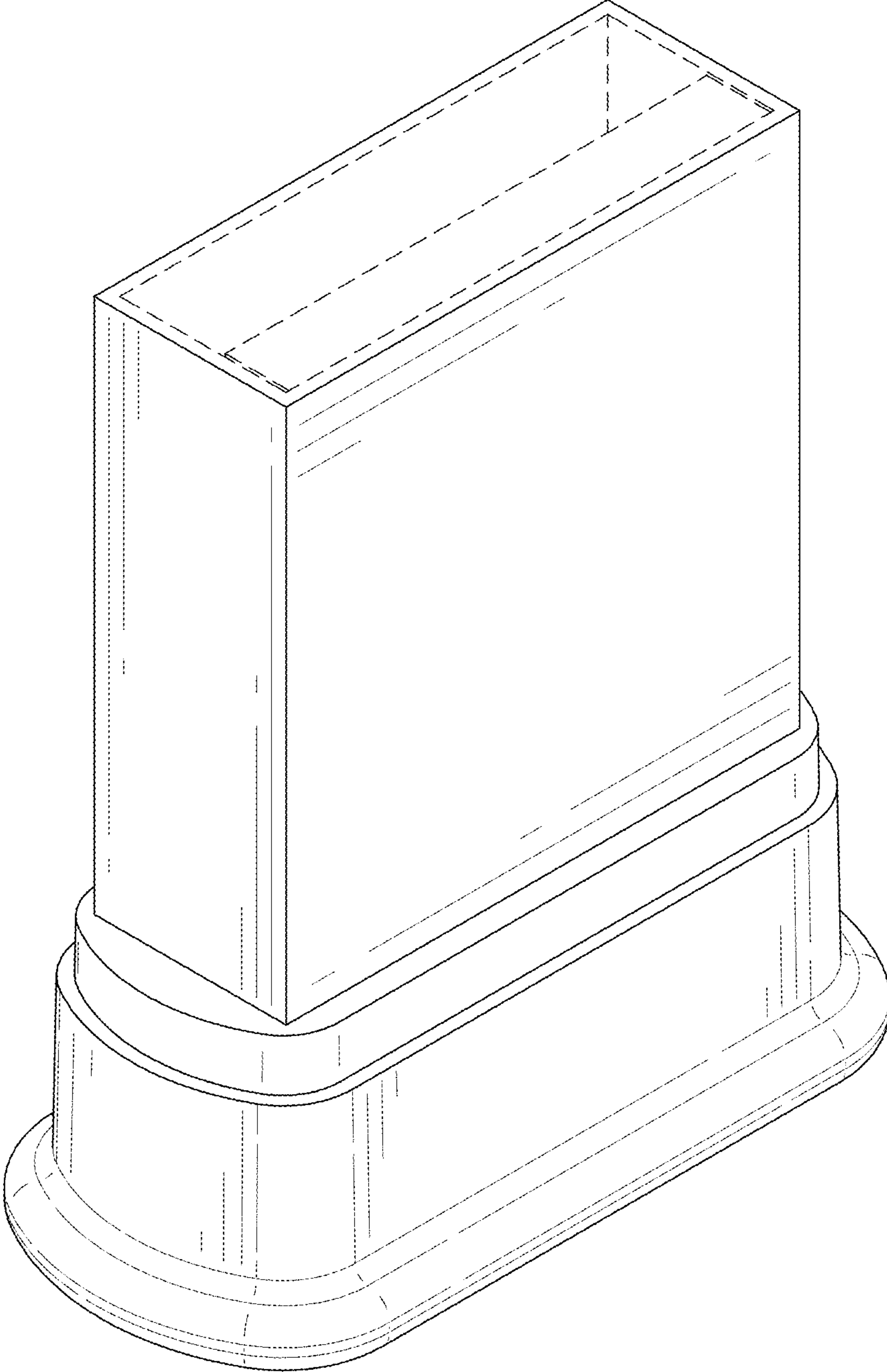


FIG. 2

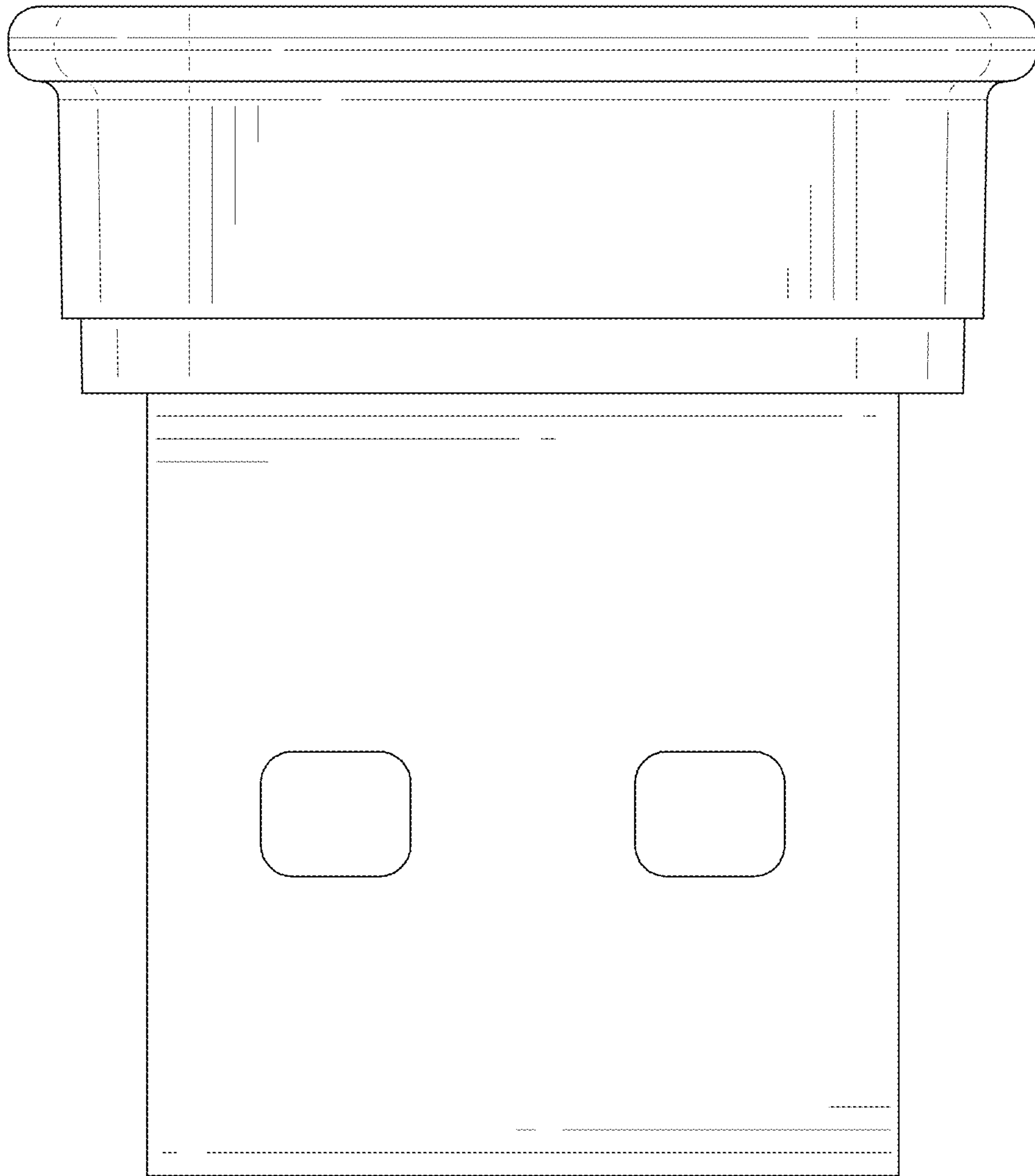


FIG. 3

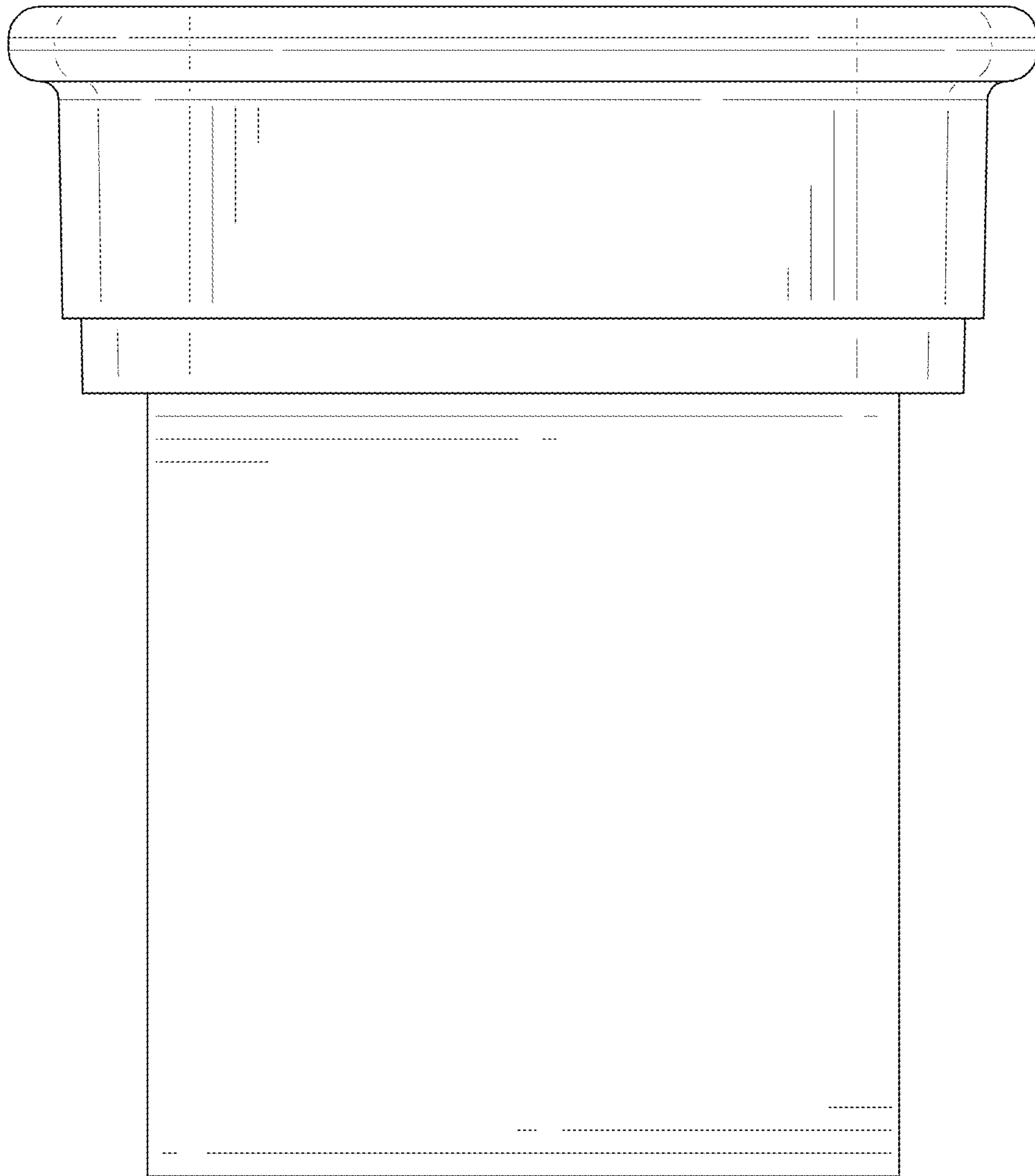


FIG. 4

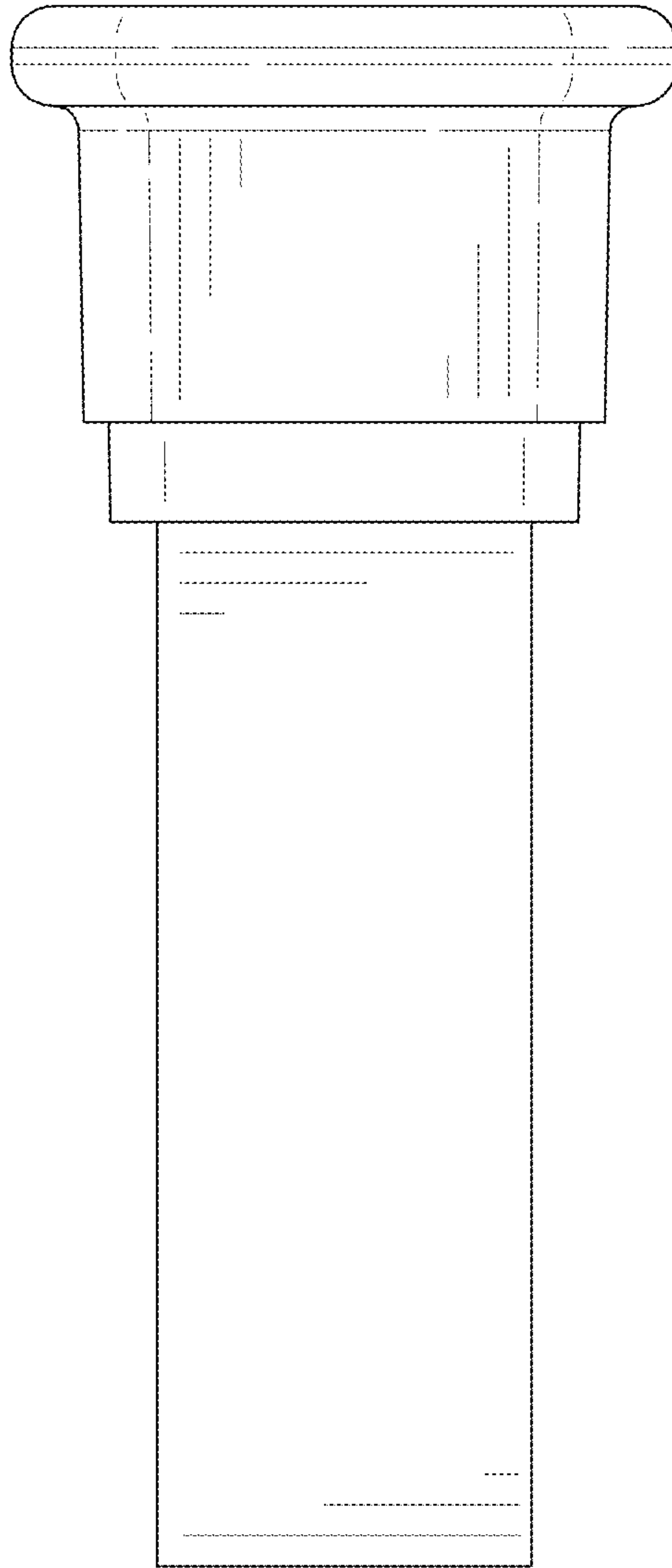


FIG. 5

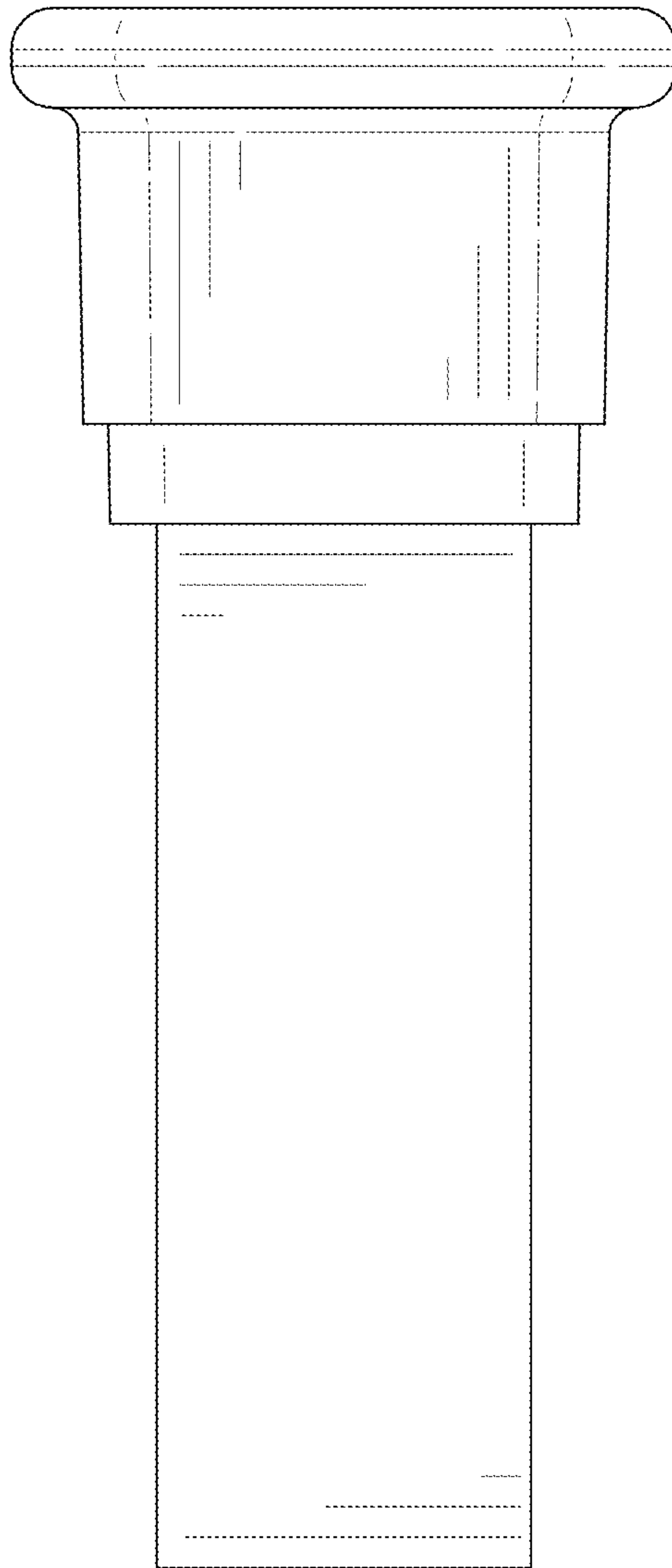


FIG. 6

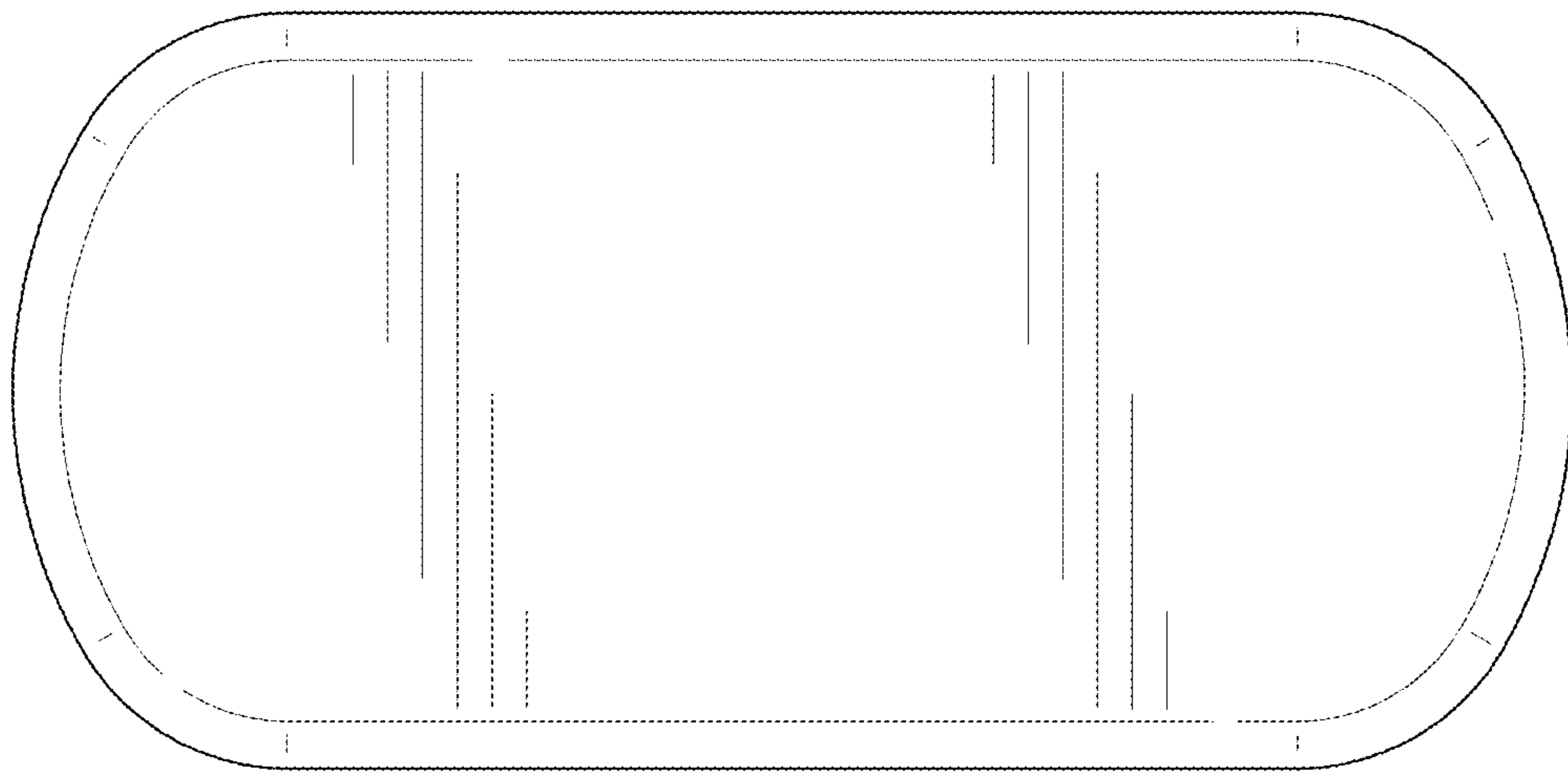


FIG. 7

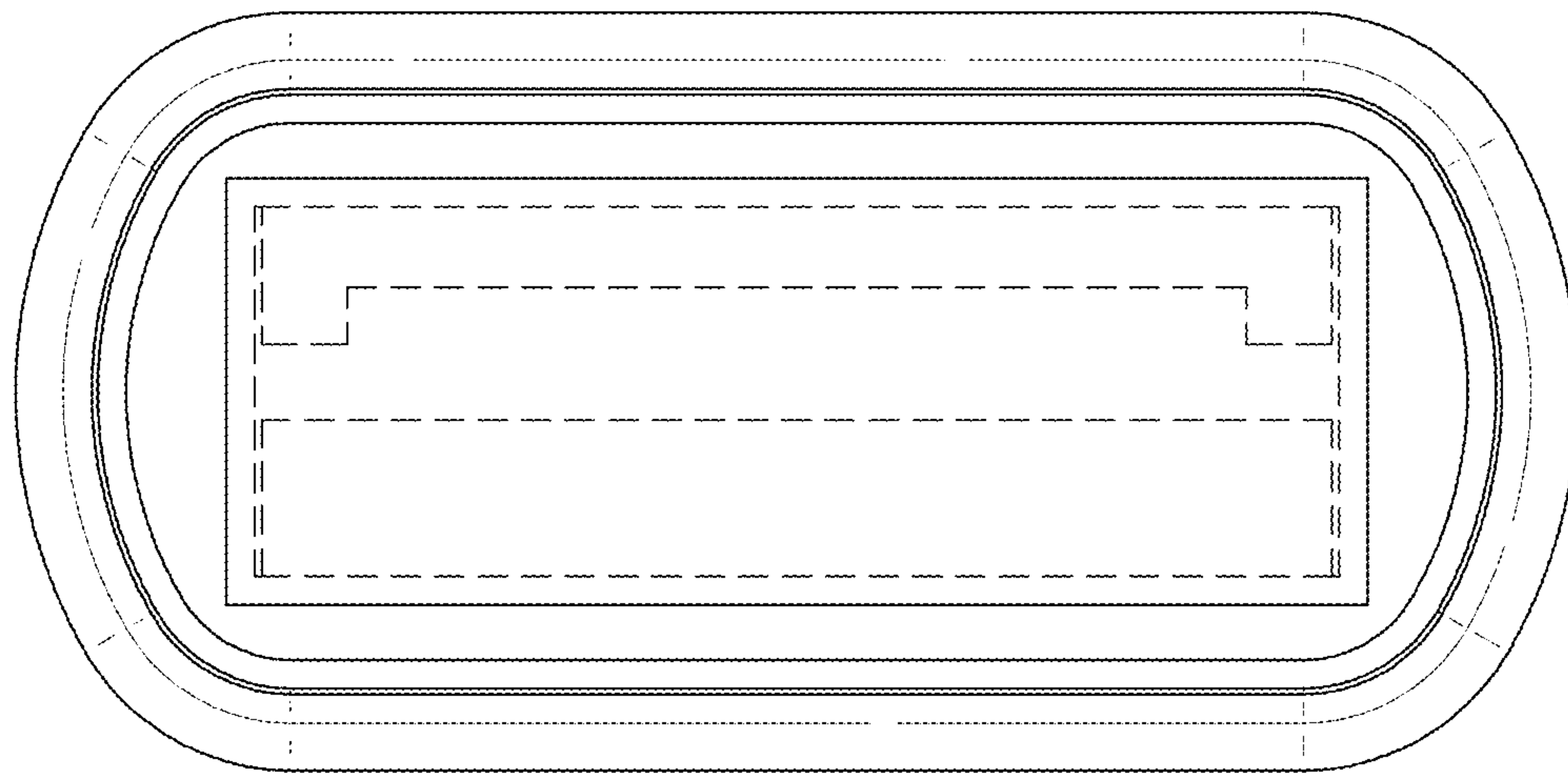


FIG. 8