



US00D881151S

(12) **United States Design Patent**  
**Gui et al.**

(10) **Patent No.:** **US D881,151 S**

(45) **Date of Patent:** **\*\* Apr. 14, 2020**

(54) **TWO WAY RADIO**

(71) Applicants: **Quanling Gui**, He'nan (CN); **Jicheng Deng**, He'nan (CN)

(72) Inventors: **Quanling Gui**, He'nan (CN); **Jicheng Deng**, He'nan (CN)

(\*\*) Term: **15 Years**

(21) Appl. No.: **29/709,879**

(22) Filed: **Oct. 17, 2019**

(51) **LOC (12) Cl.** ..... **14-03**

(52) **U.S. Cl.**  
USPC ..... **D14/137**

(58) **Field of Classification Search**  
USPC ..... D14/137, 138 R, 138 AA, 138 AD  
CPC .. H04B 1/3833; H04B 1/3827; H04B 1/3855;  
H04B 2001/3861; H04M 1/0202; H04M  
1/03; H04M 1/035  
See application file for complete search history.

(56) **References Cited**

**U.S. PATENT DOCUMENTS**

D421,261 S *	2/2000	Heuel	.....	D14/138 R
D430,126 S *	8/2000	Lee	.....	D14/137
D451,896 S *	12/2001	Kim	.....	D14/137
D452,684 S *	1/2002	Sedan	.....	D14/137
D467,889 S *	12/2002	Cebe	.....	D14/137
D490,064 S *	5/2004	Yi	.....	D14/137
D496,635 S *	9/2004	Lodato	.....	D14/137

D519,477 S *	4/2006	Liu	.....	D14/137
D561,143 S *	2/2008	Mukai	.....	D14/137
D576,124 S *	9/2008	Nishizawa	.....	D14/137
D576,125 S *	9/2008	Nishizawa	.....	D14/137
D576,126 S *	9/2008	Nishida	.....	D14/137
D606,035 S	12/2009	Tan	.....	
D778,251 S *	2/2017	Nishizawa	.....	D14/137

\* cited by examiner

*Primary Examiner* — Bridget L Eland

(74) *Attorney, Agent, or Firm* — Justin Lampel

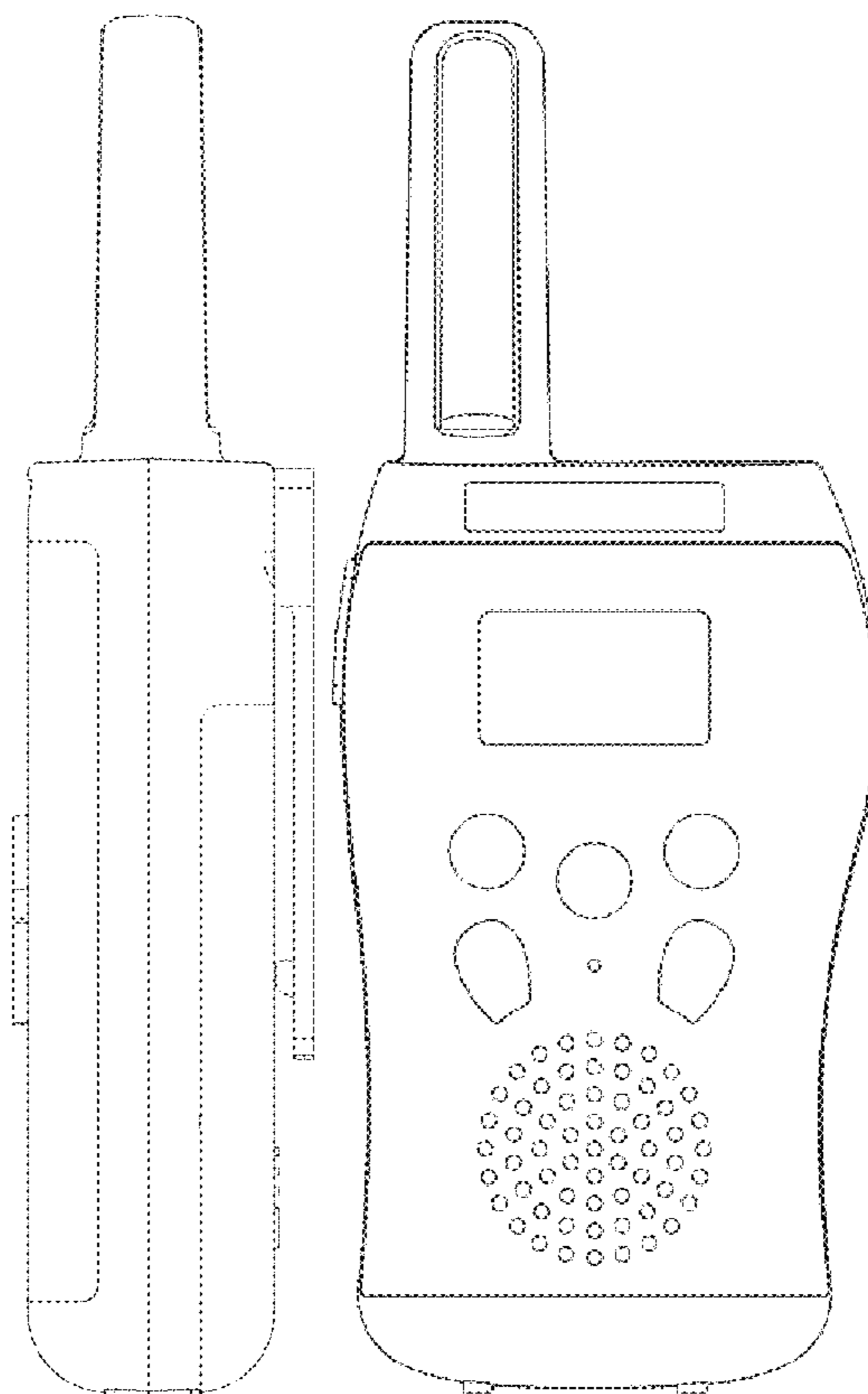
(57) **CLAIM**

The ornamental design for a two way radio, as shown and described.

**DESCRIPTION**

FIG. 1 is a perspective view of a two way radio showing the claimed design;  
FIG. 2 is another perspective view thereof;  
FIG. 3 is a top plan view thereof;  
FIG. 4 is a rear elevational view thereof;  
FIG. 5 is a bottom plan view thereof;  
FIG. 6 is a right side view thereof;  
FIG. 7 is a front elevational view thereof; and,  
FIG. 8 is a left side view thereof;  
The broken lines in the figures are included for the purpose of illustrating portions of the two way radio that form no part of the claimed design.

**1 Claim, 8 Drawing Sheets**



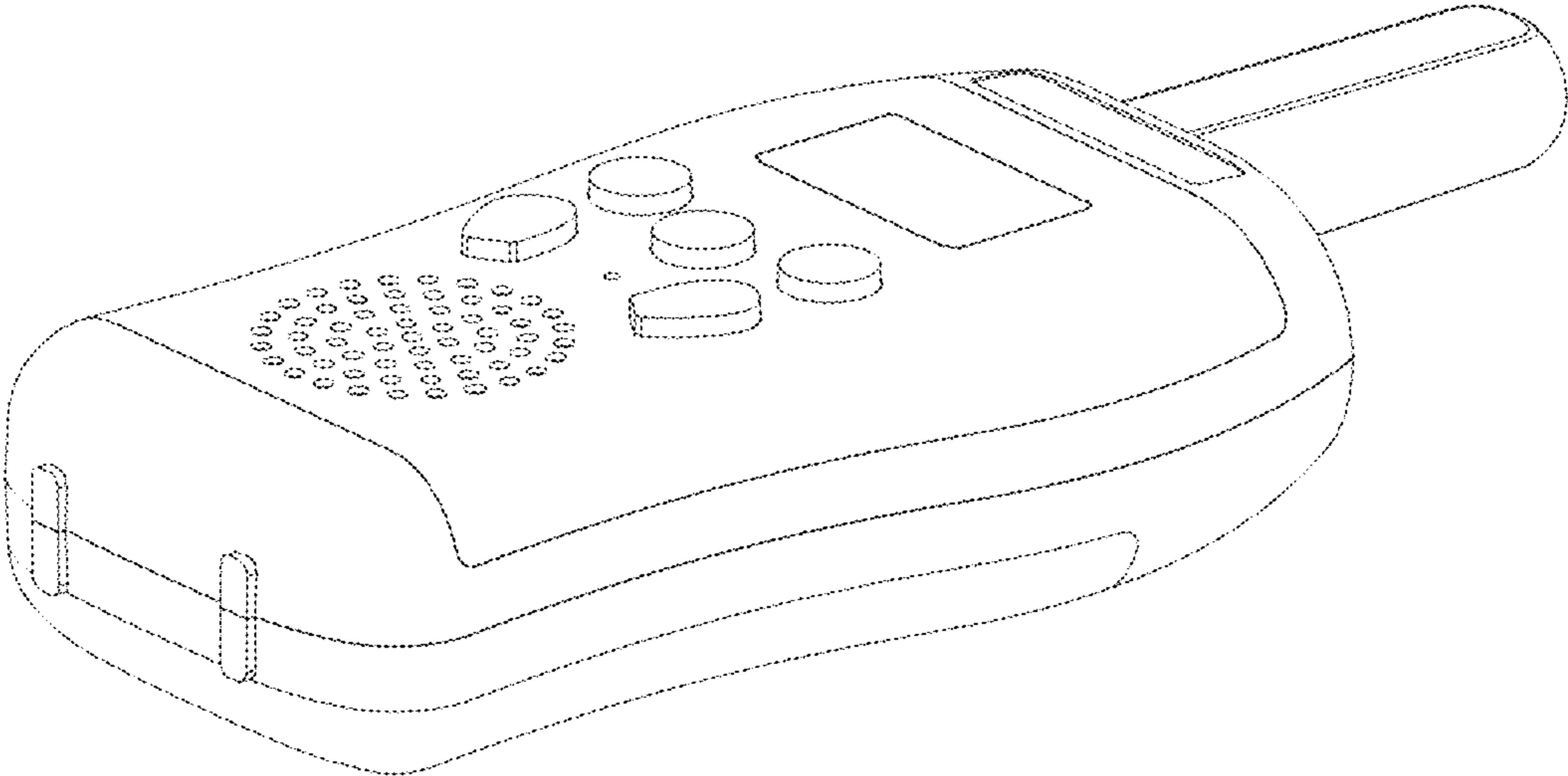


FIG.1

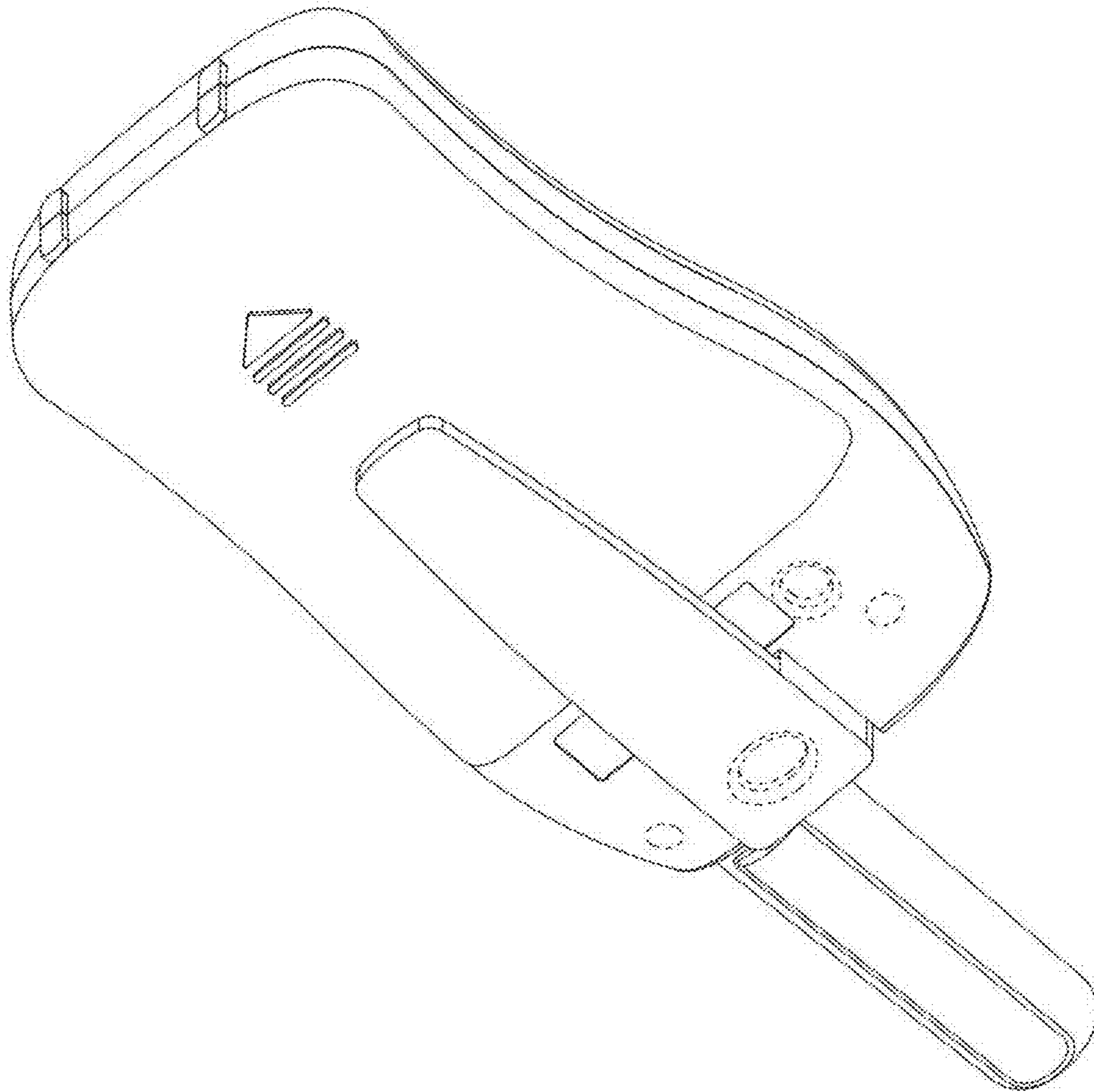


FIG.2

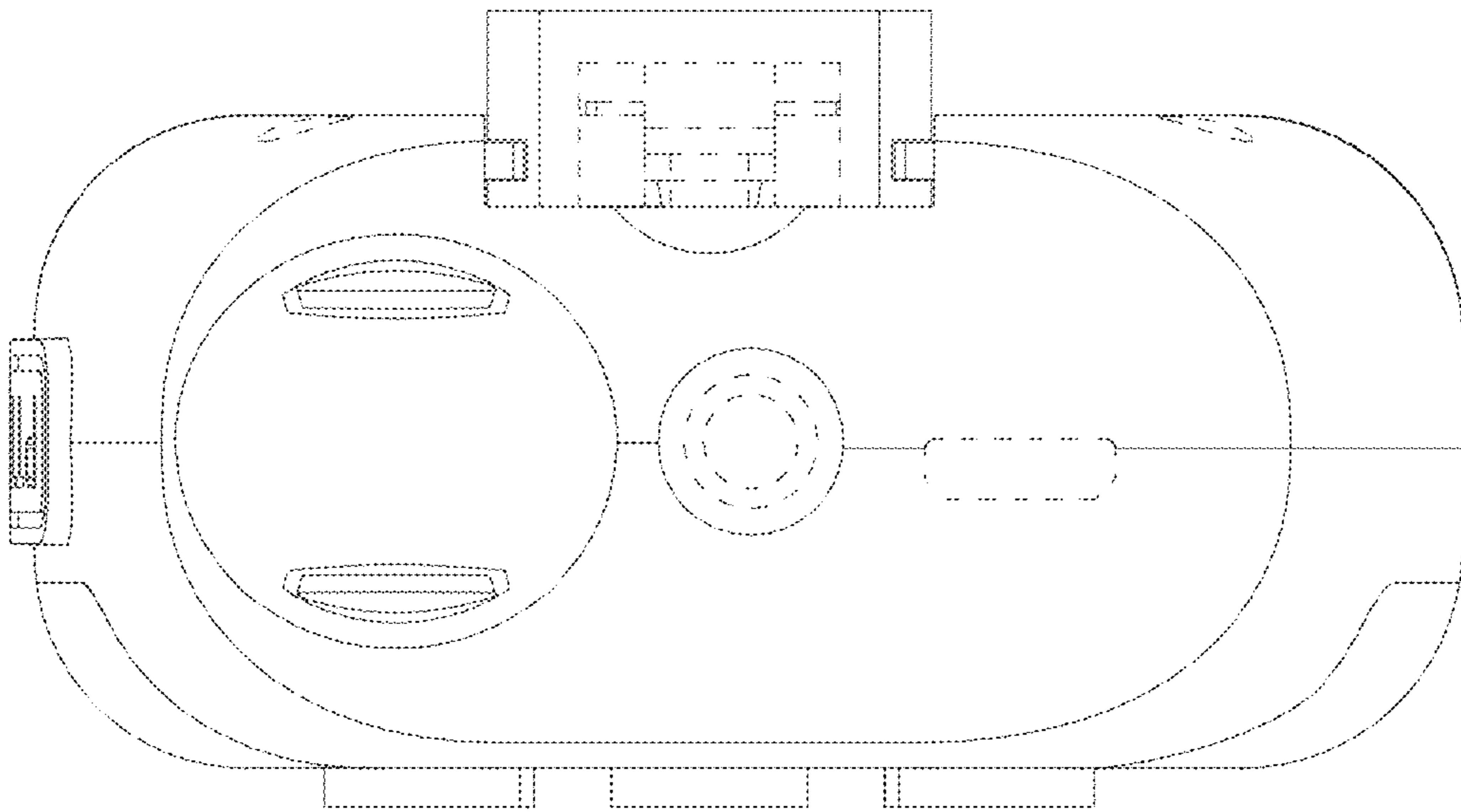


FIG.3

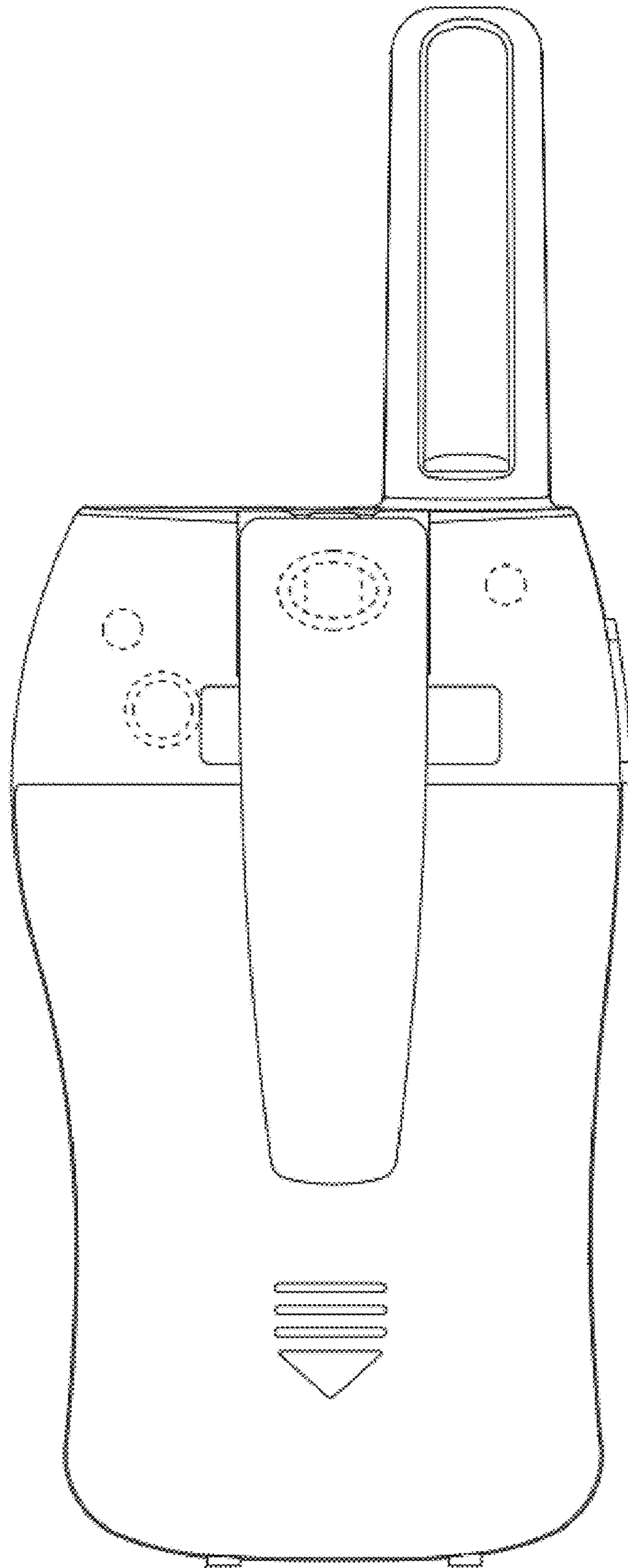


FIG.4

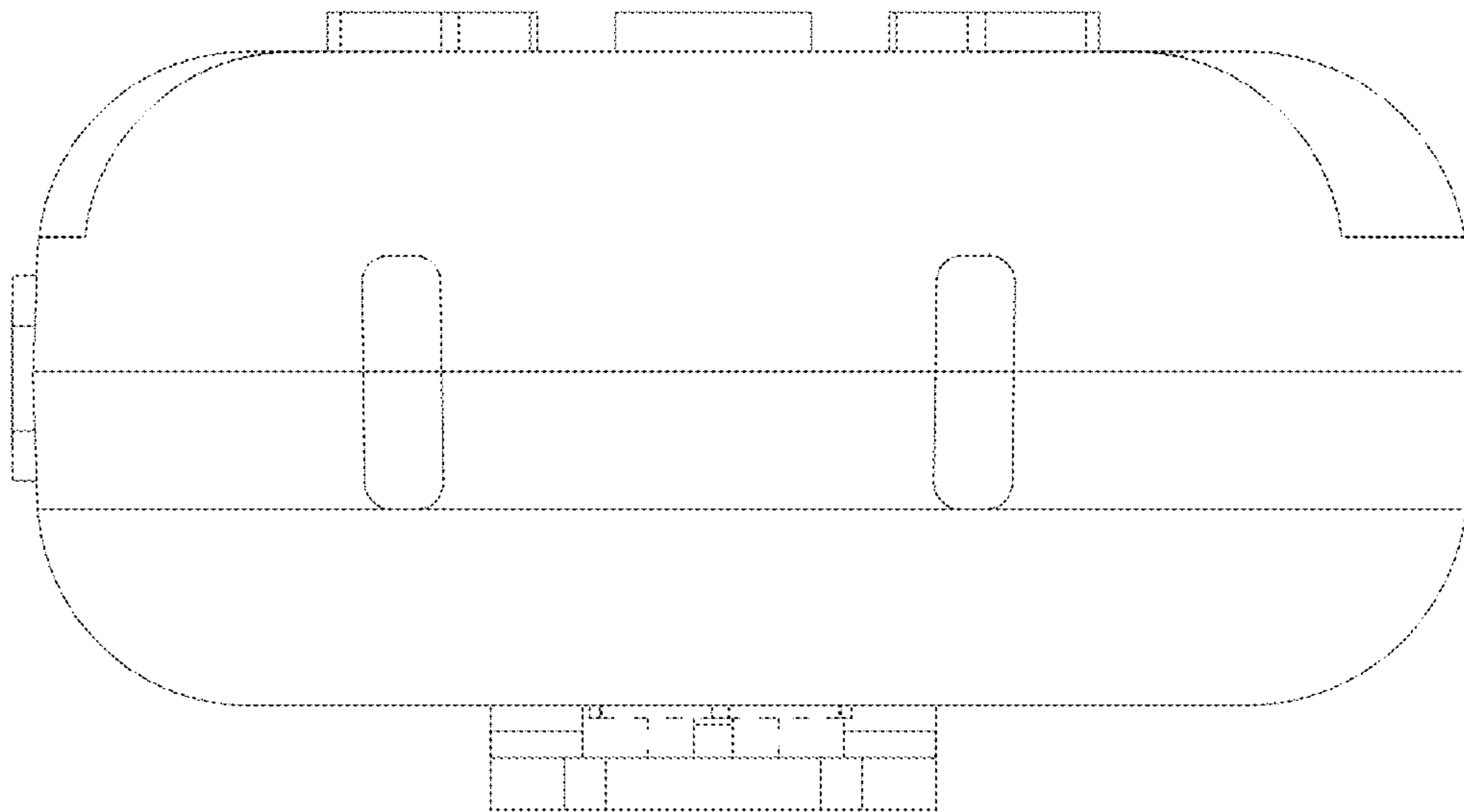


FIG.5

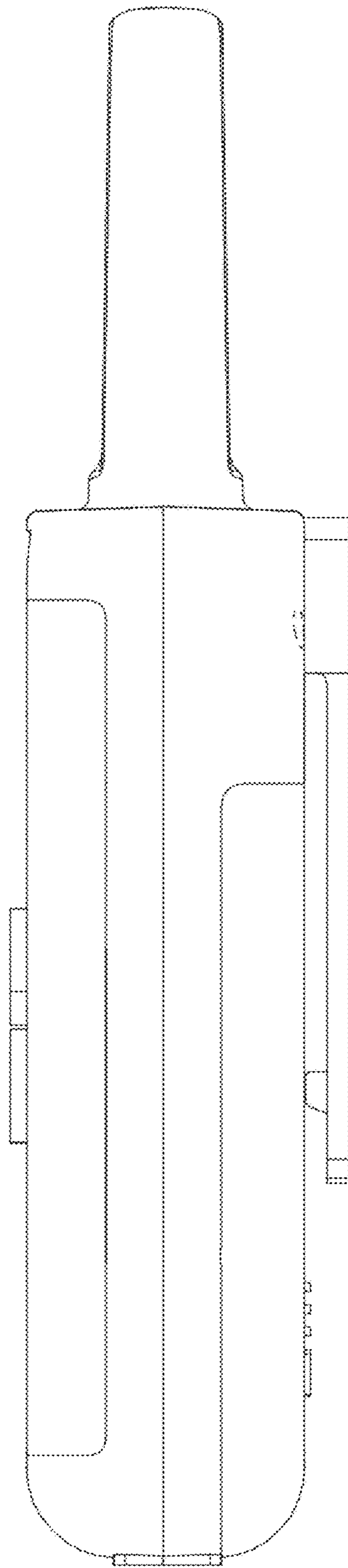


FIG.6

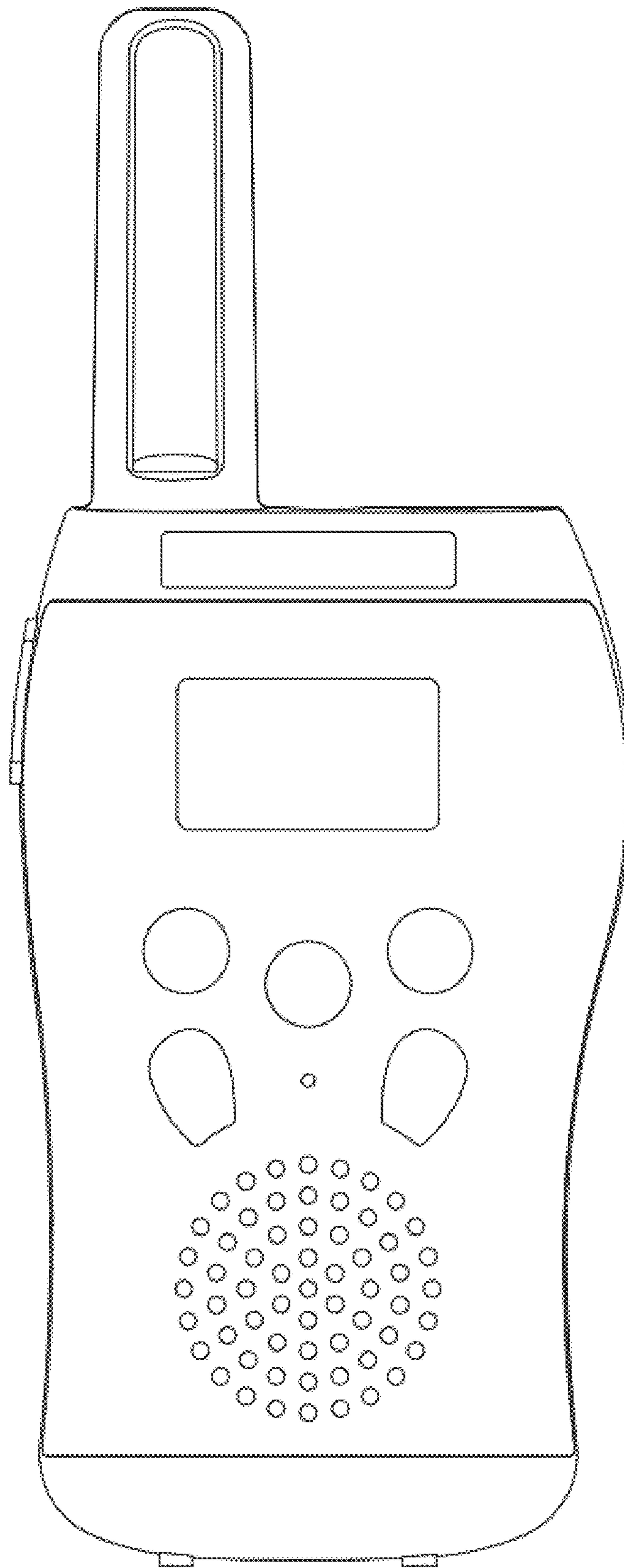


FIG.7



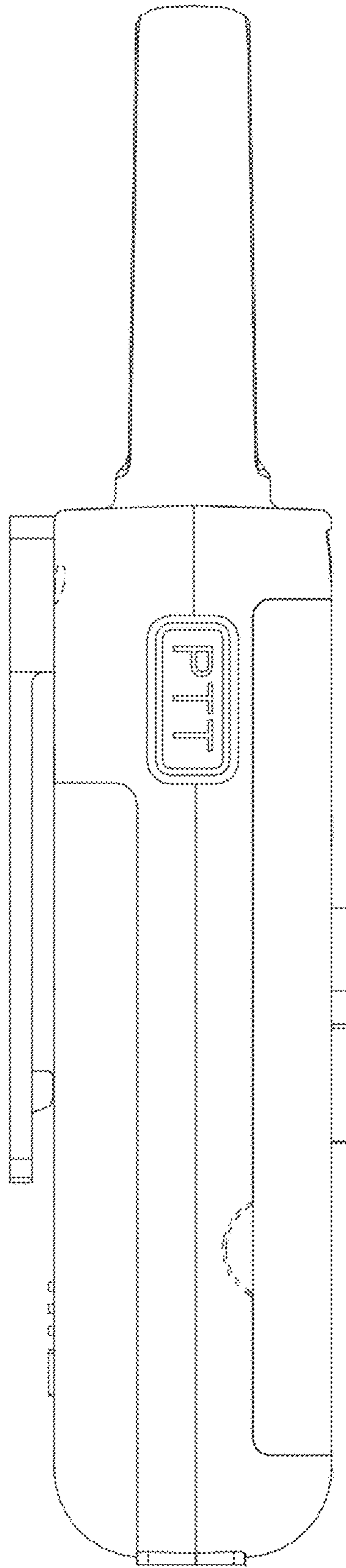


FIG.8

UNITED STATES PATENT AND TRADEMARK OFFICE  
**CERTIFICATE OF CORRECTION**

PATENT NO. : D881,151 S  
APPLICATION NO. : 29/709879  
DATED : April 14, 2020  
INVENTOR(S) : Gui

Page 1 of 1

It is certified that error appears in the above-identified patent and that said Letters Patent is hereby corrected as shown below:

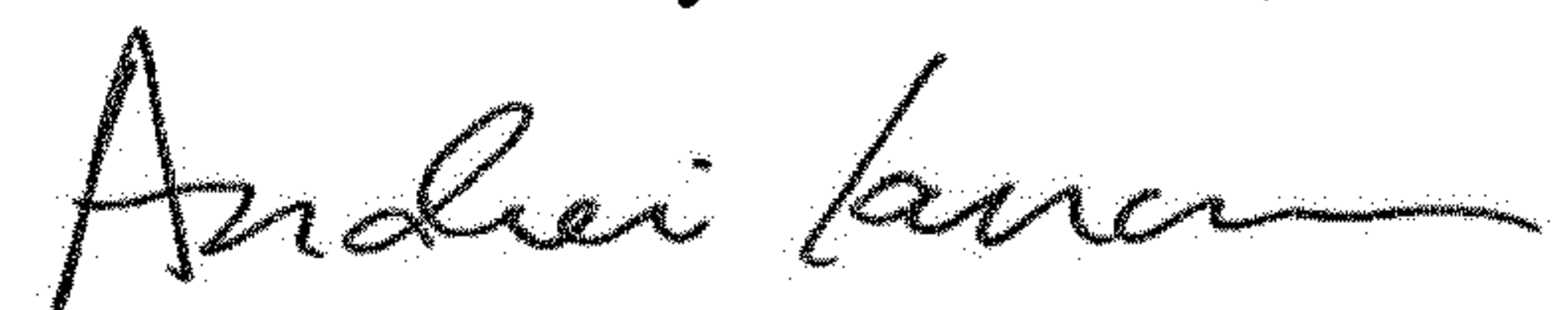
On the Title Page

Item (12) delete "Gui, et al." and insert -- Gui --.

Item (72) Inventors should read:

-- (72) Inventor: Quanling Gui, He'nan, (CN) --.

Signed and Sealed this  
Twentieth Day of October, 2020



Andrei Iancu  
*Director of the United States Patent and Trademark Office*