



US00D881149S

(12) **United States Design Patent**
Yamamoto

(10) **Patent No.:** **US D881,149 S**
(45) **Date of Patent:** **** Apr. 14, 2020**

- (54) **MICROPHONE FOR WIRELESS COMMUNICATION DEVICE**
- (71) Applicant: **JVC KENWOOD Corporation**,
Yokohama-shi, Kanagawa (JP)
- (72) Inventor: **Toyohito Yamamoto**, Yokohama (JP)
- (73) Assignee: **JVC KENWOOD Corporation**,
Yokohama-shi (JP)

D448,019 S *	9/2001	Cebe	D14/225
D519,111 S *	4/2006	Miranda	D14/225
D530,313 S *	10/2006	Leng	D14/225
D718,746 S *	12/2014	Tran	D14/137
D718,747 S *	12/2014	Tran	D14/137
D725,085 S *	3/2015	Barker	D14/137
D735,159 S *	7/2015	Yang	D14/137
D738,357 S *	9/2015	Khairudin	D14/226
D744,458 S *	12/2015	Derdzinski	D14/226
2006/0135088 A1 *	6/2006	Chen	G01S 19/14 455/90.3

- (**) Term: **15 Years**
- (21) Appl. No.: **29/675,030**
- (22) Filed: **Dec. 28, 2018**

* cited by examiner

Primary Examiner — Bridget L Eland
(74) *Attorney, Agent, or Firm* — Amin, Turocy & Watson, LLP

(30) **Foreign Application Priority Data**

Sep. 28, 2018 (JP) 2018-021311

(51) **LOC (12) Cl.** **14-03**

(52) **U.S. Cl.**
USPC **D14/137**

(58) **Field of Classification Search**
USPC D14/137, 138 R, 138 AA, 138 AD
CPC .. H04B 1/3833; H04B 1/3827; H04B 1/3855;
H04B 2001/3861; H04M 1/0202; H04M
1/03; H04M 1/035
See application file for complete search history.

(56) **References Cited**

U.S. PATENT DOCUMENTS

5,249,235 A * 9/1993 Davis, II H04R 1/342
381/122
D415,767 S * 10/1999 Page D14/226

(57) **CLAIM**

The ornamental design for a microphone for wireless communication device, as shown and described.

DESCRIPTION

FIG. 1 is a perspective view of a microphone for wireless communication device showing my new design; FIG. 2 is a front elevational view thereof; FIG. 3 is a rear elevational view thereof; FIG. 4 is a top plan view thereof; FIG. 5 is a bottom plan view thereof; FIG. 6 is a right-side elevational view thereof; and, FIG. 7 is a left-side elevational view thereof. The broken lines of the drawings represent portions of the microphone for wireless communication device that are not part of the claimed design.

1 Claim, 6 Drawing Sheets

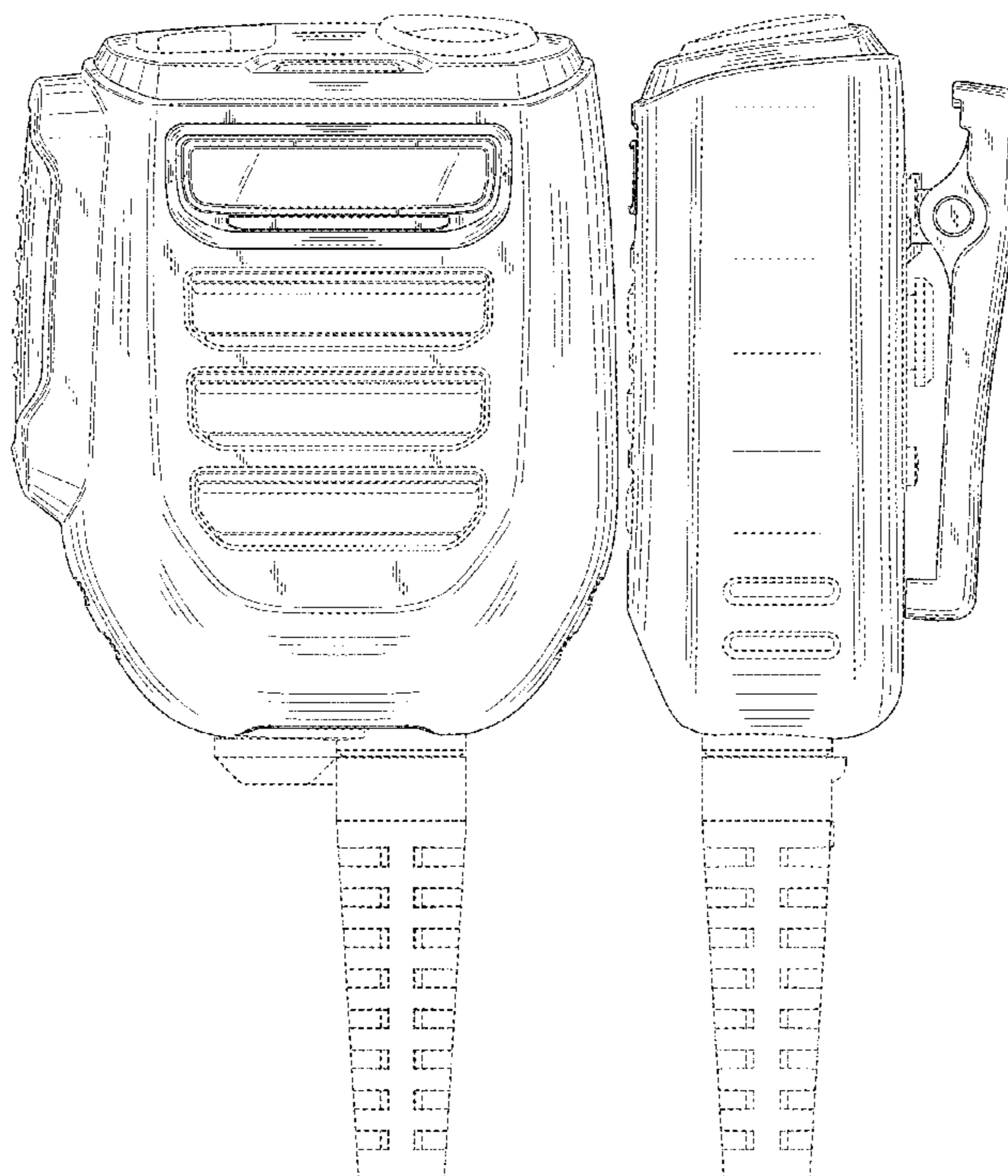


FIG. 1

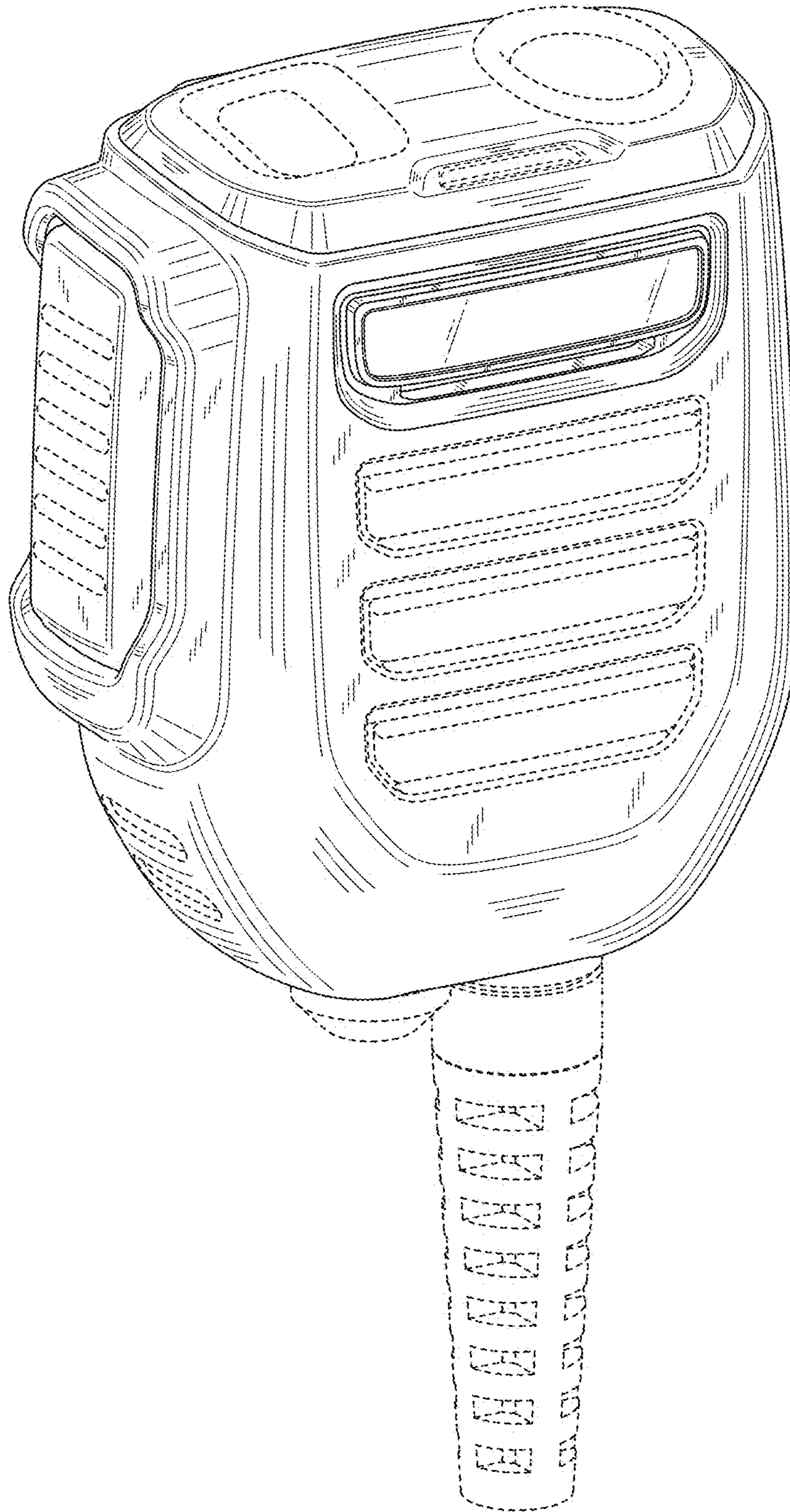


FIG. 2

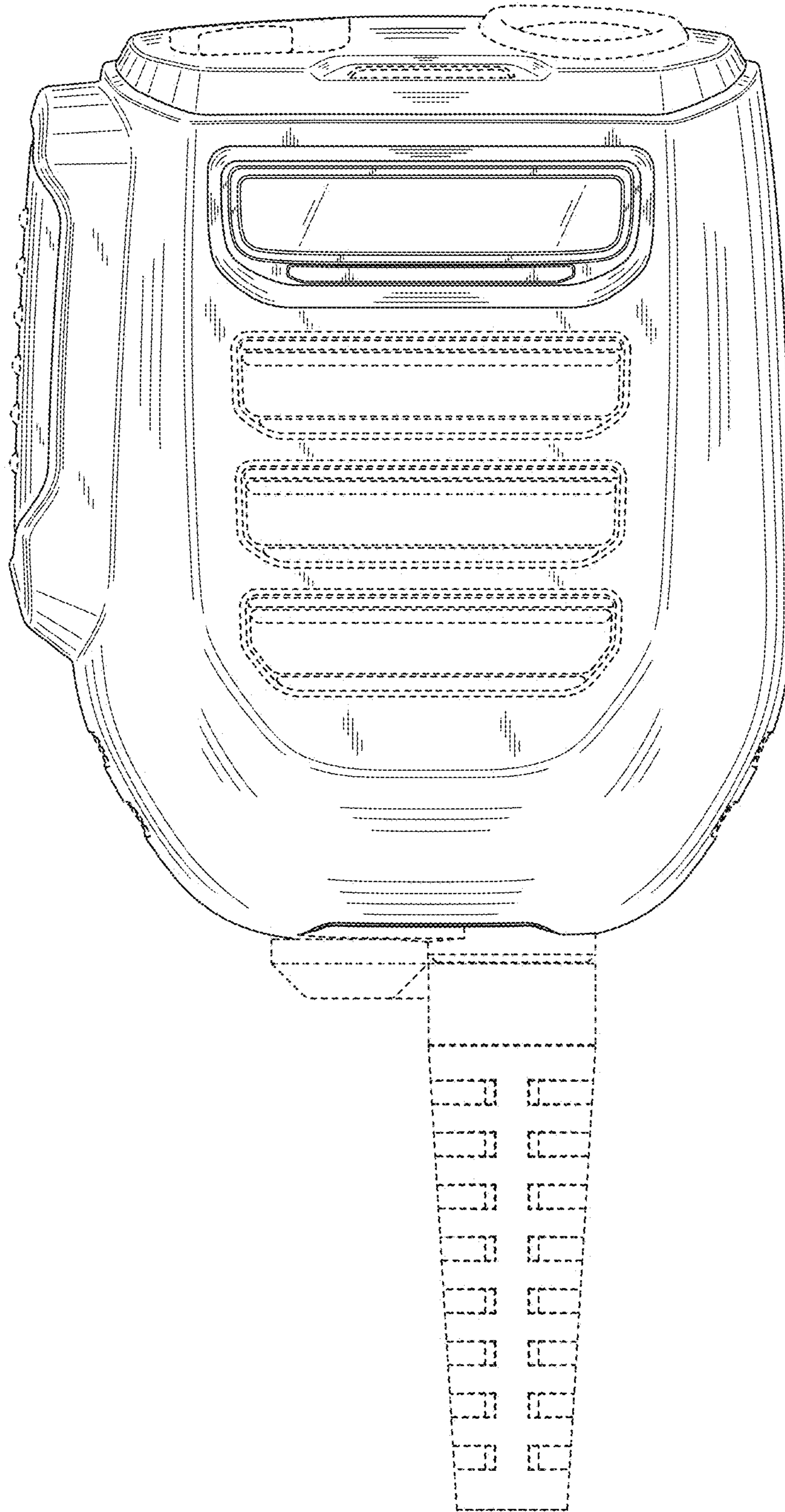


FIG. 3

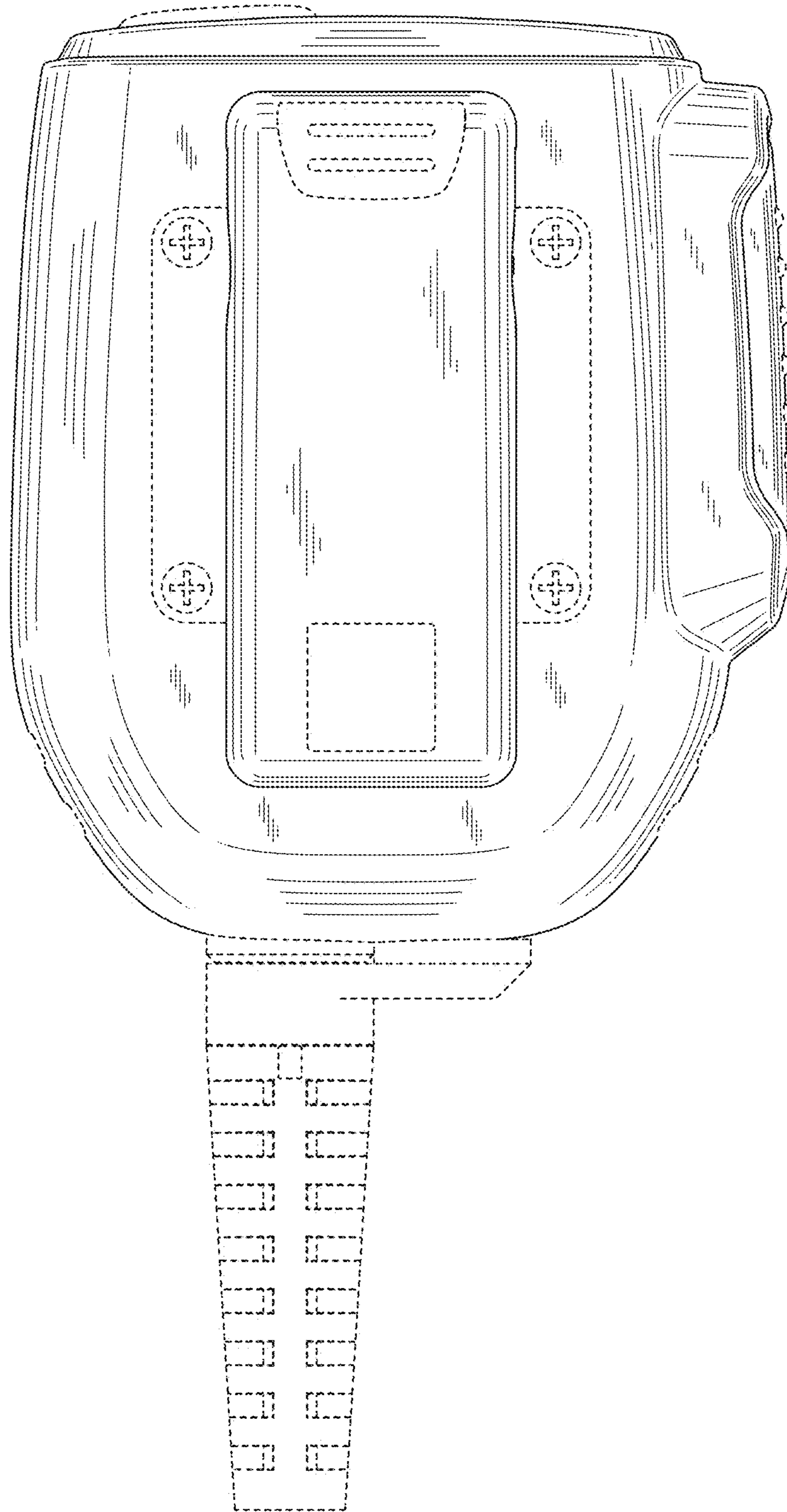


FIG. 4

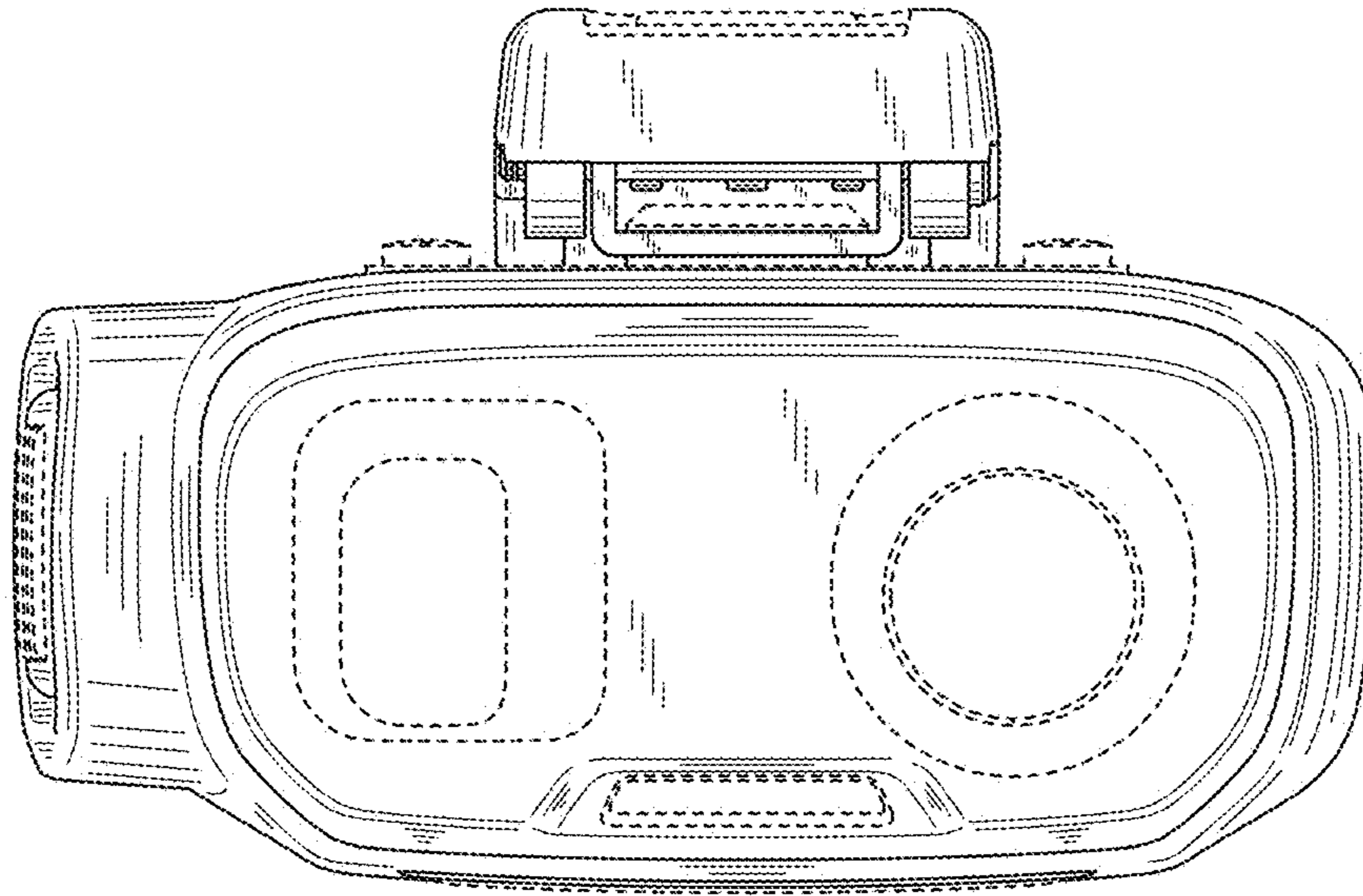


FIG. 5

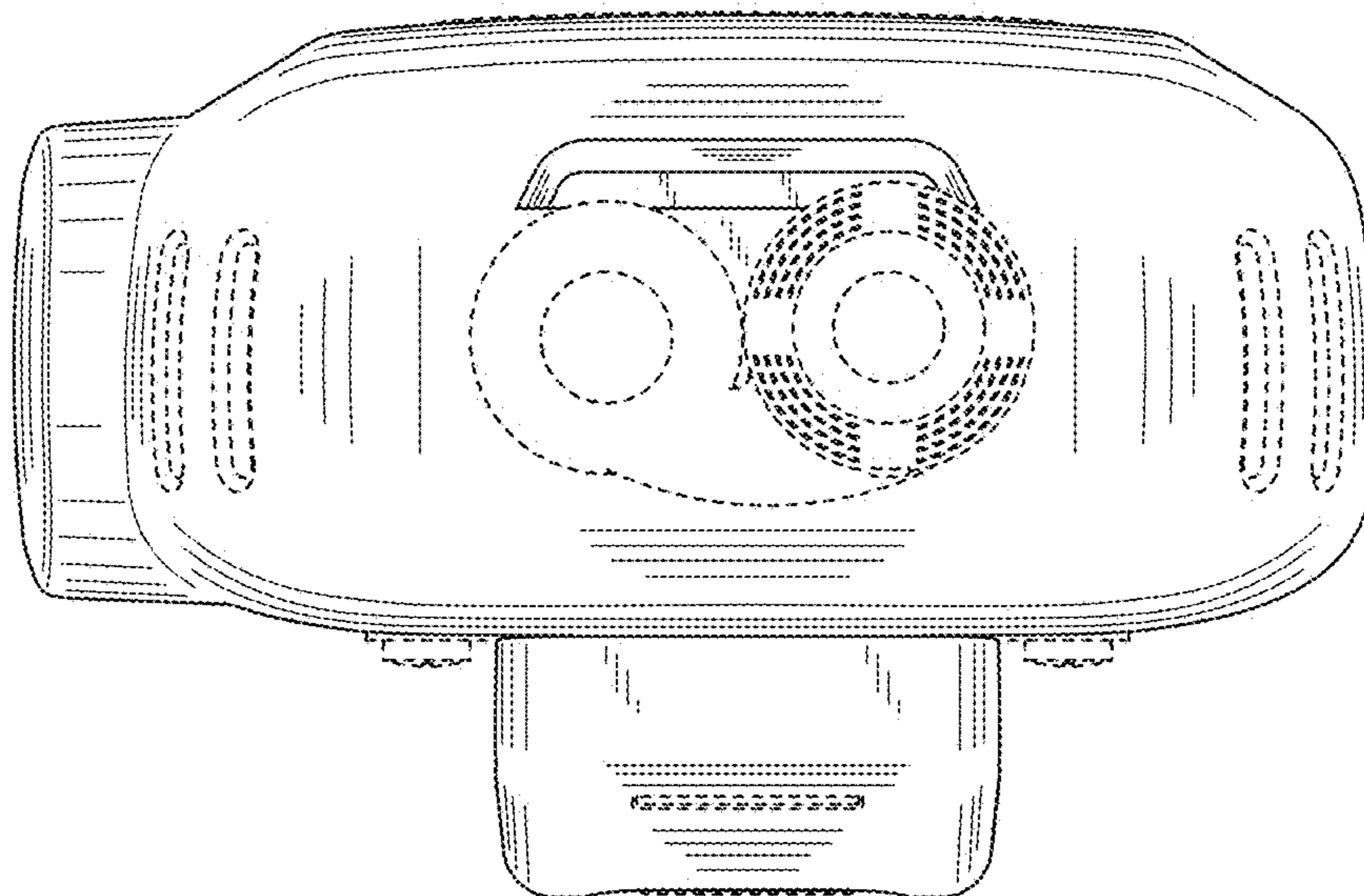


FIG. 6

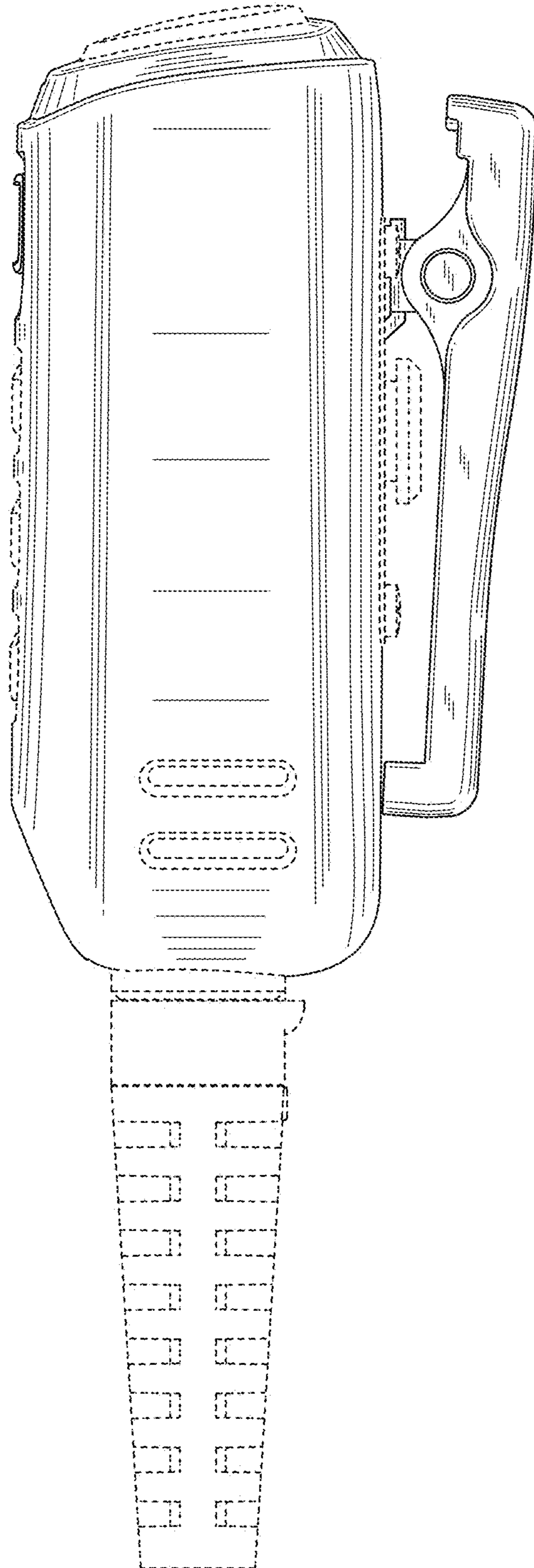


FIG. 7

