



US00D881148S

(12) **United States Design Patent**  
**Wang**

(10) **Patent No.:** **US D881,148 S**  
(45) **Date of Patent:** **\*\* Apr. 14, 2020**

- (54) **WALKIE-TALKIE**
- (71) Applicant: **SHENZHEN HUIKE ELECTRONICS CO., LTD.**,  
Shenzhen, Guangdong (CN)
- (72) Inventor: **Gongrang Wang**, Henan (CN)
- (73) Assignee: **SHENZHEN HUIKE ELECTRONICS CO., LTD.**,  
Shenzhen, Guangdong (CN)

D498,219 S *	11/2004	Hamann	.....	D14/138 AA
D528,031 S *	9/2006	Kellond	.....	D14/137
D557,234 S *	12/2007	Kim	.....	D14/138 AD
D612,356 S *	3/2010	Chen	.....	D14/138 AD
D632,269 S *	2/2011	Garra	.....	D14/137
D635,946 S *	4/2011	Garra	.....	D14/137
D862,813 S *	10/2019	Liu	.....	D30/199

- (\*\*) Term: **15 Years**
- (21) Appl. No.: **29/674,778**
- (22) Filed: **Dec. 26, 2018**
- (51) **LOC (12) Cl.** ..... **14-03**
- (52) **U.S. Cl.**  
USPC ..... **D14/137**
- (58) **Field of Classification Search**  
USPC ..... D14/137, 138 R, 138 AA, 138 AD  
CPC .. H04B 1/3833; H04B 1/3827; H04B 1/3855;  
H04B 2001/3861; H04M 1/0202; H04M  
1/03; H04M 1/035  
See application file for complete search history.

**FOREIGN PATENT DOCUMENTS**

EM	005503687-0001	*	7/2018
EM	005503687-0002	*	7/2018

\* cited by examiner

*Primary Examiner* — Bridget L Eland

(74) *Attorney, Agent, or Firm* — Juan Carlos A. Marquez;  
Marquez IP Law Office, PLLC

(57) **CLAIM**

The ornamental design for a walkie-talkie, as shown and described.

**DESCRIPTION**

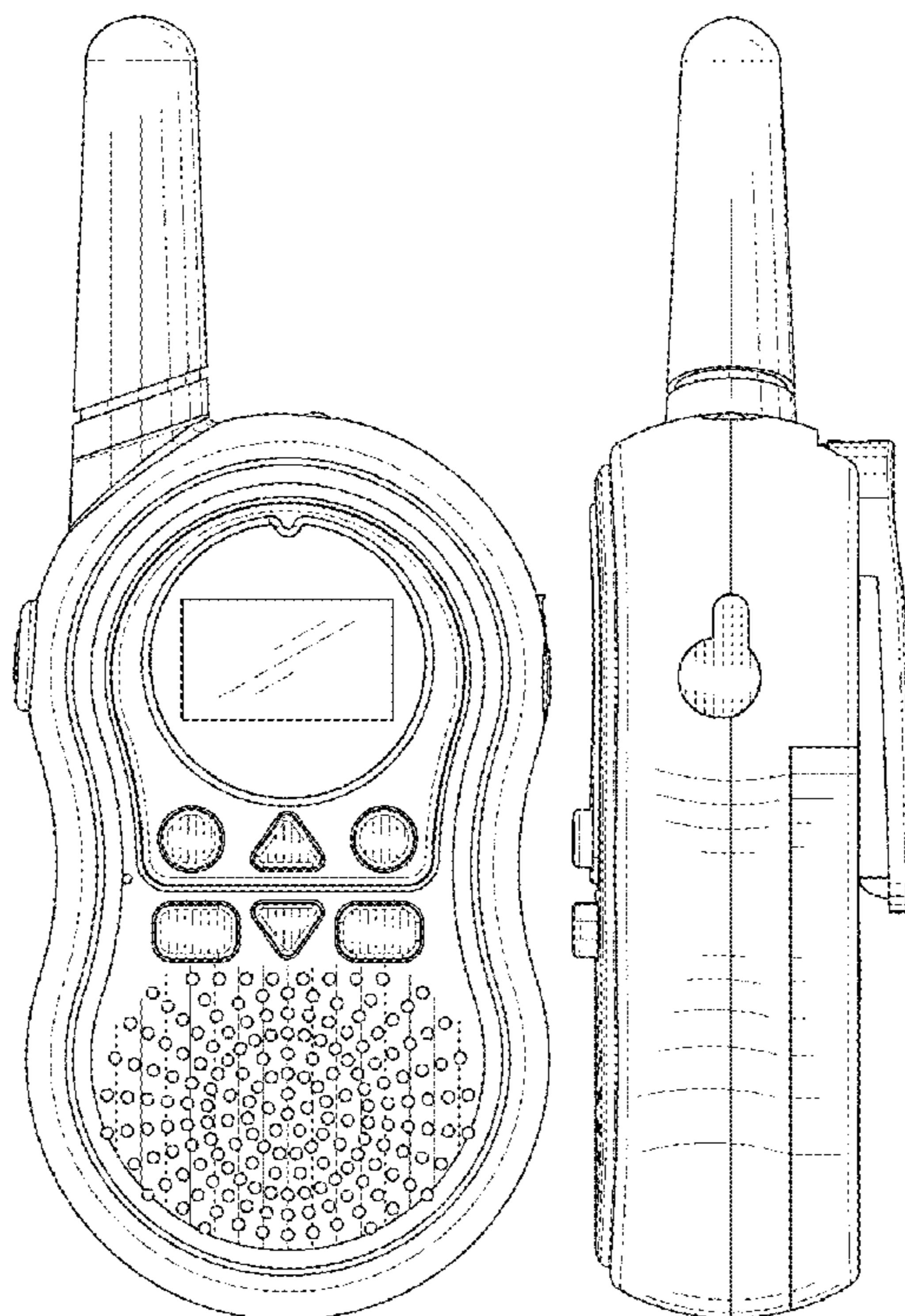
FIG. 1 is a perspective view of a walkie-talkie, showing my new design;  
 FIG. 2 is a front view thereof;  
 FIG. 3 is a rear view thereof;  
 FIG. 4 is a left-side view thereof;  
 FIG. 5 is a right-side view thereof;  
 FIG. 6 is a top view thereof; and,  
 FIG. 7 is a bottom view thereof.

**1 Claim, 5 Drawing Sheets**

(56) **References Cited**

**U.S. PATENT DOCUMENTS**

D428,866 S *	8/2000	You	.....	D14/137
D433,001 S *	10/2000	Haase	.....	D14/137
D434,401 S *	11/2000	Haase	.....	D14/137
D452,684 S *	1/2002	Sedan	.....	D14/137
D455,411 S *	4/2002	Wong	.....	D14/137
D467,888 S *	12/2002	Mirabelli	.....	D14/137



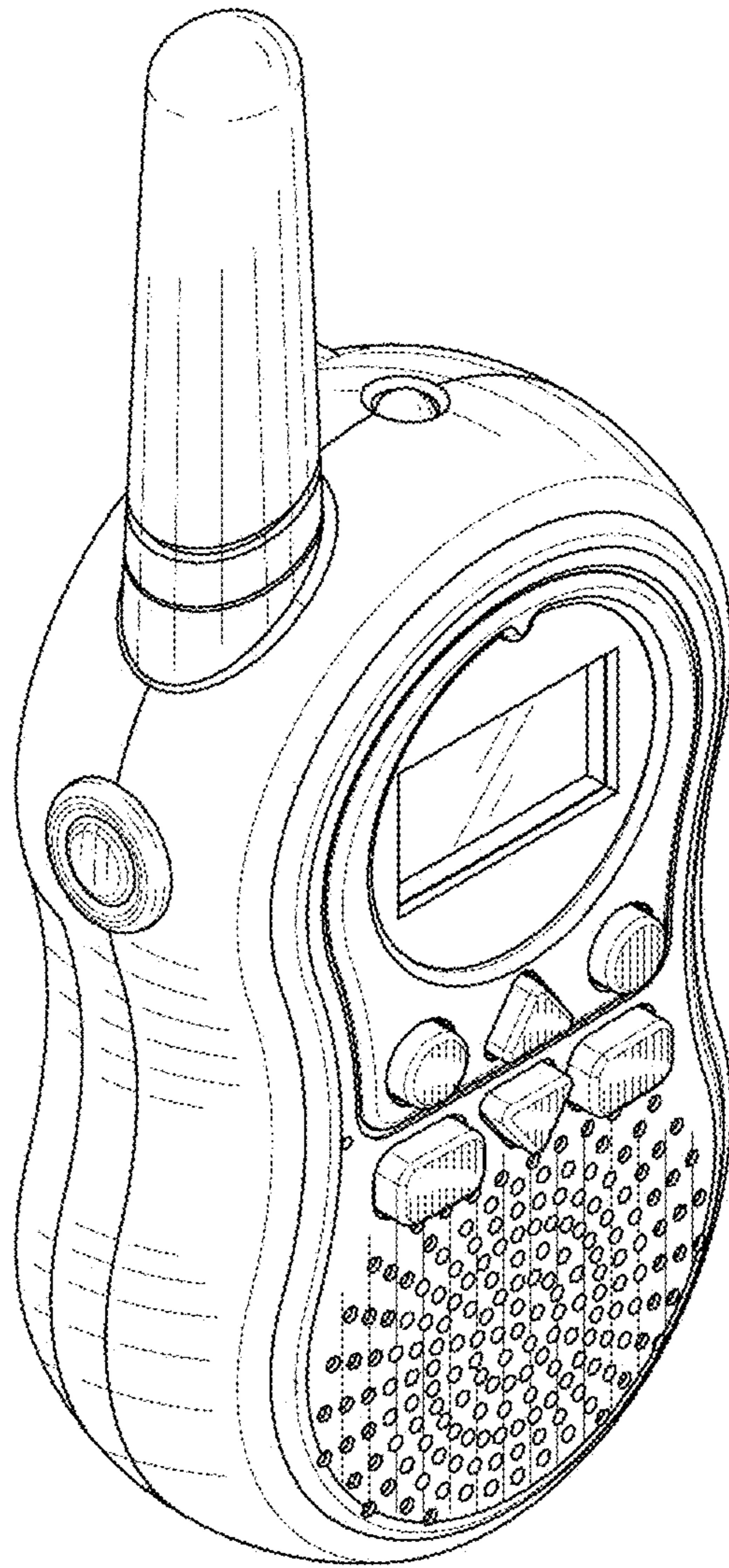


FIG. 1

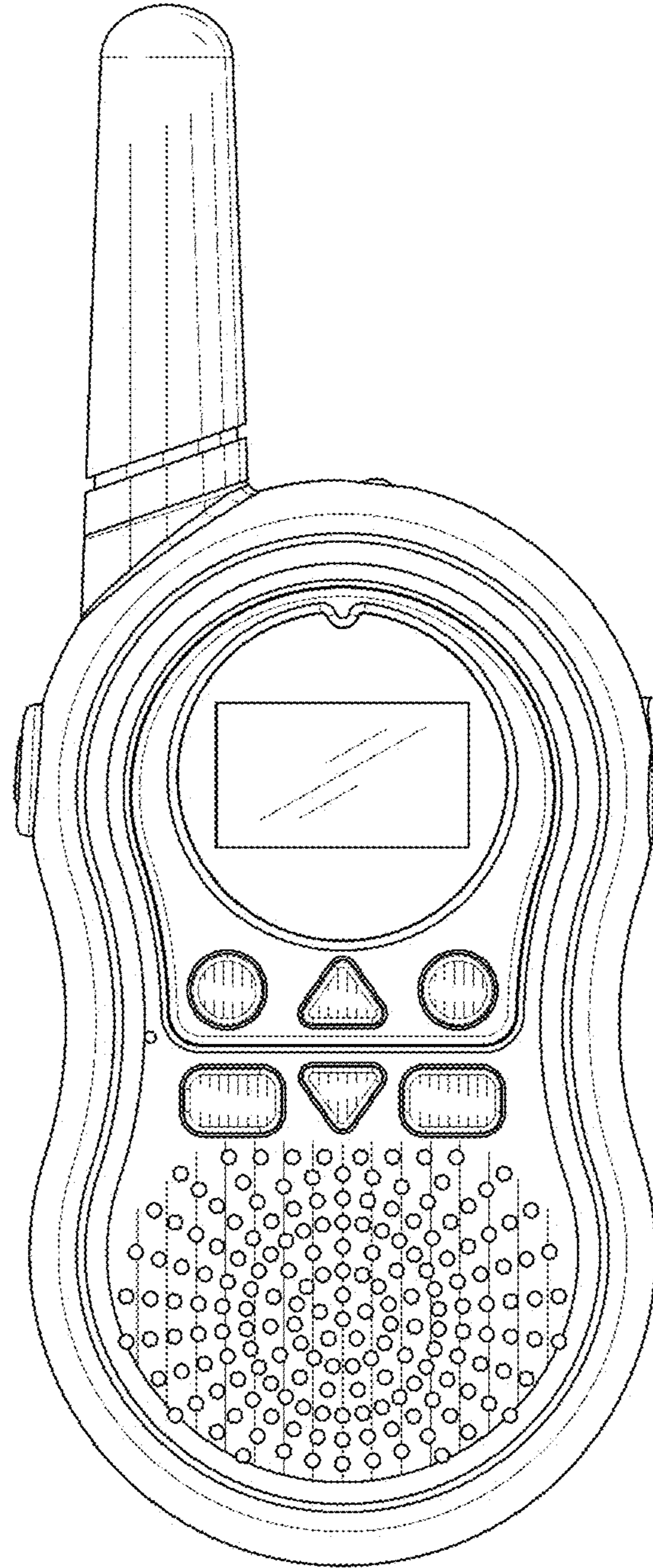


FIG. 2



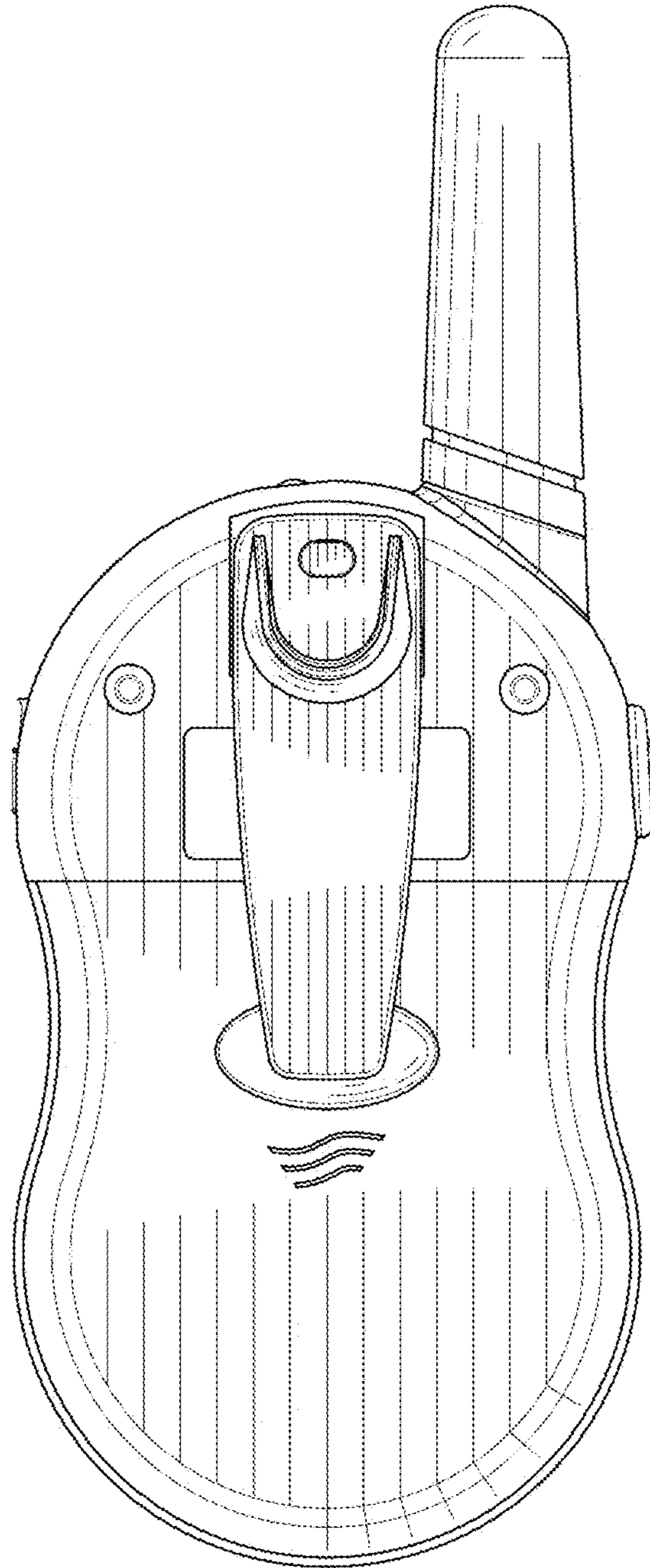


FIG. 3

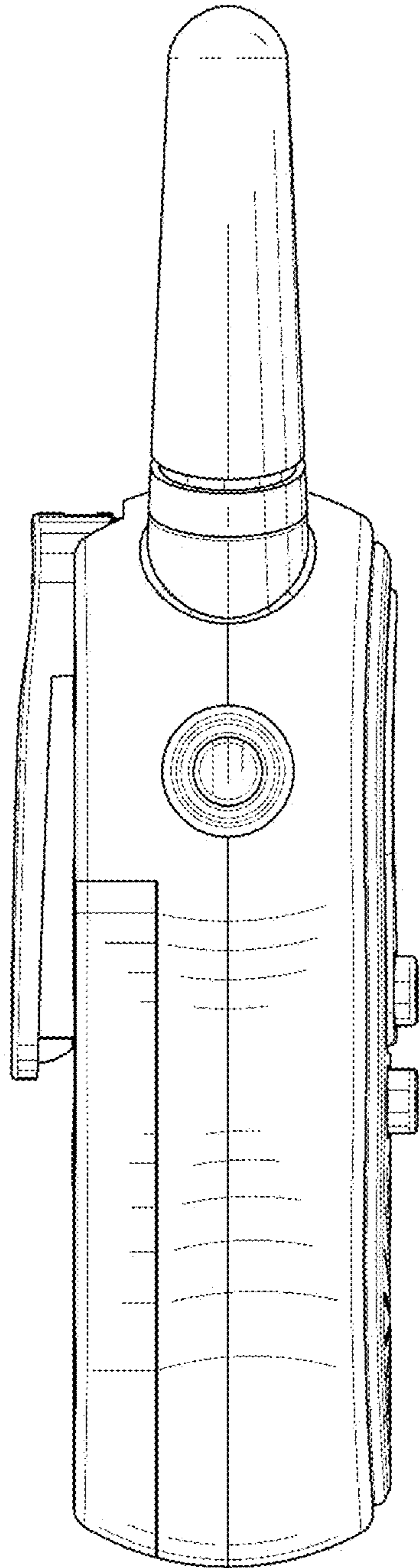


FIG. 4

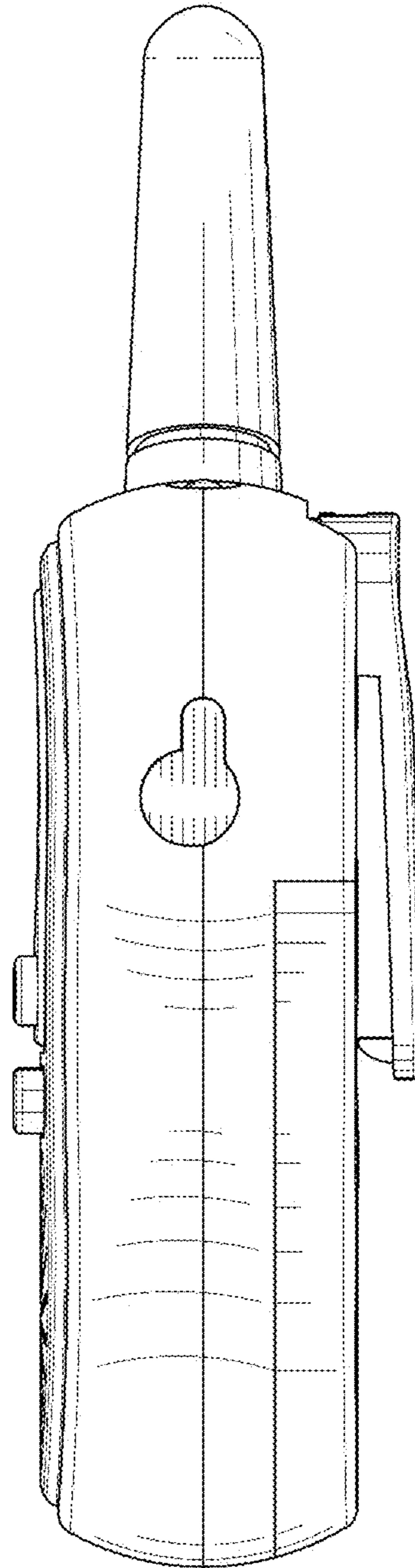


FIG. 5

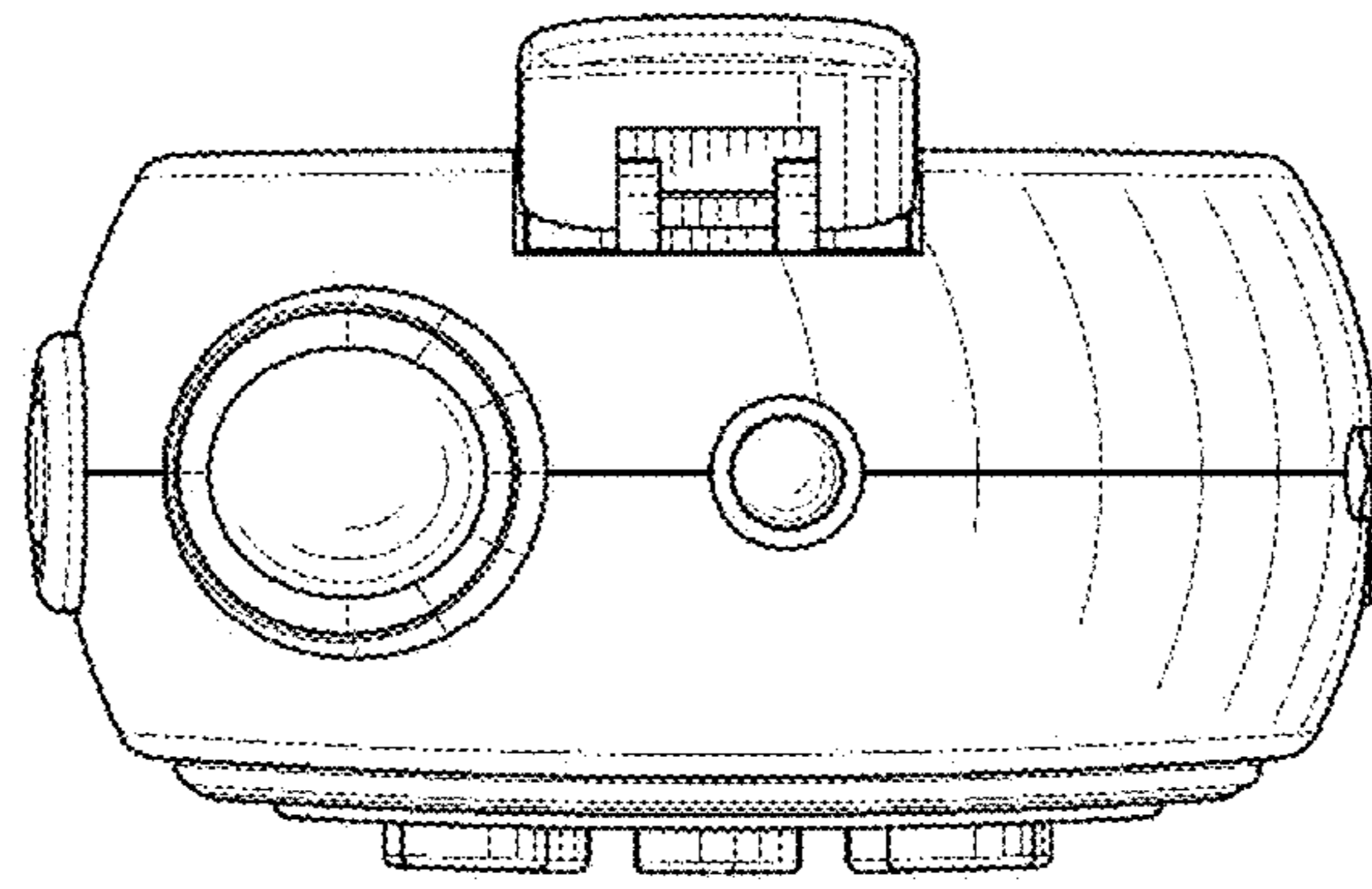


FIG. 6

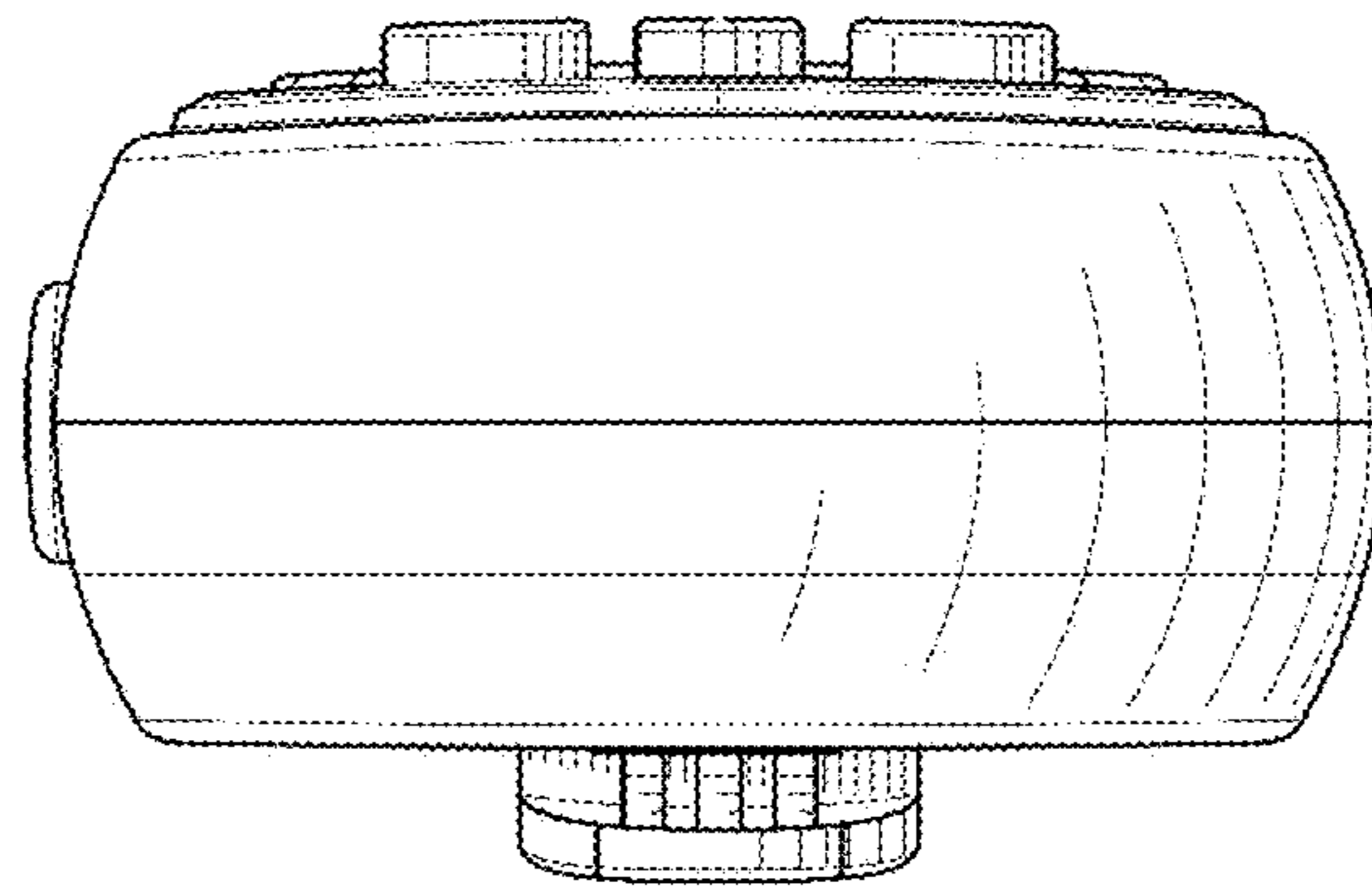


FIG. 7