



US00D881146S

(12) **United States Design Patent**
Nilsen et al.

(10) **Patent No.:** **US D881,146 S**
(45) **Date of Patent:** **** Apr. 14, 2020**

(54) **HANDHELD COMMUNICATION DEVICE**

(71) Applicant: **MOTOROLA SOLUTIONS, INC.**,
Chicago, IL (US)

(72) Inventors: **Ryan M. Nilsen**, Plantation, FL (US);
Goktug Duman, Oakland Park, FL
(US); **William Robertson**, Pompano
Beach, FL (US)

(73) Assignee: **MOTOROLA SOLUTIONS, INC.**,
Chicago, IL (US)

(**) Term: **15 Years**

(21) Appl. No.: **29/674,204**

(22) Filed: **Dec. 20, 2018**

(51) **LOC (12) Cl.** **14-03**

(52) **U.S. Cl.**
USPC **D14/137**

(58) **Field of Classification Search**
USPC D14/137, 138 R, 138 AA, 138 AD
CPC . H04L 31/3833; H04B 1/3827; H04B 1/3855;
H04B 2001/3861; H04B 1/3833; H04M
1/0202; H04M 1/03; H04M 1/035
See application file for complete search history.

(56) **References Cited**

U.S. PATENT DOCUMENTS

D490,786 S *	6/2004	Richards	D14/137
D497,600 S *	10/2004	Richards	D14/137
D564,999 S *	3/2008	Richards	D14/137
D635,945 S *	4/2011	Richards	D14/137

D654,035 S *	2/2012	Ismail	D14/137
D685,753 S *	7/2013	Kang	D14/137
D754,089 S *	4/2016	Yong	D14/137
D785,584 S *	5/2017	Nilsen	D14/137
D805,494 S *	12/2017	Richards	D14/137
D818,513 S *	5/2018	Girotti	D16/202
D857,642 S *	8/2019	Nilsen	D14/137
10,480,711 B1 *	11/2019	Tran	F16M 13/04
2008/0242375 A1 *	10/2008	Garcia	H04B 1/3833 455/575.1

* cited by examiner

Primary Examiner — Bridget L Eland

(74) *Attorney, Agent, or Firm* — Raguraman Kumaresan

(57) **CLAIM**

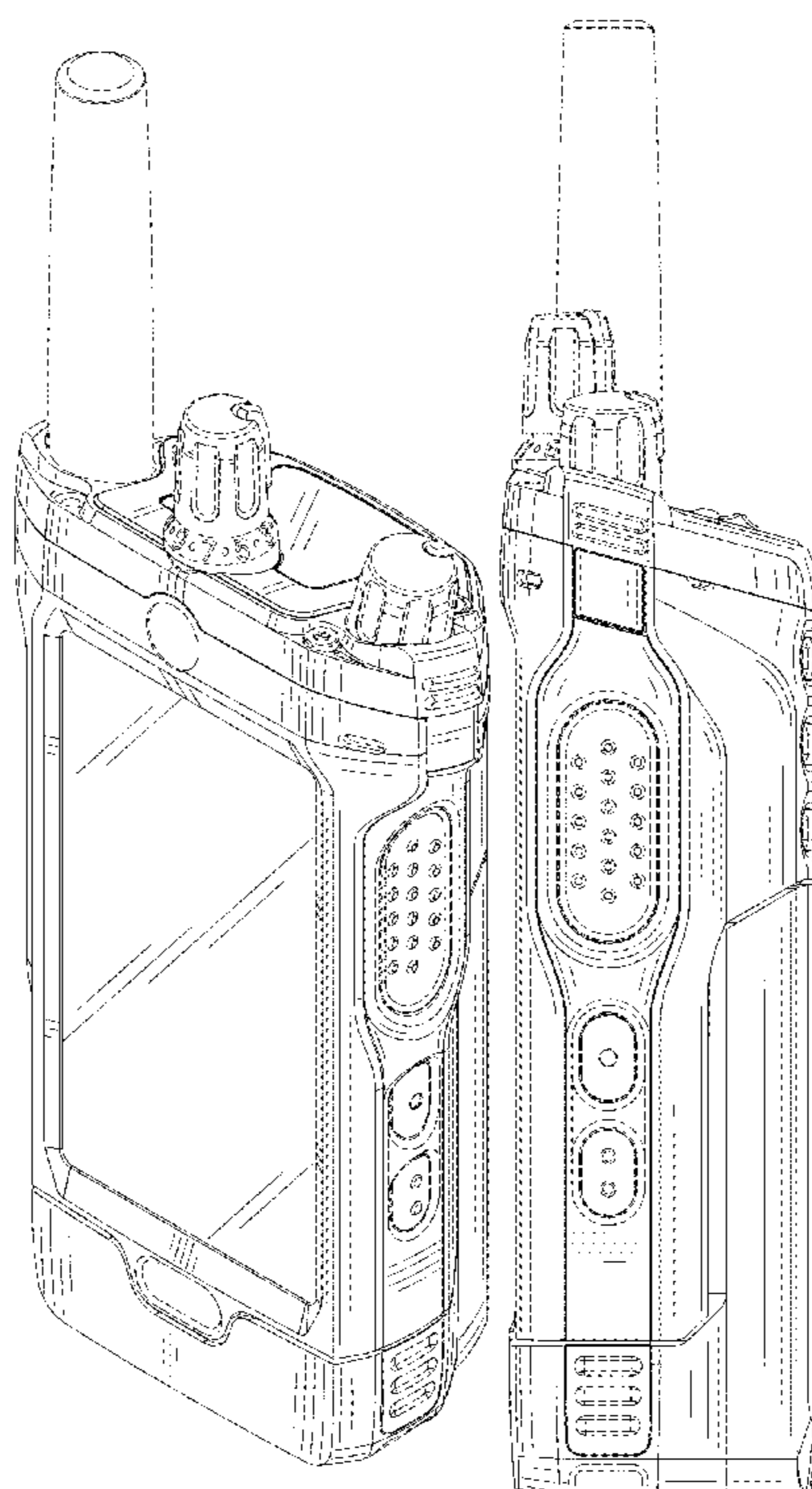
The ornamental design for a handheld communication device, as shown and described.

DESCRIPTION

FIG. 1 is a front perspective view of a handheld communication device showing our new design; FIG. 2 is a rear perspective view thereof; FIG. 3 is a front view thereof; FIG. 4 is a rear view thereof; FIG. 5 is a first side view thereof; FIG. 6 is a second side view thereof; FIG. 7 is a top view thereof; and, FIG. 8 is a bottom view thereof.

The broken lines shown in FIGS. 1-8, that are immediately adjacent to the shaded areas, and define the unshaded regions, are for illustrative purposes only; the portions shown in broken lines form part of the article but do not form part of the claimed design.

1 Claim, 7 Drawing Sheets



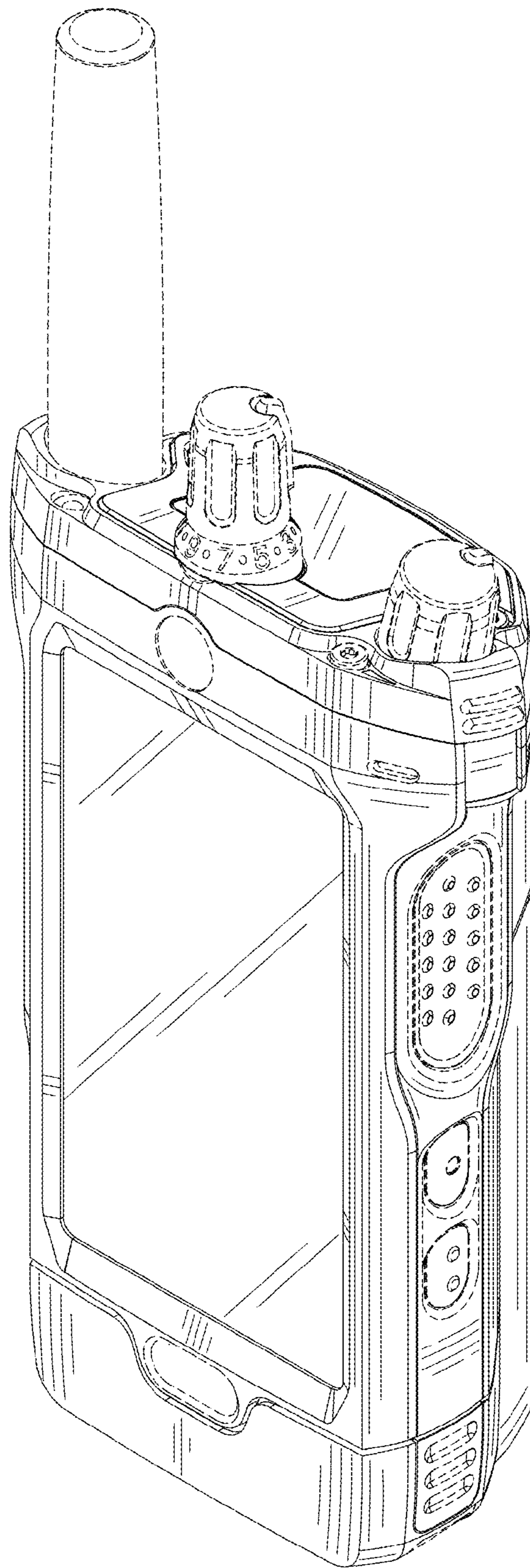


FIG. 1

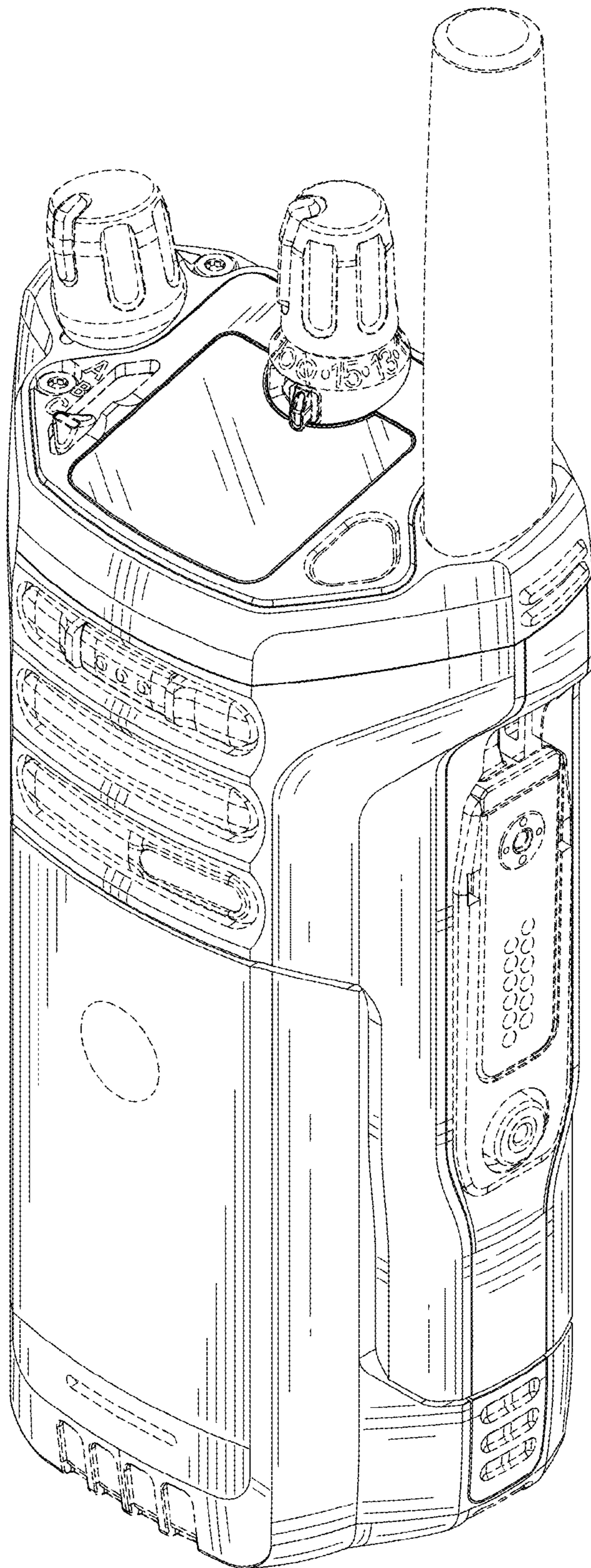


FIG. 2

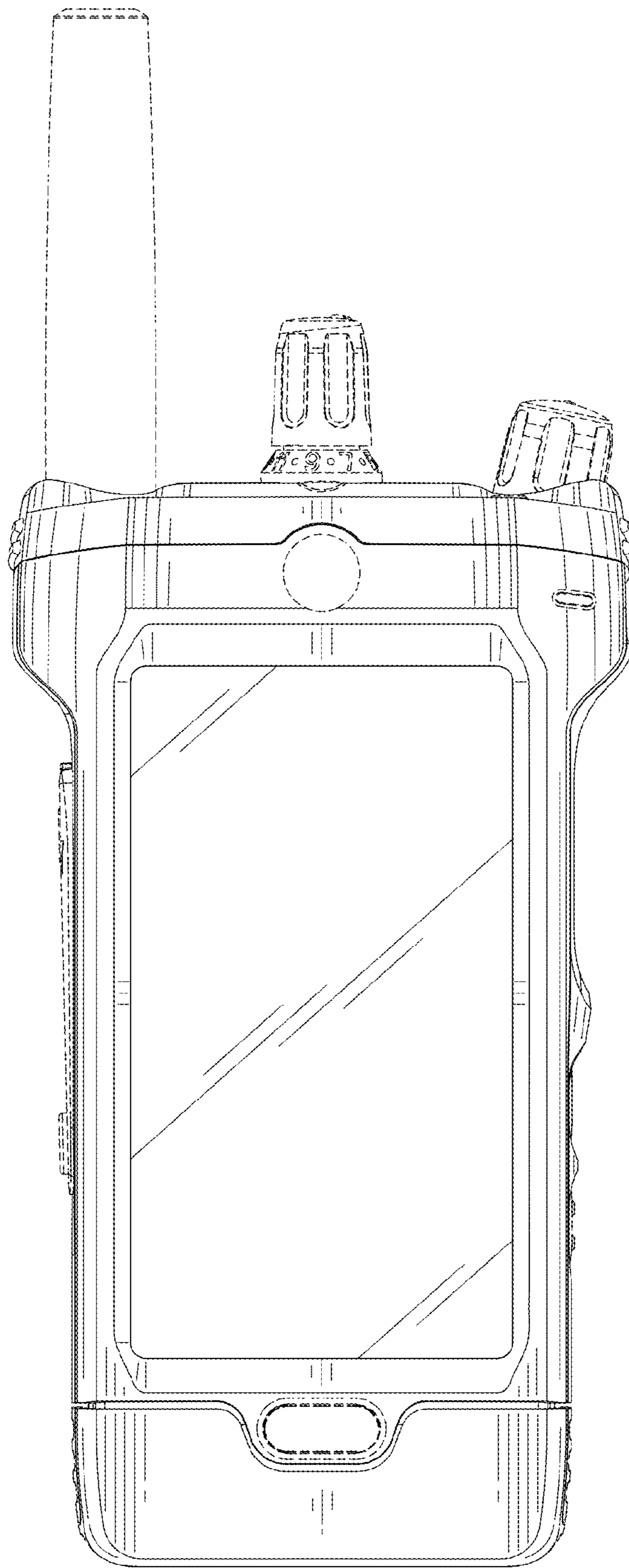


FIG. 3

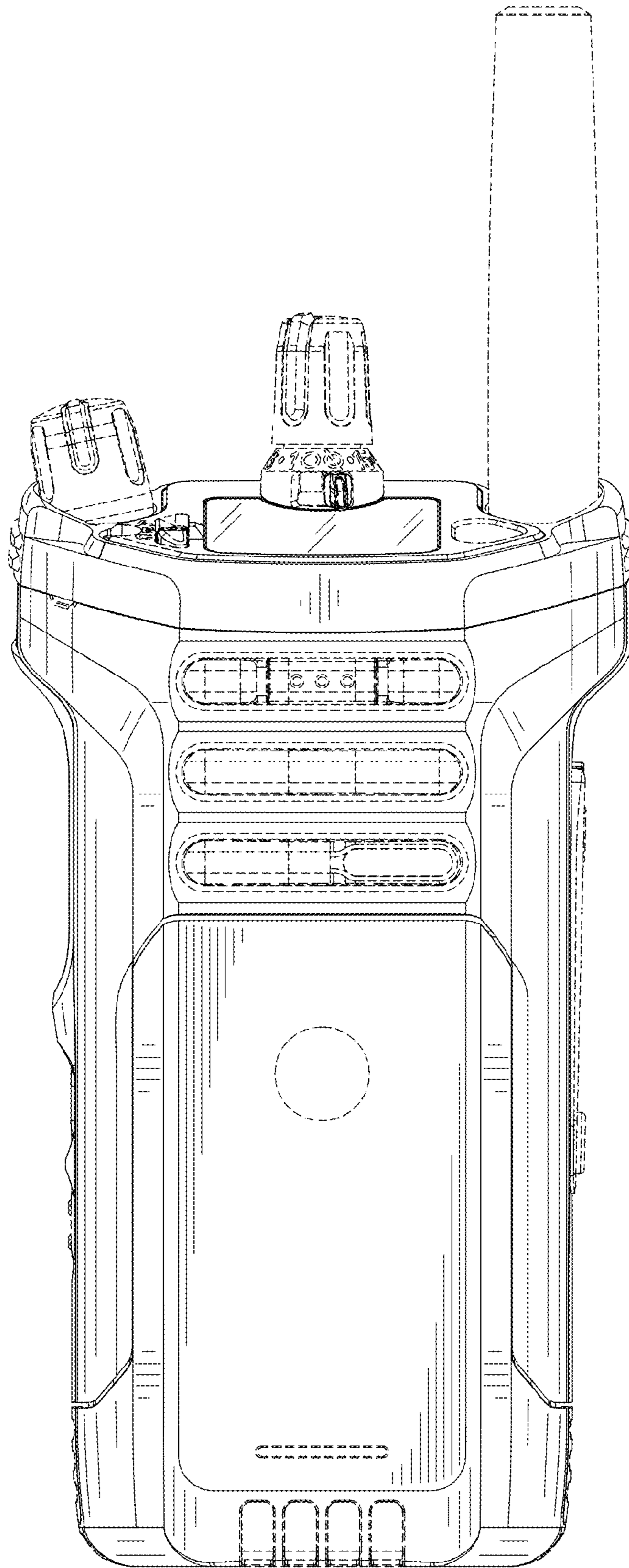


FIG. 4

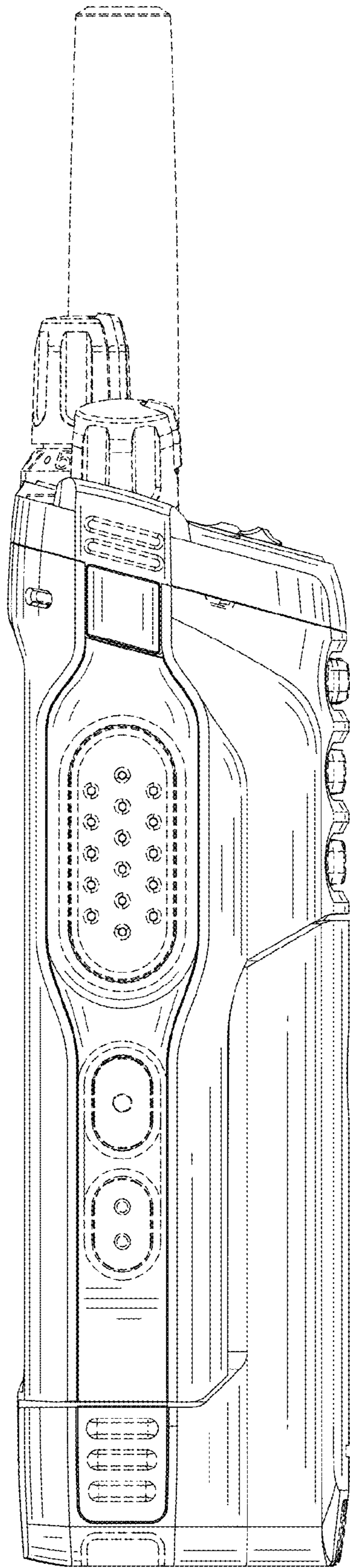


FIG. 5

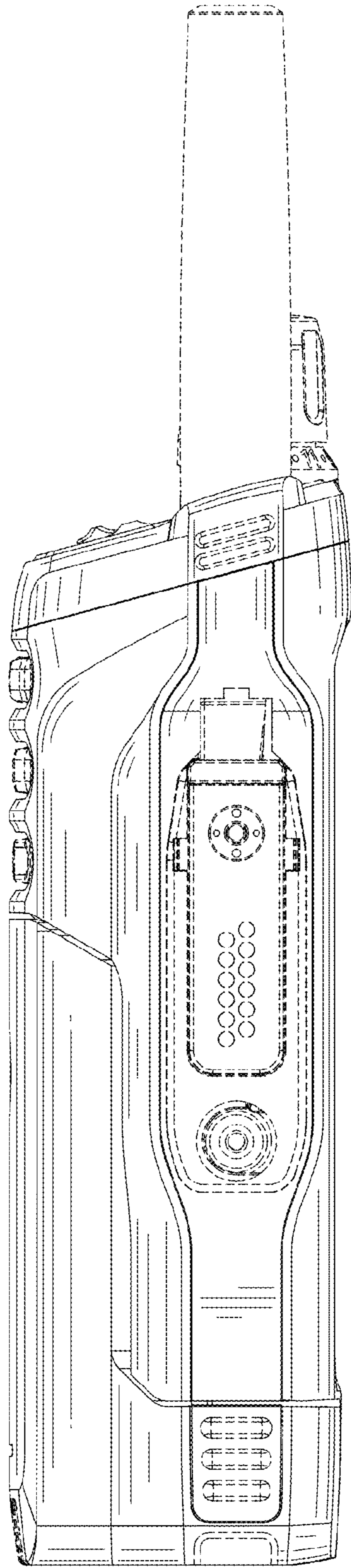


FIG. 6

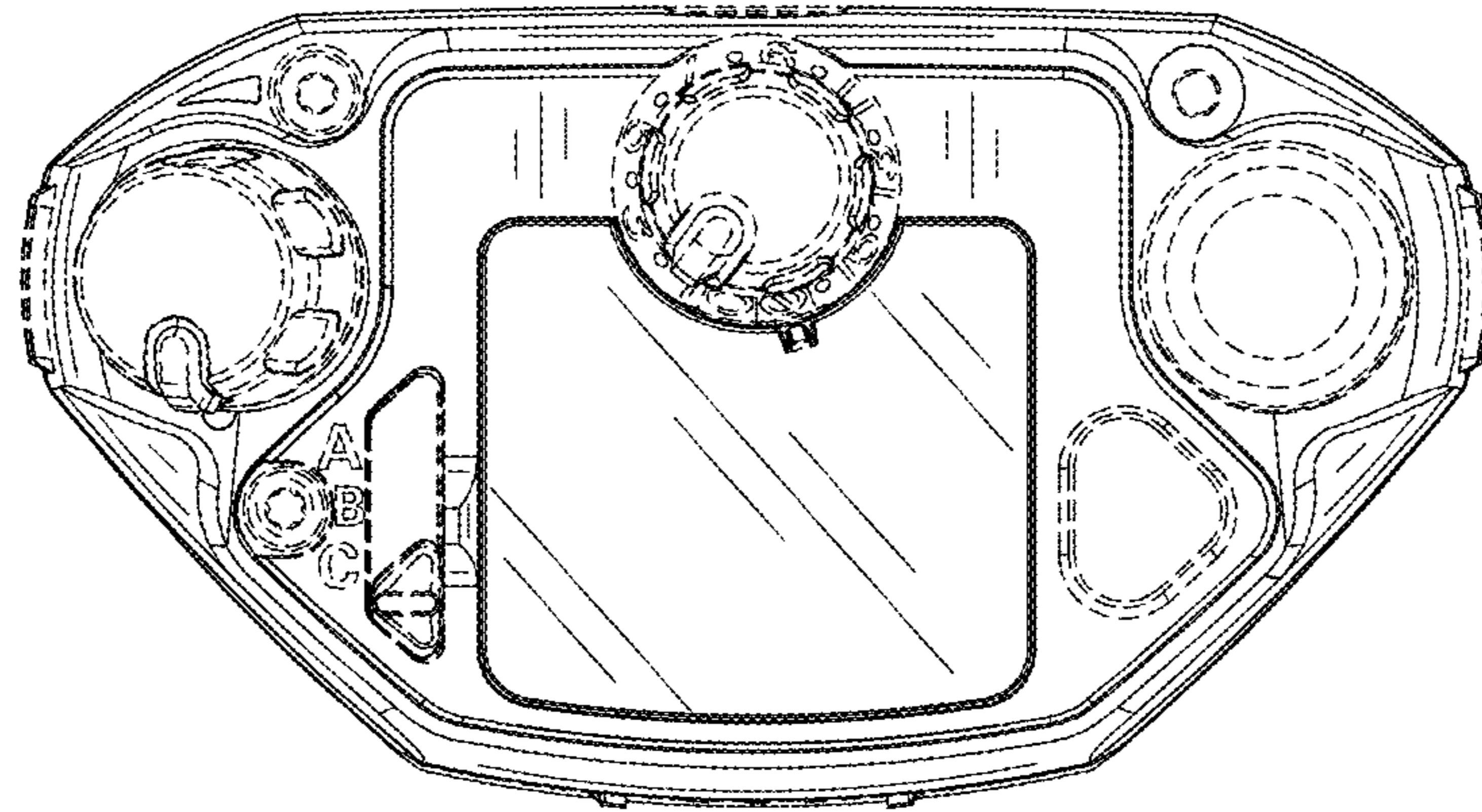


FIG. 7

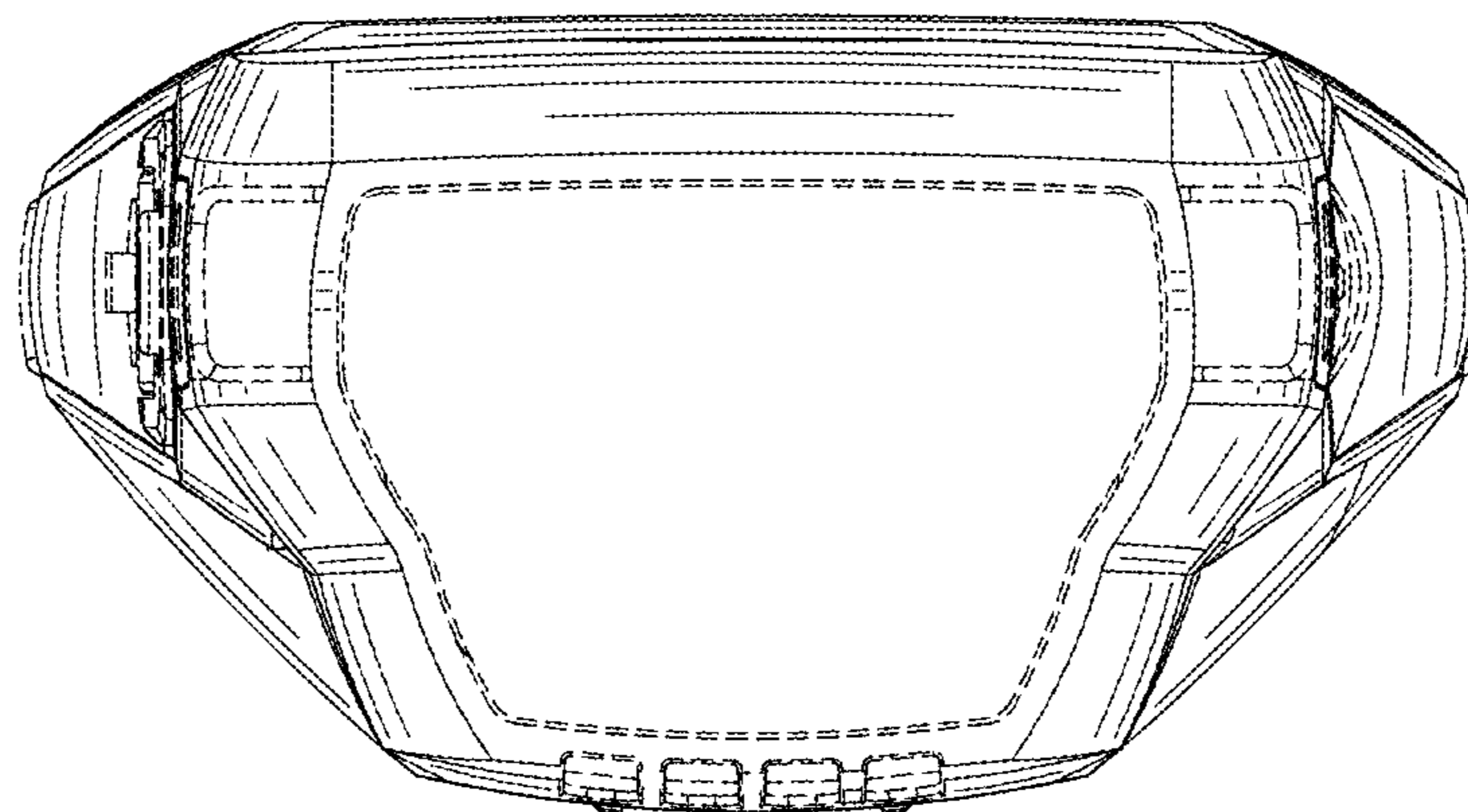


FIG. 8