



US00D881145S

(12) **United States Design Patent**
Kim

(10) **Patent No.:** **US D881,145 S**
(45) **Date of Patent:** **** Apr. 14, 2020**

(54) **MONITOR FOR DATA PROCESSING
DEVICE**

D856,715 S * 8/2019 Robins D6/642
D859,499 S * 9/2019 Zhang D16/219
D868,717 S * 12/2019 Hodgson D14/127

(71) Applicant: **SFB LOGITEL INC.**, Seoul (KR)

(72) Inventor: **Hyung Gyu Kim**, Seoul (KR)

(**) Term: **15 Years**

(21) Appl. No.: **35/506,357**

(22) Filed: **Aug. 29, 2018**

(80) **Hague Agreement Data**

Int. Filing Date: **Aug. 29, 2018**
Int. Reg. No.: **DM/103593**
Int. Reg. Date: **Aug. 29, 2018**
Int. Reg. Pub. Date: **Mar. 1, 2019**

(51) **LOC (12) Cl.** **14-03**

(52) **U.S. Cl.**
USPC **D14/127; D14/373**

(58) **Field of Classification Search**
USPC D14/127, 129, 316, 336, 371, 373-377;
D6/641, 642, 685, 686; D16/200, 202,
D16/203, 208; D20/10, 18, 19, 21
CPC G06F 1/626; H04N 5/64; H04N 5/645;
H05K 5/0204
See application file for complete search history.

(56) **References Cited**

U.S. PATENT DOCUMENTS

D496,184 S * 9/2004 Sapp D14/305
D617,122 S * 6/2010 Moon D6/686
D632,661 S * 2/2011 Micallef D14/127
D765,660 S * 9/2016 Kim D14/375
D788,725 S * 6/2017 Tompkin D14/127
D810,828 S * 2/2018 Sinesi D20/42
D831,106 S * 10/2018 Saeed D18/4.5
D831,746 S * 10/2018 Lim D20/10

OTHER PUBLICATIONS

SFB Logitel, Inc.—Youtube; “SFB Logitel (LSD-2904PMFCB)”;
‘https://www.youtube.com/watch?v=PcgZkLJcRFA’; dated Oct. 29,
2019 [online]; accessed Dec. 2, 2019; 1p. (Year: 2019).*
SFB Logitel, Inc.—Youtube; “SFB Logitel (LWD-2204PMF)”;
‘https://www.youtube.com/watch?v=AB5JNapLb5M’; dated Oct. 3,
2018 [online]; accessed Dec. 2, 2019; 1p. (Year: 2018).*

* cited by examiner

Primary Examiner — Keli L Hill

(57) **CLAIM**

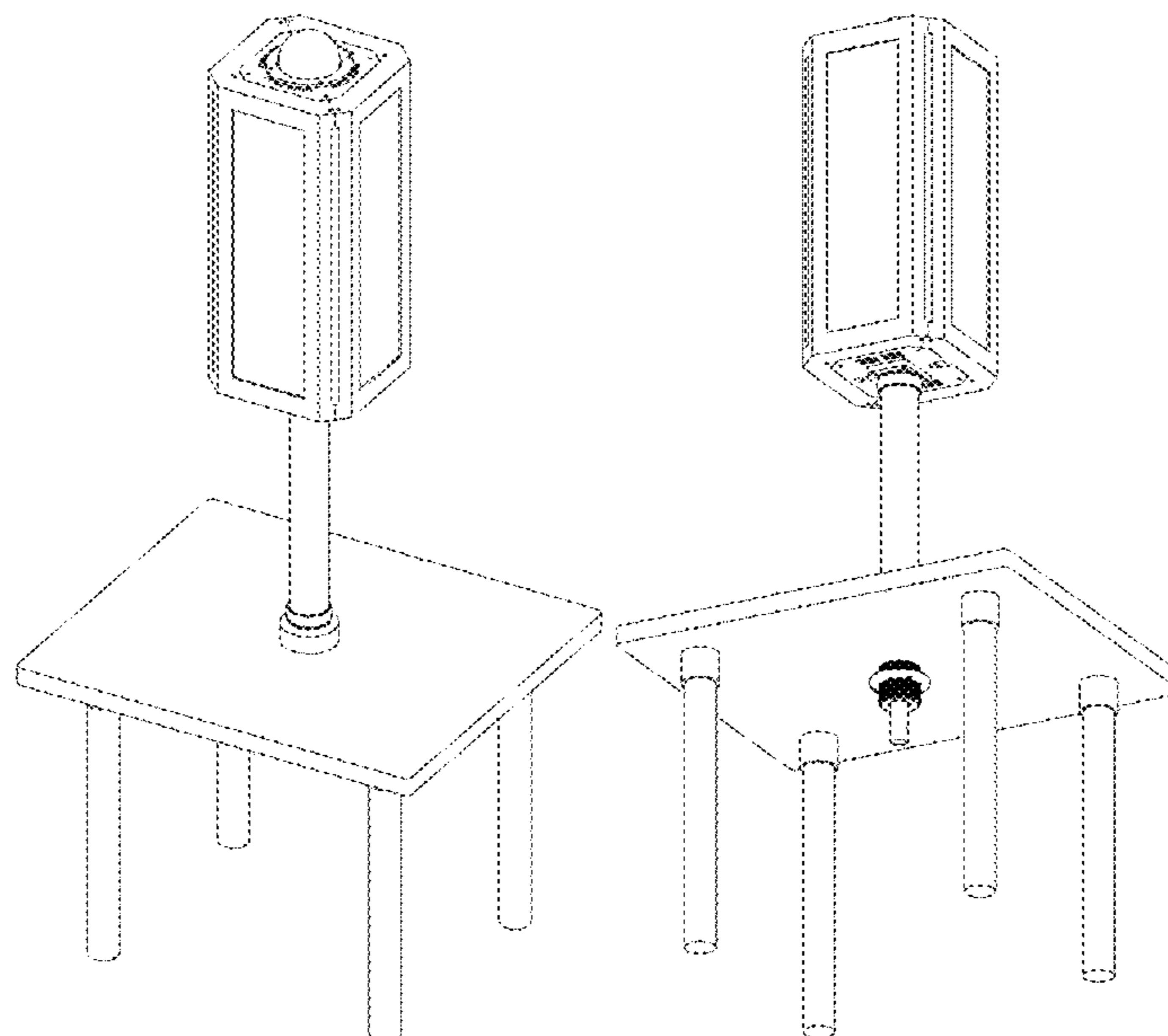
The ornamental design for a monitor for data processing device, as shown and described.

DESCRIPTION

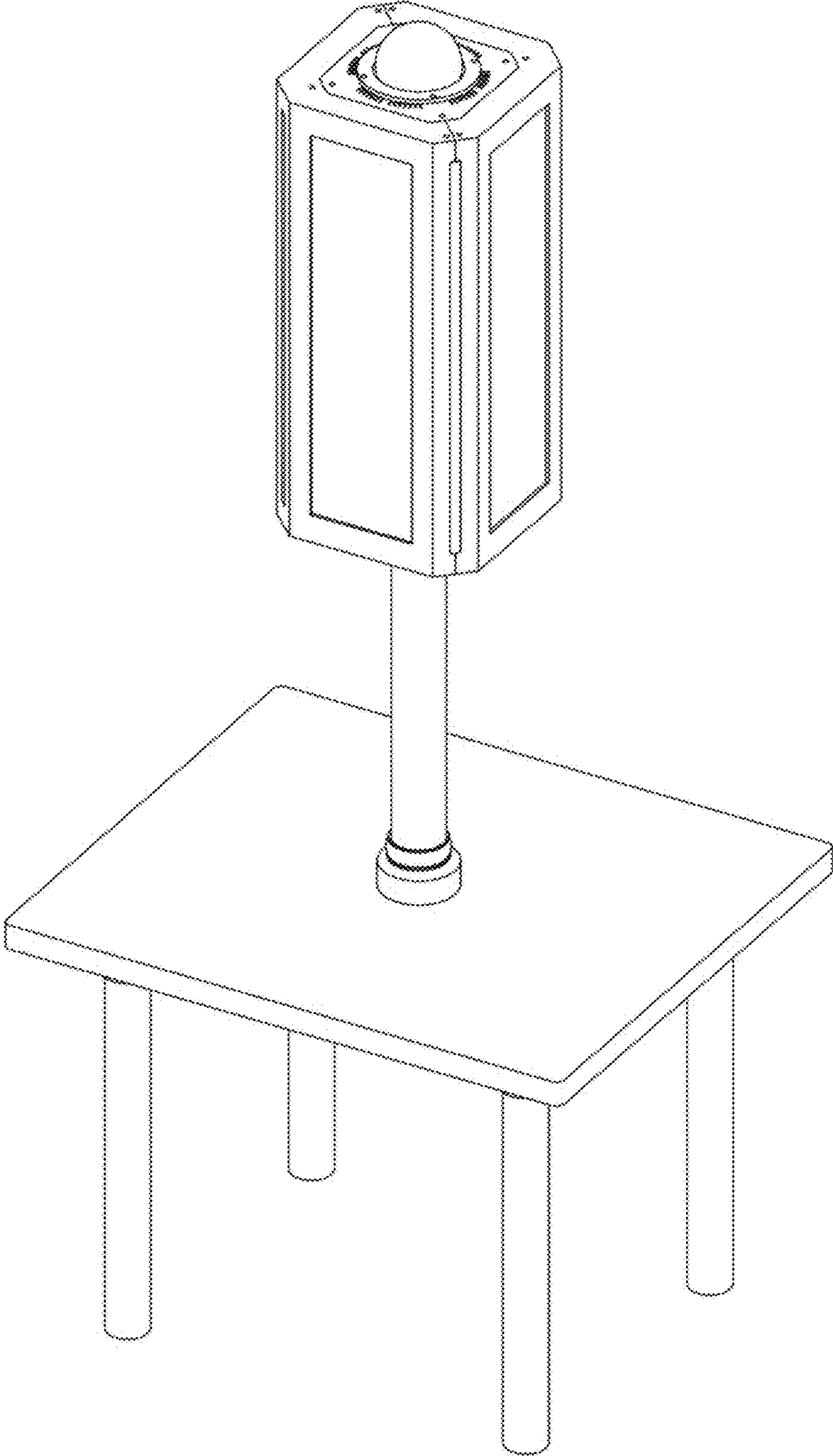
- 1. Monitor for data processing device
- 1.1 : Perspective
- 1.2 : Front
- 1.3 : Back
- 1.4 : Left
- 1.5 : Right
- 1.6 : Top
- 1.7 : Bottom
- 1.8 : Perspective
- 1.9 : Enlarged

This article is a monitor having four screens which are arranged perpendicularly; reproduction 1.9 is an enlarged view of reproduction 1.8; the dot-dash broken lines in reproduction 1.9 form no part of the claimed design.

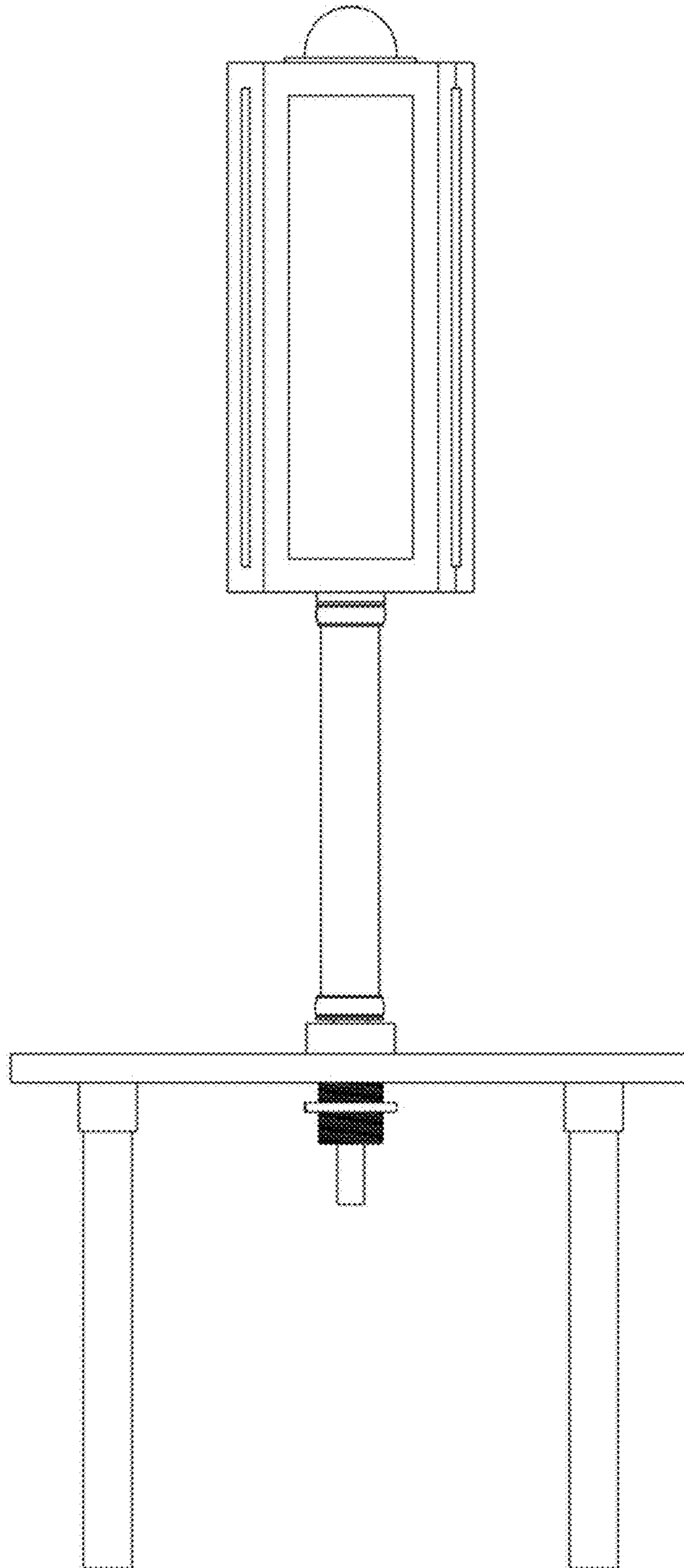
1 Claim, 9 Drawing Sheets



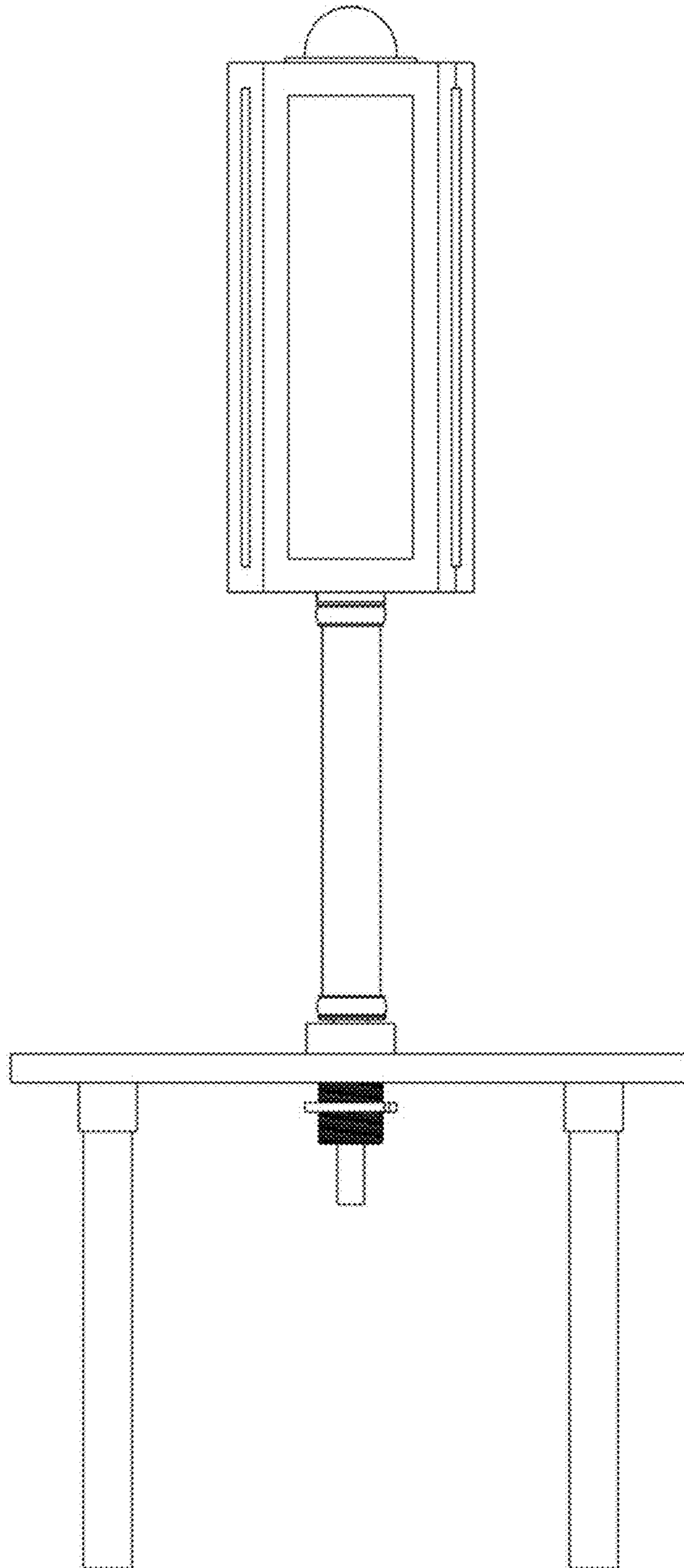
1.1



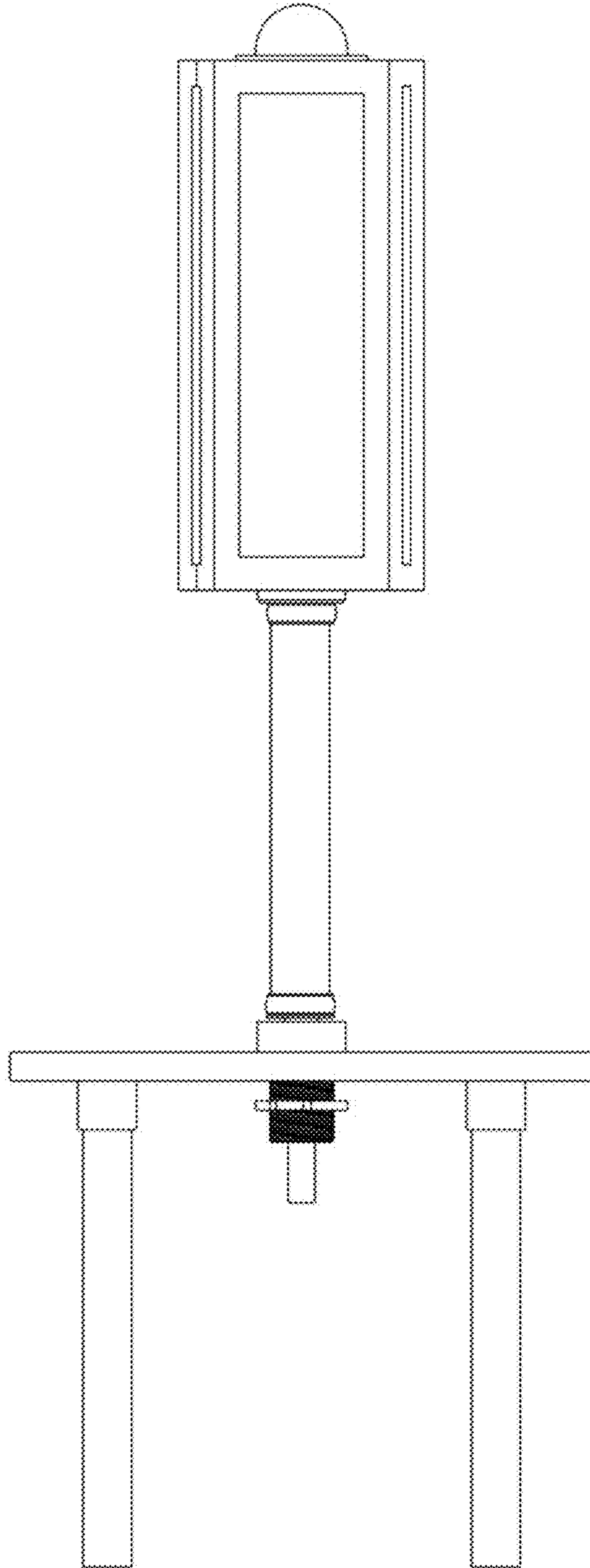
1.2



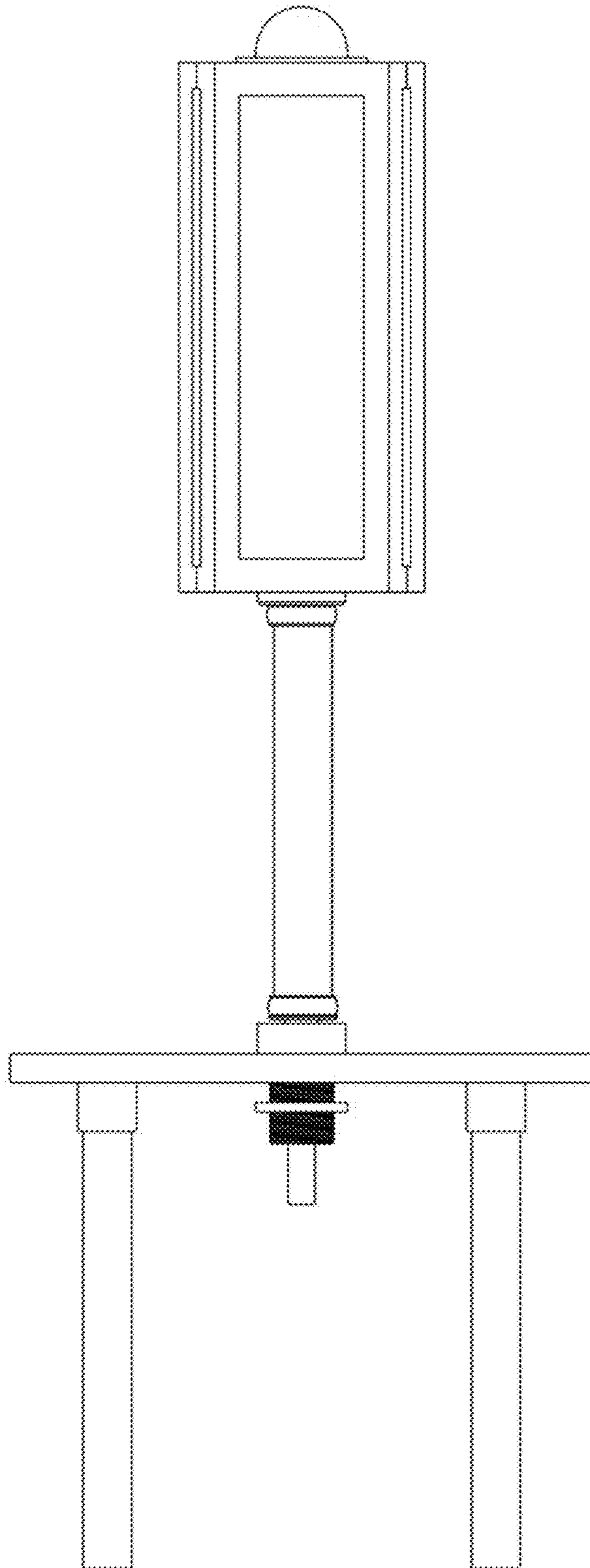
1.3



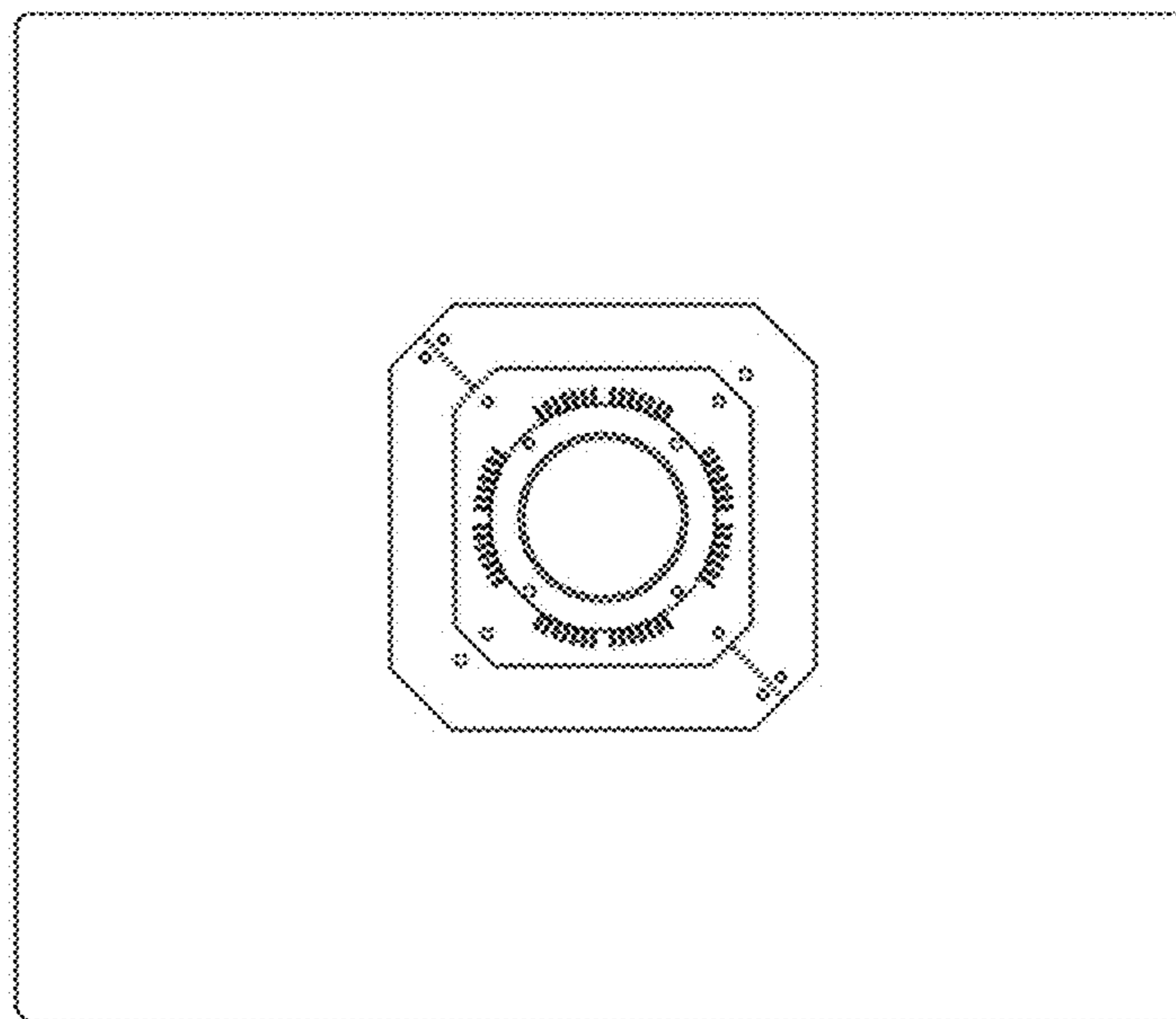
1.4



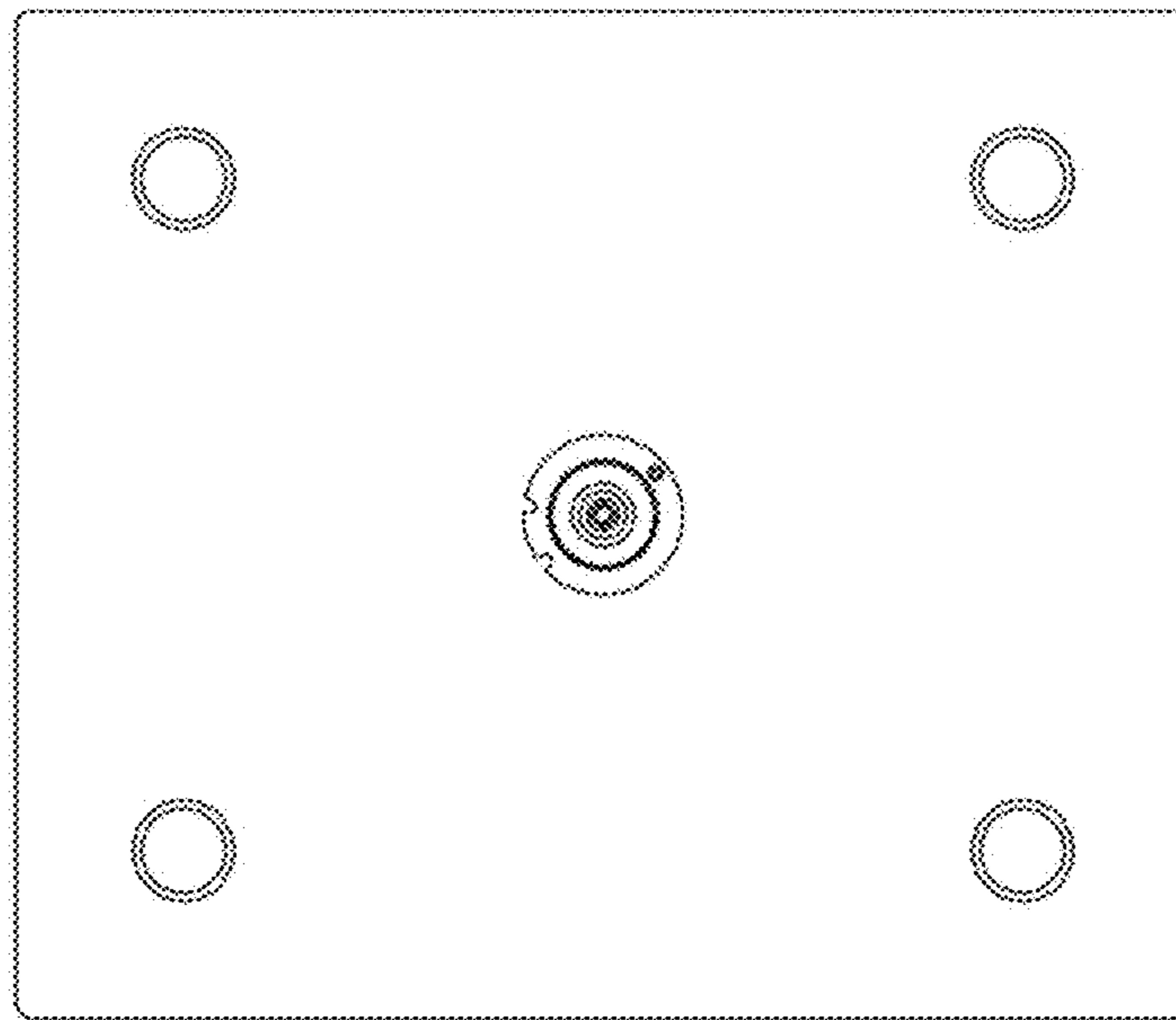
1.5



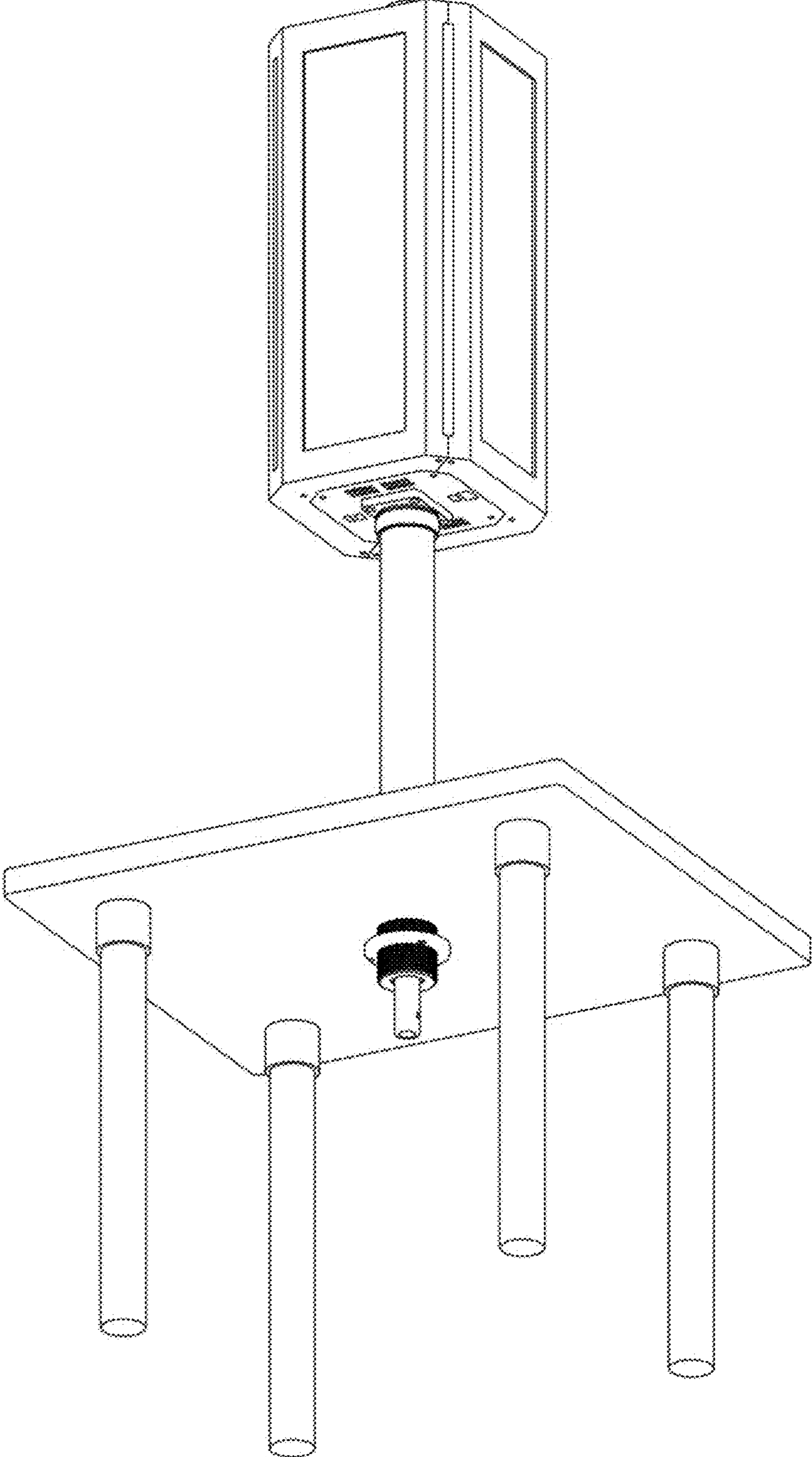
1.6



1.7



1.8



1.9

