



US00D881144S

(12) **United States Design Patent**
Telefus

(10) **Patent No.:** **US D881,144 S**
(45) **Date of Patent:** **** Apr. 14, 2020**

- (54) **ELECTRICAL OUTLET DONGLE**
- (71) Applicant: **Mark Telefus**, Orinda, CA (US)
- (72) Inventor: **Mark Telefus**, Orinda, CA (US)
- (**) Term: **15 Years**
- (21) Appl. No.: **29/647,173**
- (22) Filed: **May 10, 2018**
- (51) **LOC (12) Cl.** **13-99**
- (52) **U.S. Cl.**
USPC **D13/199**
- (58) **Field of Classification Search**
USPC D13/107, 108, 110, 123, 133,
D13/137.1-137.4, 138.1-138.2,
D13/139.1-139.8, 152, 154, 184, 147,
D13/199
CPC H01R 11/00; H01R 9/00; H01R 13/00;
H01R 13/04; H01R 13/10; H01R
13/6666; H01R 13/6675; H01R 25/00;
H01R 25/006; H01H 2207/00; H01H
2207/022
See application file for complete search history.

- 9,366,702 B2 6/2016 Steele et al.
- 9,439,318 B2 9/2016 Chen
- 9,502,832 B1 11/2016 Ullahkhan et al.
- 9,509,083 B2 * 11/2016 Yang H01R 13/5202
- D814,424 S * 4/2018 DeCosta D13/152
- 9,991,633 B2 * 6/2018 Robinet H01R 13/6275
- 2010/0261373 A1 10/2010 Roneker
- 2019/0280887 A1 * 9/2019 Telefus H02J 7/00

* cited by examiner

Primary Examiner — Rosemary K Tarcza
Assistant Examiner — Christy M Nemeth
(74) *Attorney, Agent, or Firm* — Mark Wisnosky

(57) **CLAIM**

The ornamental design for an electrical outlet dongle, as shown and described.

DESCRIPTION

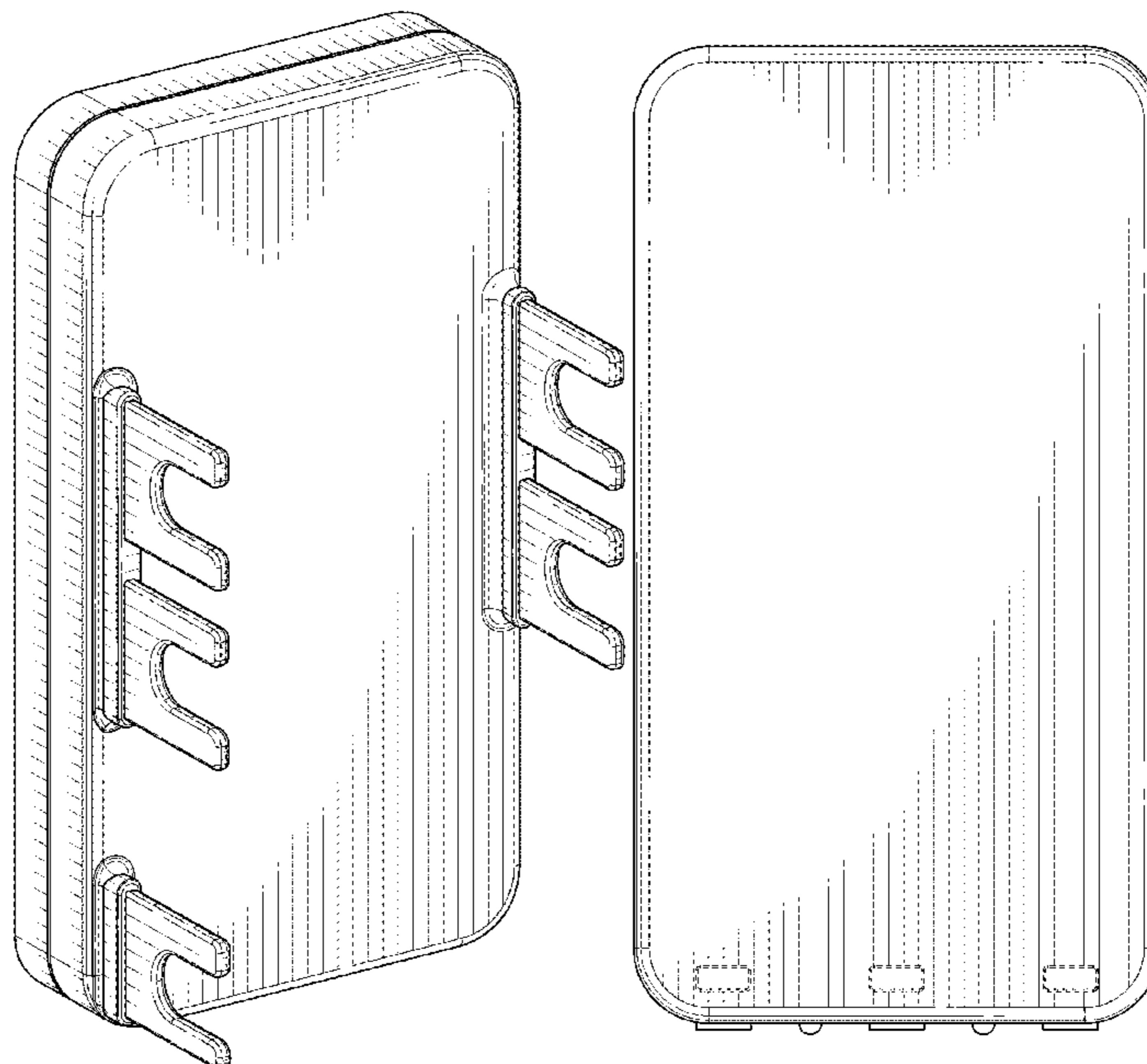
FIG. 1 is an exploded back perspective view of an electrical outlet dongle of my new design.
 FIG. 2 is a back perspective view of the electrical outlet dongle.
 FIG. 3 is a back elevation view of the electrical outlet dongle.
 FIG. 4 is a front elevation view of the electrical outlet dongle.
 FIG. 5 is a right side view of the electrical outlet dongle.
 FIG. 6 is a left side view of the electrical outlet dongle.
 FIG. 7 is a top view of the electrical outlet dongle; and,
 FIG. 8 is a bottom view of the electrical outlet dongle.
 The broken lines shown in FIG. 1 are for the purpose of illustrating environmental subject matter that forms no part of the claimed design. The broken lines shown in FIG. 4 are for the purpose of illustrating portions of the electrical outlet dongle that form no part of the claimed design.

(56) **References Cited**

U.S. PATENT DOCUMENTS

- 6,843,680 B2 * 1/2005 Gorman H01R 4/44
439/535
- 7,045,723 B1 * 5/2006 Projkovski H01R 13/7035
200/51.09
- D558,683 S * 1/2008 Pape D13/158
- D568,253 S * 5/2008 Gorman D13/146
- 7,367,121 B1 * 5/2008 Gorman H01R 13/652
174/53
- D638,355 S * 5/2011 Chen D13/110
- 8,124,888 B2 2/2012 Etemad-Moghadam et al.
- D720,295 S * 12/2014 Dodal D13/139.1

1 Claim, 7 Drawing Sheets



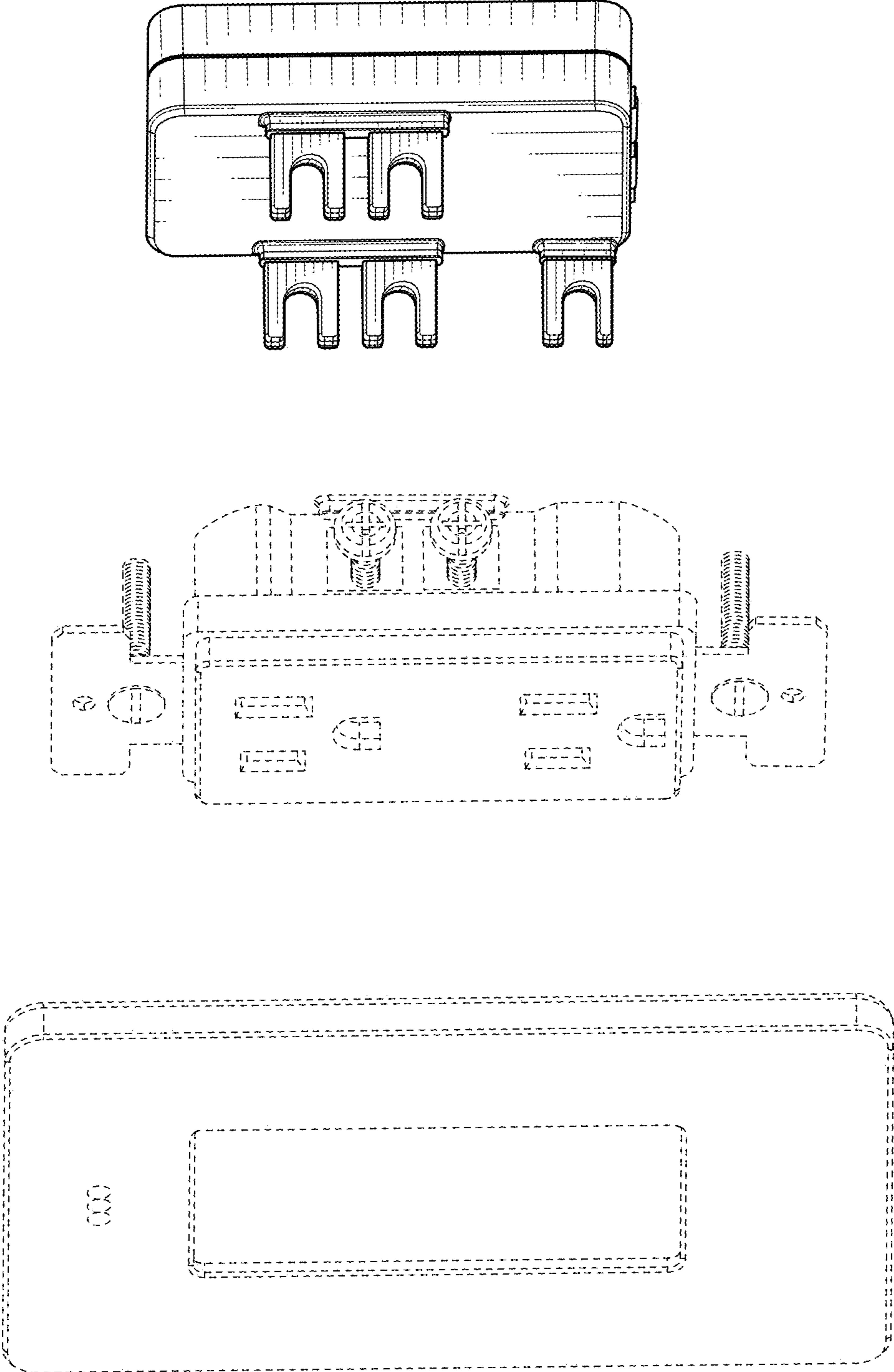


FIG. 1

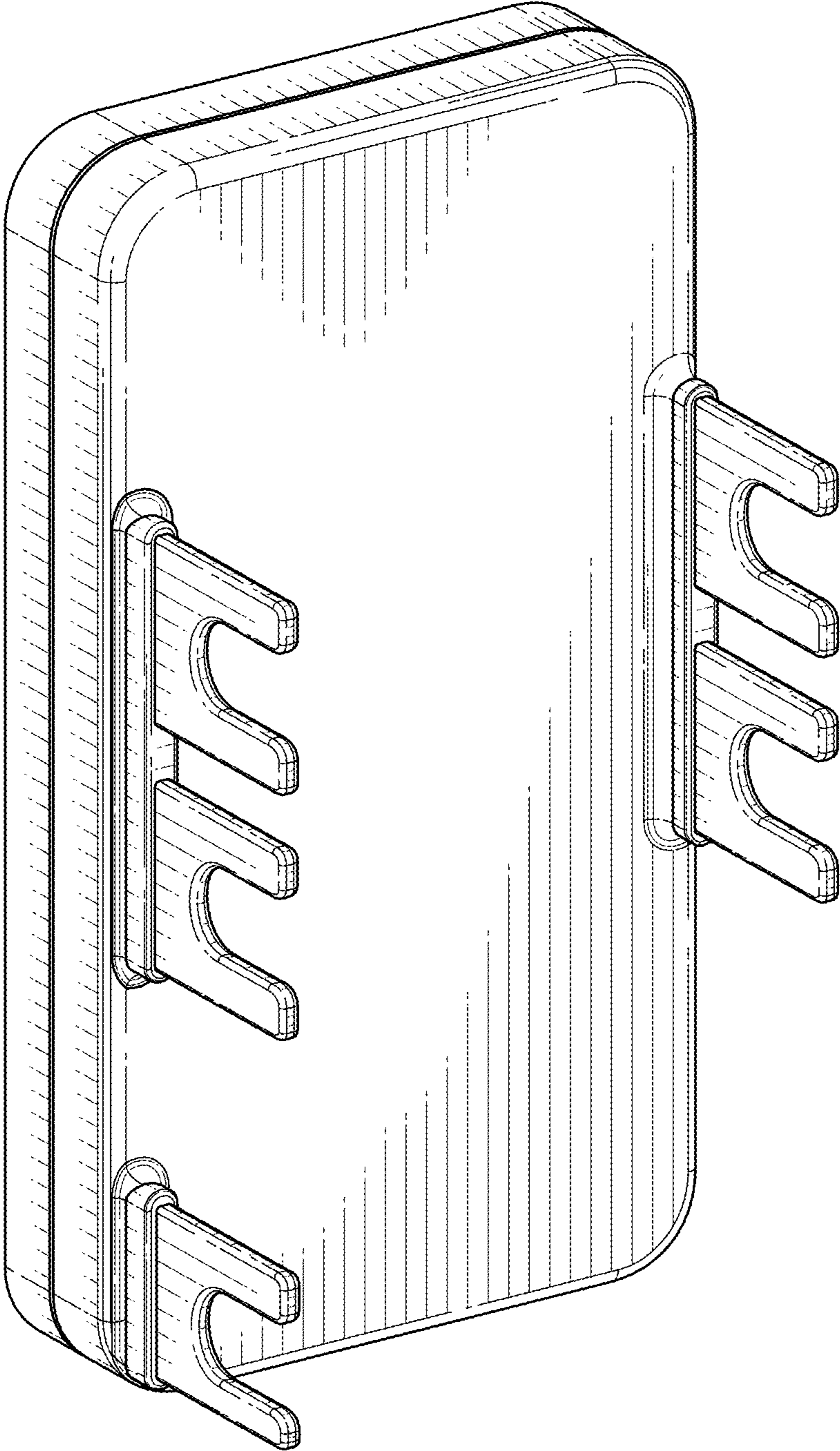


FIG. 2

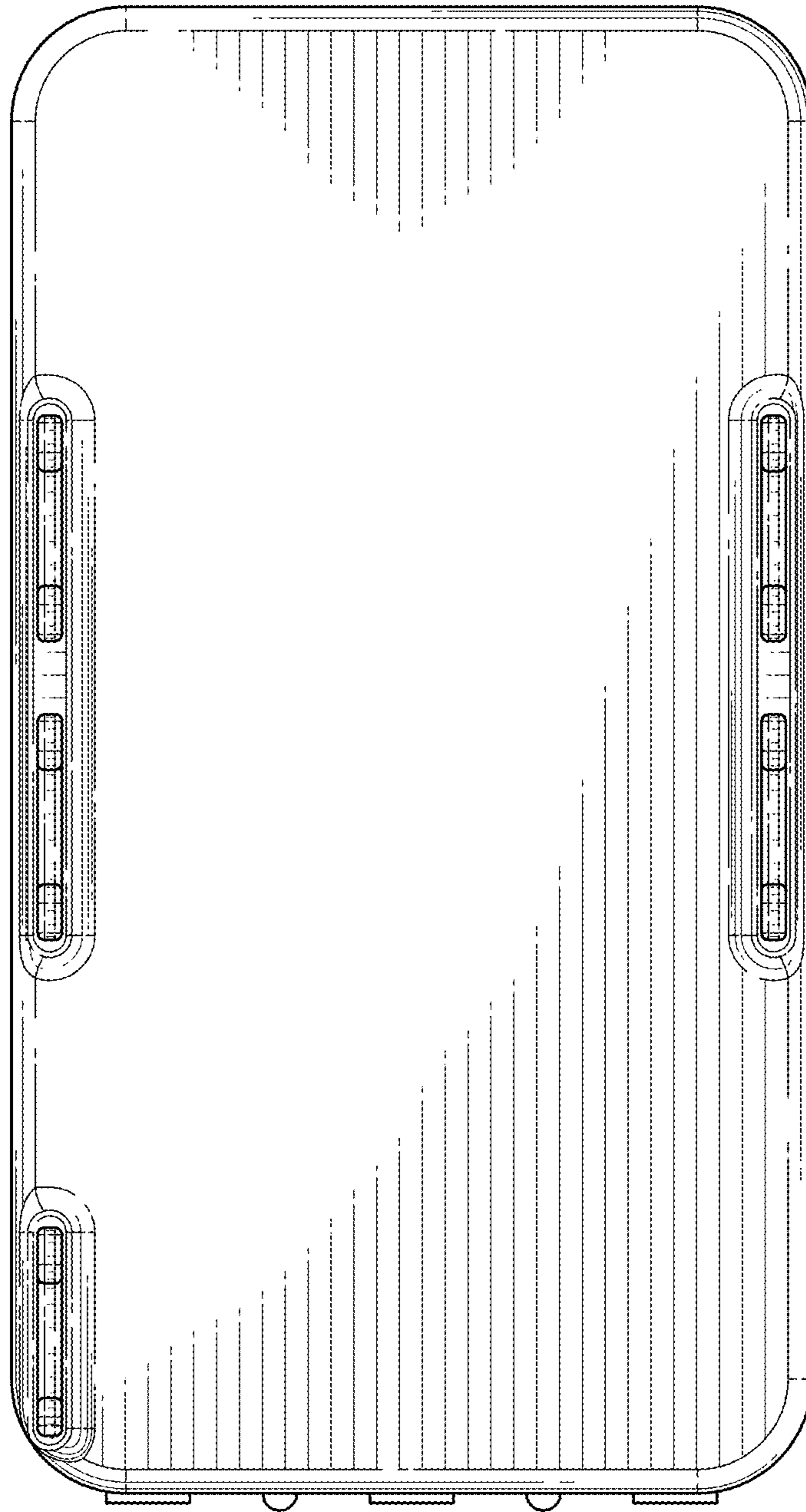


FIG. 3

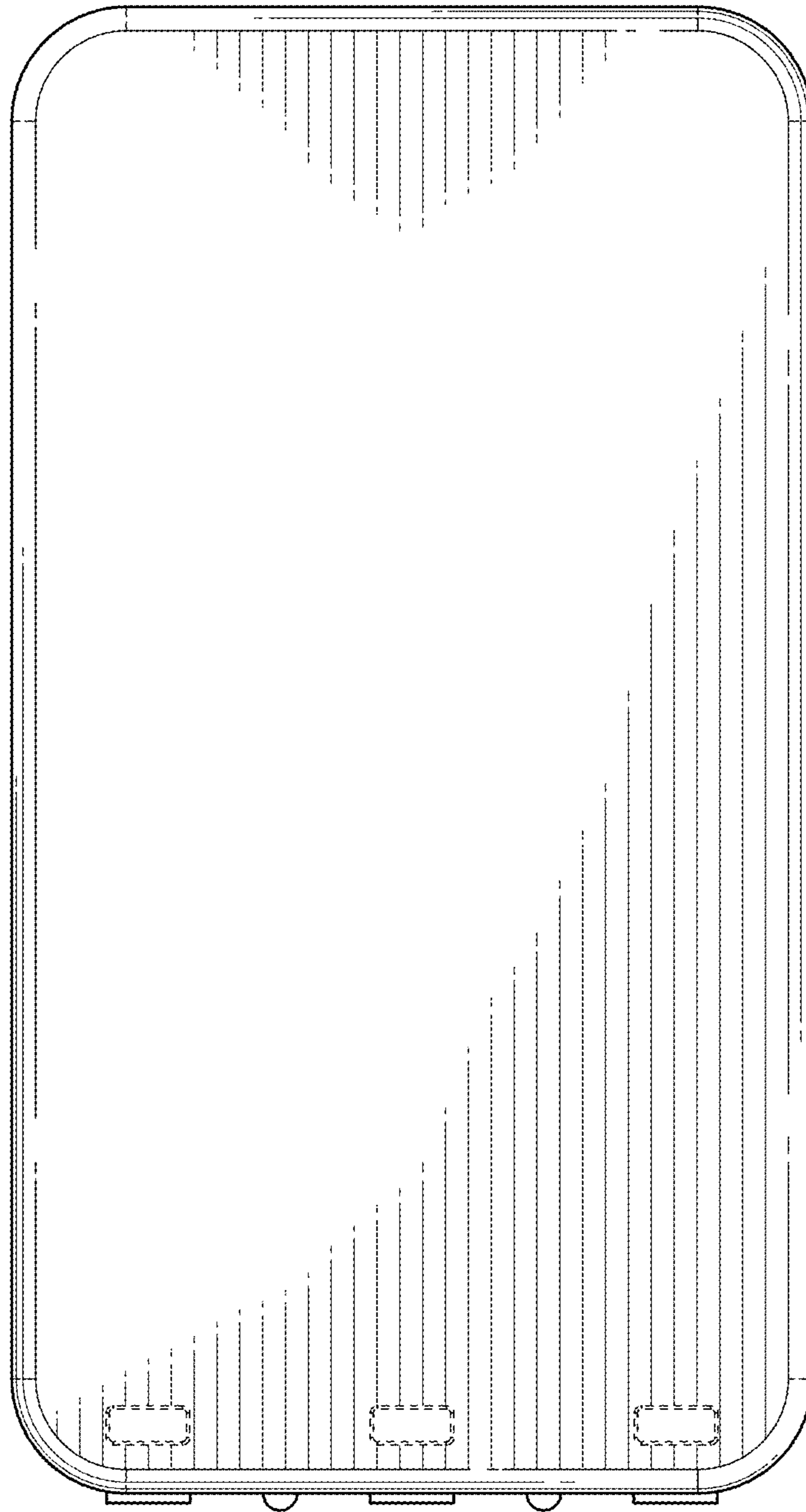


FIG. 4

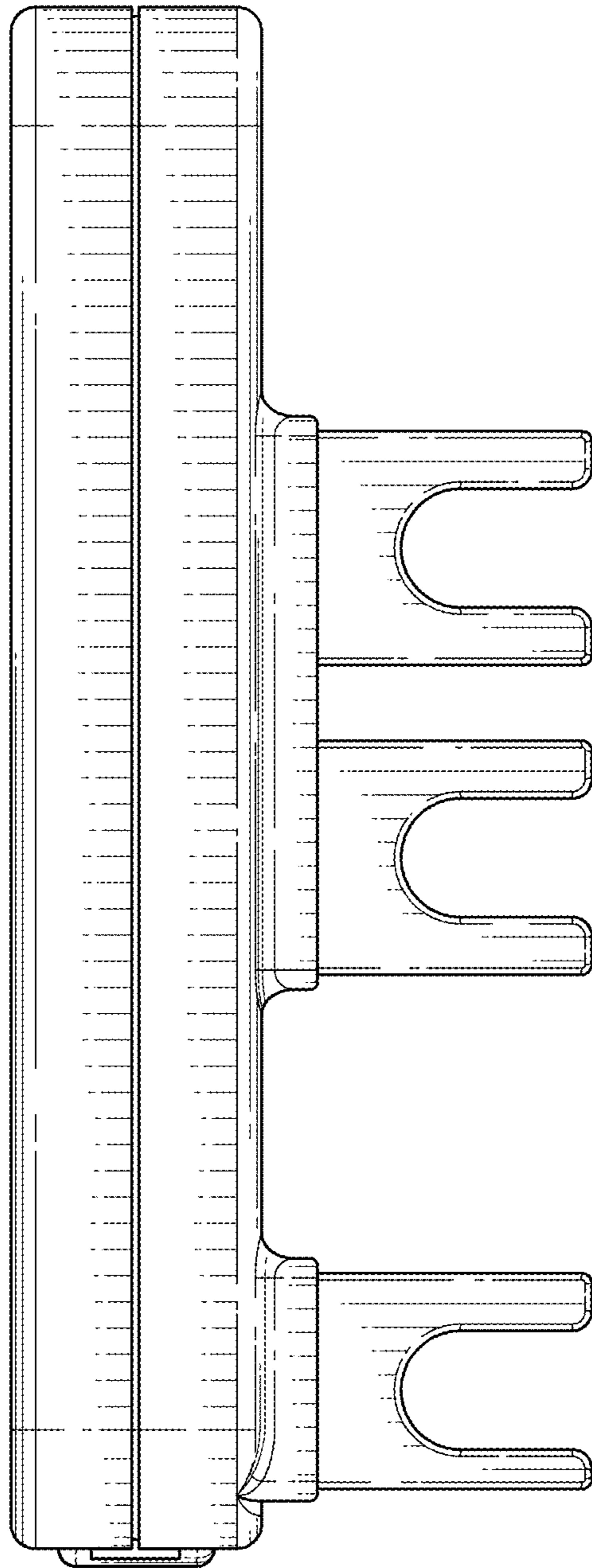


FIG. 5

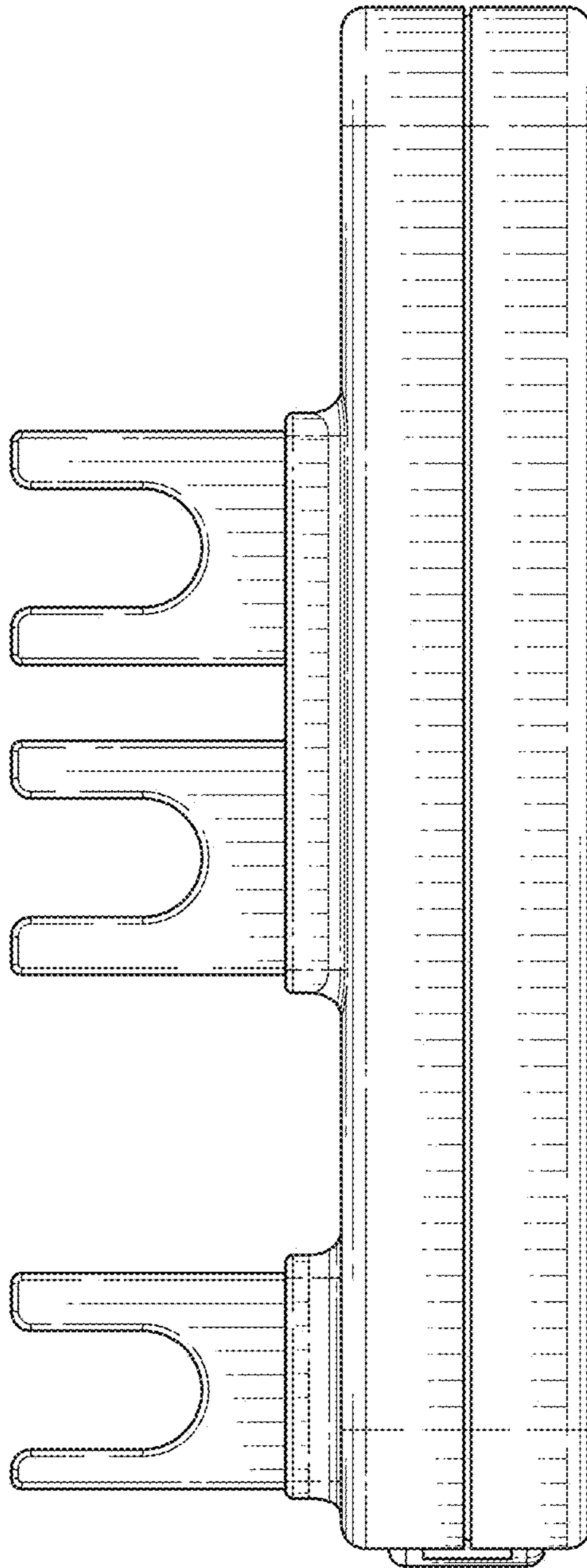


FIG. 6

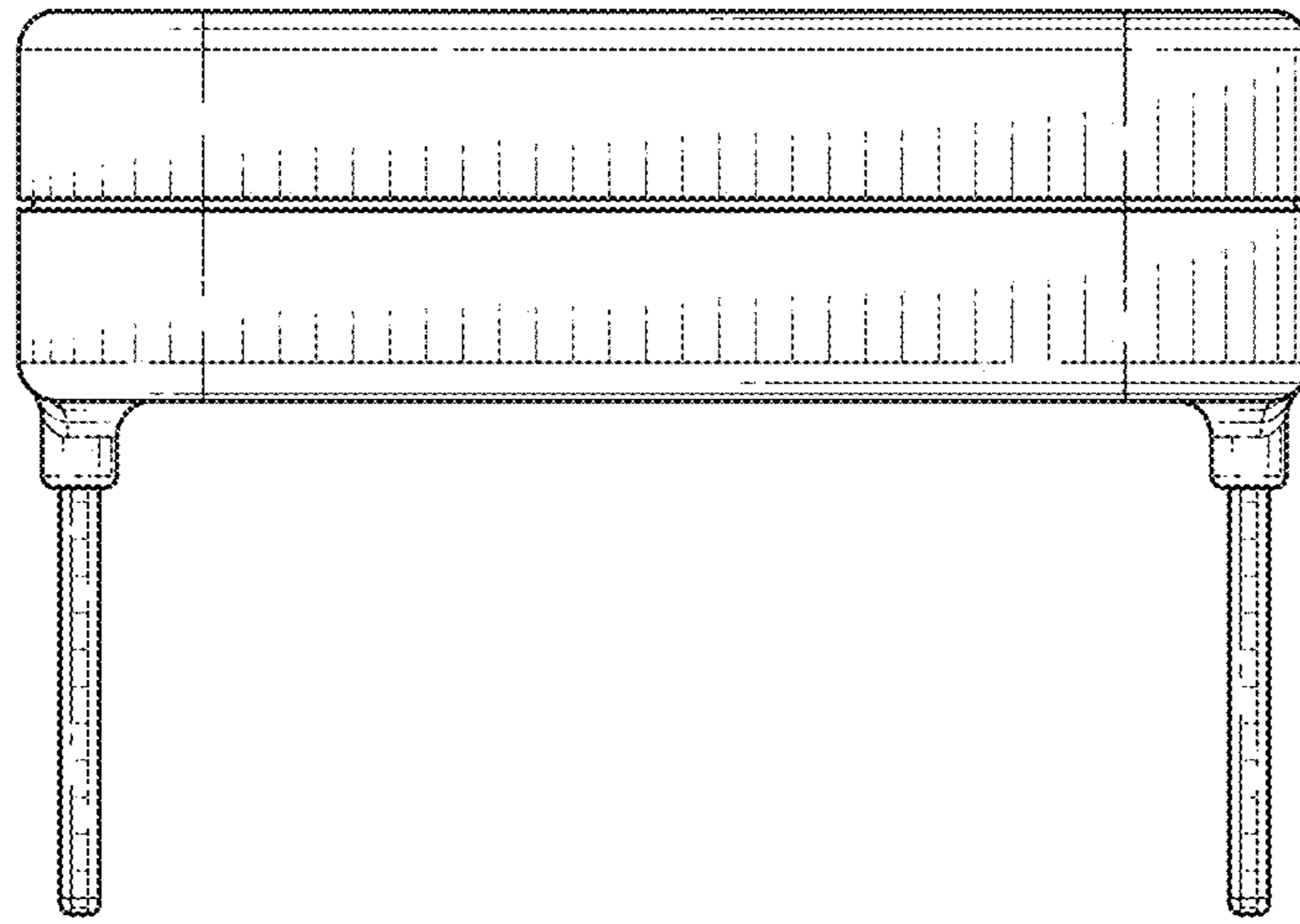


FIG. 7

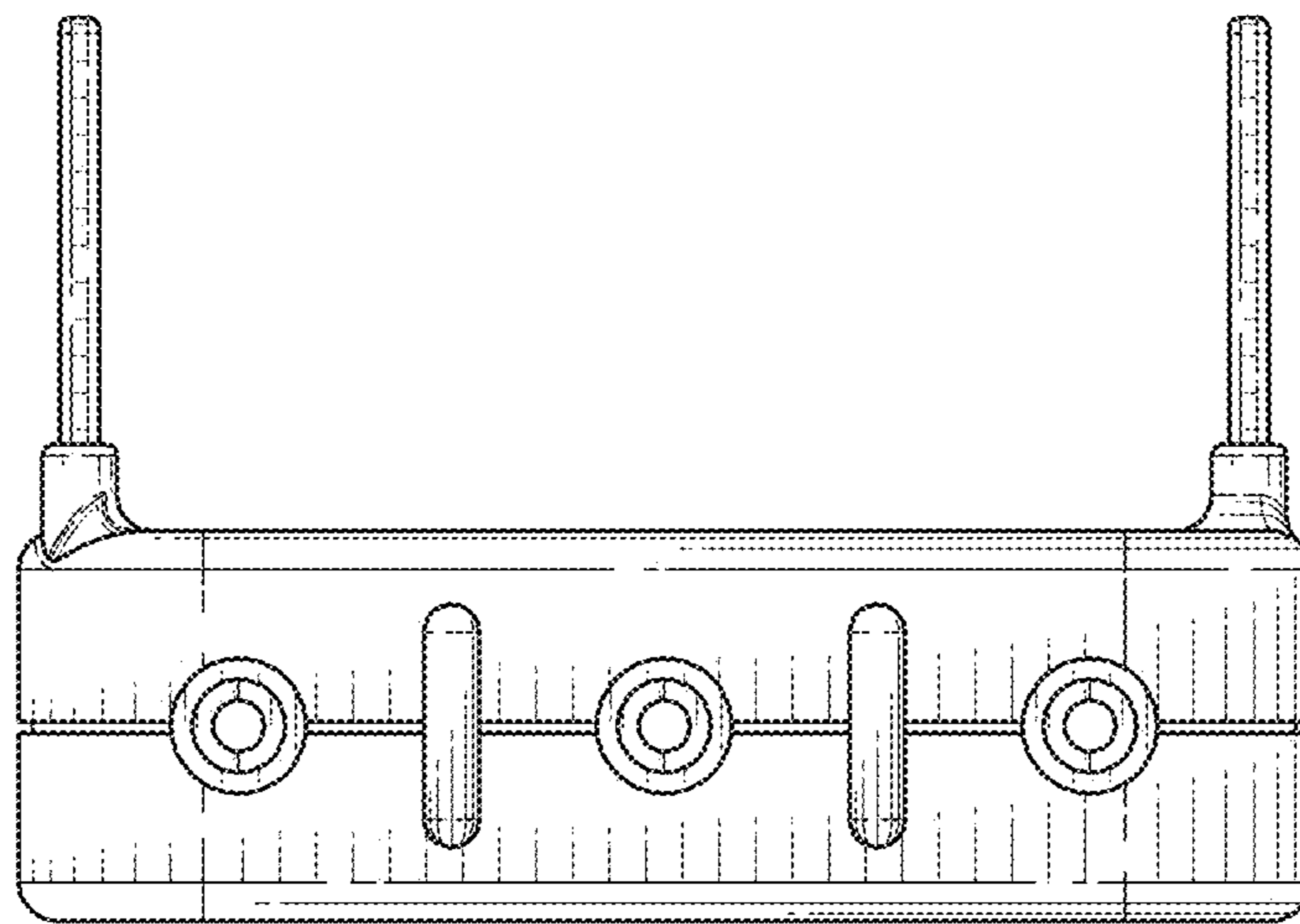


FIG. 8