



US00D881143S

(12) **United States Design Patent**
Choi et al.

(10) **Patent No.:** **US D881,143 S**
(45) **Date of Patent:** **** Apr. 14, 2020**

(54) **LIGHT EMITTING DIODE PACKAGE**

(71) Applicant: **SEOUL SEMICONDUCTOR CO., LTD.**, Ansan-si (KR)

(72) Inventors: **SeungRi Choi**, Ansan-si (KR); **SeMin Bang**, Ansan-si (KR); **MyungHee Lee**, Ansan-si (KR)

(**) Term: **15 Years**

(21) Appl. No.: **35/506,577**

(22) Filed: **Oct. 12, 2018**

(80) **Hague Agreement Data**

Int. Filing Date: **Oct. 12, 2018**

Int. Reg. No.: **DM/103804**

Int. Reg. Date: **Oct. 12, 2018**

Int. Reg. Pub. Date: **Apr. 12, 2019**

(51) **LOC (12) Cl.** **13-03**

(52) **U.S. Cl.**
USPC **D13/180**

(58) **Field of Classification Search**
USPC D10/106.1, 114.4; D13/180, 182;
D26/2, 25, 35, 74, 80, 81
CPC ... H01L 25/167; H01L 25/0753; H01L 27/15;
H01L 27/156; H01L 31/02; H01L 33/00;
H01L 33/04; H01L 33/08; H01L 33/10;
H01L 33/20; H01L 33/38; H01L 33/42;
H01L 33/48; H01L 33/483; H01L 33/486;
F21S 43/14; F21S 43/145; F21S 43/15;
F21S 43/20

See application file for complete search history.

(56) **References Cited**

U.S. PATENT DOCUMENTS

D476,960 S * 7/2003 Fukasawa D13/182
D548,704 S * 8/2007 Wu D13/180
D565,514 S * 4/2008 Cho D13/180
D590,354 S * 4/2009 Tsuchiya D13/180

D591,247 S * 4/2009 Miyashita D13/180
D606,936 S * 12/2009 Nakayama D13/110
D619,111 S * 7/2010 Wu D13/180
D623,611 S * 9/2010 Okuwaki D13/180
D628,166 S * 11/2010 Okuwaki D13/180
D647,068 S * 10/2011 Okuwaki D13/180
D647,865 S * 11/2011 Miyashita D13/180
D661,263 S * 6/2012 Okuwaki G02B 6/0073
D13/180
D662,903 S * 7/2012 Kobayakawa D13/180
D664,106 S * 7/2012 Kobayakawa D13/180
D669,042 S * 10/2012 Kanemaru D13/180
D669,043 S * 10/2012 Kamijo D13/180
D697,877 S * 1/2014 Hsu D13/180
9,406,852 B2 * 8/2016 Nakabayashi H01L 33/642
D786,203 S * 5/2017 Ide D13/180
9,741,907 B2 * 8/2017 Oh H01L 33/486
D797,688 S * 9/2017 Tanaka D13/180
D843,957 S * 3/2019 Liu D13/180
D854,713 S * 7/2019 Liu D26/1
D865,226 S * 10/2019 Liu D26/1
D865,687 S * 11/2019 Oh H01L 33/486
D13/180

2007/0114555 A1 * 5/2007 Takemoto G02B 6/0073
257/99
2016/0300987 A1 * 10/2016 Sanga H01L 33/38

* cited by examiner

Primary Examiner — Robert M. Spear

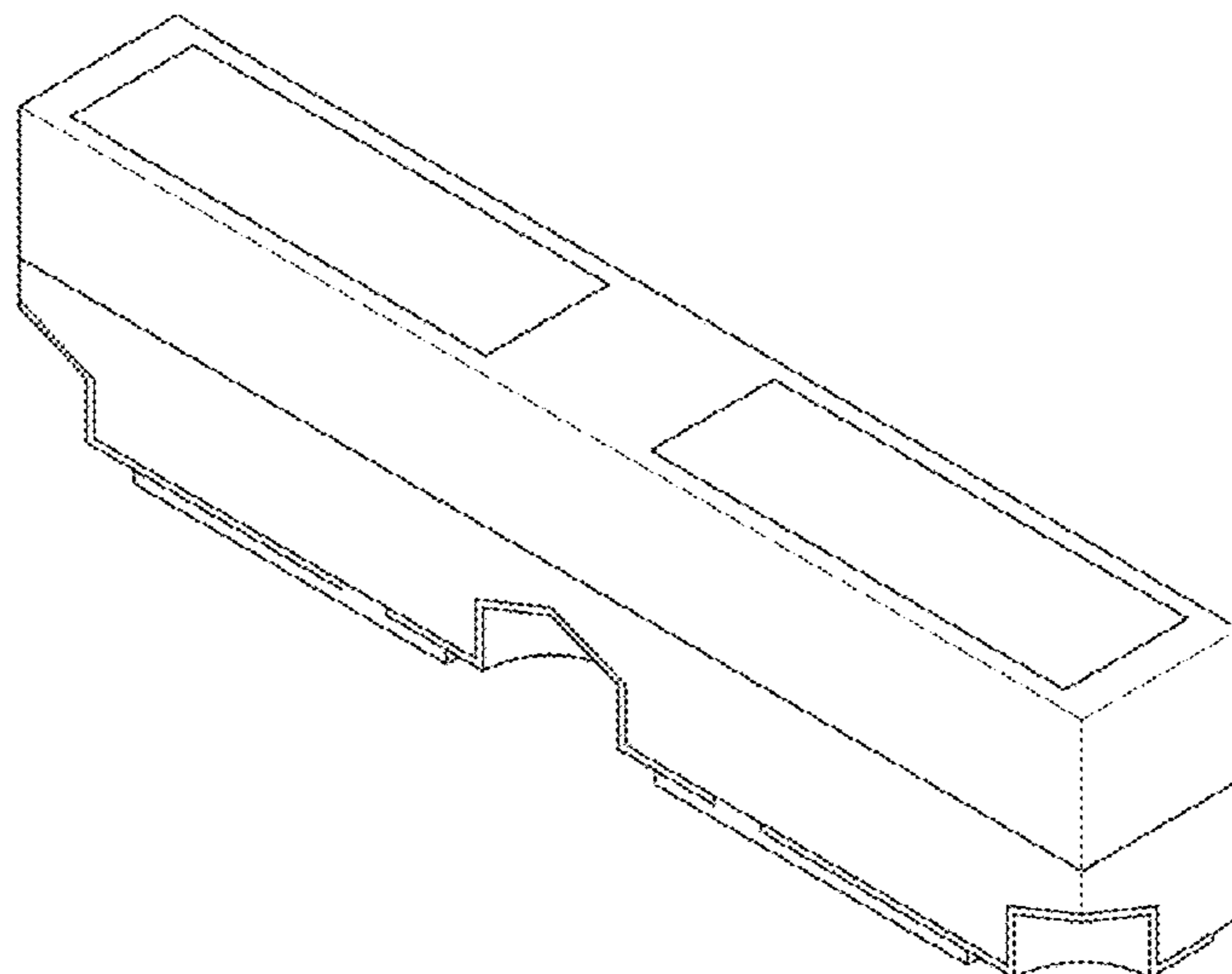
(57) **CLAIM**

The ornamental design for light emitting diode package, as shown and described.

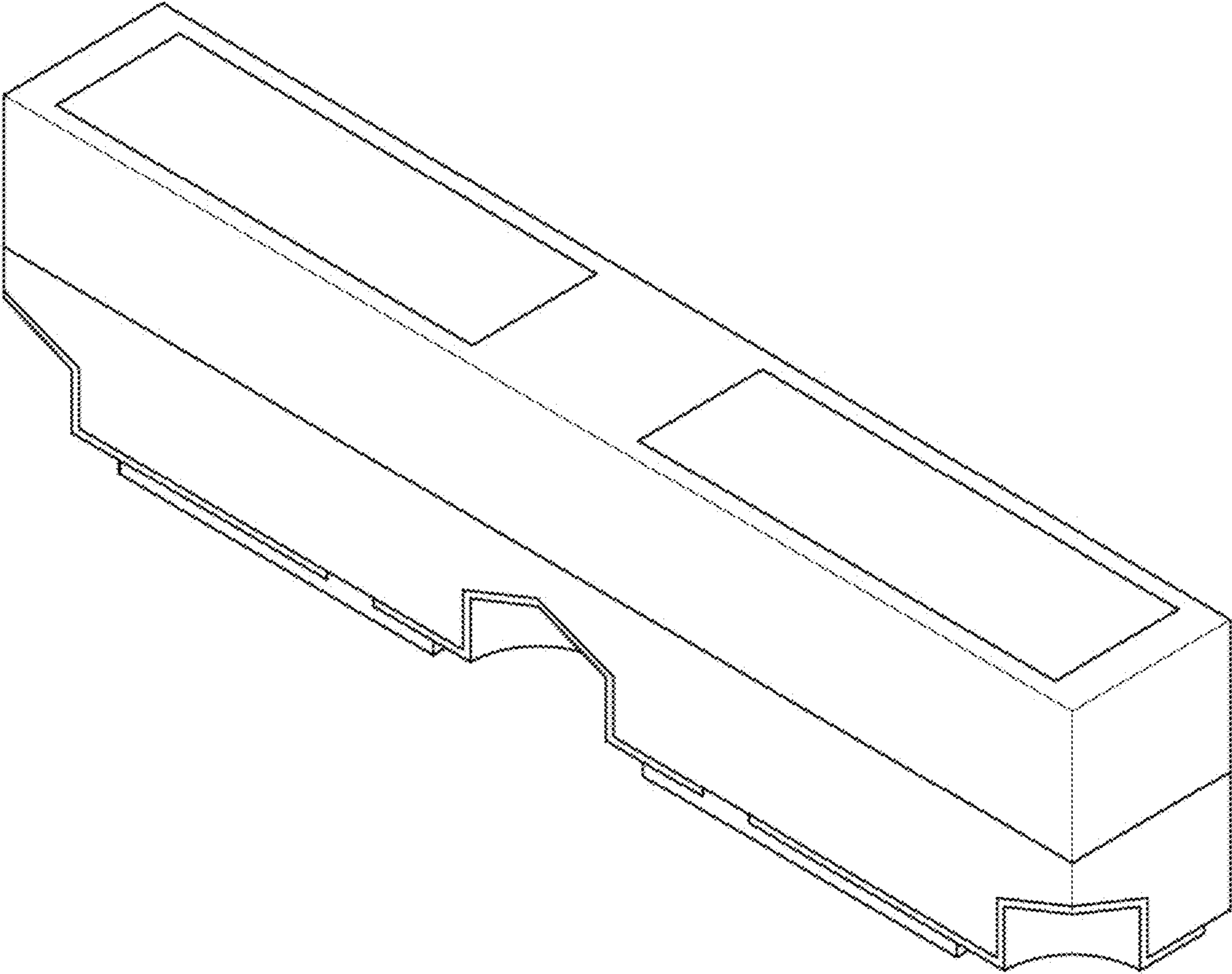
DESCRIPTION

- 1. Light emitting diode package
- 1.1 : Perspective
- 1.2 : Front
- 1.3 : Back
- 1.4 : Left
- 1.5 : Right
- 1.6 : Top
- 1.7 : Bottom

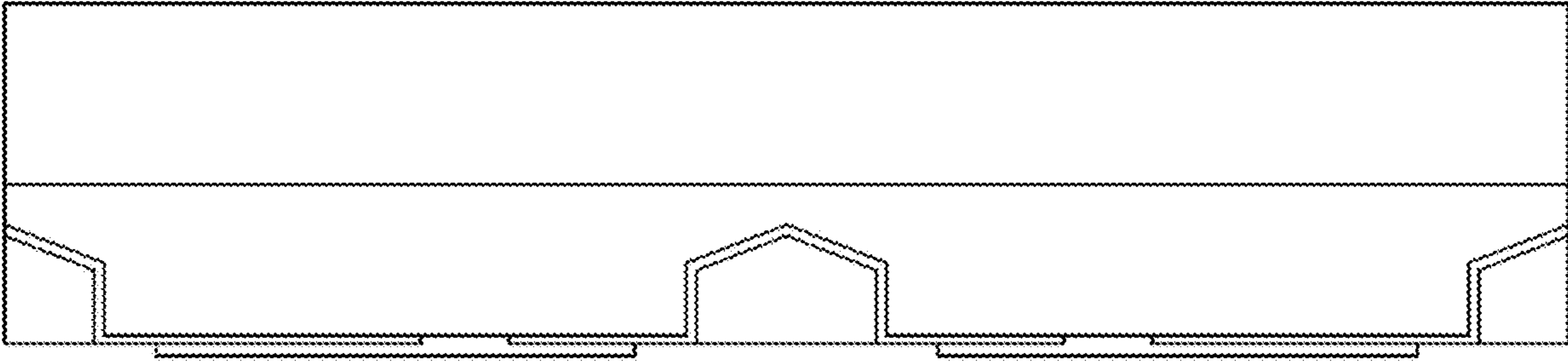
1 Claim, 7 Drawing Sheets



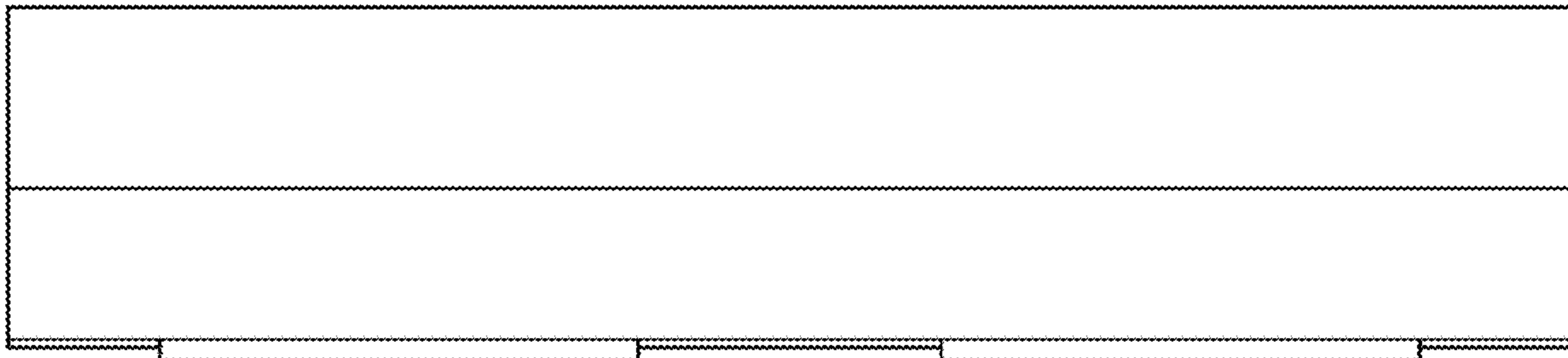
1.1



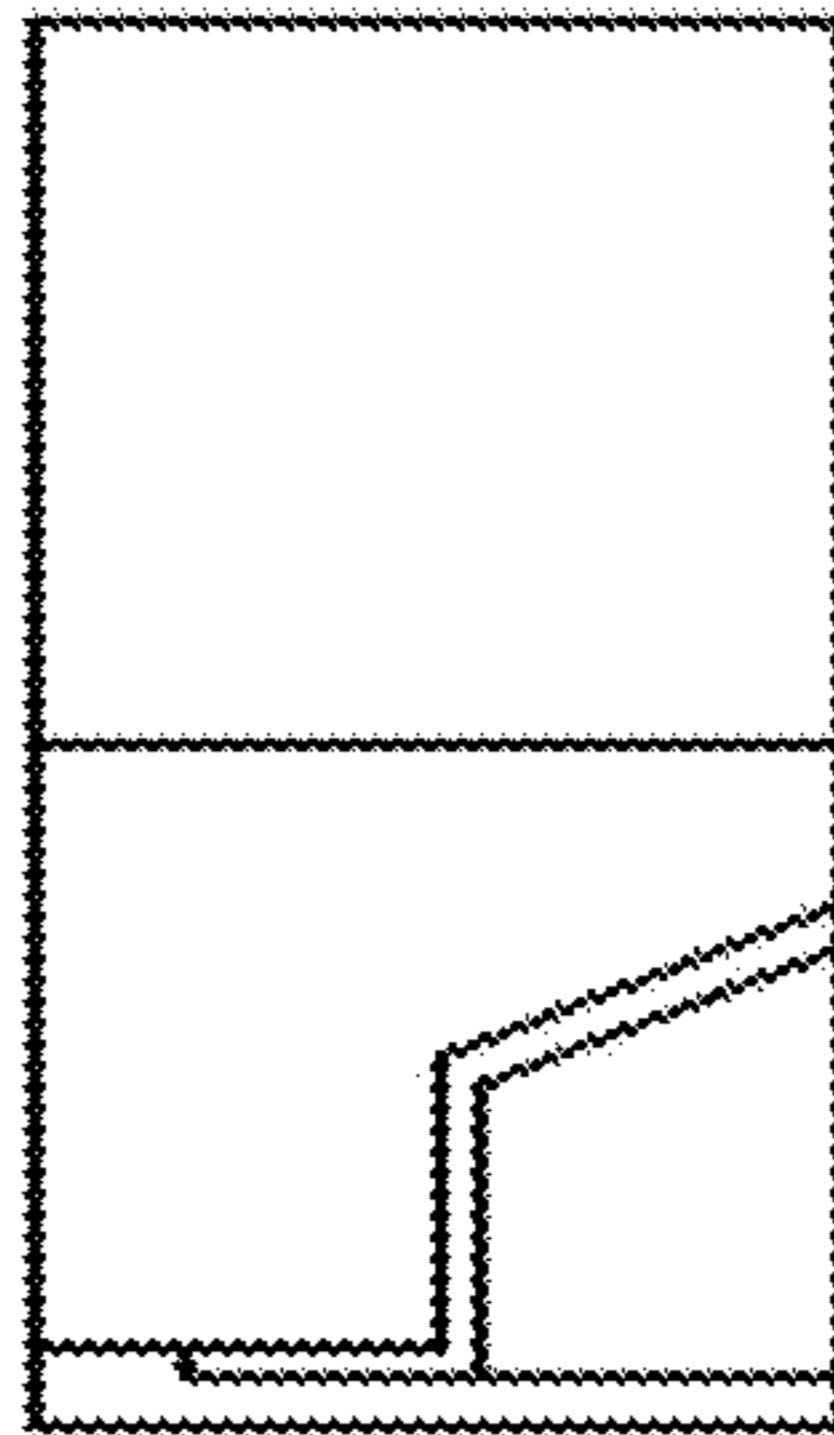
1.2



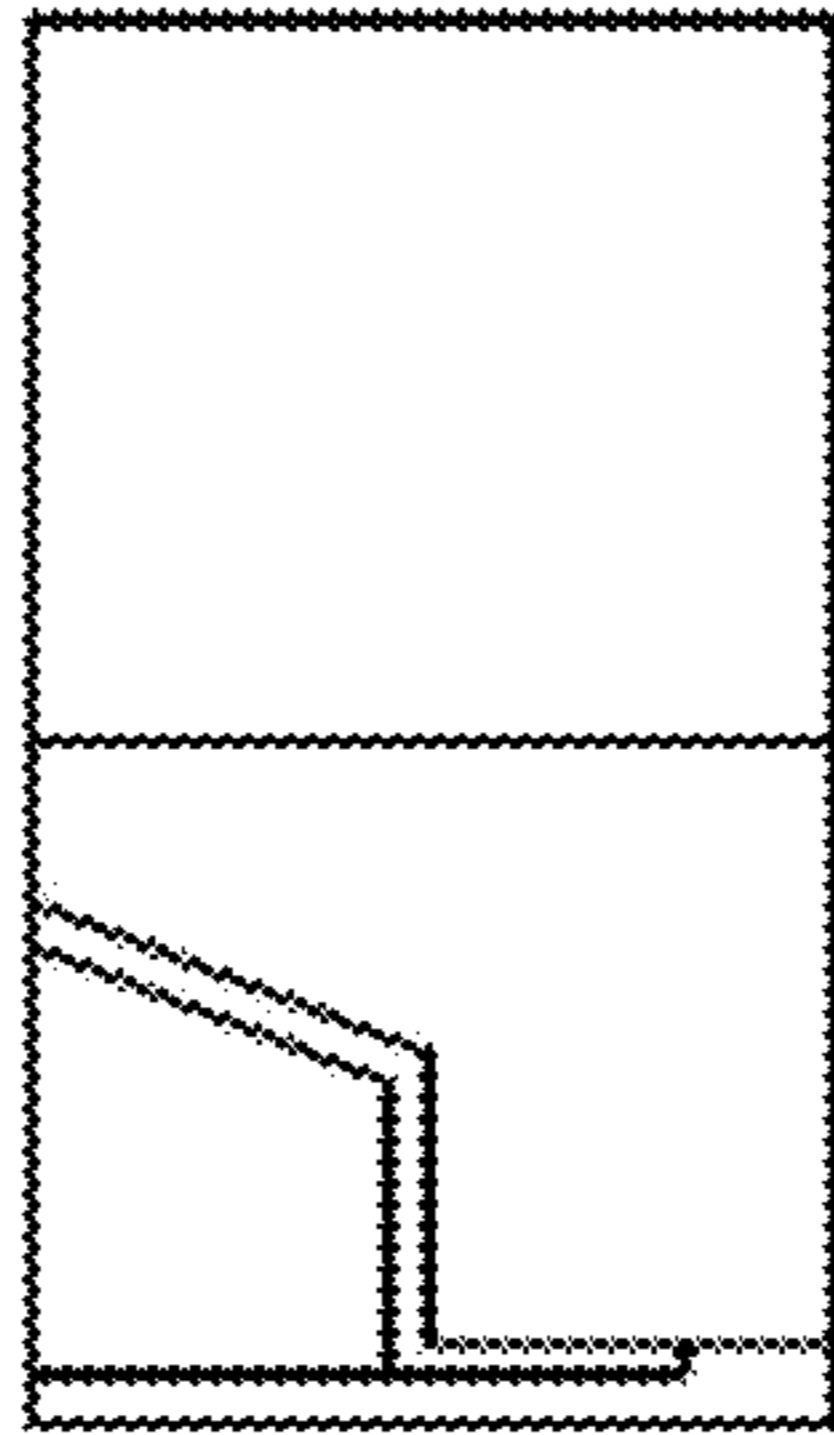
1.3



1.4



1.5



1.6



1.7

