



US00D881138S

(12) **United States Design Patent**
Jokiniemi et al.

(10) **Patent No.:** **US D881,138 S**
(45) **Date of Patent:** **** Apr. 14, 2020**

(54) **ELECTRIC SWITCH**

(71) Applicant: **ABB Oy**, Helsinki (FI)

(72) Inventors: **Timo Jokiniemi**, Merikaarto (FI);
Rainer Kolmonen, Laihia (FI); **Aki Suutarinen**, Vaasa (FI); **Patrik Rabb**,
Vähäkyrö (FI); **Anu-Riikka Mäki**,
Jukaja (FI); **Matti Rajala**, Vaasa (FI);
Juri Fredlund, Vaasa (FI)

(73) Assignee: **ABB Schweiz AG**, Baden (CH)

(**) Term: **15 Years**

(21) Appl. No.: **29/670,092**

(22) Filed: **Nov. 13, 2018**

Related U.S. Application Data

(62) Division of application No. 29/623,818, filed on Oct. 27, 2017, now Pat. No. Des. 845,908.

(30) **Foreign Application Priority Data**

Apr. 28, 2017 (EP) 003877786

(51) **LOC (12) Cl.** **13-03**

(52) **U.S. Cl.**
USPC **D13/158**

(58) **Field of Classification Search**

USPC D13/158, 160, 162
CPC H01H 9/02; H01H 9/047; H01H 9/161;
H01H 19/00; H01H 19/02; H01H 19/04;
H01H 71/56; H01H 71/58; H01H 83/00
See application file for complete search history.

(56) **References Cited**

U.S. PATENT DOCUMENTS

D571,303 S * 6/2008 Jokiniemi D13/158
8,575,504 B2 * 11/2013 Eisner H01H 9/342
200/306

D695,229 S * 12/2013 Ran D13/158
D695,230 S * 12/2013 Zhang D13/158
D737,220 S * 8/2015 Andersson D13/158
D784,933 S * 4/2017 Andersson D13/158
2010/0258413 A1 * 10/2010 Leischner H01H 19/64
200/11 R
2010/0307895 A1 * 12/2010 Park H01H 9/02
200/237

* cited by examiner

Primary Examiner — Selina Sikder

(74) *Attorney, Agent, or Firm* — Taft Stettinius & Hollister LLP; J. Bruce Schelkopf

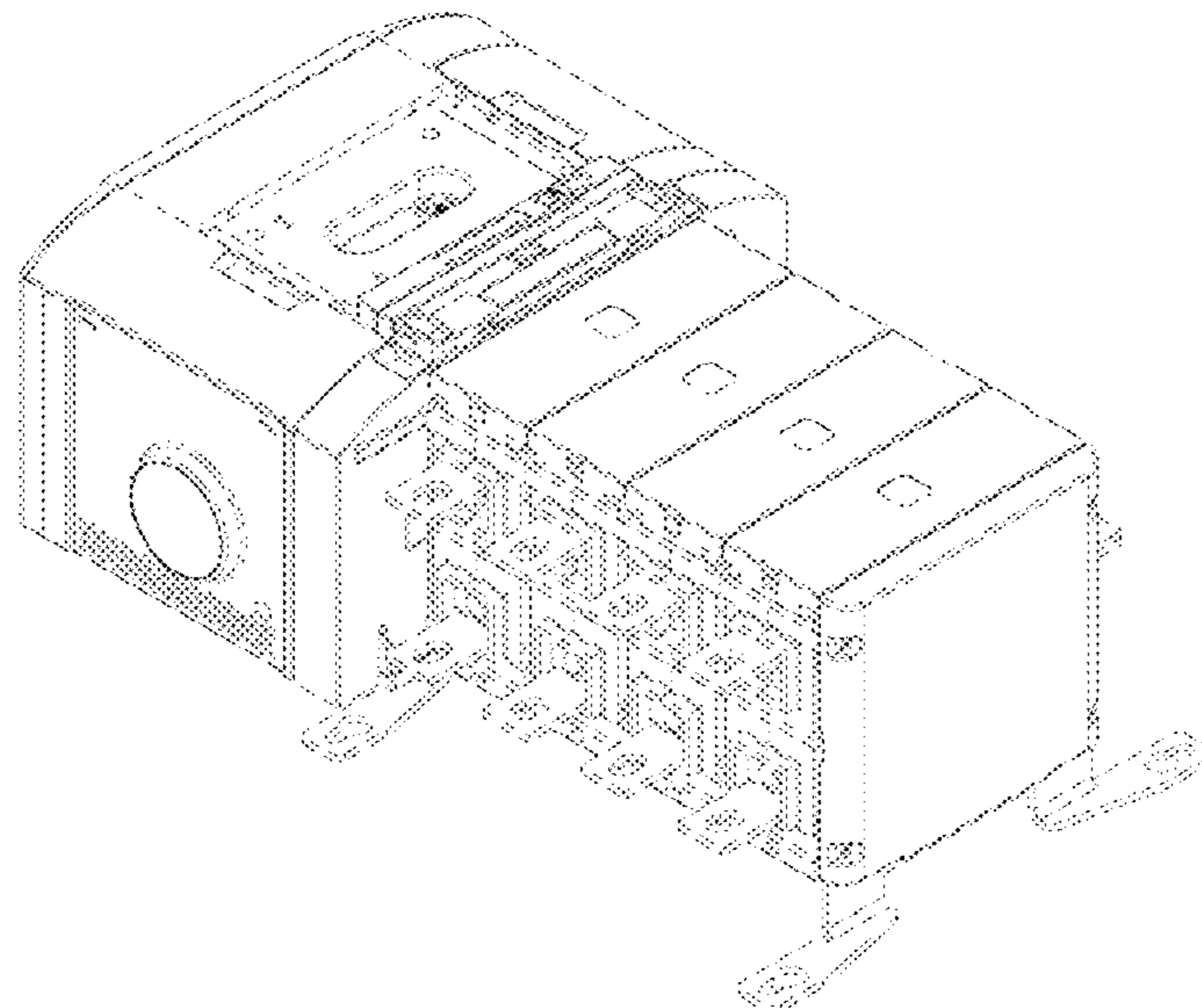
(57) **CLAIM**

The ornamental design for an electric switch, as shown and described.

DESCRIPTION

FIG. 1 is a perspective side view of an electric switch.
FIG. 2 is a front side view of the electric switch shown in FIG. 1.
FIG. 3 is a rear side view of the electric switch shown in FIG. 1.
FIG. 4 is a right side view of the electric switch shown in FIG. 1.
FIG. 5 is a left side view of the electric switch shown in FIG. 1.
FIG. 6 is a top side view of the electric switch shown in FIG. 1.
FIG. 7 is a bottom side view of the electric switch shown in FIG. 1; and,
FIG. 8 is another perspective side view of the electric switch shown in FIG. 1.
In the drawings, the broken lines depict portions of the switch which form no part of the claim.

1 Claim, 8 Drawing Sheets



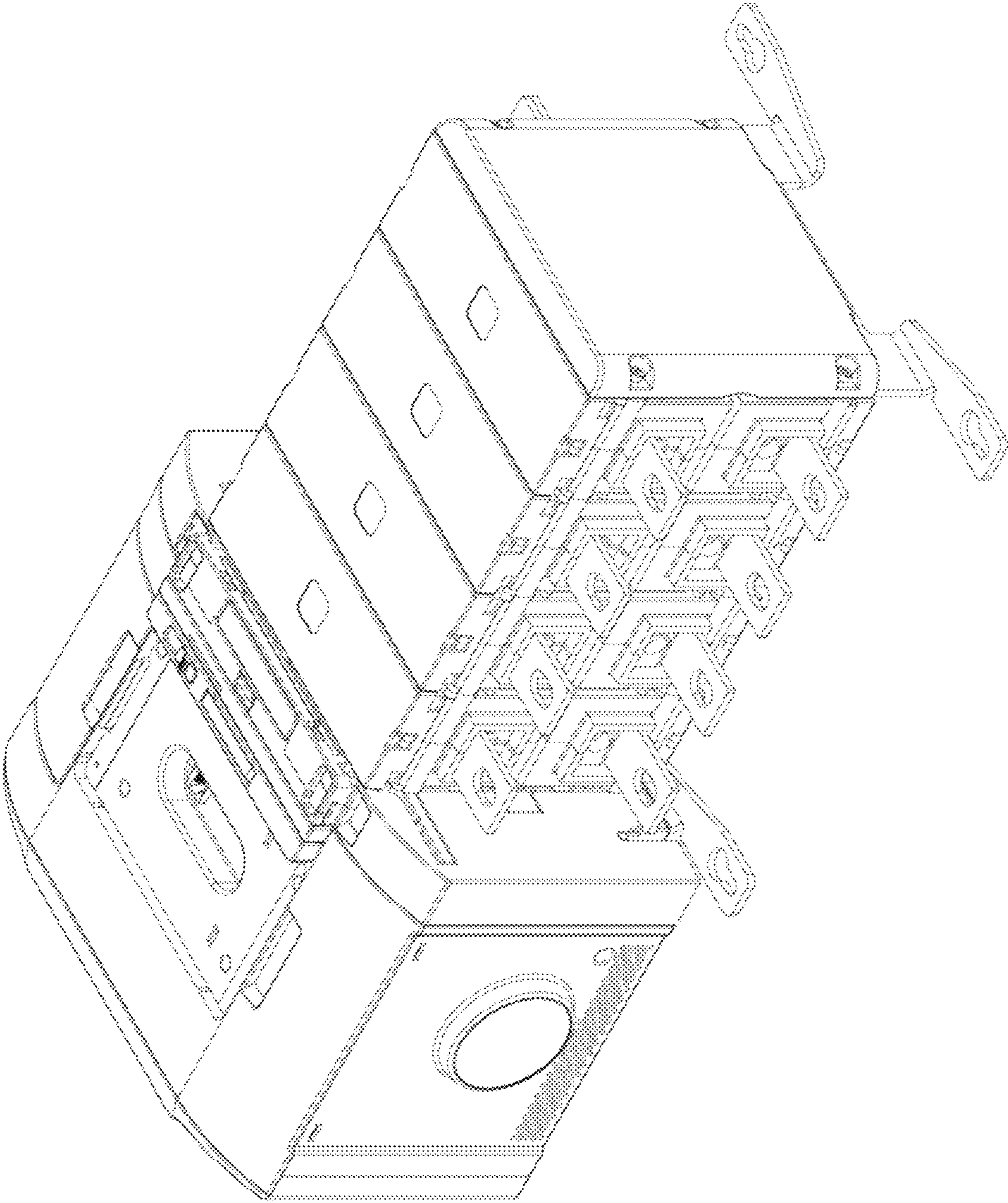


FIGURE 1

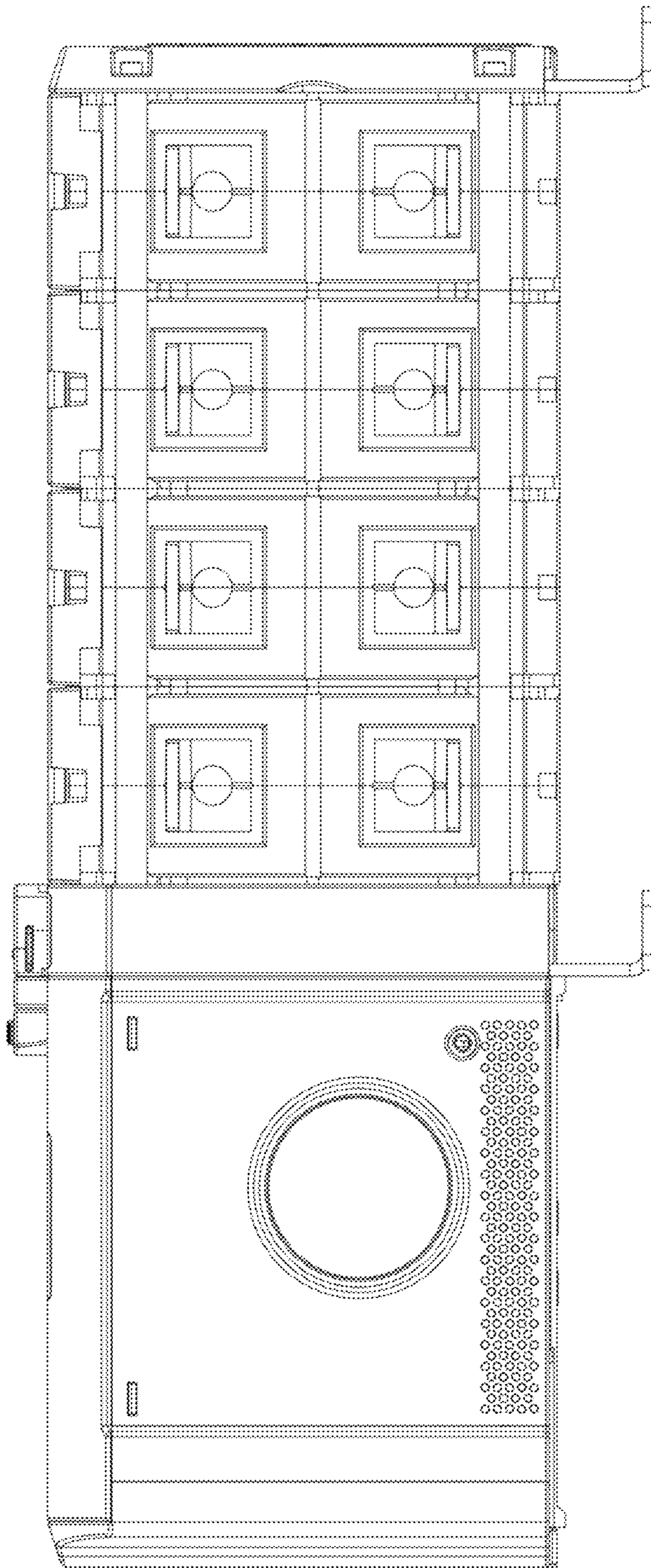


FIGURE 2

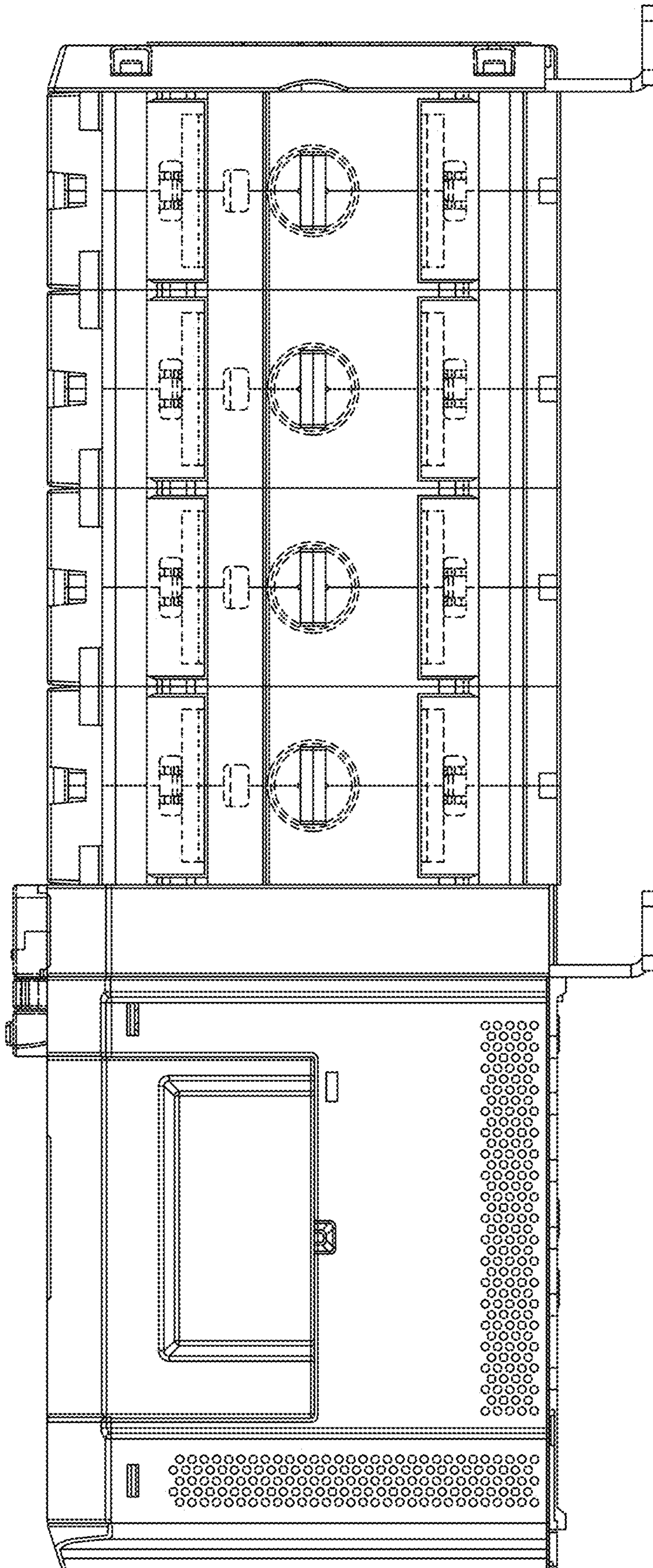


FIGURE 3

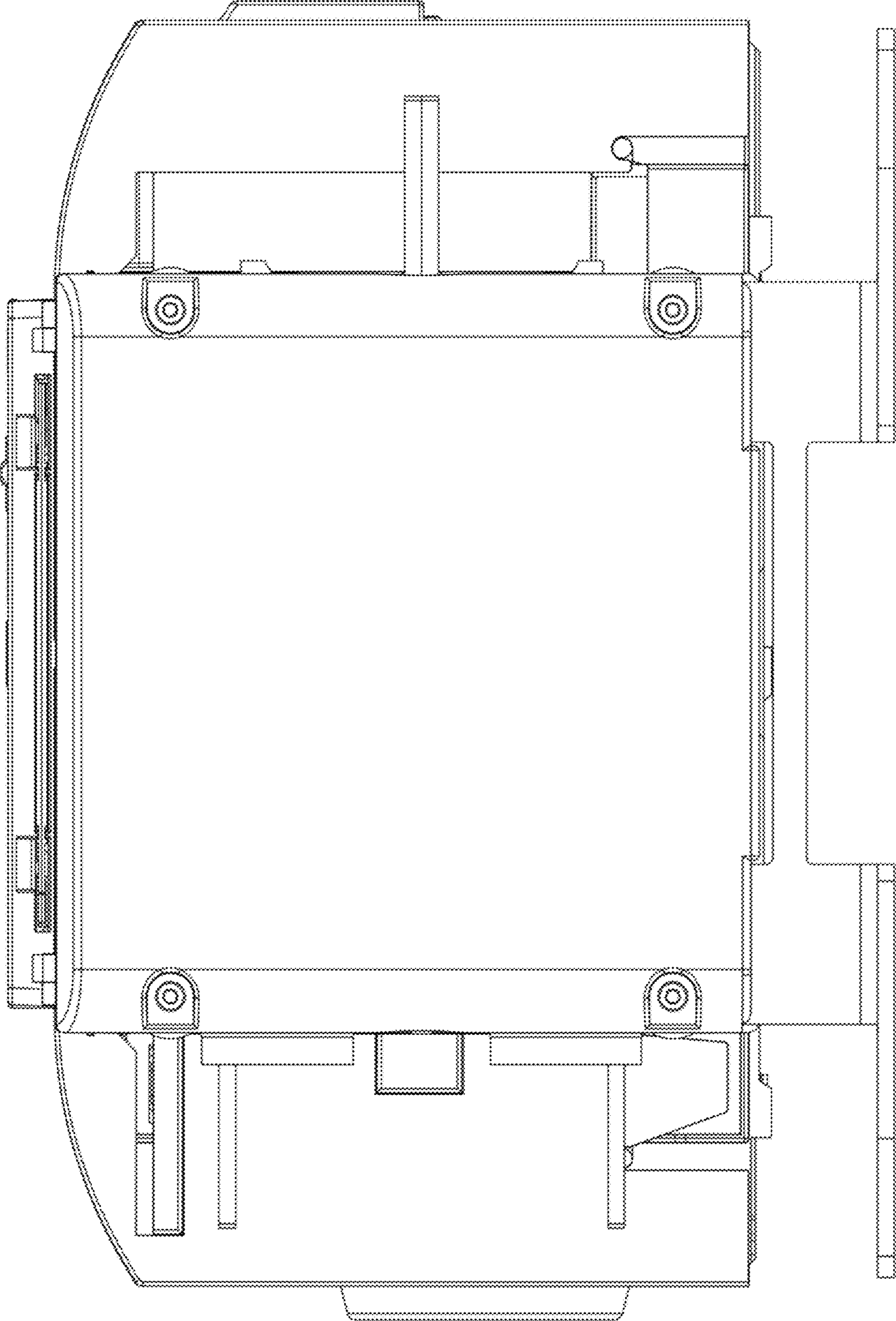


FIGURE 4

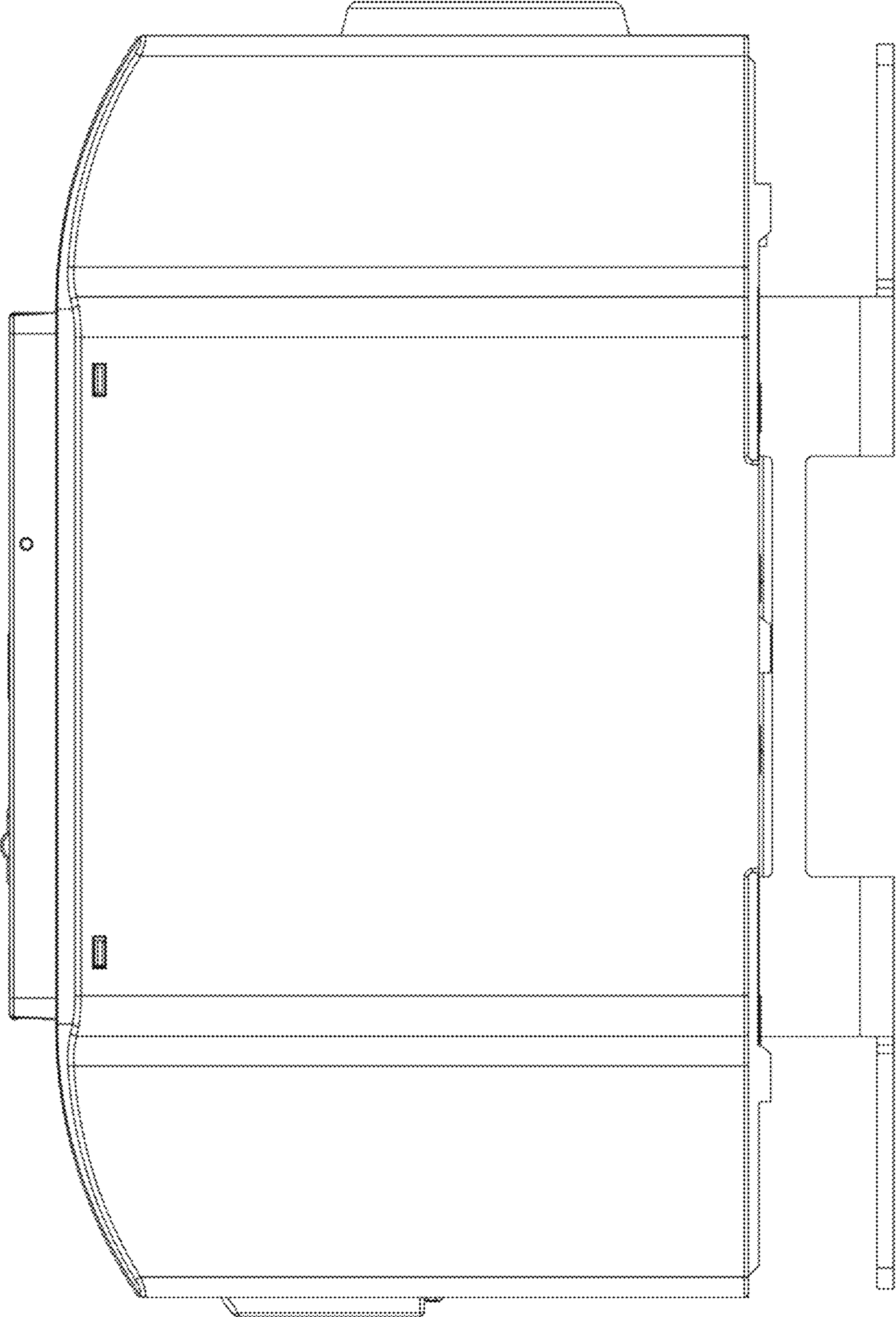


FIGURE 5

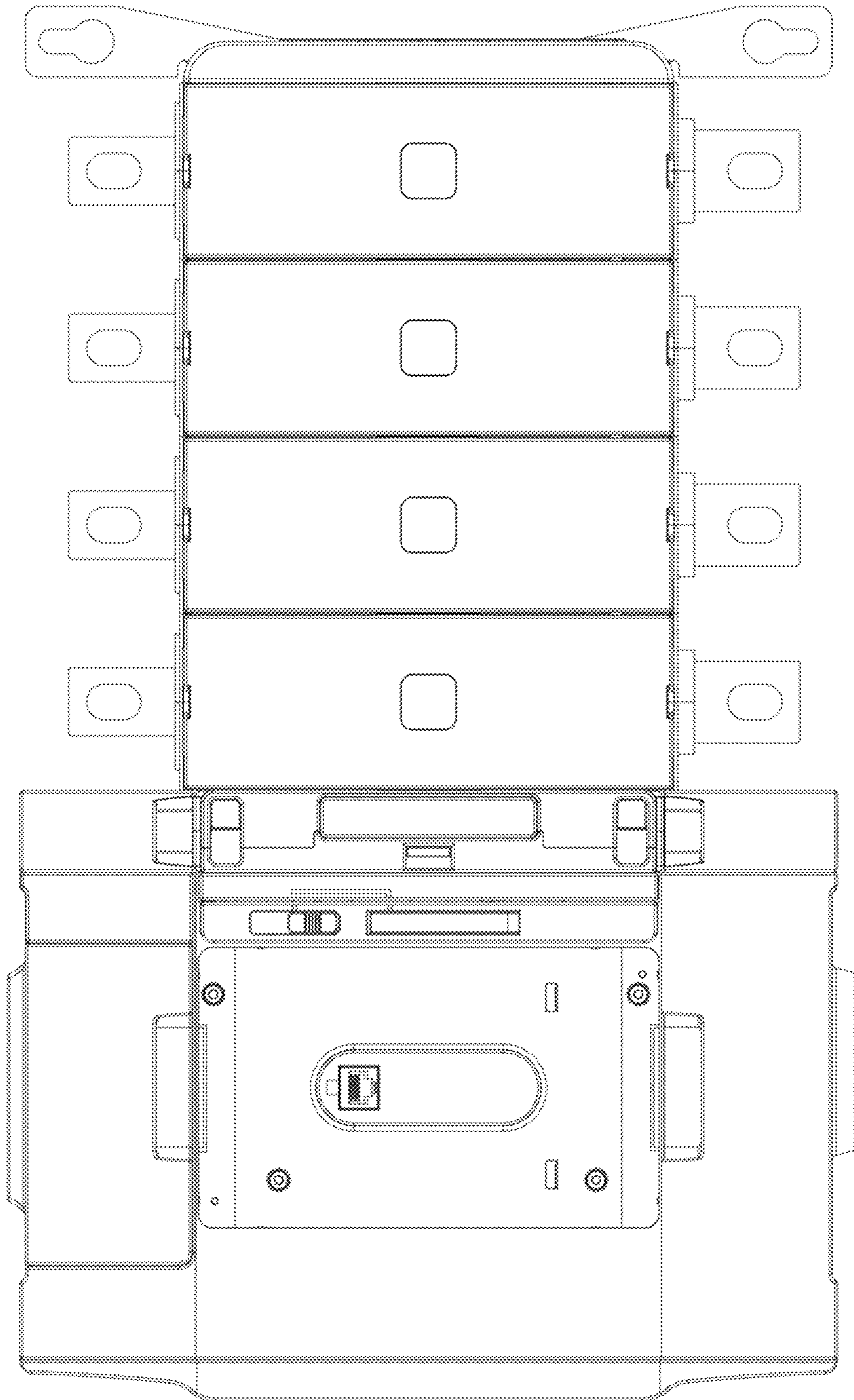


FIGURE 6

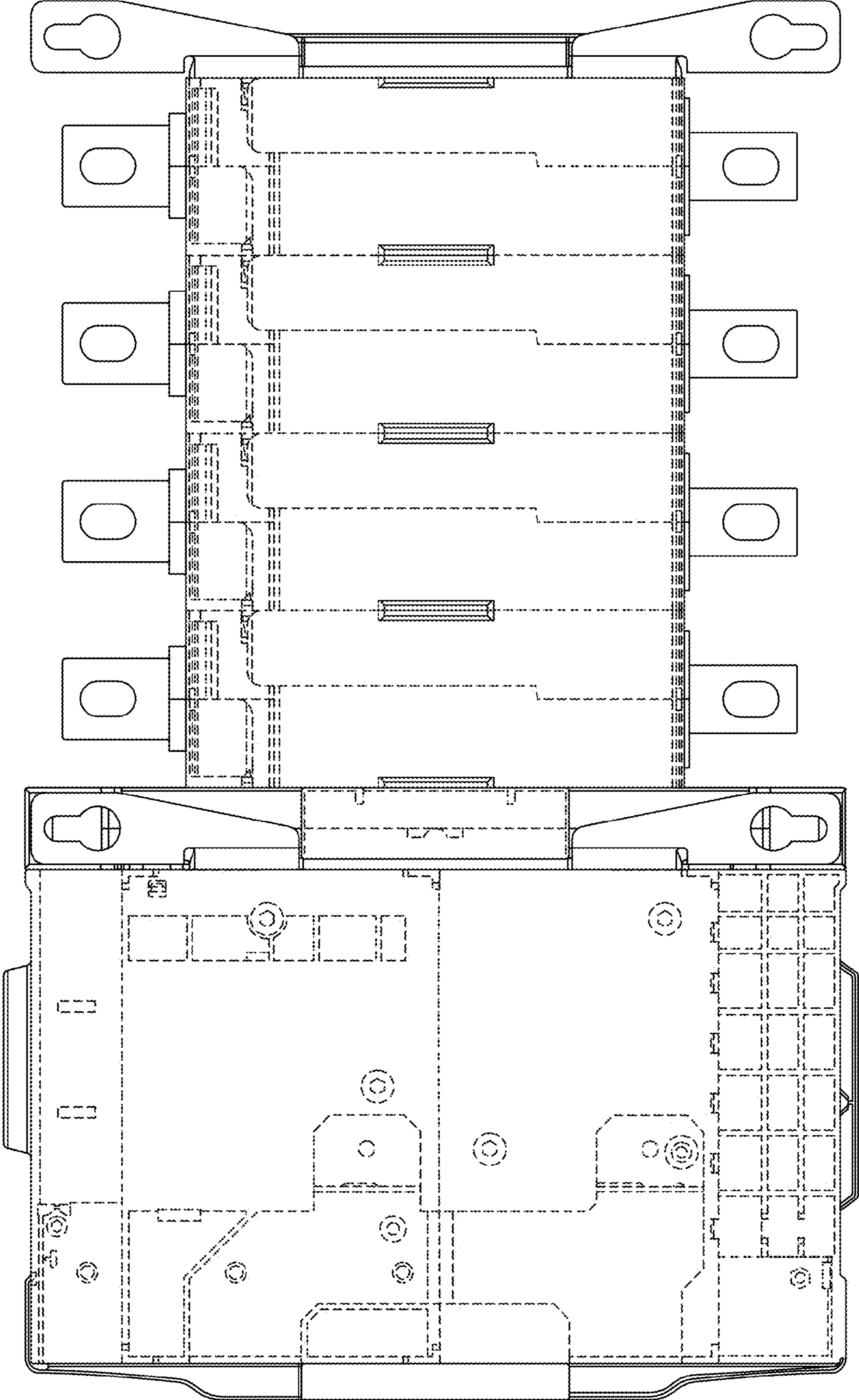


FIGURE 7

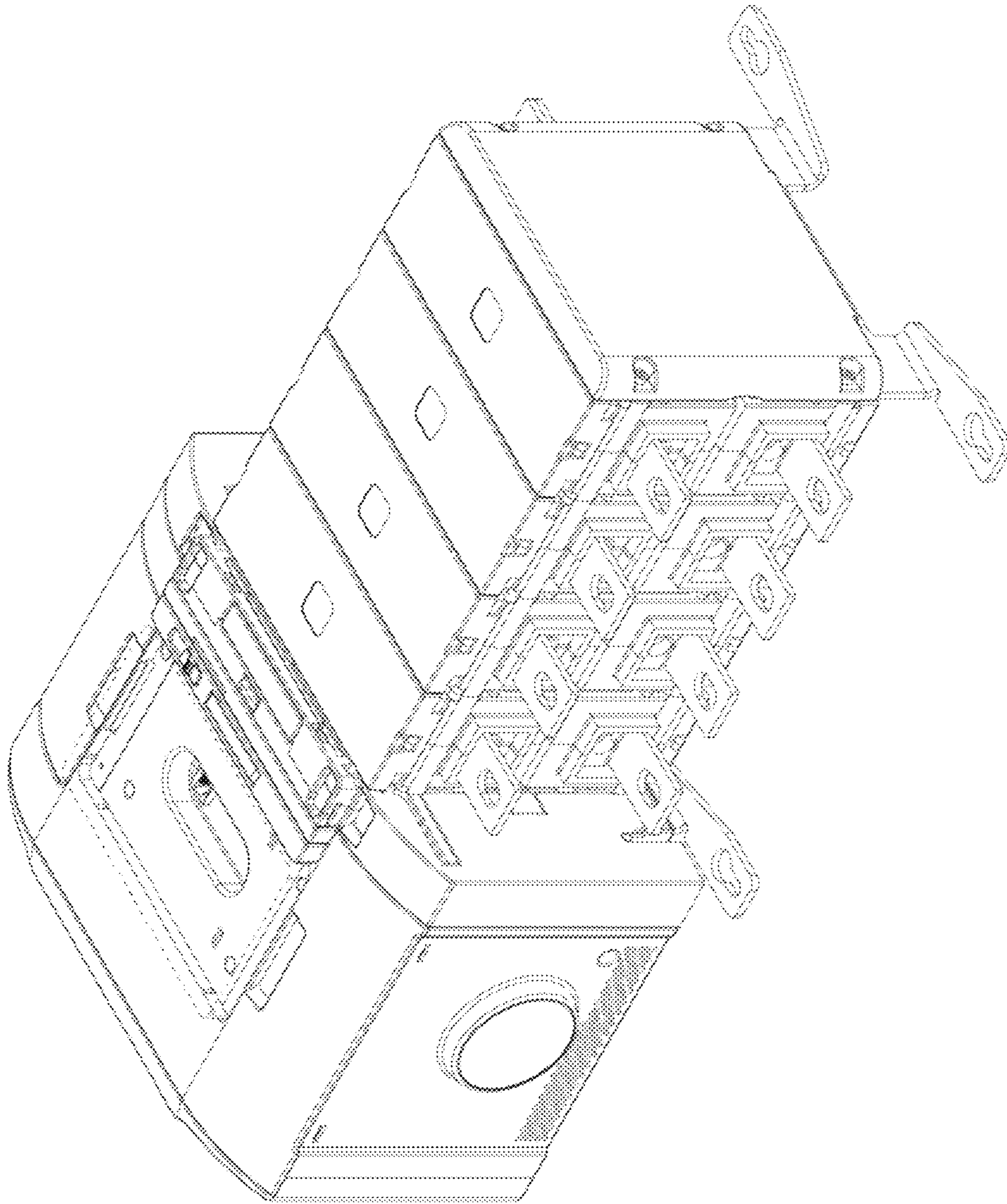


FIGURE 8