



US00D881136S

(12) **United States Design Patent** (10) **Patent No.:** **US D881,136 S**
Bendlak et al. (45) **Date of Patent:** **** Apr. 14, 2020**

(54) **TIP RECEPTOR MOUNT FOR LIGHTNING PROTECTION SYSTEMS**

(71) Applicant: **ERICO INTERNATIONAL CORPORATION**, Solon, OH (US)

(72) Inventors: **Thomas Bendlak**, Macedonia, OH (US); **Matthew Flemming**, Medina, OH (US); **Daniel Pfaff**, Los Angeles, CA (US)

(73) Assignee: **ERICO INTERNATIONAL CORPORATION**, Solon, OH (US)

(**) Term: **15 Years**

(21) Appl. No.: **29/624,175**

(22) Filed: **Oct. 30, 2017**

Related U.S. Application Data

(62) Division of application No. 29/564,598, filed on May 13, 2016, now Pat. No. Des. 803,163.

(51) **LOC (12) Cl.** **13-03**

(52) **U.S. Cl.**
USPC **D13/156**; D13/147

(58) **Field of Classification Search**
USPC D10/46, 75, 78, 79, 80, 103, 104.1, D10/106.1-106.9, 116.1, 118, 118.2,
(Continued)

(56) **References Cited**

U.S. PATENT DOCUMENTS

D366,862 S 2/1996 Lee
5,584,726 A 12/1996 Le Gallic et al.
(Continued)

FOREIGN PATENT DOCUMENTS

CN 201679646 U 12/2010
CN 201805143 U 4/2011
(Continued)

OTHER PUBLICATIONS

LM Wind Power; retrieved from U.S. Patent Office; U.S. Appl. No. 29/564,598; 5 pages.

(Continued)

Primary Examiner — George D. Kirschbaum
Assistant Examiner — Joseph J Kukella
(74) *Attorney, Agent, or Firm* — Quarles & Brady LLP

(57) **CLAIM**

The ornamental design for a tip receptor mount for lightning protection systems, as shown and described.

DESCRIPTION

FIG. 1 is a bottom, front, left isometric view of an embodiment of an ornamental design for a tip receptor mount for lightning protection systems;

FIG. 2 is a bottom, rear, left isometric view of the tip receptor mount for lightning protection systems of FIG. 1;

FIG. 3 is a bottom, front, right isometric view of the tip receptor mount for lightning protection systems of FIG. 1;

FIG. 4 is a bottom, rear, right isometric view of the tip receptor mount for lightning protection systems of FIG. 1;

FIG. 5 is a bottom plan view of the tip receptor mount for lightning protection systems of FIG. 1;

FIG. 6 is a top plan view of the tip receptor mount for lightning protection systems of FIG. 1;

FIG. 7 is a left side elevation view of the tip receptor mount for lightning protection systems of FIG. 1;

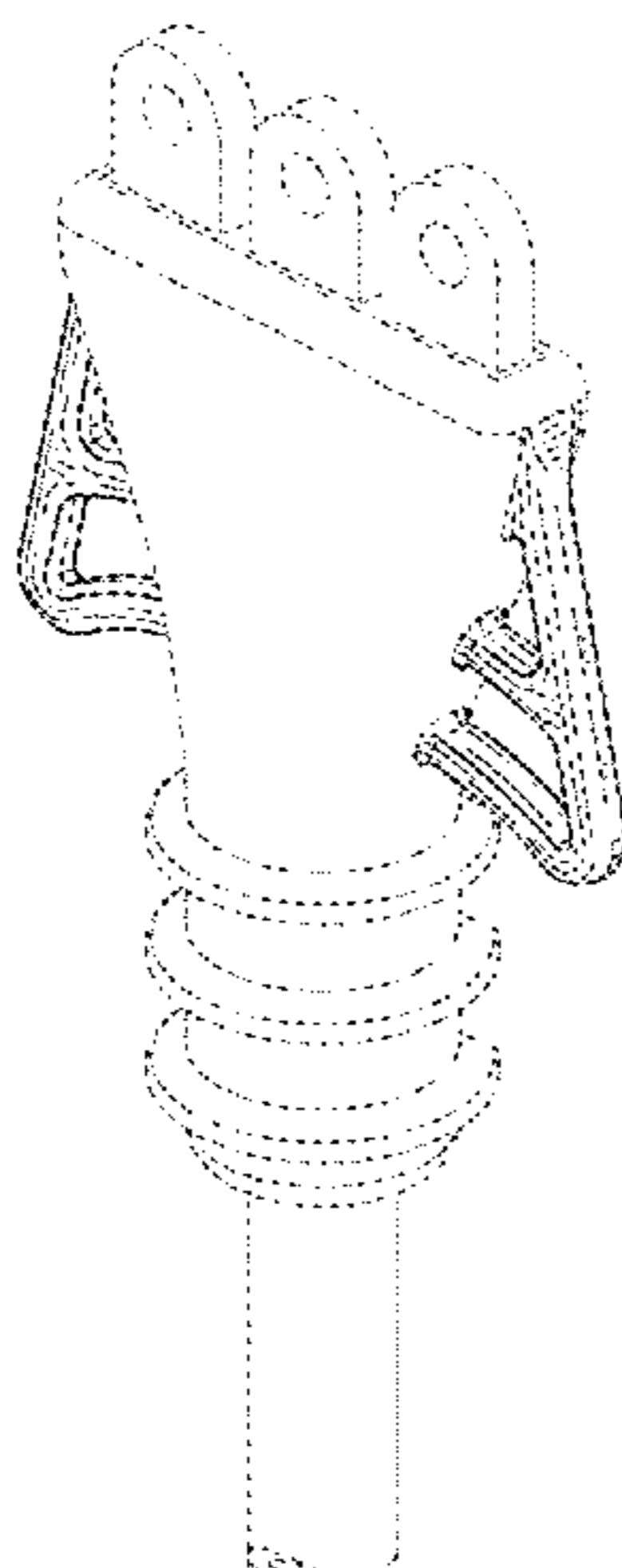
FIG. 8 is a right side elevation view of the tip receptor mount for lightning protection systems of FIG. 1;

FIG. 9 is a front elevation view of the tip receptor mount for lightning protection systems of FIG. 1; and,

FIG. 10 is a rear elevation view of the tip receptor mount for lightning protection systems of FIG. 1.

The ornamental design that is claimed is shown in solid lines in the drawings. The broken lines in the drawings are for illustrative purposes only and form no part of the claimed design. Any dash-dash broken lines in the drawings are included to illustrate unclaimed surfaces or environment of

(Continued)



the claimed design. Any dash-dot-dash broken lines in the drawings are included to define unclaimed boundaries of the claimed design.

1 Claim, 4 Drawing Sheets

(58) **Field of Classification Search**

USPC D10/119.1, 121, 125, 126, 132; D13/123,
D13/133, 146, 147, 148, 149, 153, 154,
D13/156, 158, 183; D8/72, 79, 80, 382,
D8/394, 499
CPC H04M 11/02; H04M 11/025; F03D 80/30;
H01R 13/00; H01R 13/52; H01R 13/63;
H01R 13/424; H01R 13/436
See application file for complete search history.

(56) **References Cited**

U.S. PATENT DOCUMENTS

D411,829 S * 7/1999 Pancheri D13/147
D434,377 S 11/2000 Bussett et al.
6,457,943 B1 10/2002 Olsen et al.
6,565,262 B2 * 5/2003 Childers G02B 6/3869
385/76
D478,048 S 8/2003 Garver
D483,332 S * 12/2003 Verfuerrth D13/147
D492,652 S 7/2004 McCoy
6,979,179 B2 12/2005 Moller Larsen
7,040,864 B2 5/2006 Johansen et al.
D530,671 S * 10/2006 Reed D13/147
D590,346 S 4/2009 Wu et al.
7,651,320 B2 1/2010 Hansen
D612,336 S 3/2010 Bodwell et al.
D619,100 S * 7/2010 Larson D13/154
7,766,620 B2 8/2010 Stam et al.
7,883,321 B2 2/2011 Bertelsen
7,896,616 B2 3/2011 Livingston et al.
7,942,640 B2 5/2011 Hiremath et al.
8,133,031 B2 3/2012 Arinaga et al.
D658,130 S 4/2012 Bodwell et al.
8,177,509 B2 5/2012 Hansen
8,182,227 B2 5/2012 Jacobsen et al.
8,191,255 B2 6/2012 Kristensen et al.
8,221,007 B2 * 7/2012 Peterhans G02B 6/3893
385/53
D677,627 S 3/2013 Dobler
8,430,631 B2 4/2013 Olsen
8,517,681 B2 8/2013 Naka et al.
8,562,296 B2 10/2013 Arocena De La Rua et al.
8,632,306 B2 1/2014 Olsen
8,727,723 B2 5/2014 Flemming et al.

8,734,110 B2 5/2014 Kuroiwa et al.
D708,142 S 7/2014 Luther et al.
8,888,454 B2 11/2014 Hansen
8,896,980 B2 11/2014 Kristensen et al.
D741,803 S 10/2015 Davidson, Jr.
D741,806 S 10/2015 Davidson, Jr.
9,169,826 B2 10/2015 Muto
D775,590 S 1/2017 Smith
D777,110 S 1/2017 Ferretti et al.
D825,488 S * 8/2018 Katagiyama D13/156
D826,866 S * 8/2018 Fawcett D13/153
D830,304 S * 10/2018 Choi D13/133
D852,756 S * 7/2019 Huang G02B 6/3893
D13/154
D852,757 S * 7/2019 Huang D13/154
D853,335 S * 7/2019 Huang G02B 6/3869
D13/154

2007/0081900 A1 4/2007 Nies
2009/0053062 A1 2/2009 Arinaga et al.
2009/0196751 A1 8/2009 Jacobsen et al.
2010/0090472 A1 4/2010 Berthelsen
2012/0020791 A1 1/2012 Flemming et al.
2014/0112787 A1 4/2014 Bracht et al.
2014/0118177 A1 5/2014 Appleton
2014/0271190 A1 9/2014 Hansen
2014/0301857 A1 10/2014 Richers et al.
2015/0167642 A1 6/2015 Hansen
2015/0292487 A1 10/2015 Ohlerich
2015/0308415 A1 10/2015 Rajasingam et al.
2015/0377217 A1 12/2015 Sandercock et al.
2016/0090963 A1 3/2016 Hoffmann et al.
2016/0090968 A1 3/2016 Hansen

FOREIGN PATENT DOCUMENTS

CN 202645840 U 1/2013
CN 203098162 U 7/2013
CN 203925891 U 11/2014
EP 2930355 A1 10/2015
JP 2015132245 A 7/2015
JP 2015161283 A 9/2015
WO 2011080177 A1 7/2011
WO 2012076168 A2 6/2012
WO 2014200333 A2 12/2014
WO 2015055213 A1 4/2015
WO 2015055214 A1 4/2015
WO 2015055215 A1 4/2015
WO 2015124365 A1 8/2015

OTHER PUBLICATIONS

Erico Blade Surface Receptor Assembly; retrieved from U.S. Patent Office; U.S. Appl. No. 29/564,598; 1 page.

* cited by examiner

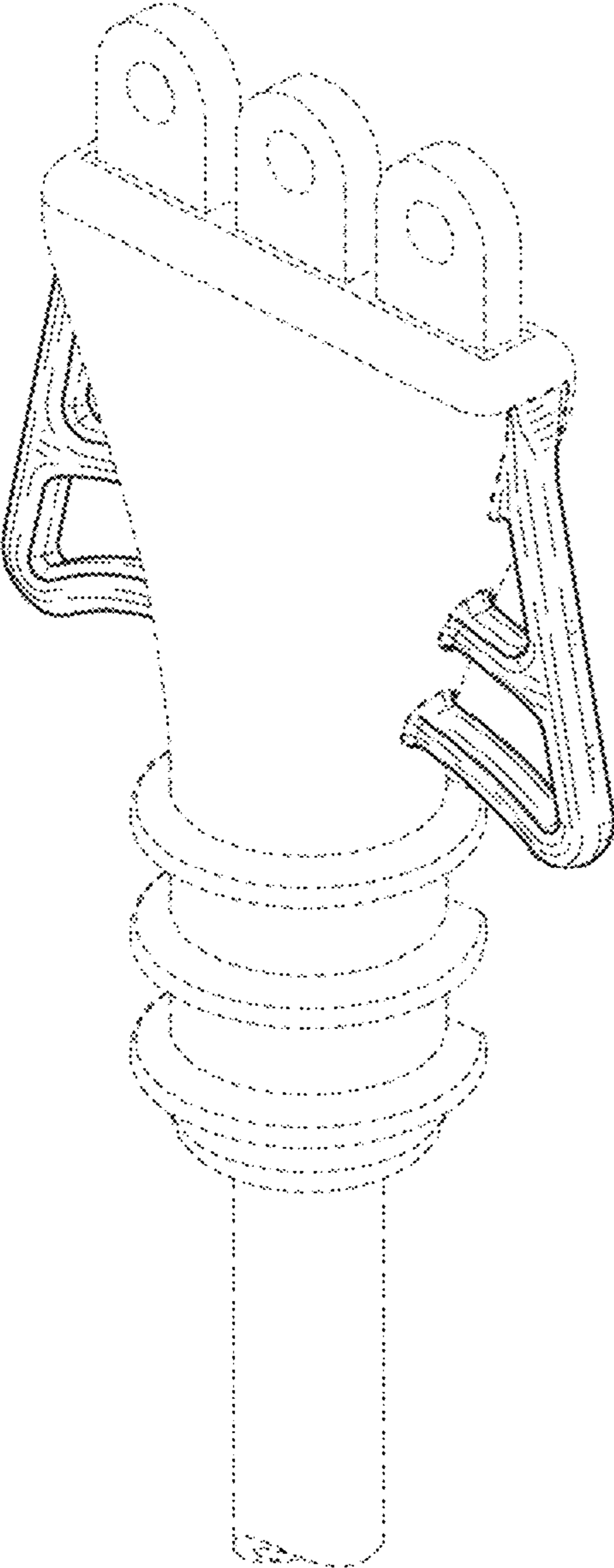


FIG. 1

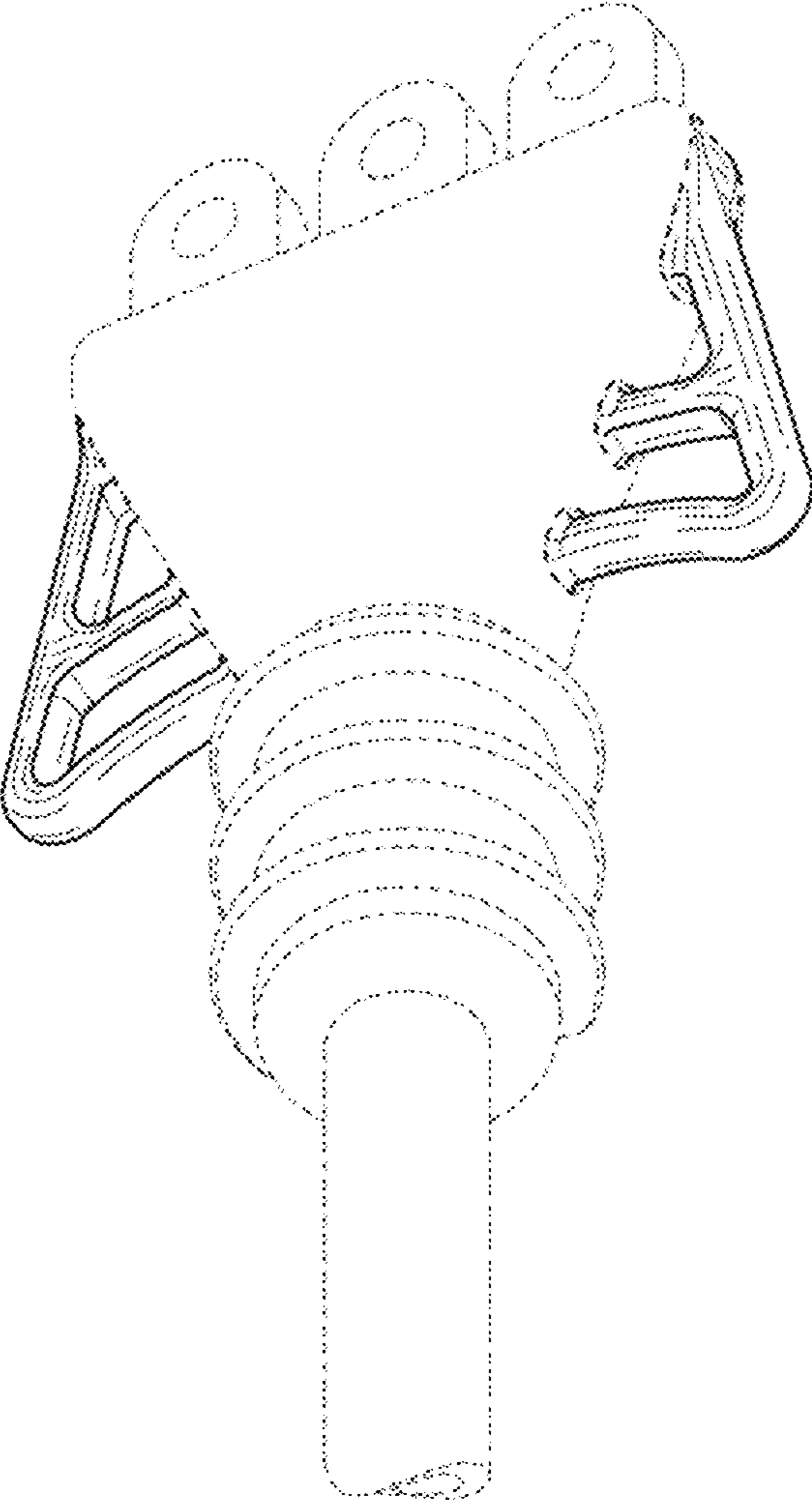


FIG. 2

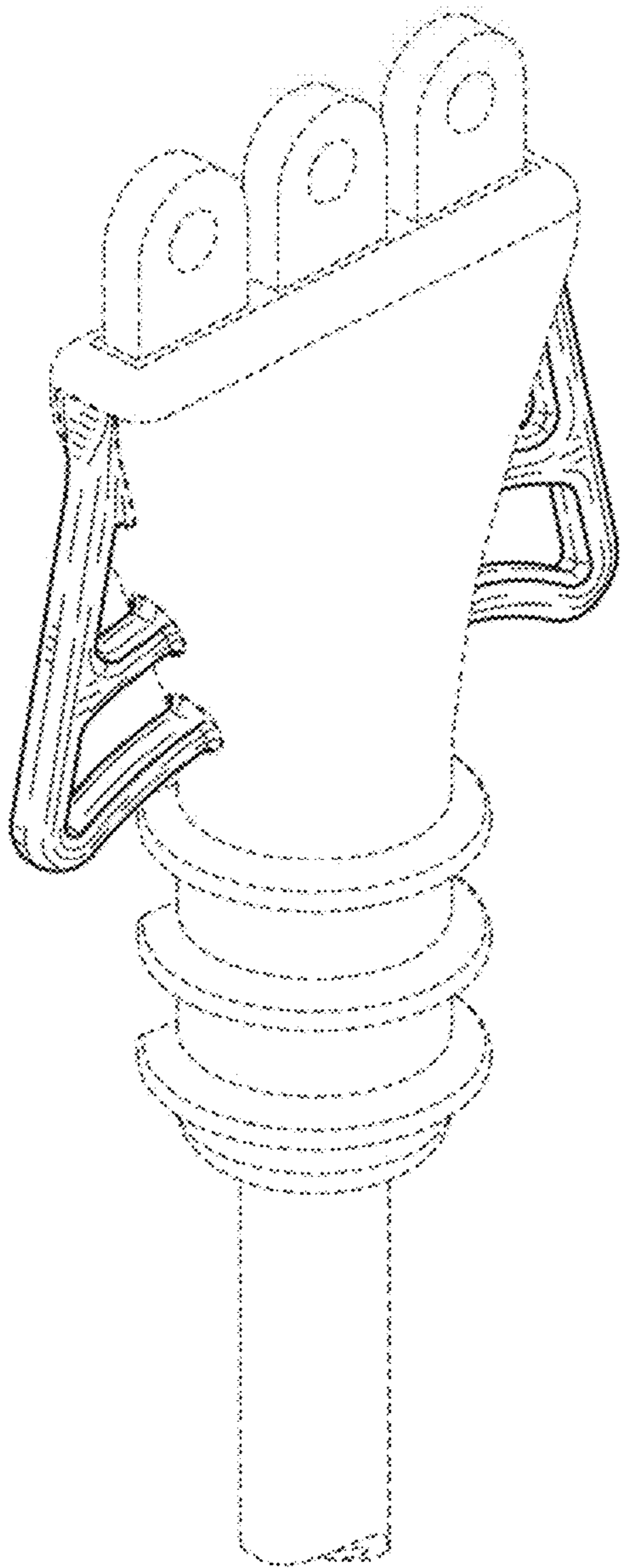


FIG. 3

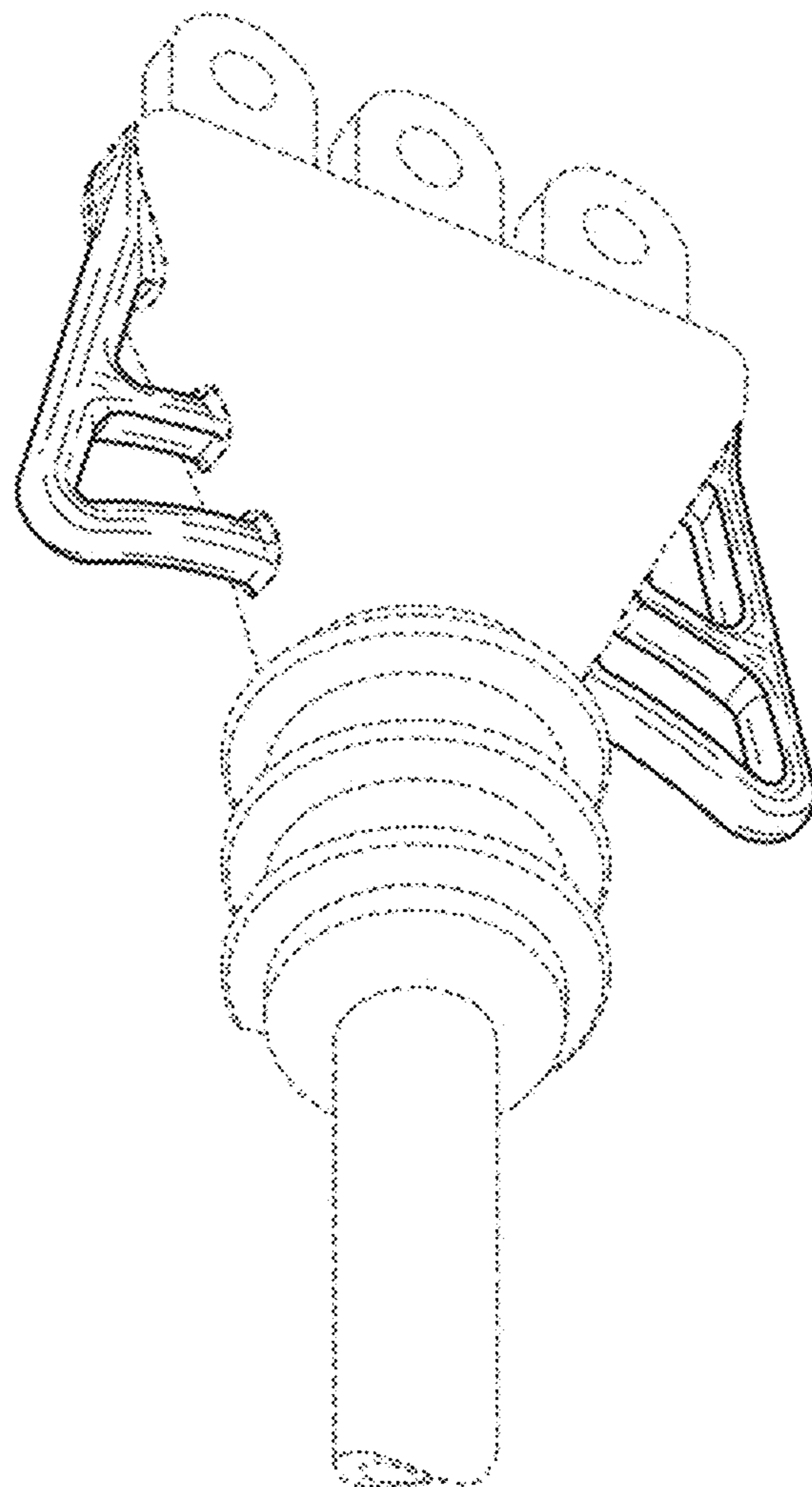


FIG. 4

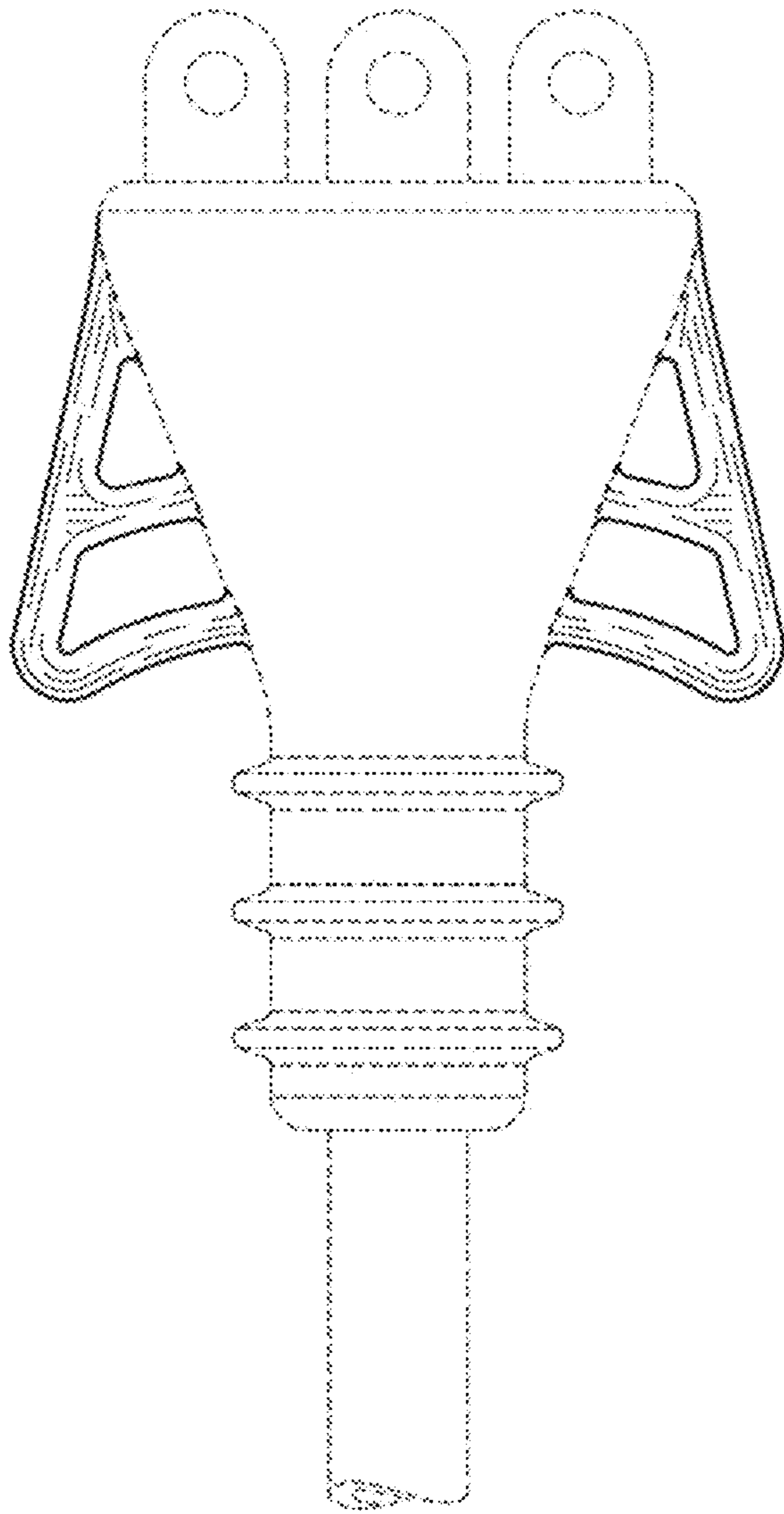


FIG. 5

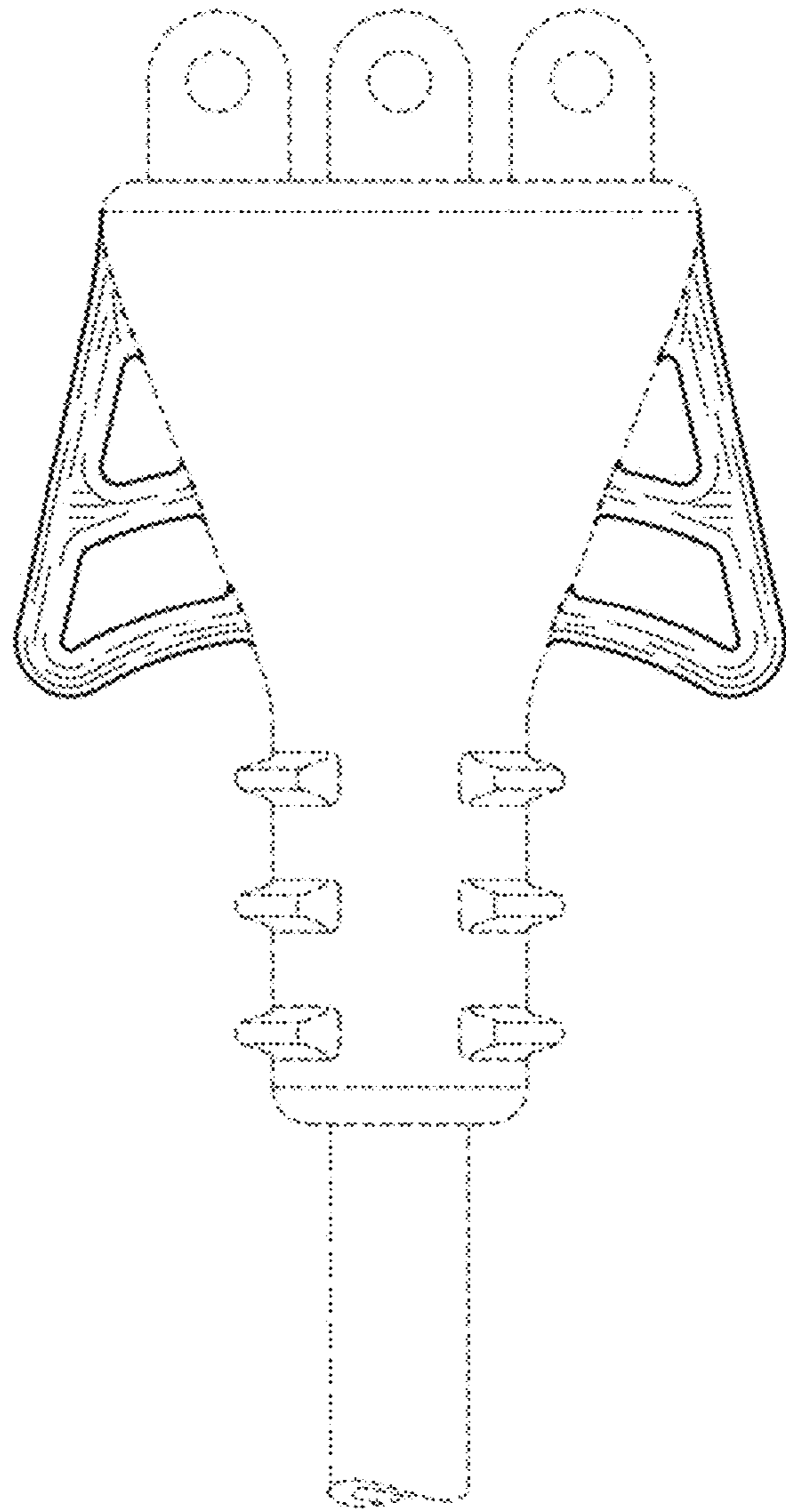


FIG. 6

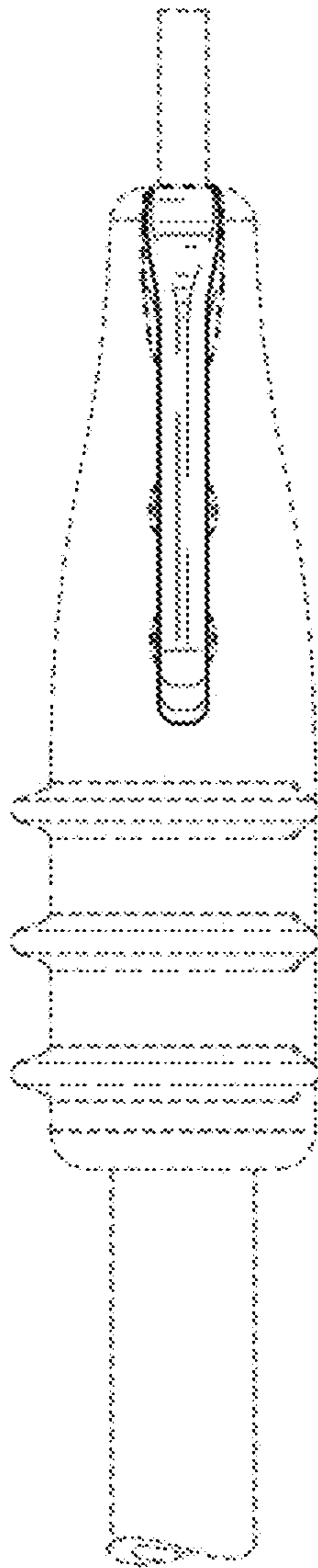


FIG. 7

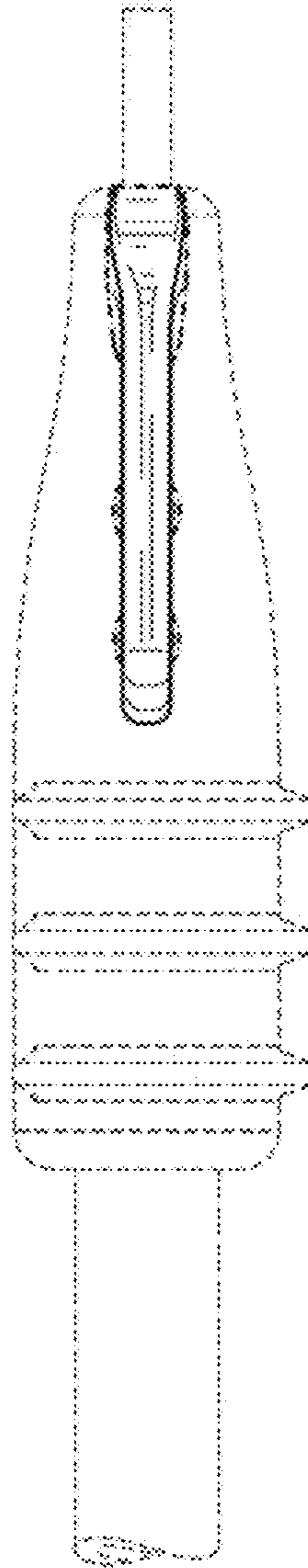


FIG. 8

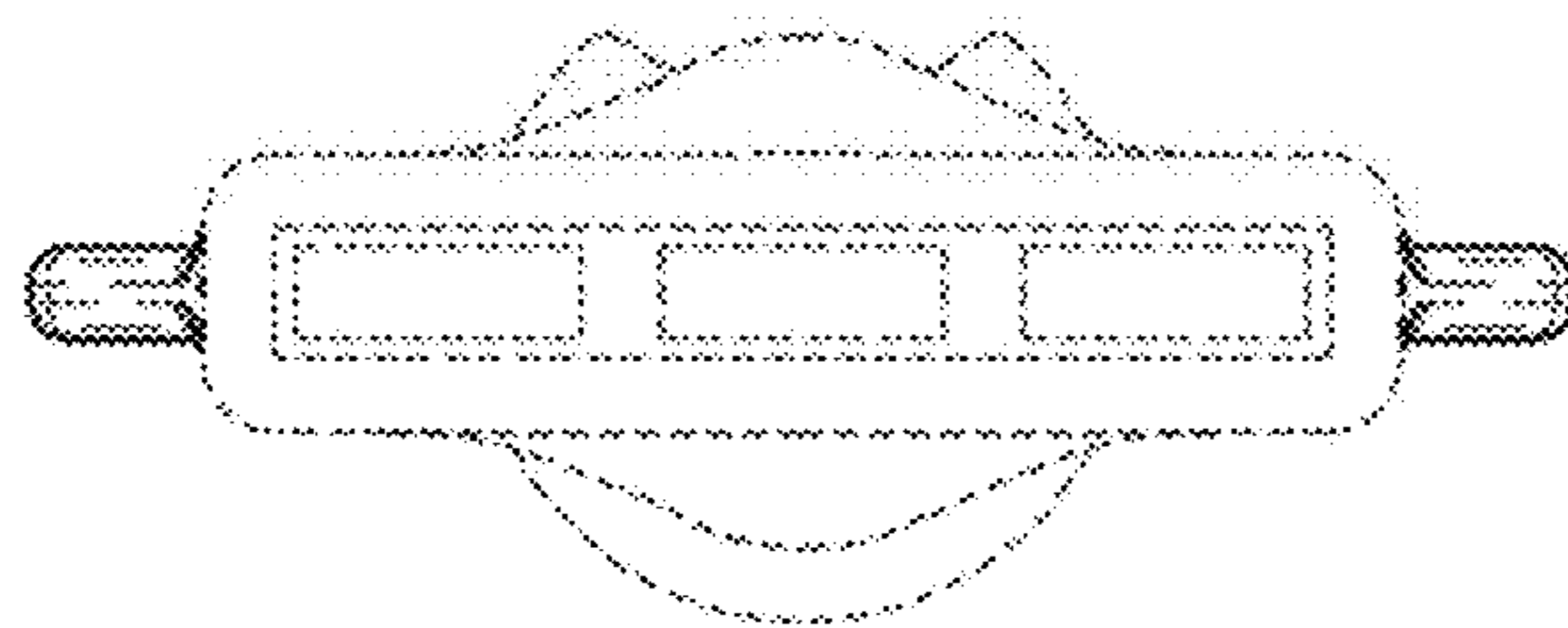


FIG. 9

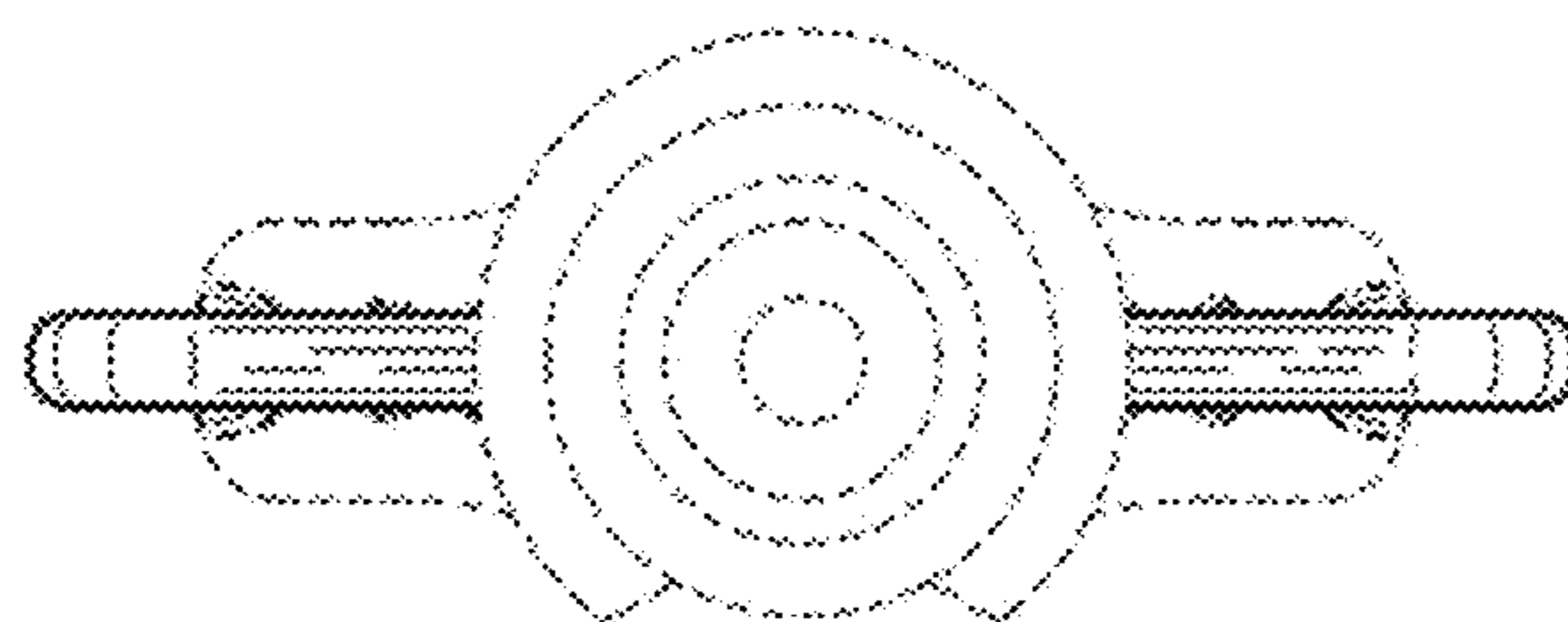


FIG. 10