



US00D881135S

(12) **United States Design Patent** (10) **Patent No.:** **US D881,135 S**
Zhang et al. (45) **Date of Patent:** **** Apr. 14, 2020**

(54) **CABLE MANAGEMENT SYSTEM**

(71) Applicant: **General Electric Company**,
Schenectady, NY (US)
(72) Inventors: **Wei Zhang**, Beijing (CN); **Jun Hou**,
Shanghai (CN); **Ryan Walter Rindy**,
Oregon, WI (US)
(73) Assignee: **General Electric Company**,
Schenectady, NY (US)
(**) Term: **15 Years**

(21) Appl. No.: **29/627,100**
(22) Filed: **Nov. 22, 2017**
(51) **LOC (12) Cl.** **13-03**
(52) **U.S. Cl.**
USPC **D13/155**
(58) **Field of Classification Search**
USPC D13/155, 151, 153, 154, 156, 157, 184,
D13/199; D8/349, 354, 356, 394;
D24/185, 160
CPC H02G 3/045; H02G 3/0487; H02G 3/26;
H02G 5/06
See application file for complete search history.

(56) **References Cited**
U.S. PATENT DOCUMENTS
5,906,598 A * 5/1999 Giesler A61M 5/1411
206/564
5,919,154 A * 7/1999 Toavs A61M 1/3624
604/4.01
6,035,517 A * 3/2000 Moore H01R 43/28
174/481

(Continued)
FOREIGN PATENT DOCUMENTS
CN 102640027 A 8/2012
CN 102762068 A 10/2012
(Continued)

OTHER PUBLICATIONS

ISA State Intellectual Property Office of the People's Republic of
China, International Search Report and Written Opinion Issued in
Application No. PCT/CN2017/112264, Jul. 31, 2018, WIPO, 9
pages.

(Continued)

Primary Examiner — Derrick E Holland
Assistant Examiner — Jennifer O King
(74) *Attorney, Agent, or Firm* — McCoy Russell LLP

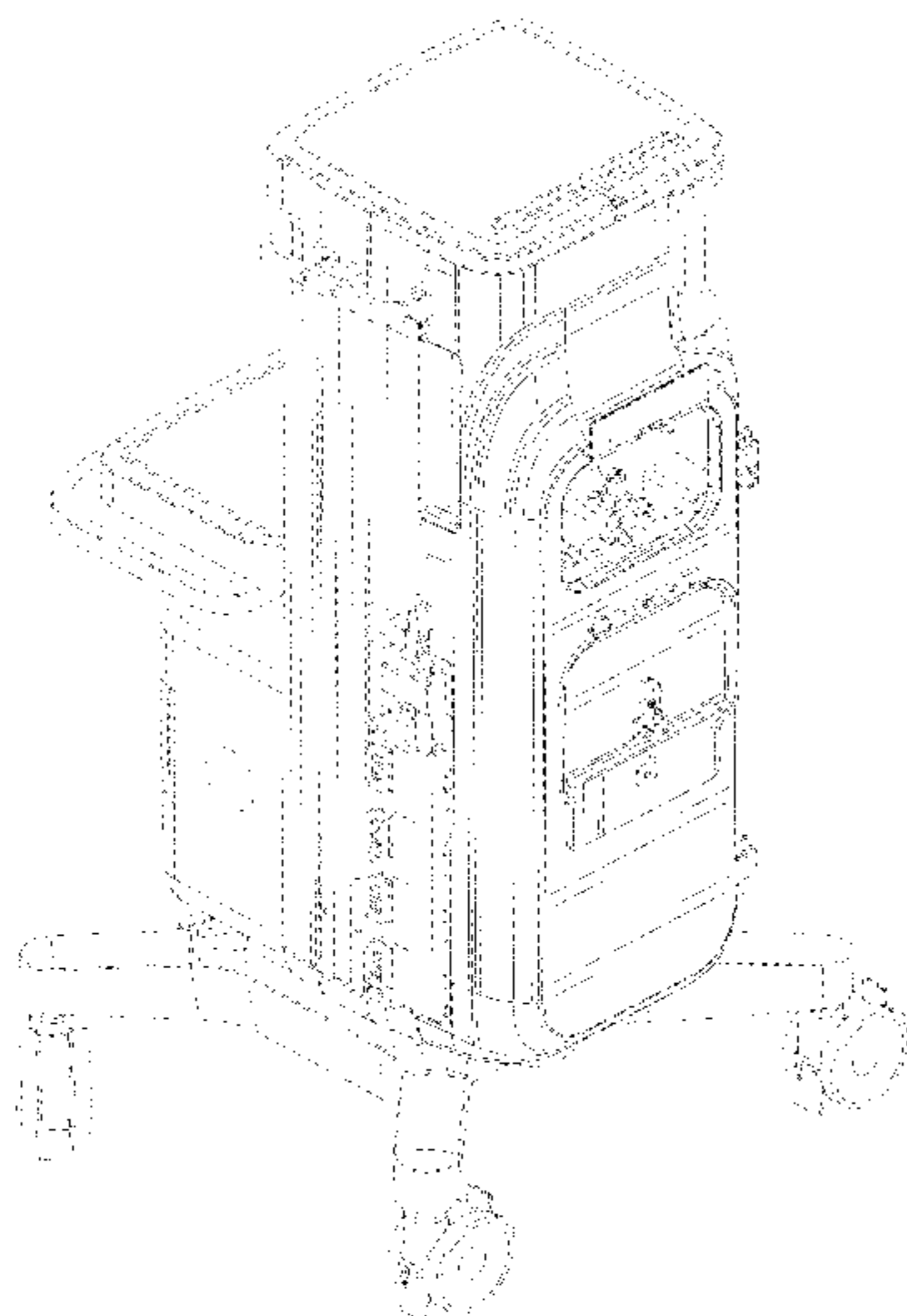
(57) **CLAIM**

The ornamental design for a cable management system, as
shown and described.

DESCRIPTION

FIG. 1 is a back perspective view of a cable management
system showing the cylinder check access door in an open
position;
FIG. 2 is a front view thereof;
FIG. 3 is a back view thereof;
FIG. 4 is a left side view thereof;
FIG. 5 is a right side view thereof;
FIG. 6 is a top view thereof; and
FIG. 7 is a bottom view thereof;
FIG. 8 is a back perspective view of the cable management
system showing the cylinder check access door in a closed
position, for ease of illustration;
FIG. 9 is a front view thereof;
FIG. 10 is a back view thereof;
FIG. 11 is a left side view thereof;
FIG. 12 is a right side view thereof;
FIG. 13 is a top view thereof; and,
FIG. 14 is a bottom view thereof.
The broken lines shown represent portions of the cable
management system that form no part of the claimed design.

1 Claim, 14 Drawing Sheets



(56)

References Cited

U.S. PATENT DOCUMENTS

D515,046 S * 2/2006 Kaprelian D13/184
D611,326 S * 3/2010 Alaniz D13/155
8,966,821 B2 * 3/2015 Walker E05D 7/1061
49/382
D735,868 S * 8/2015 Mareguddi D24/185
D836,781 S * 12/2018 Meurer D24/185
D840,335 S * 2/2019 Gleave D13/110
D852,962 S * 7/2019 Chang D24/185
2008/0099635 A1 5/2008 Laursen

FOREIGN PATENT DOCUMENTS

CN 106972431 A 7/2017
CN 107249277 A 10/2017

OTHER PUBLICATIONS

Zhang, W. et al., "An Ornamental Design for a Cable Management System," U.S. Appl. No. 29/627,092, filed Nov. 22, 2017, 17 pages.
Rindy, R. et al., "An Ornamental Design for a Cable Management Unit," U.S. Appl. No. 29/627,115, filed Nov. 22, 2017, 10 pages.

* cited by examiner

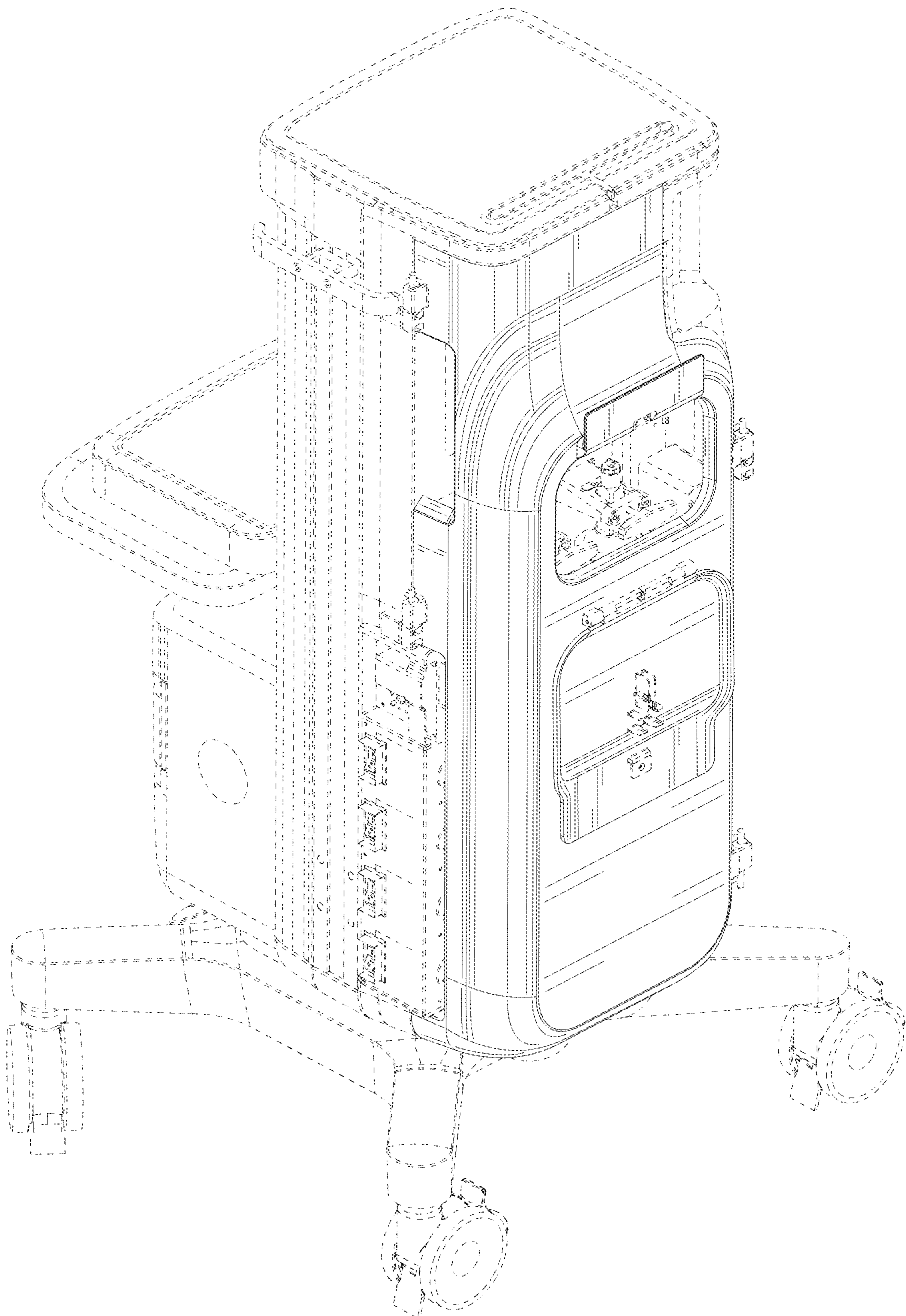


FIG. 1

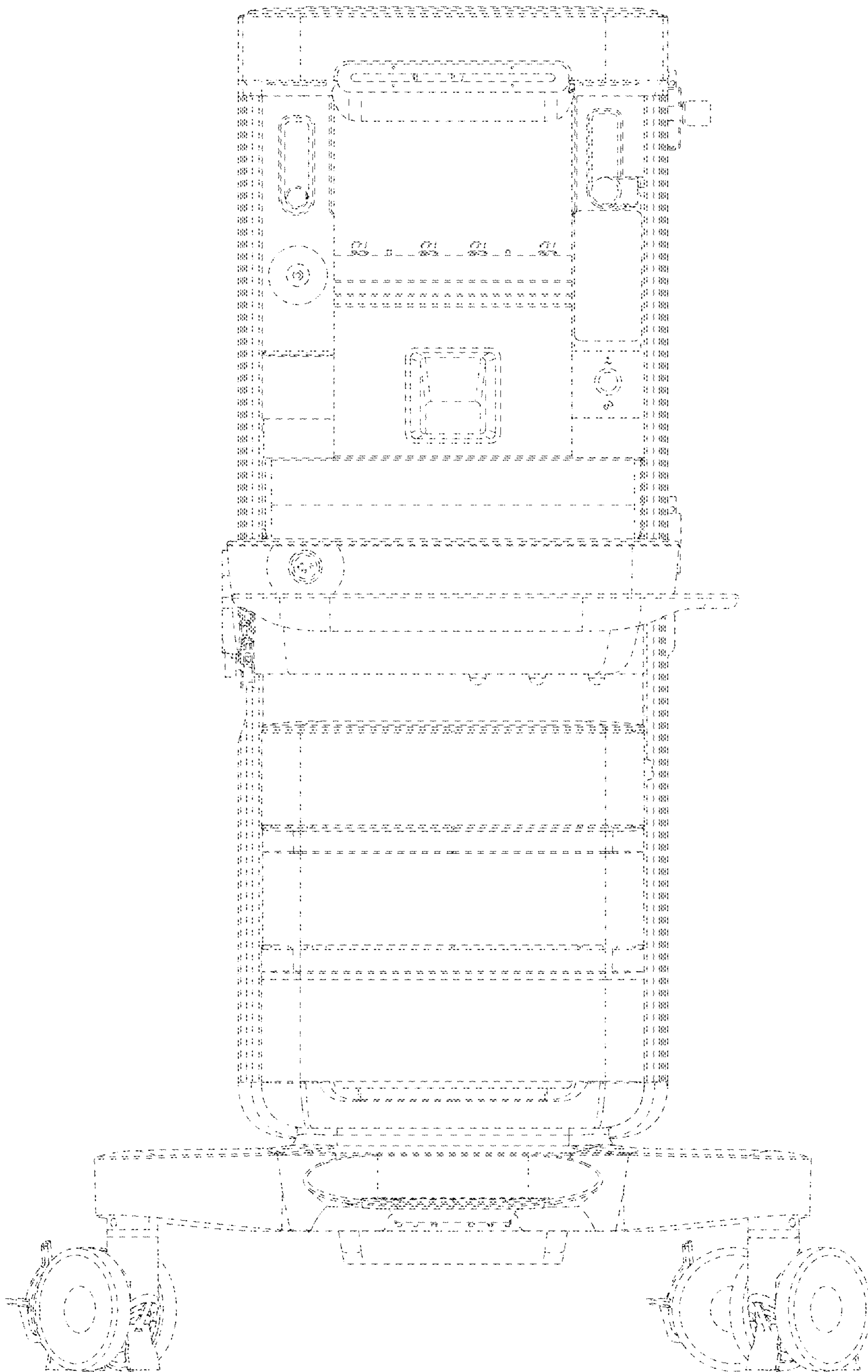


FIG. 2

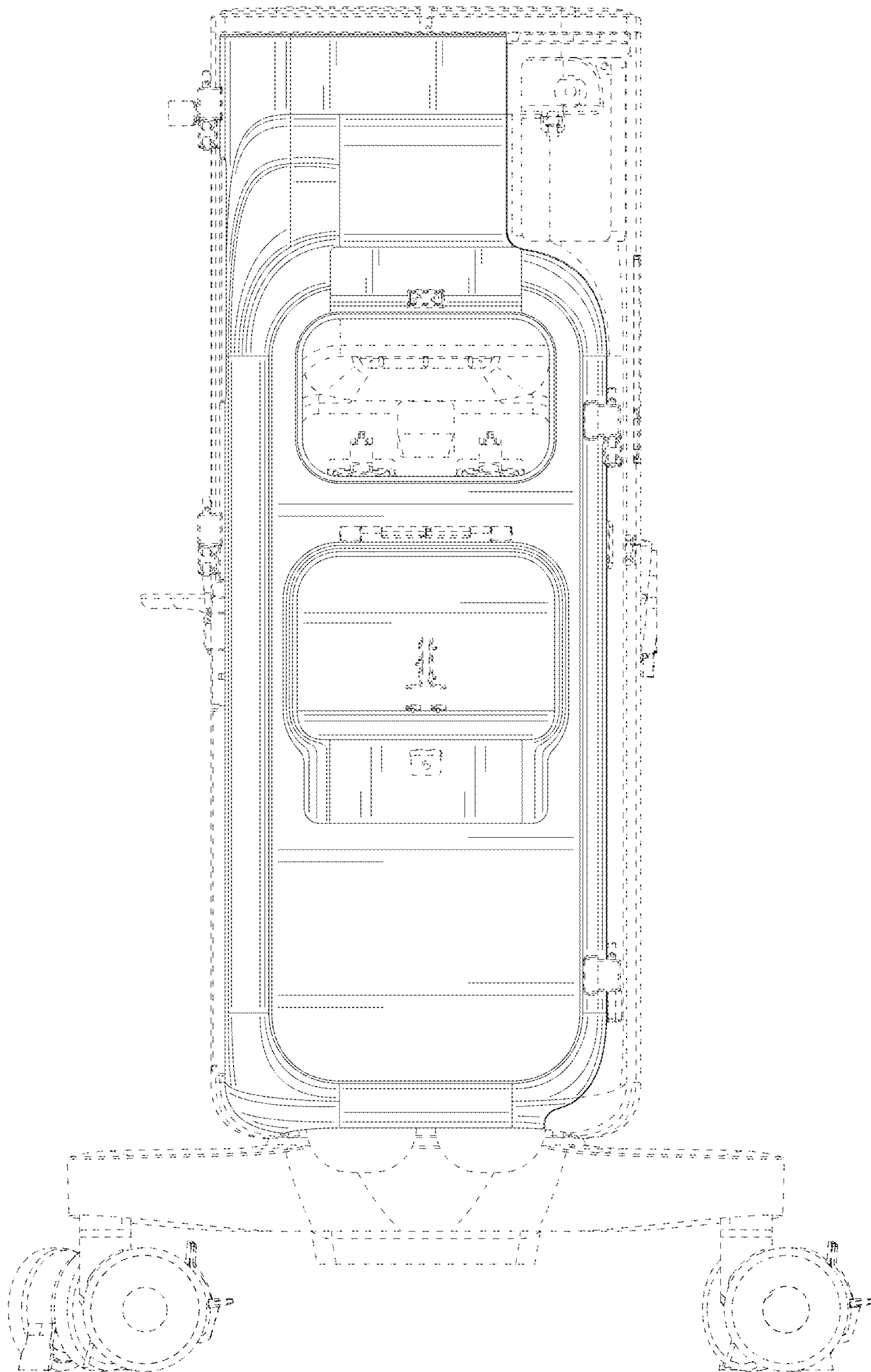


FIG. 3

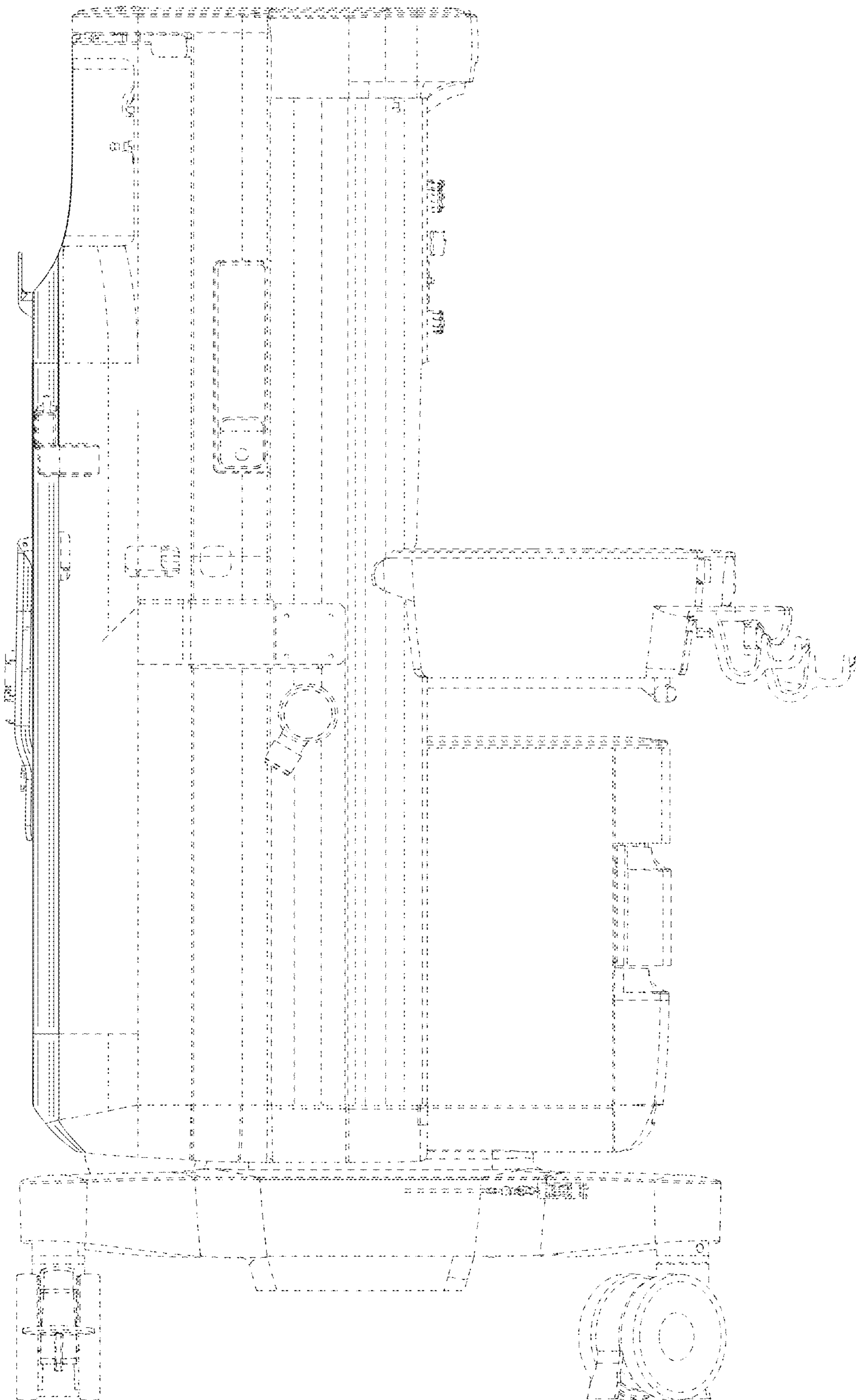


FIG. 4

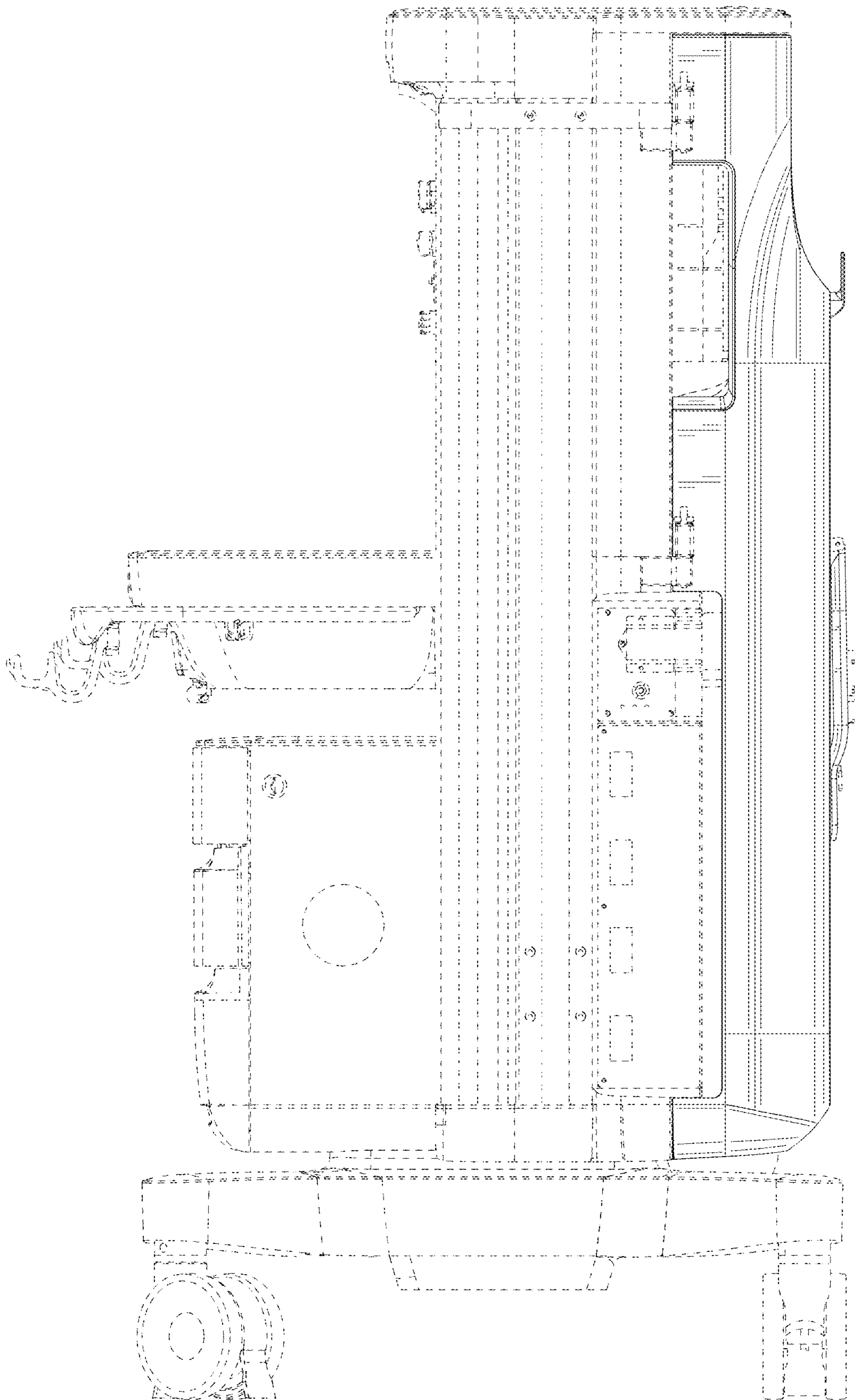


FIG. 5

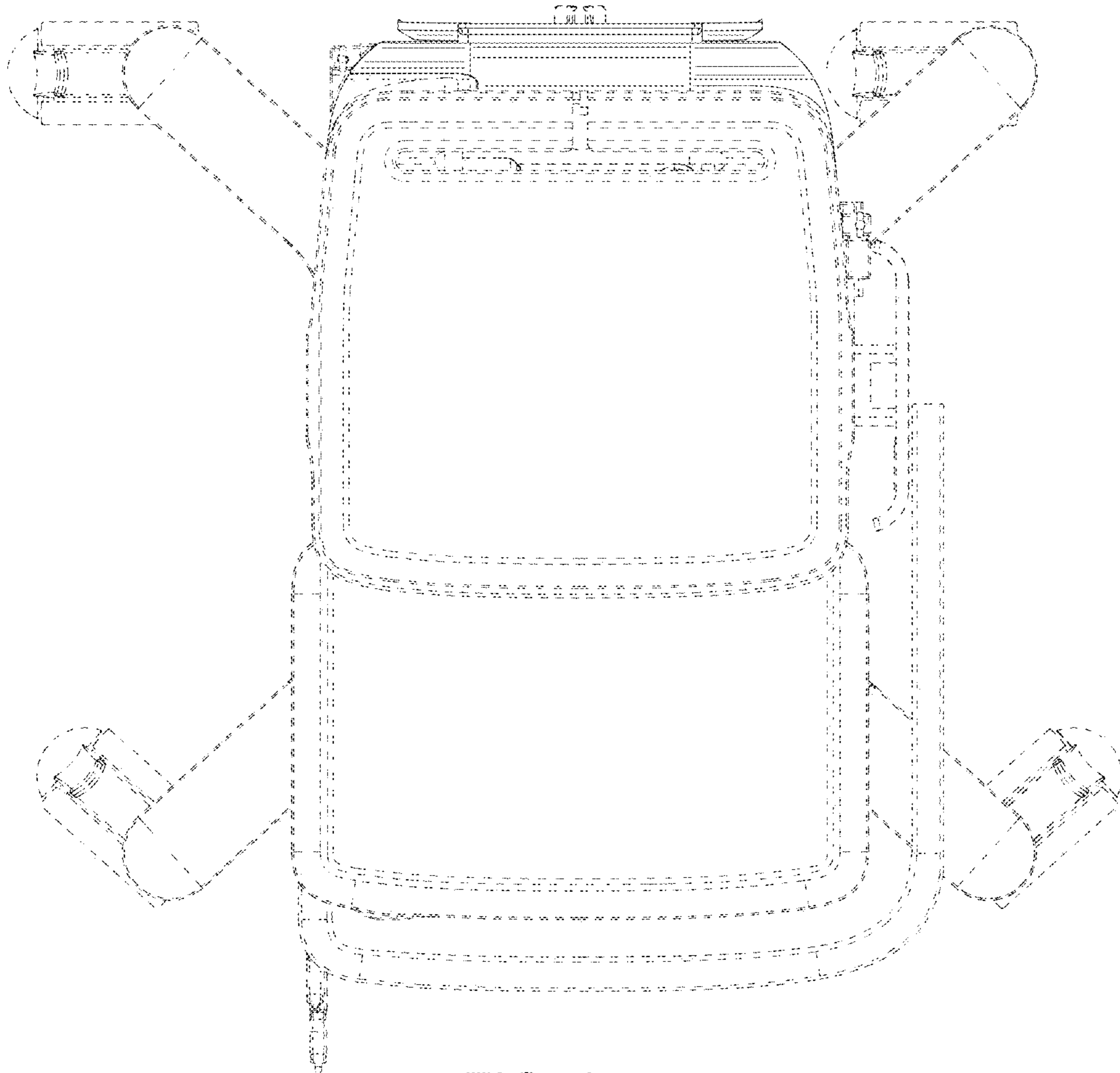


FIG. 6

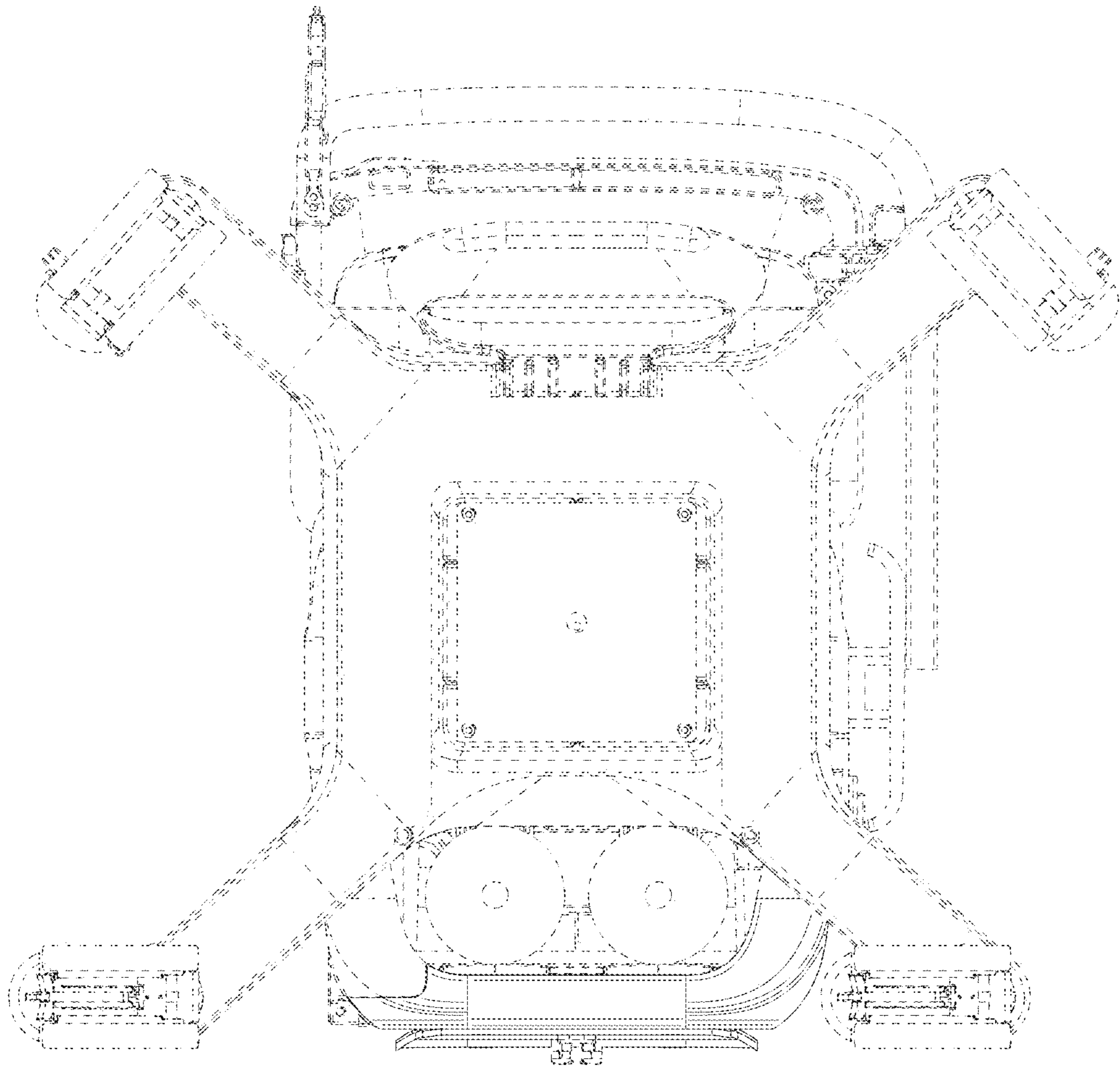


FIG. 7

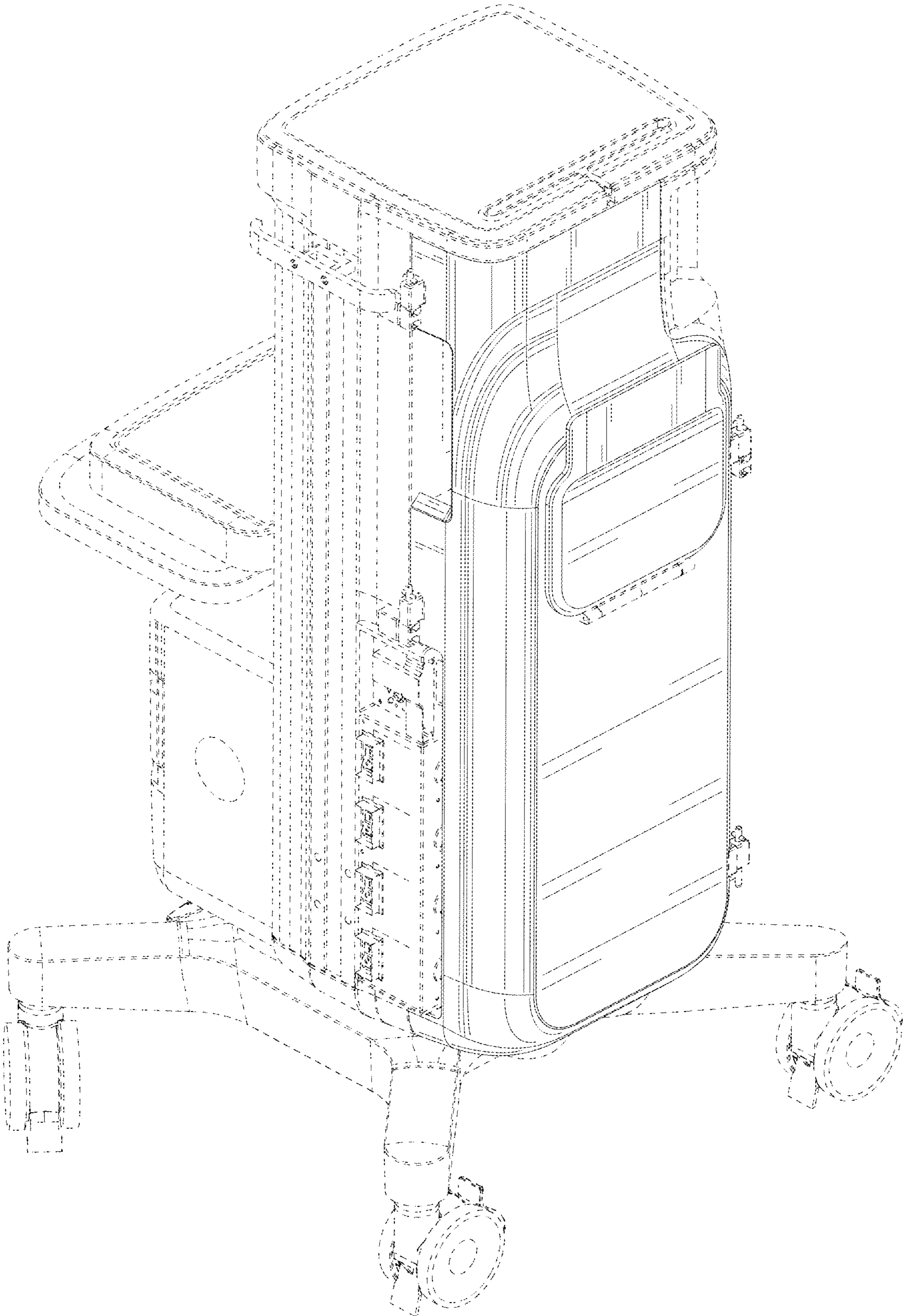


FIG. 8

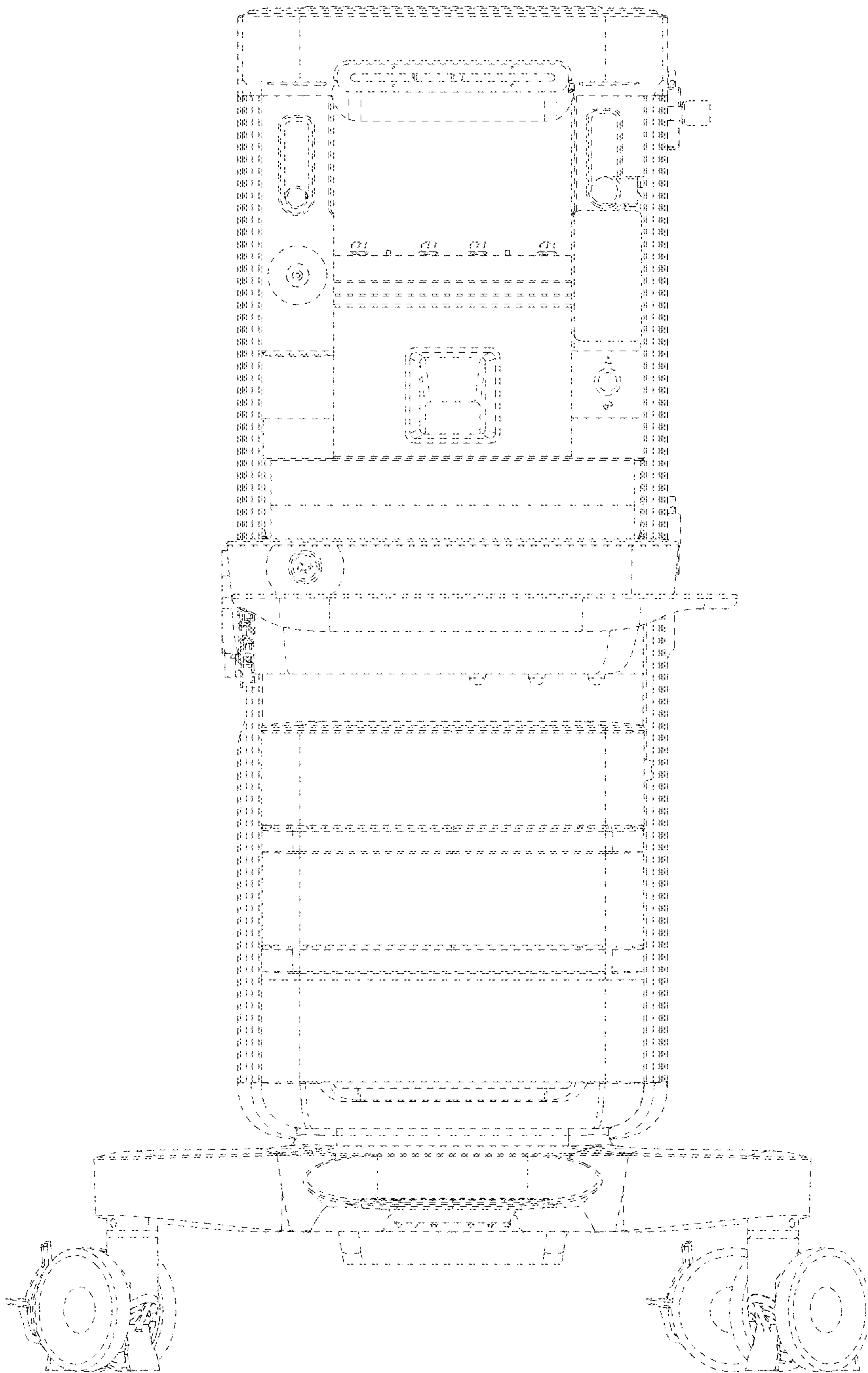


FIG. 9

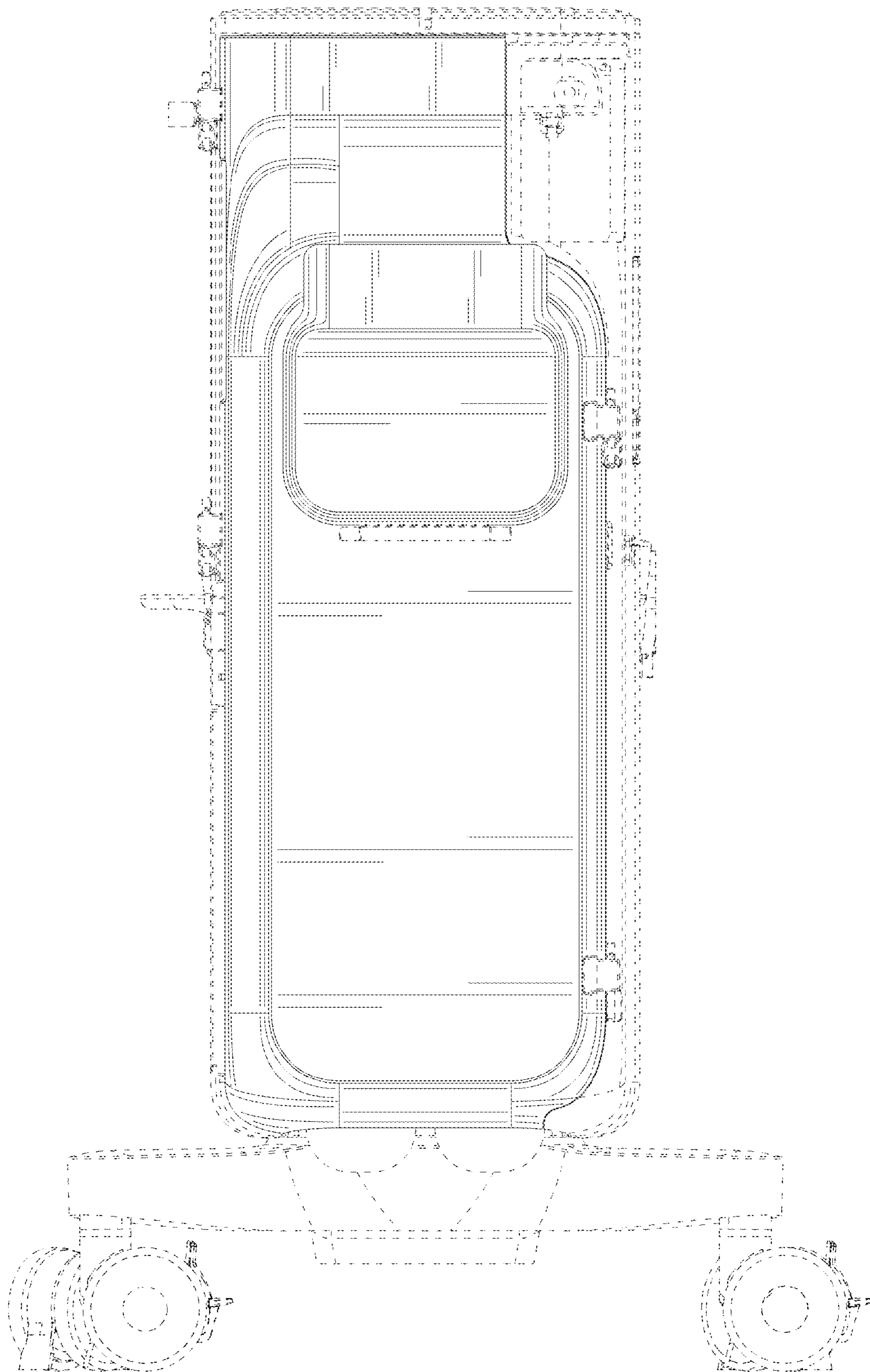


FIG. 10

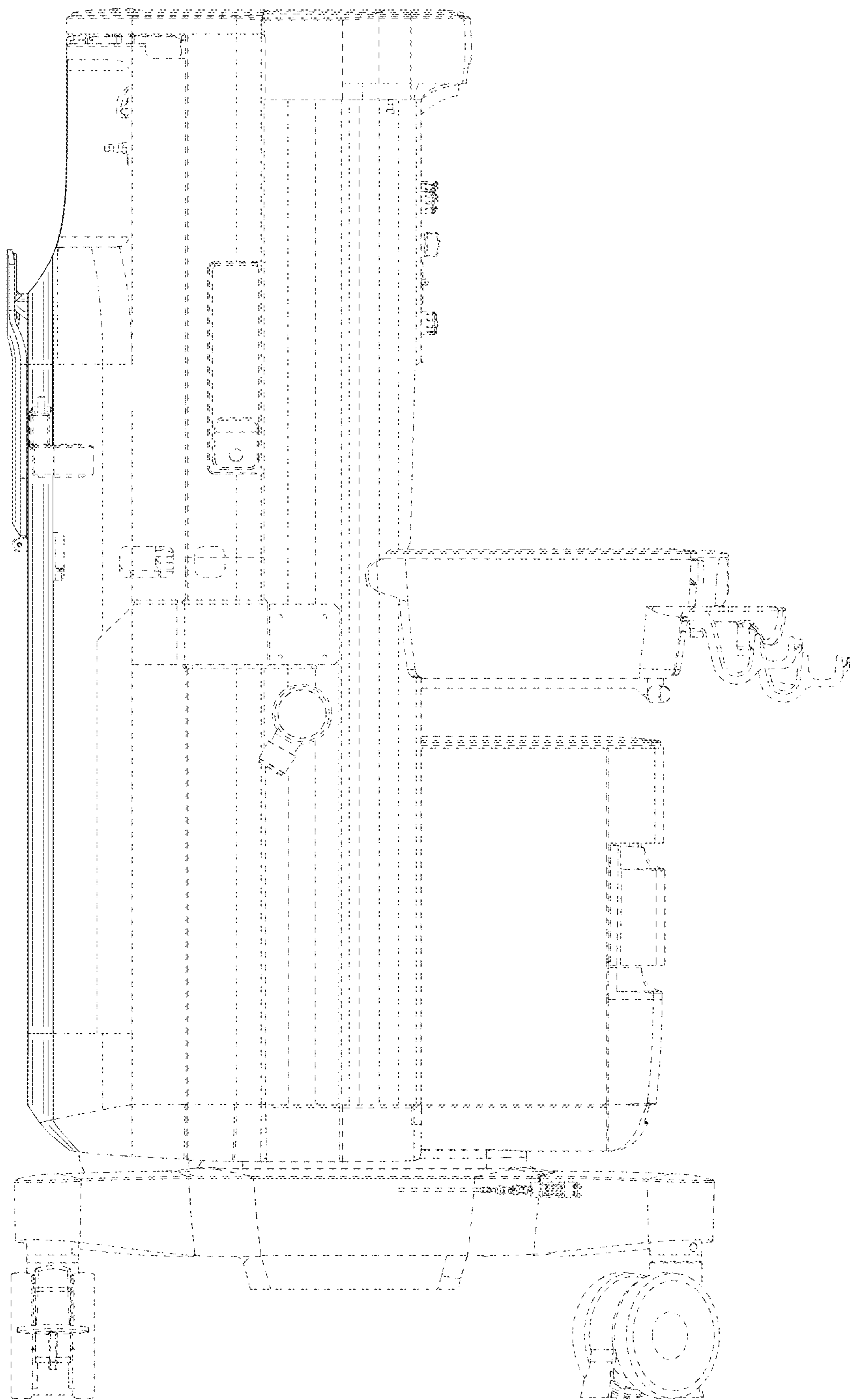


FIG. 11

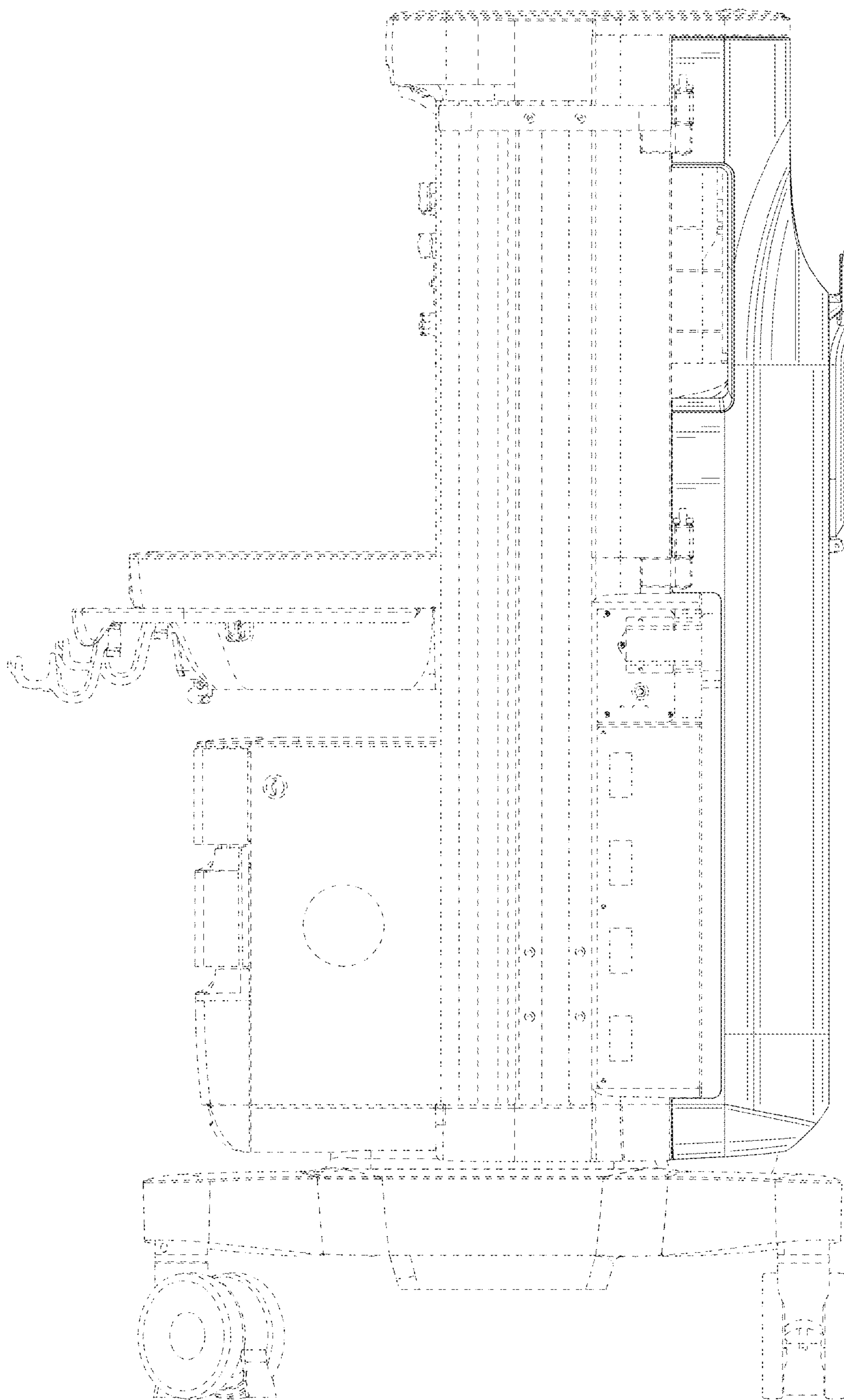


FIG. 12

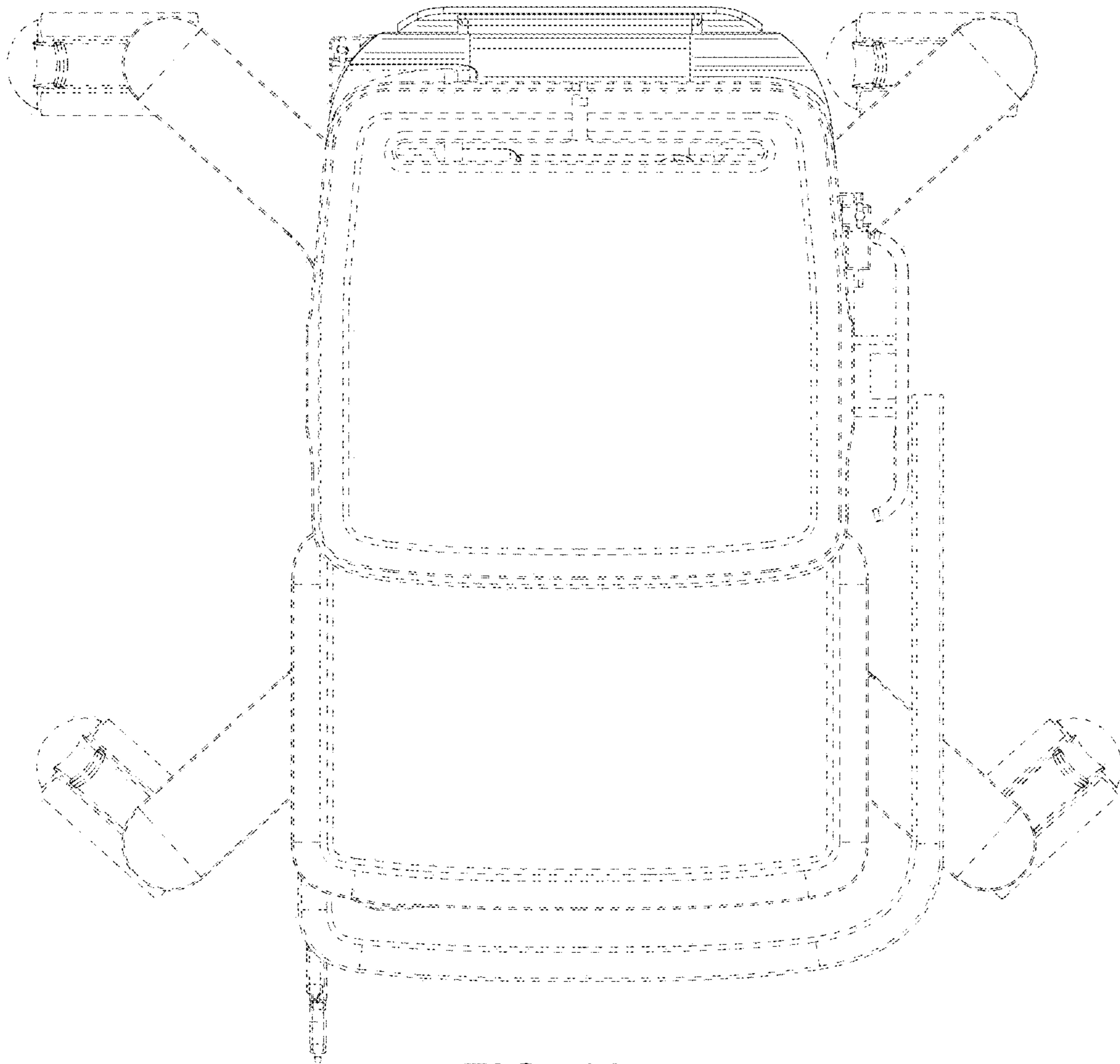


FIG. 13

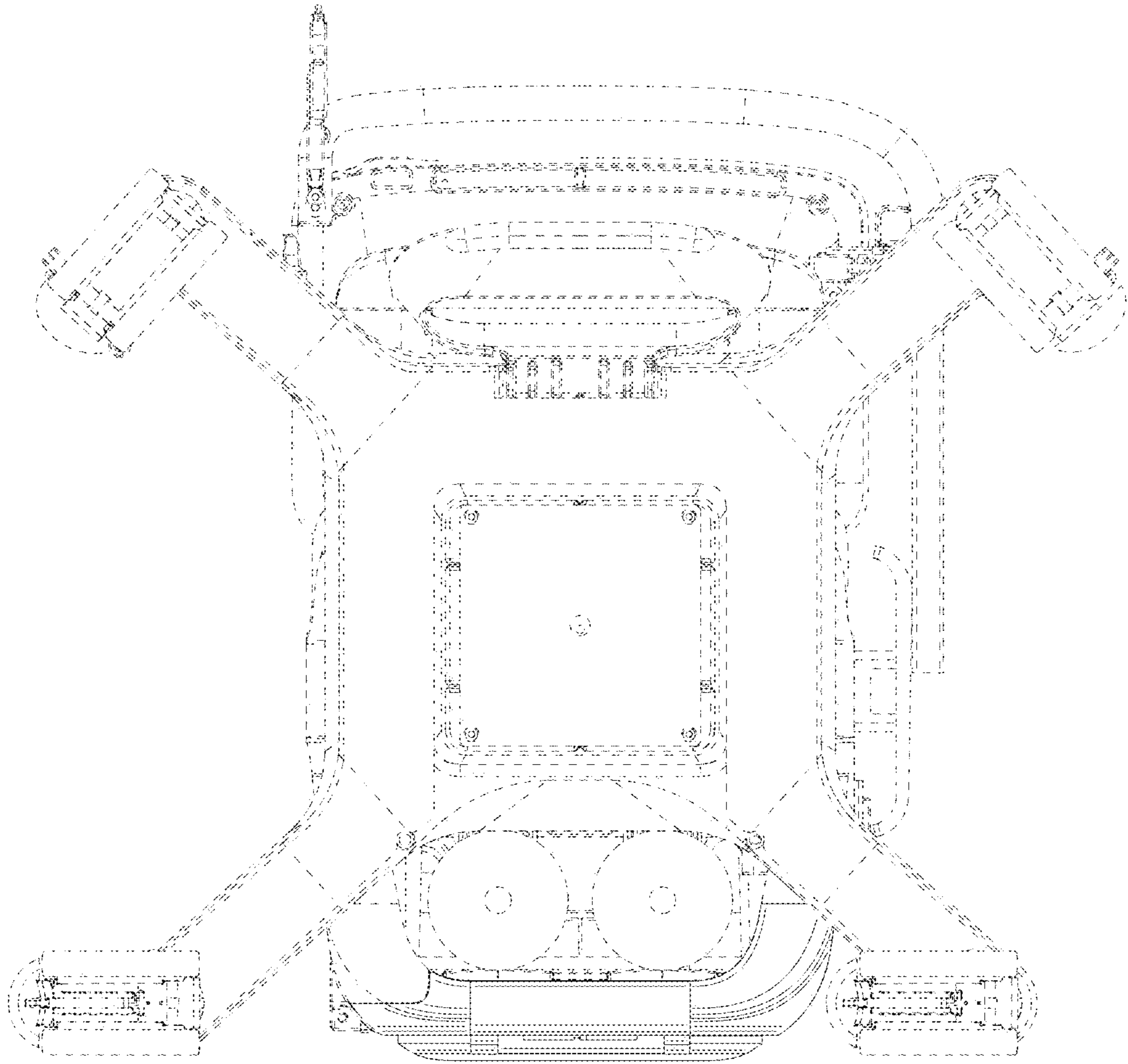


FIG. 14